



US00D936302S

(12) **United States Design Patent** (10) **Patent No.:** **US D936,302 S**
Gong (45) **Date of Patent:** **** Nov. 16, 2021**

(54) **PET DRYING BOX**

(71) Applicant: **Jian Gong**, Jinhua (CN)

(72) Inventor: **Jian Gong**, Jinhua (CN)

(**) Term: **15 Years**

(21) Appl. No.: **29/714,070**

(22) Filed: **Nov. 21, 2019**

(51) **LOC (13) Cl.** **30-99**

(52) **U.S. Cl.**

USPC **D30/158**; D30/108

(58) **Field of Classification Search**

USPC D30/108, 109, 118, 158, 159, 199;
119/600-620, 623-633; D3/201, 205,
D3/215, 216, 217, 226, 230, 231, 243,
D3/273, 274

CPC A01J 7/04; A01K 13/0001; A01K 13/00;
A01K 13/002; A01K 13/001; A45D
24/04; A45D 24/10; A45D 24/16; A45D
24/00; A45D 24/02; A45D 24/30; A61D
11/00

See application file for complete search history.

(56) **References Cited**

U.S. PATENT DOCUMENTS

D603,109 S * 10/2009 Kim D30/158
9,675,047 B2 * 6/2017 Carter A01K 13/001
10,426,139 B1 * 10/2019 Hill A01K 13/001
2004/0154093 A1 * 8/2004 Akhtar A61H 33/06
4/526
2012/0312246 A1 * 12/2012 Doumas A01K 13/001
119/606
2018/0077900 A1 * 3/2018 Kang A01K 13/001

2020/0100464 A1 * 4/2020 Kim A01K 15/04
2020/0100465 A1 * 4/2020 Kim A01K 13/001
2020/0100466 A1 * 4/2020 Kim A01K 13/001
2020/0113153 A1 * 4/2020 Yoo A01K 1/0052

OTHER PUBLICATIONS

“Pet Dryer” available Nov. 1, 2020, [online], [site visited May 19, 2021]. Retrieved from Internet, URL:https://web.archive.org/web/20201101015532/https://korean-products.com/2018/06/11/pet-dryer/ (Year: 2020).*

* cited by examiner

Primary Examiner — W. A. Teddy Falloway

Assistant Examiner — Katrina N Gonzalez

(74) *Attorney, Agent, or Firm* — Bayramoglu Law Offices LLC

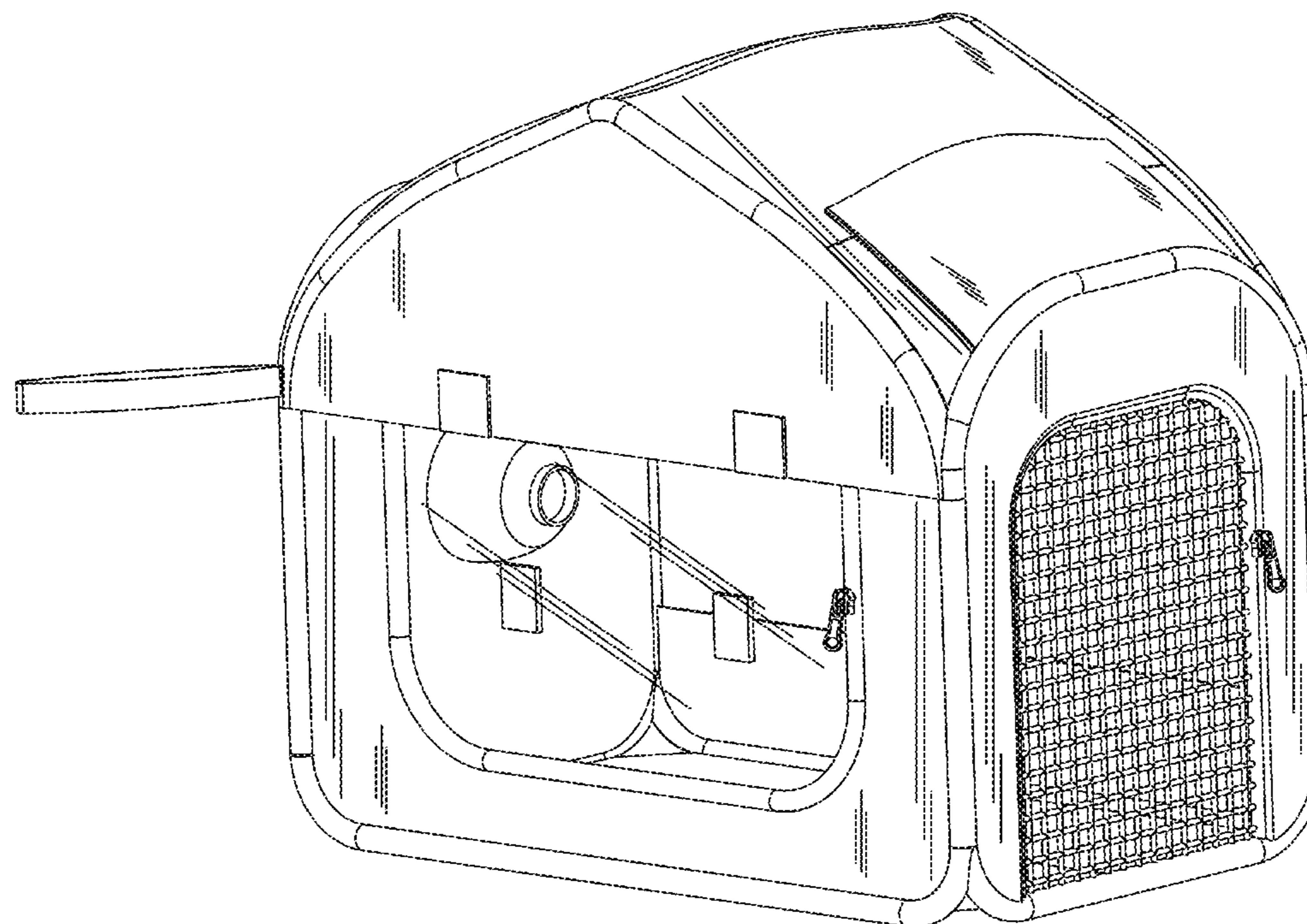
(57) **CLAIM**

The ornamental design for a pet drying box, as shown and described.

DESCRIPTION

FIG. 1 is a right and top perspective view of a pet drying box showing my new design;
FIG. 2 is a left and bottom perspective view of the pet drying box showing my new design;
FIG. 3 is a front elevational view thereof;
FIG. 4 is a rear elevational view thereof;
FIG. 5 is a left side elevational view thereof;
FIG. 6 is a right side elevational view thereof;
FIG. 7 is a top plan view thereof; and,
FIG. 8 is a bottom plan view thereof.

1 Claim, 8 Drawing Sheets



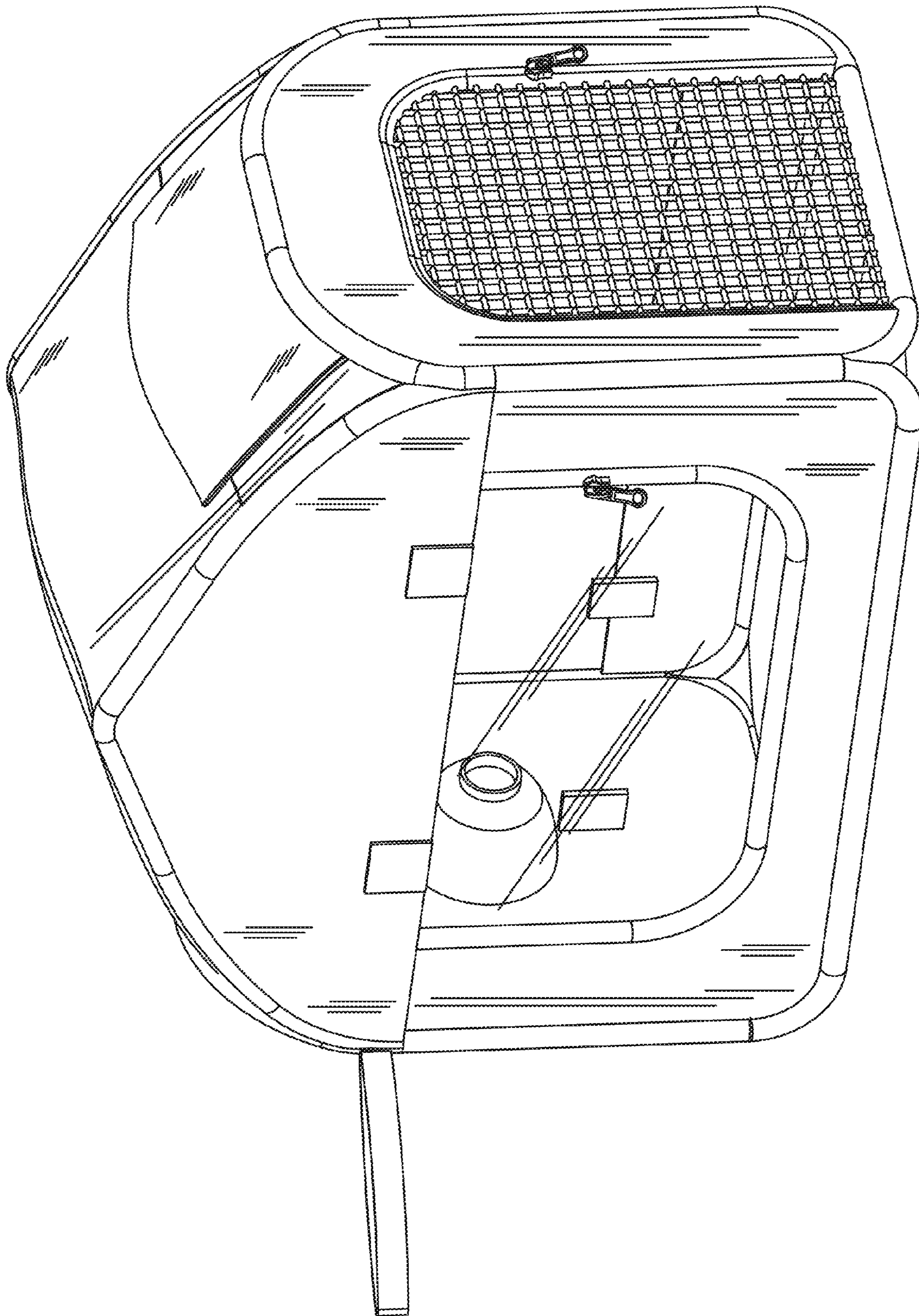


FIG. 1

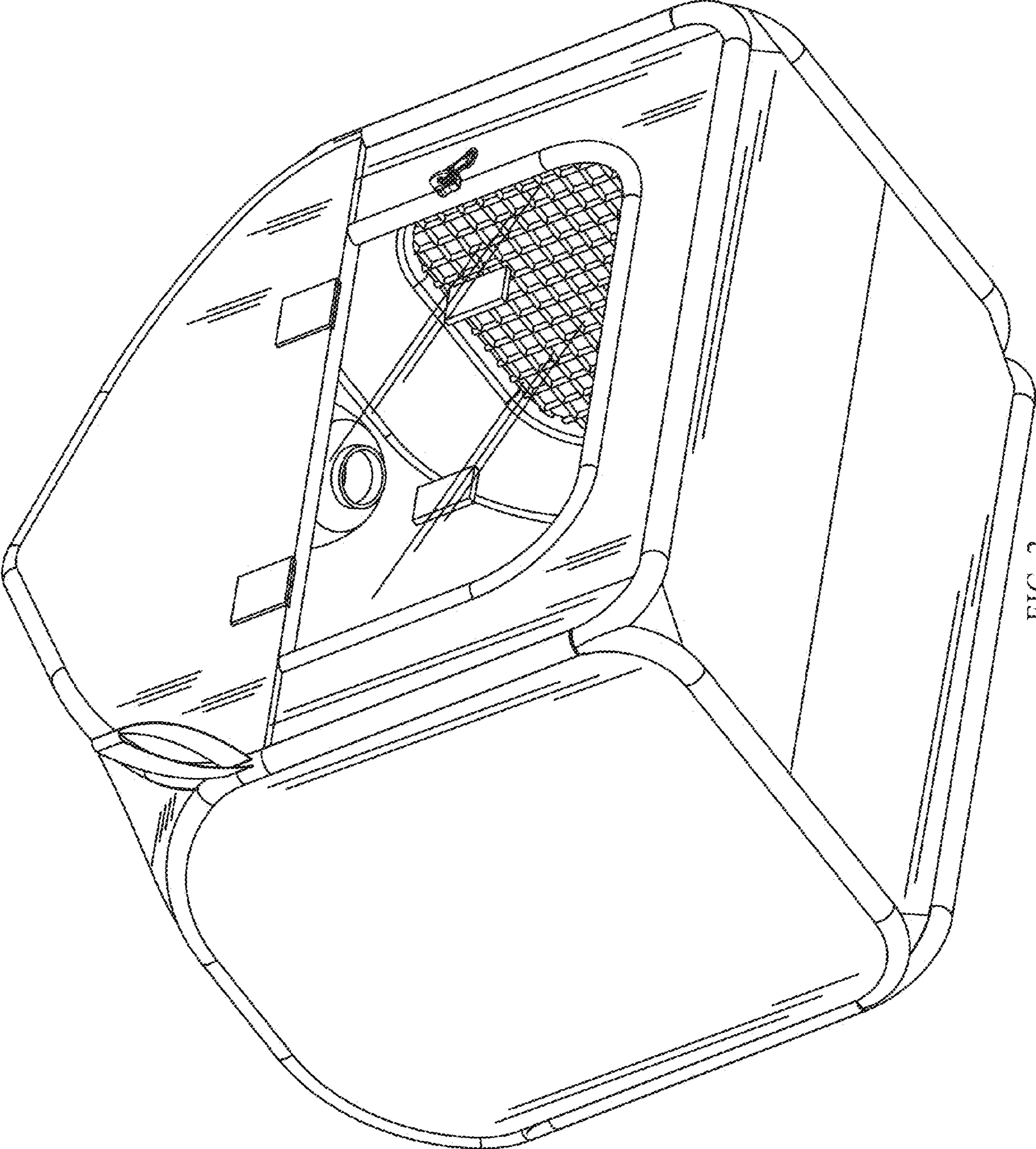


FIG. 2

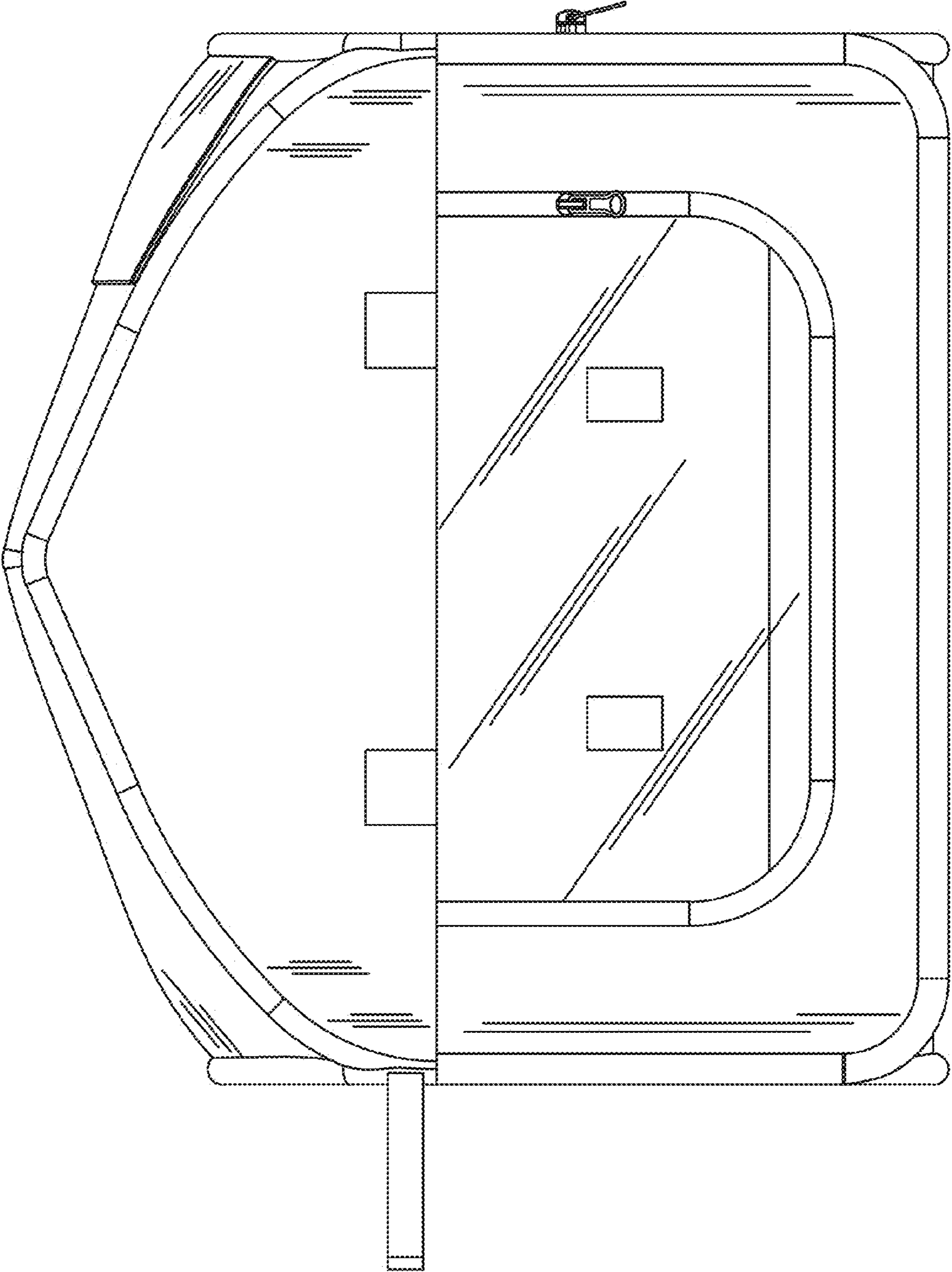


FIG. 3

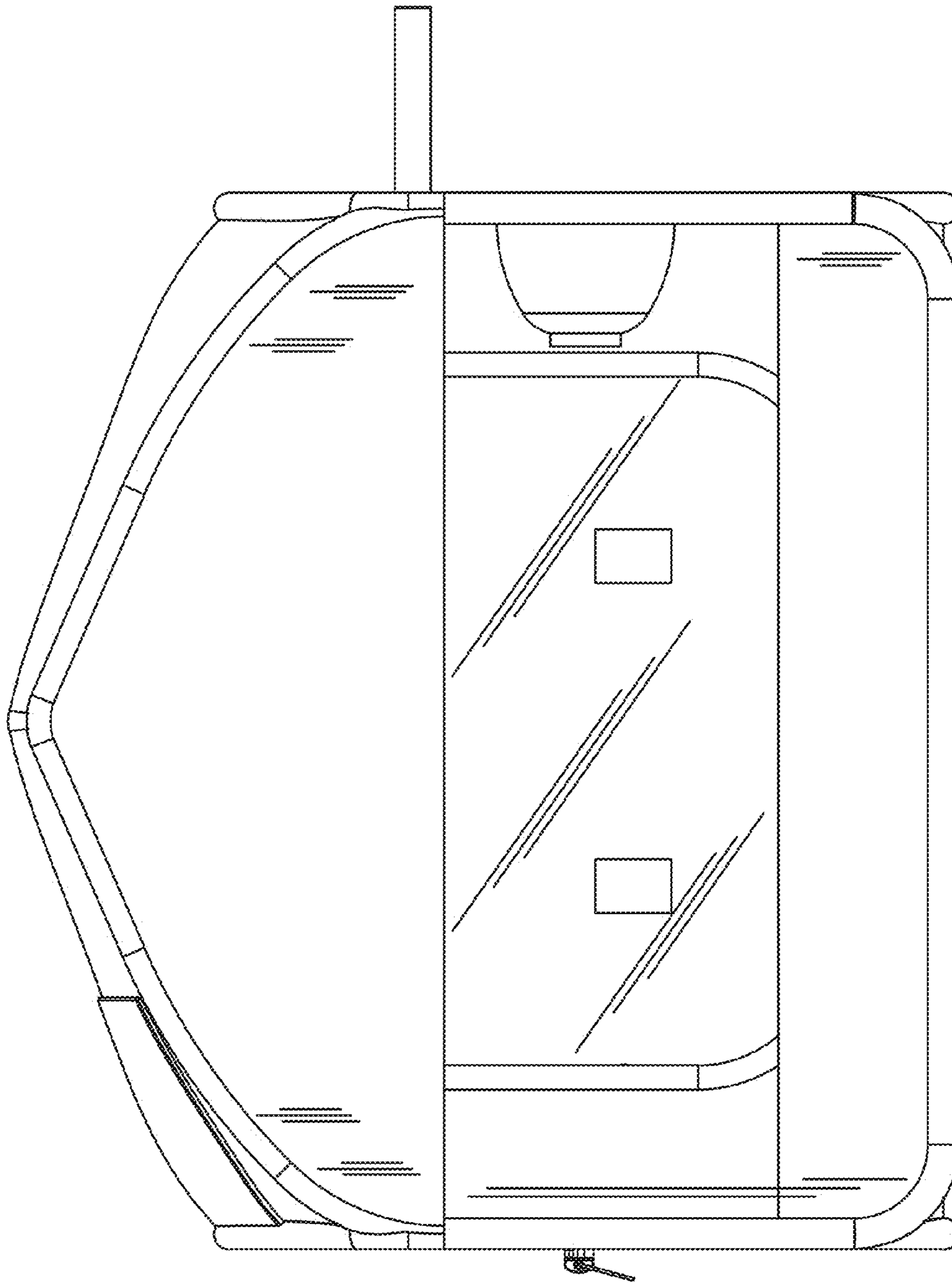


FIG. 4

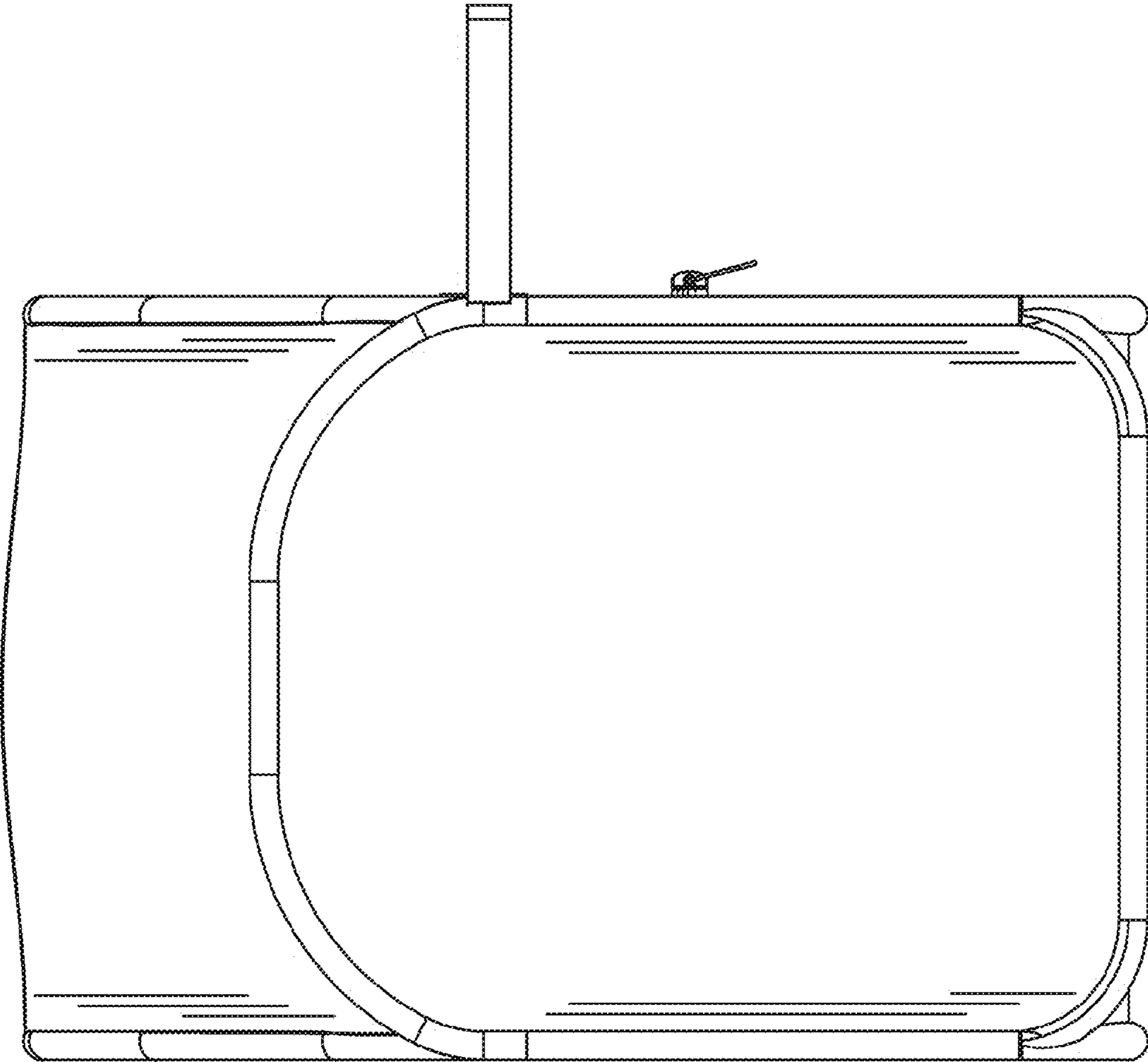


FIG. 5

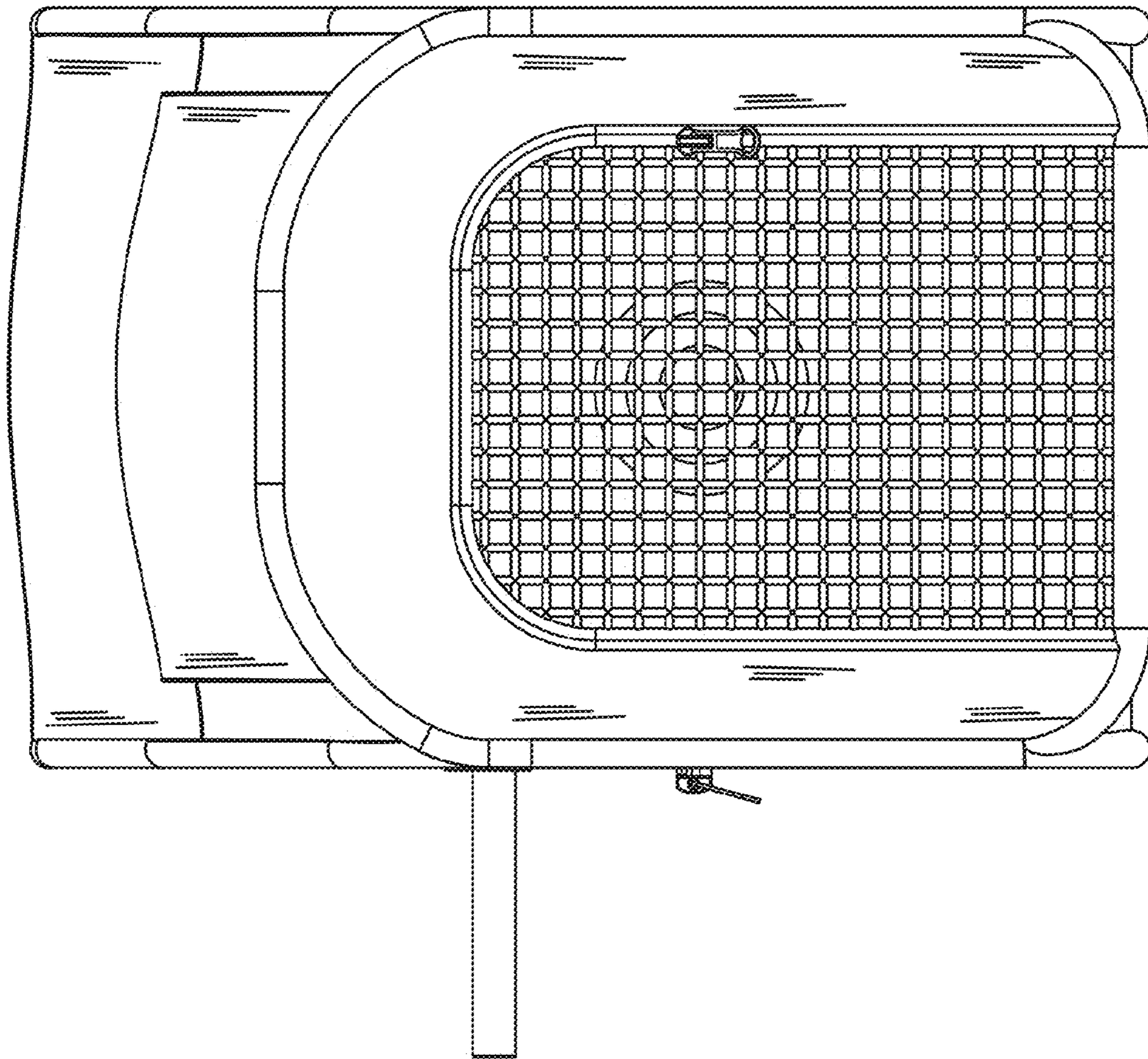


FIG. 6

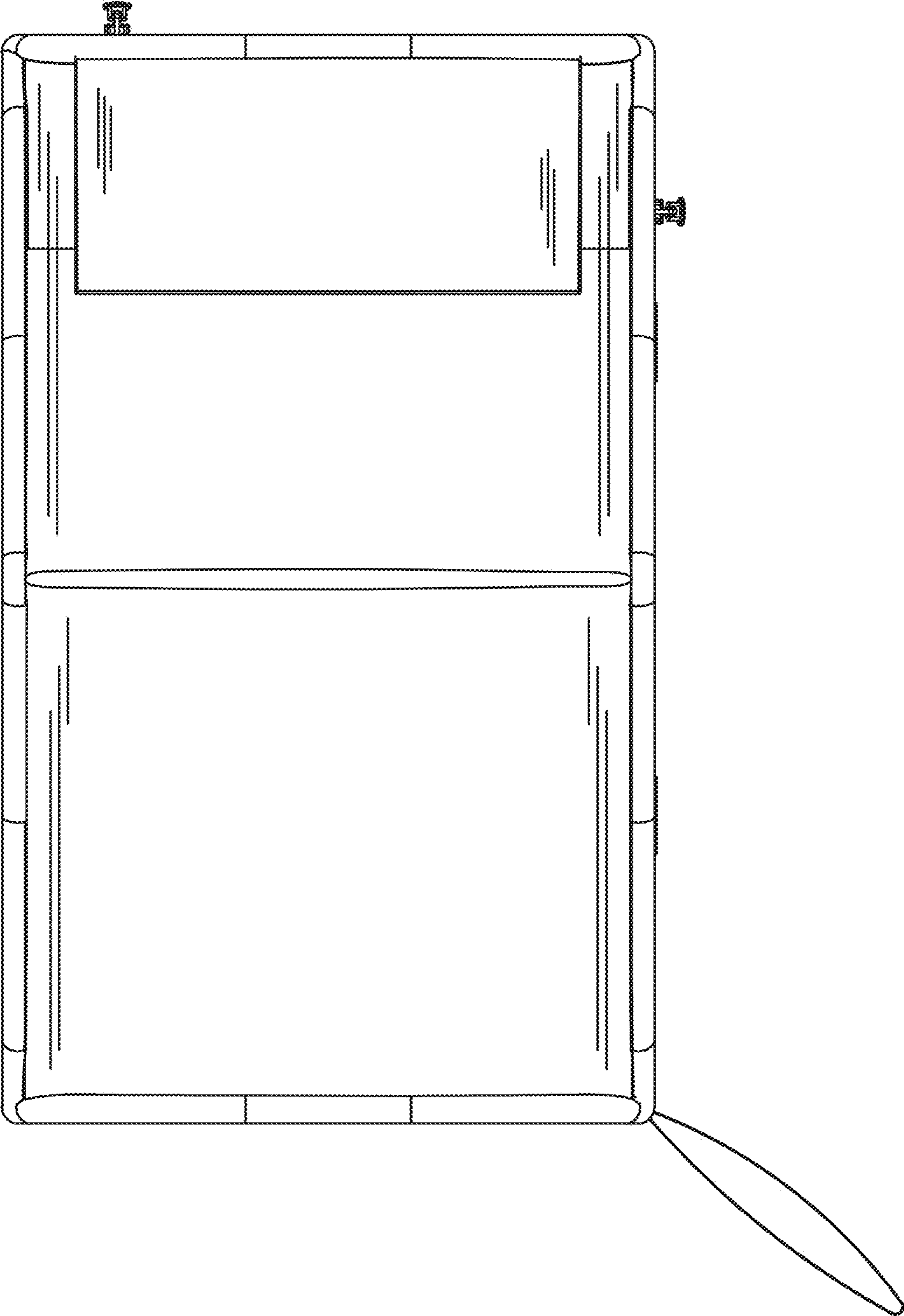


FIG. 7

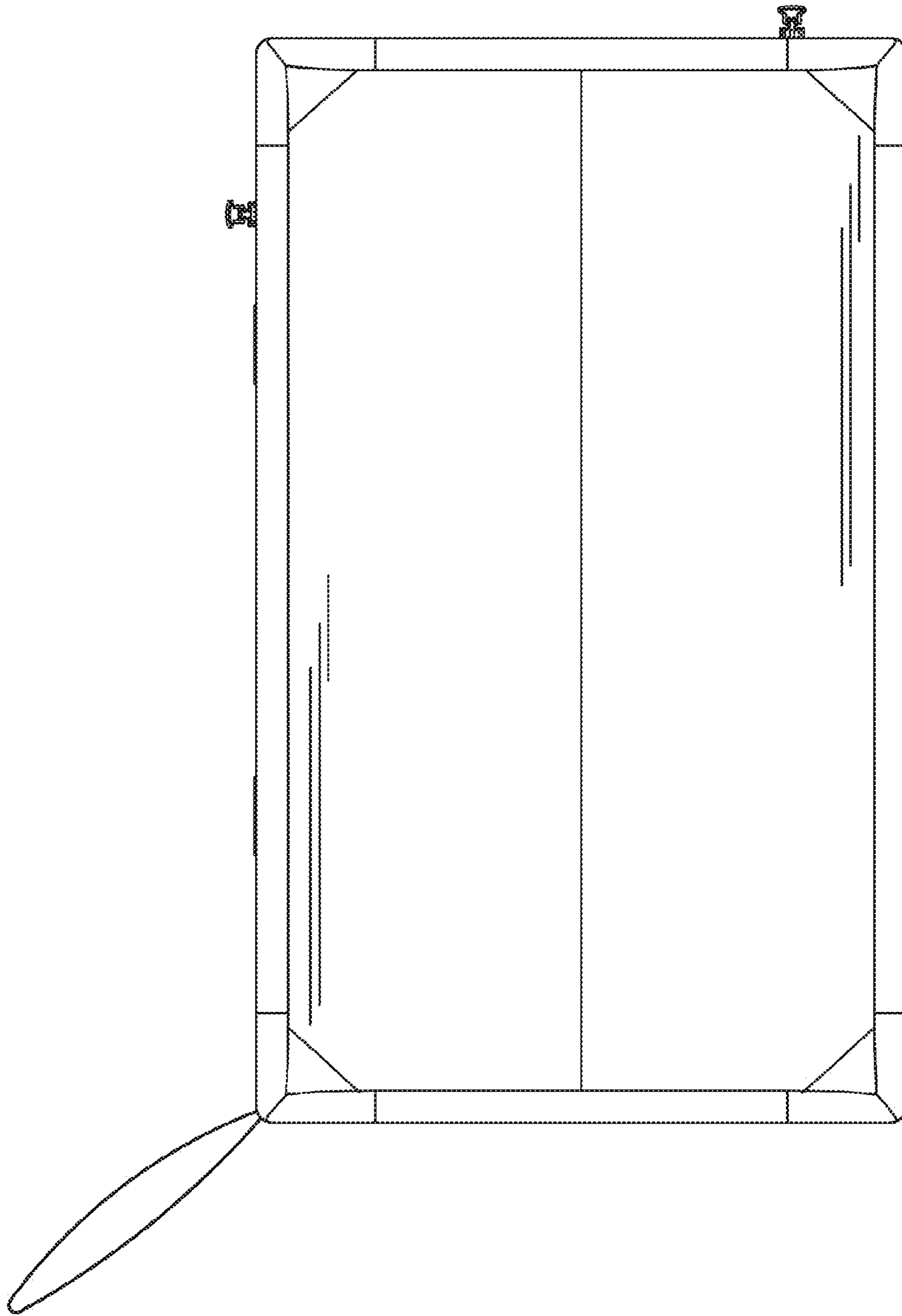


FIG. 8