



US00D936301S

(12) **United States Design Patent** (10) **Patent No.:** **US D936,301 S**  
**Zhu** (45) **Date of Patent:** **\*\* Nov. 16, 2021**

(54) **PET GROOMING DRYER**

(71) Applicant: **Zhehao Zhu**, Guangdong (CN)

(72) Inventor: **Zhehao Zhu**, Guangdong (CN)

(\*\*) Term: **15 Years**

(21) Appl. No.: **29/709,278**

(22) Filed: **Oct. 12, 2019**

(51) **LOC (13) Cl.** ..... **30-99**

(52) **U.S. Cl.**  
USPC ..... **D30/158**

(58) **Field of Classification Search**

USPC ..... D30/158, 159, 199; 119/600-620,  
119/623-633; D4/114, 115, 116, 117,  
D4/118, 136, 138, 199; D28/7, 10, 12,  
D28/13, 21, 31, 56, 57, 59, 60, 74, 77,  
D28/99.1, 99; D32/1, 6, 9, 10, 17, 18,  
D32/25, 31, 32, 33; D23/223, 213, 225,  
D23/226, 202  
CPC ..... A01J 7/04; A01K 13/0001; A01K 13/00;  
A01K 13/002; A01K 13/001; A45D  
24/04; A45D 24/10; A45D 24/16; A45D  
24/00; A45D 24/02; A45D 24/30; A61D  
11/00  
See application file for complete search history.

(56) **References Cited**

**U.S. PATENT DOCUMENTS**

D688,425 S *	8/2013	Fernandez	.....	D30/158
D831,905 S *	10/2018	Benacquisto	.....	D30/158
D908,292 S *	1/2021	Wu	.....	D30/158
D912,335 S *	3/2021	Wu	.....	D30/158
2011/0030620 A1 *	2/2011	Jouan	.....	A01K 13/002 119/611
2015/0047575 A1 *	2/2015	Jui-Tsang	.....	A46B 17/06 119/628

**OTHER PUBLICATIONS**

“PETRIP Dog Hair Dryer” available Apr. 1, 2019, [online], [site visited May 19, 2021]. Retrieved from Internet, URL:https://www.amazon.com/PETRIP-Professional-Grooming-Blower-Slicker/dp/B07Q6Y1HDH/ref=asc\_df\_B07Q6Y1HDH/ (Year: 2019).\*

\* cited by examiner

*Primary Examiner* — W. A. Teddy Falloway

*Assistant Examiner* — Katrina N Gonzalez

(74) *Attorney, Agent, or Firm* — Andrew C. Cheng

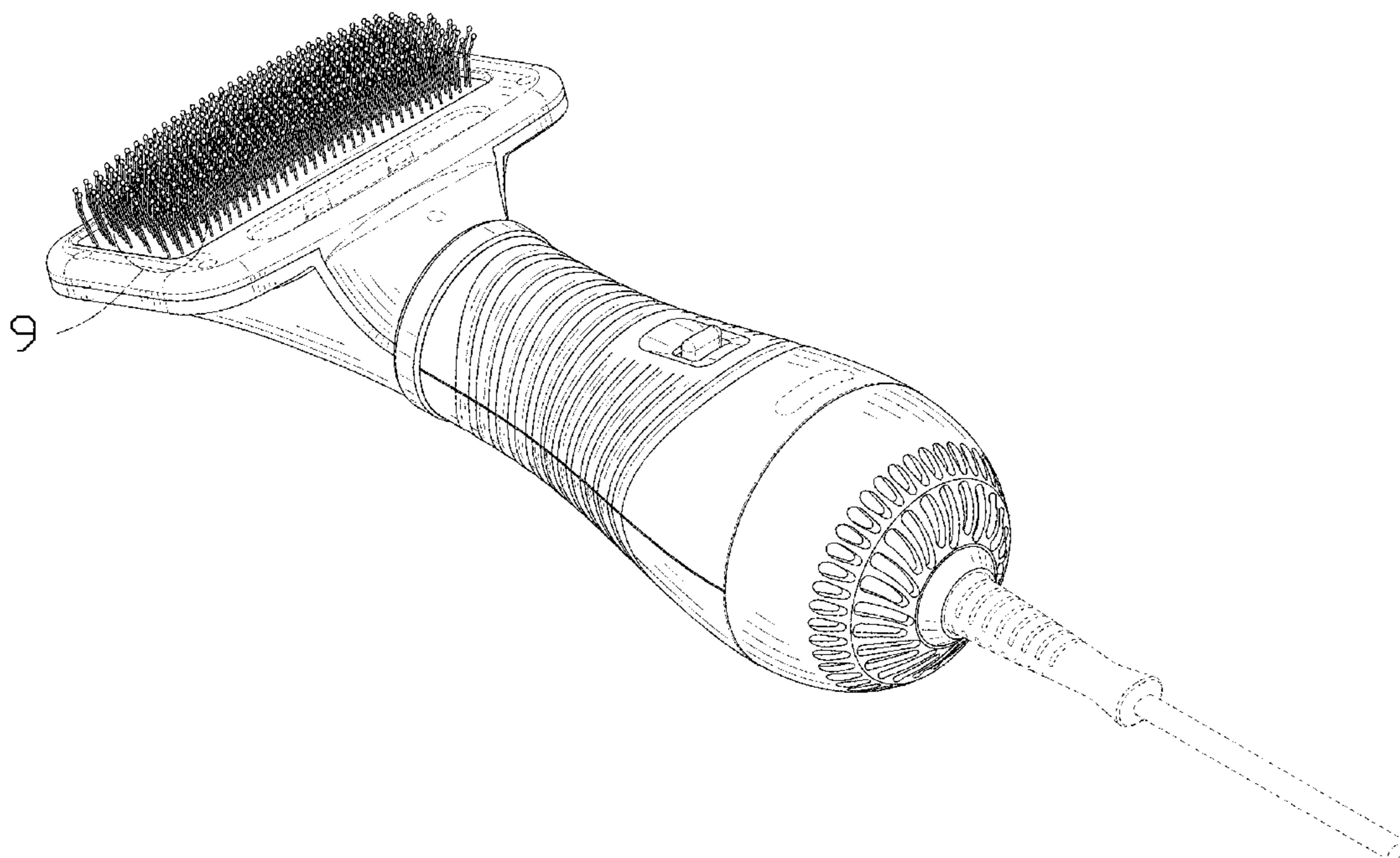
(57) **CLAIM**

The ornamental design for a pet grooming dryer, as shown and described.

**DESCRIPTION**

FIG. 1 is a first perspective view of a pet grooming dryer showing my new design;  
FIG. 2 is a second perspective view thereof;  
FIG. 3 is an enlarged detail view of a front elevational view thereof;  
FIG. 4 is an enlarged detail view of a rear elevational view thereof;  
FIG. 5 is a left elevational view thereof;  
FIG. 6 is a right elevational view thereof;  
FIG. 7 is a top plan view thereof;  
FIG. 8 is a bottom plan view thereof; and,  
FIG. 9 is an enlarged detail view of area 9 shown in FIG. 1. The broken lines in the drawings illustrate portions of the pet grooming dryer which form no part of the claimed design.

**1 Claim, 9 Drawing Sheets**



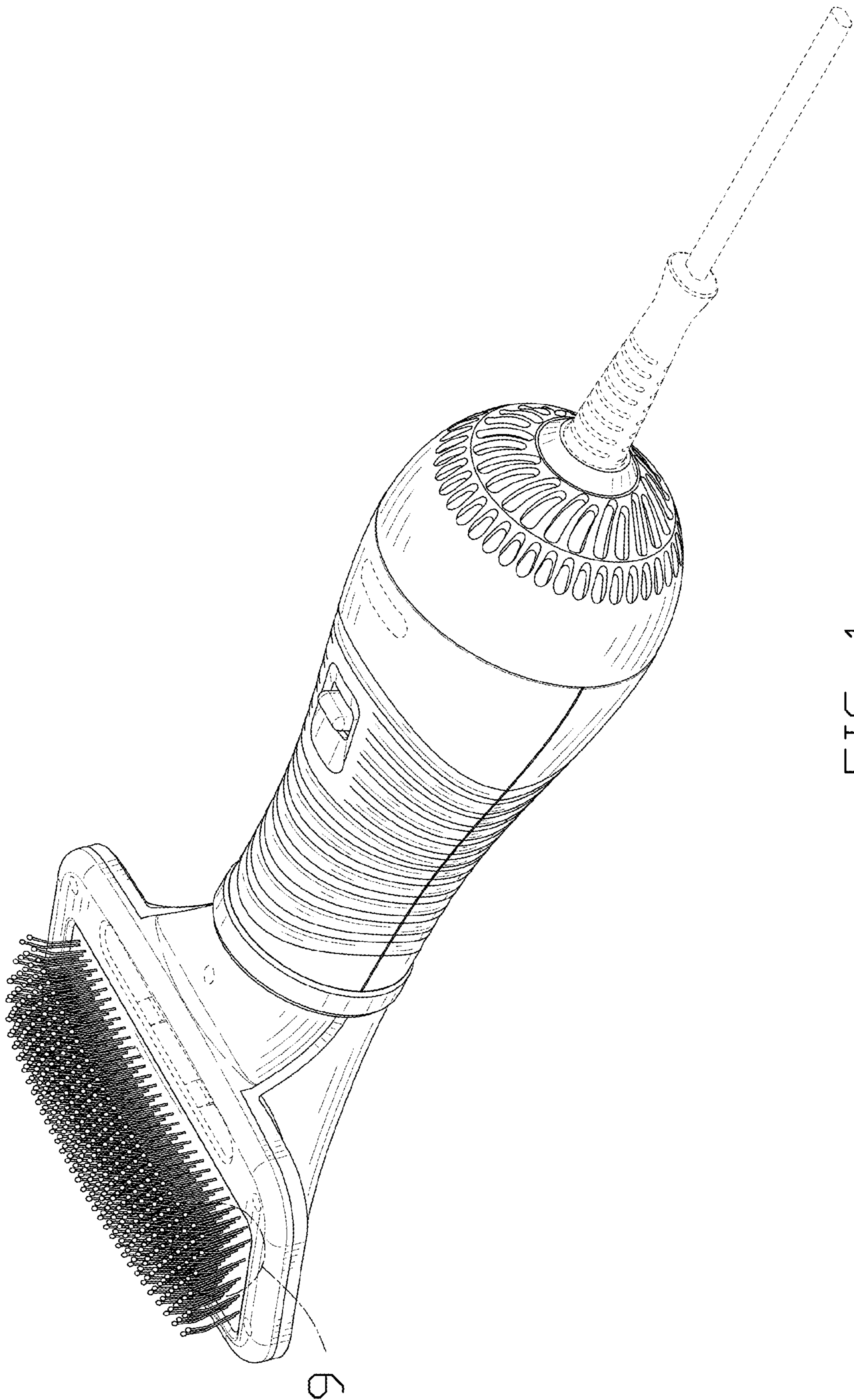


FIG. 1

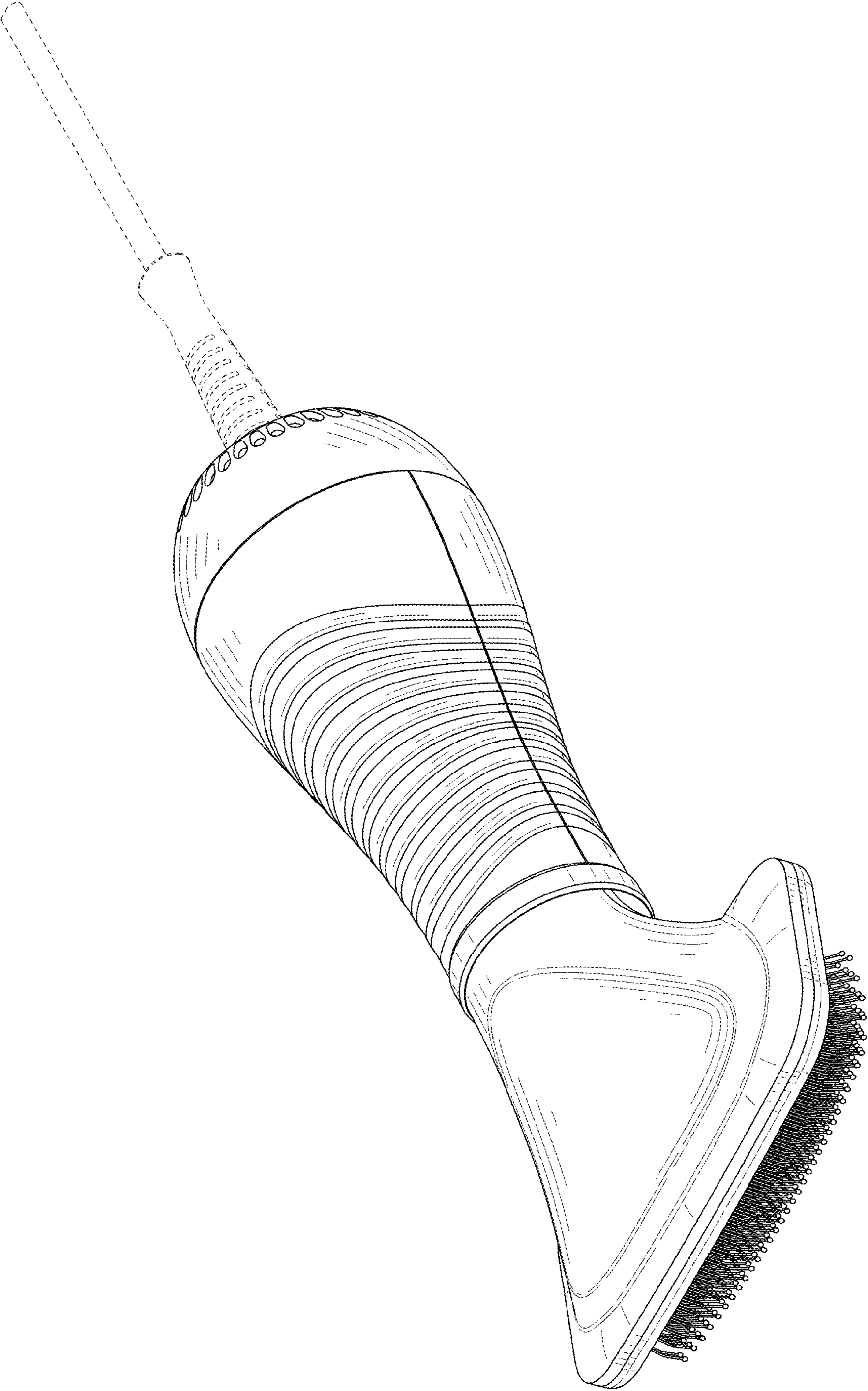


FIG. 2

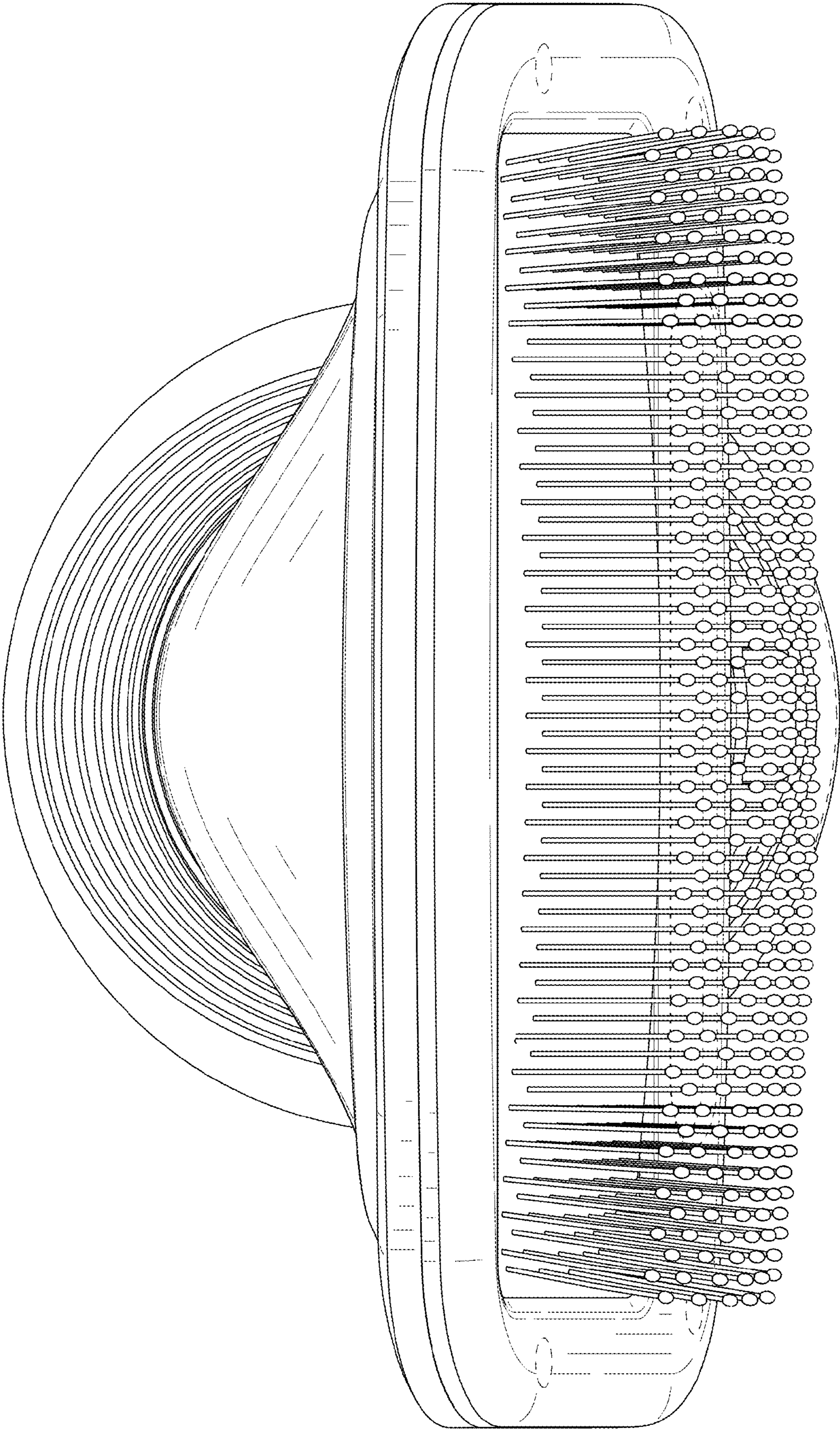


FIG. 3

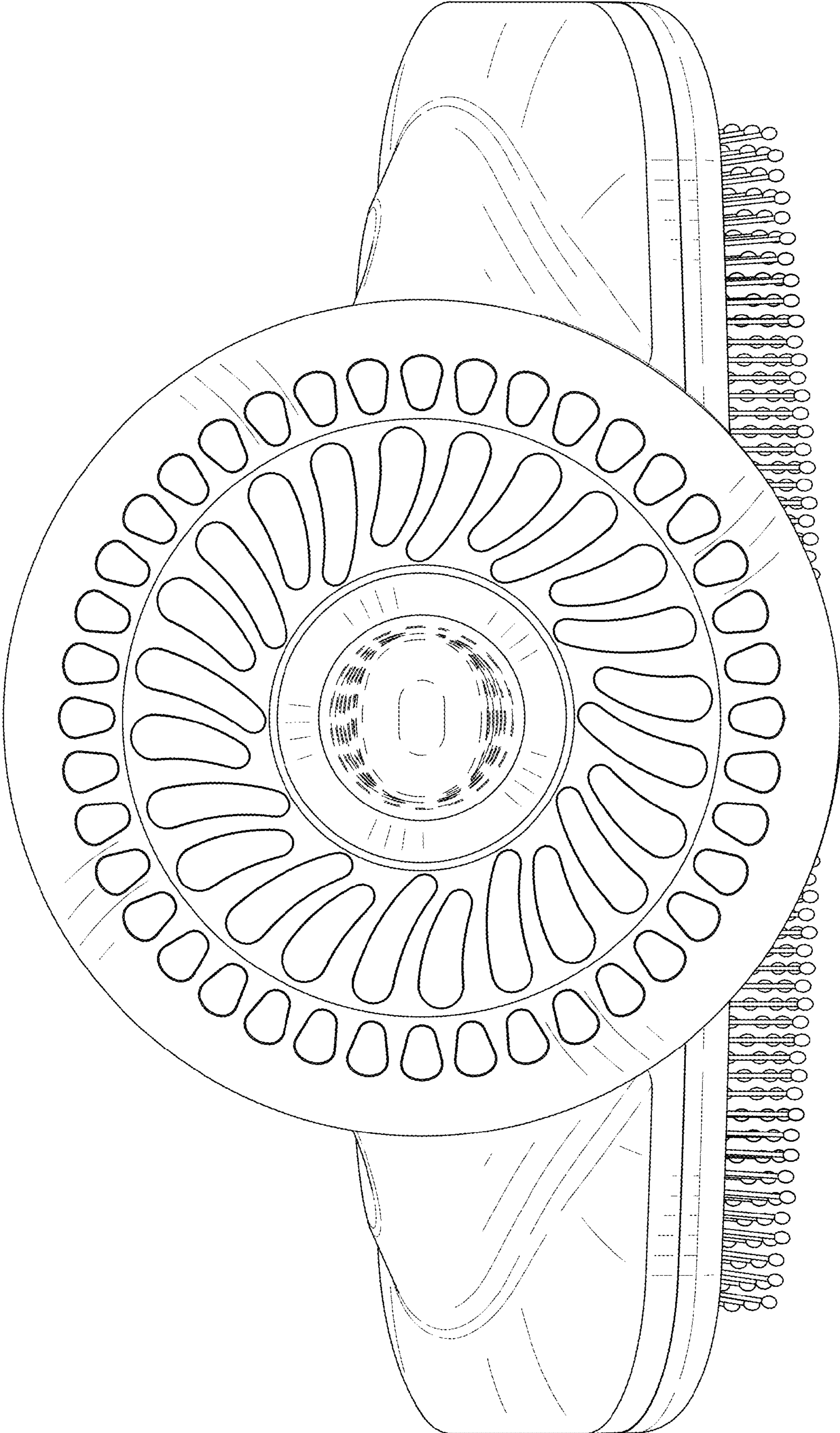


FIG. 4

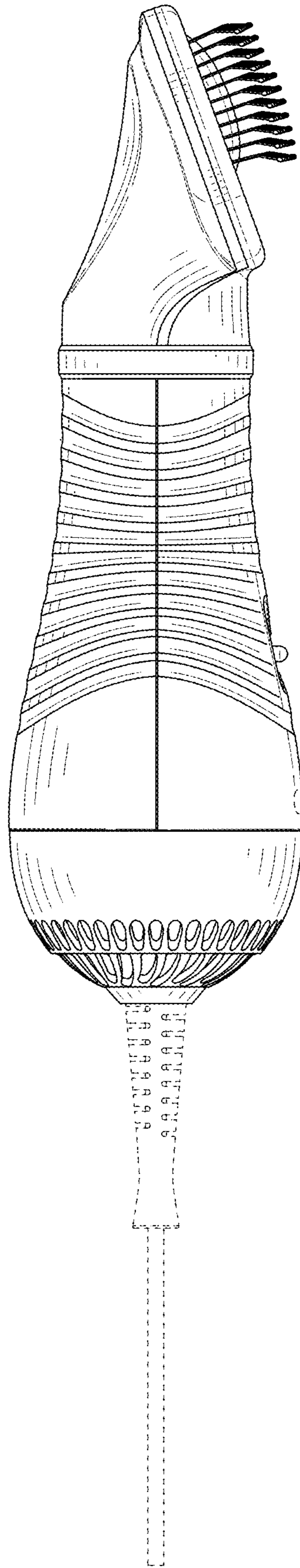


FIG. 5

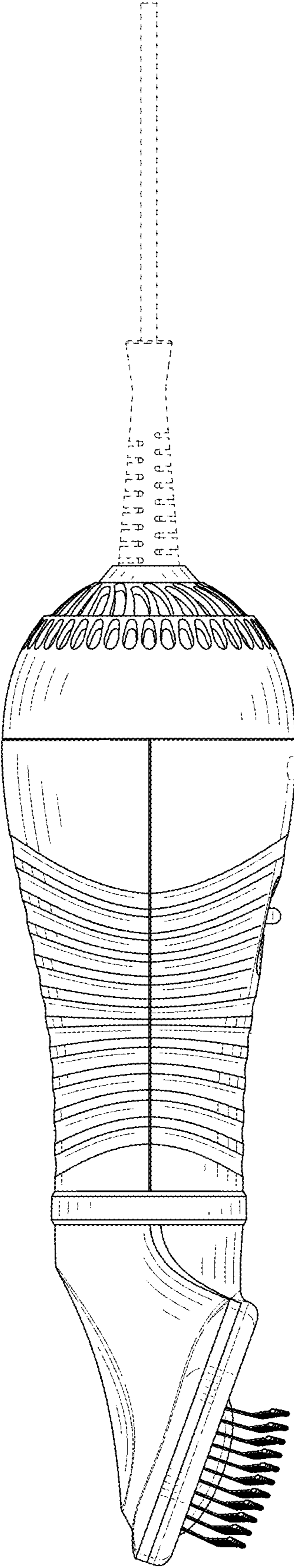


FIG. 6

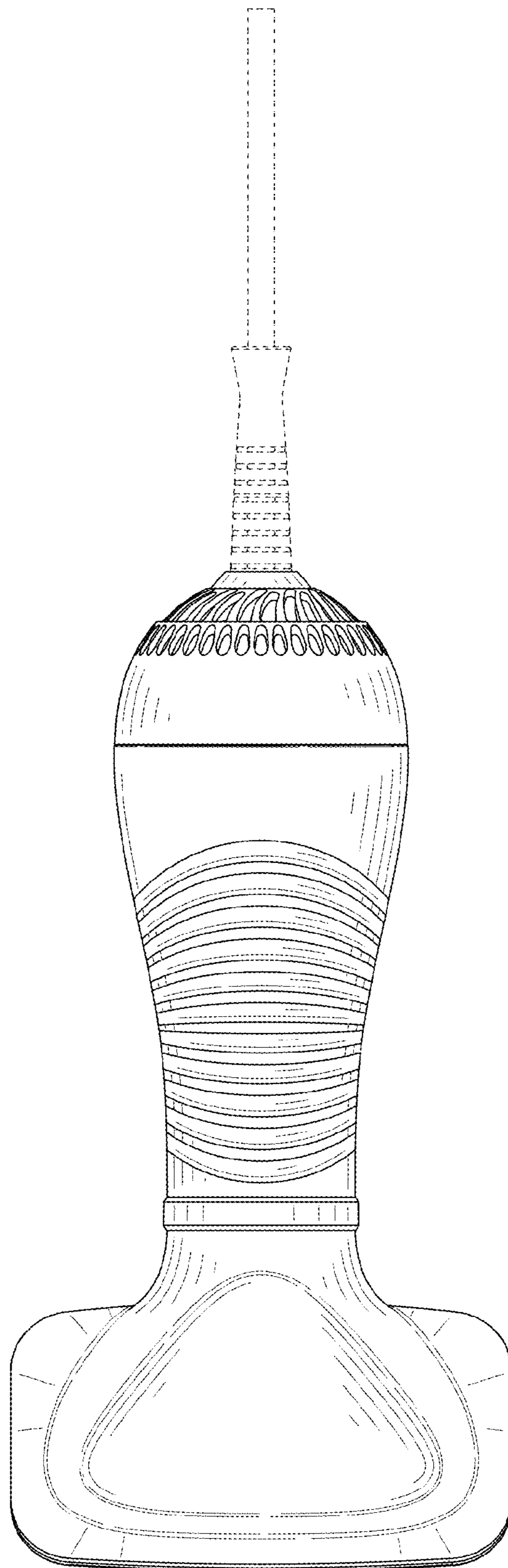


FIG. 7



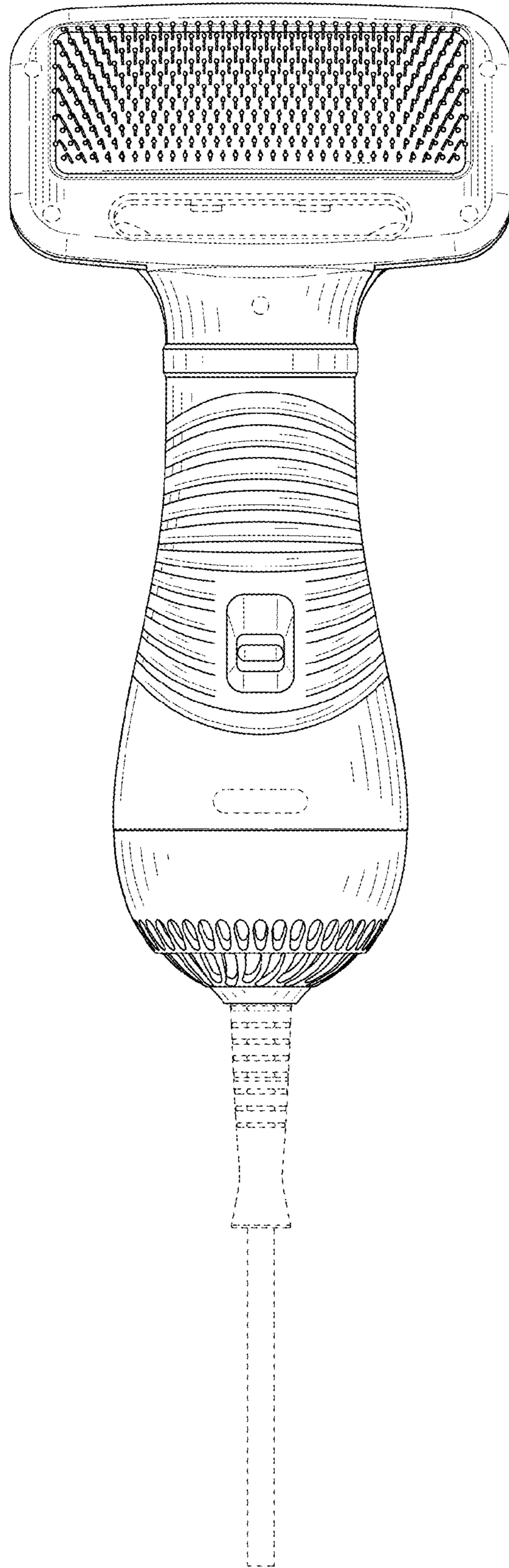


FIG. 8

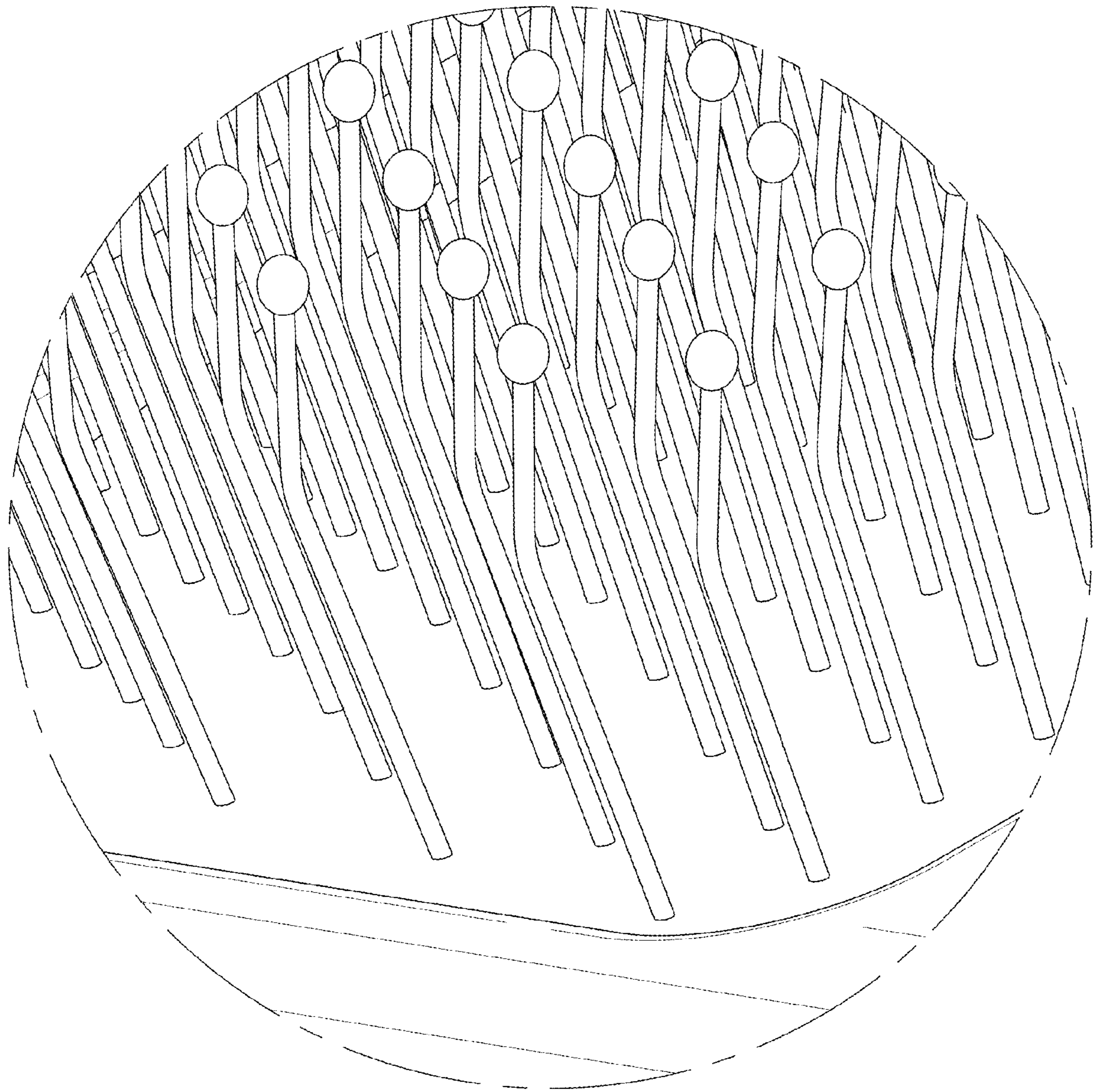


FIG. 9