

US00D936298S

(12) **United States Design Patent**
Lovett

(10) **Patent No.:** **US D936,298 S**
(45) **Date of Patent:** **** Nov. 16, 2021**

(54) **COMBINATION COLLAR AND LEASH**

(74) *Attorney, Agent, or Firm* — Quickpatents, LLC;
Kevin Prince

(71) Applicant: **Dean C. Lovett**, Charlotte, NC (US)

(72) Inventor: **Dean C. Lovett**, Charlotte, NC (US)

(57) **CLAIM**

(**) Term: **15 Years**

The ornamental design for a combination collar and leash, as shown and described.

(21) Appl. No.: **29/716,739**

(22) Filed: **Dec. 11, 2019**

DESCRIPTION

Related U.S. Application Data

(62) Division of application No. 29/689,153, filed on Apr. 26, 2019, now Pat. No. Des. 877,990.

(51) **LOC (13) Cl.** **30-04**

(52) **U.S. Cl.**
USPC **D30/152; D30/153**

(58) **Field of Classification Search**
USPC D30/144, 151, 152, 155, 199; D24/190;
D2/627, 894; D29/100, 101.1, 101.2;
D8/300

(Continued)

(56) **References Cited**

U.S. PATENT DOCUMENTS

D298,872 S * 12/1988 Cassel D30/152
4,811,695 A * 3/1989 Higgins A01K 27/001
119/863

(Continued)

OTHER PUBLICATIONS

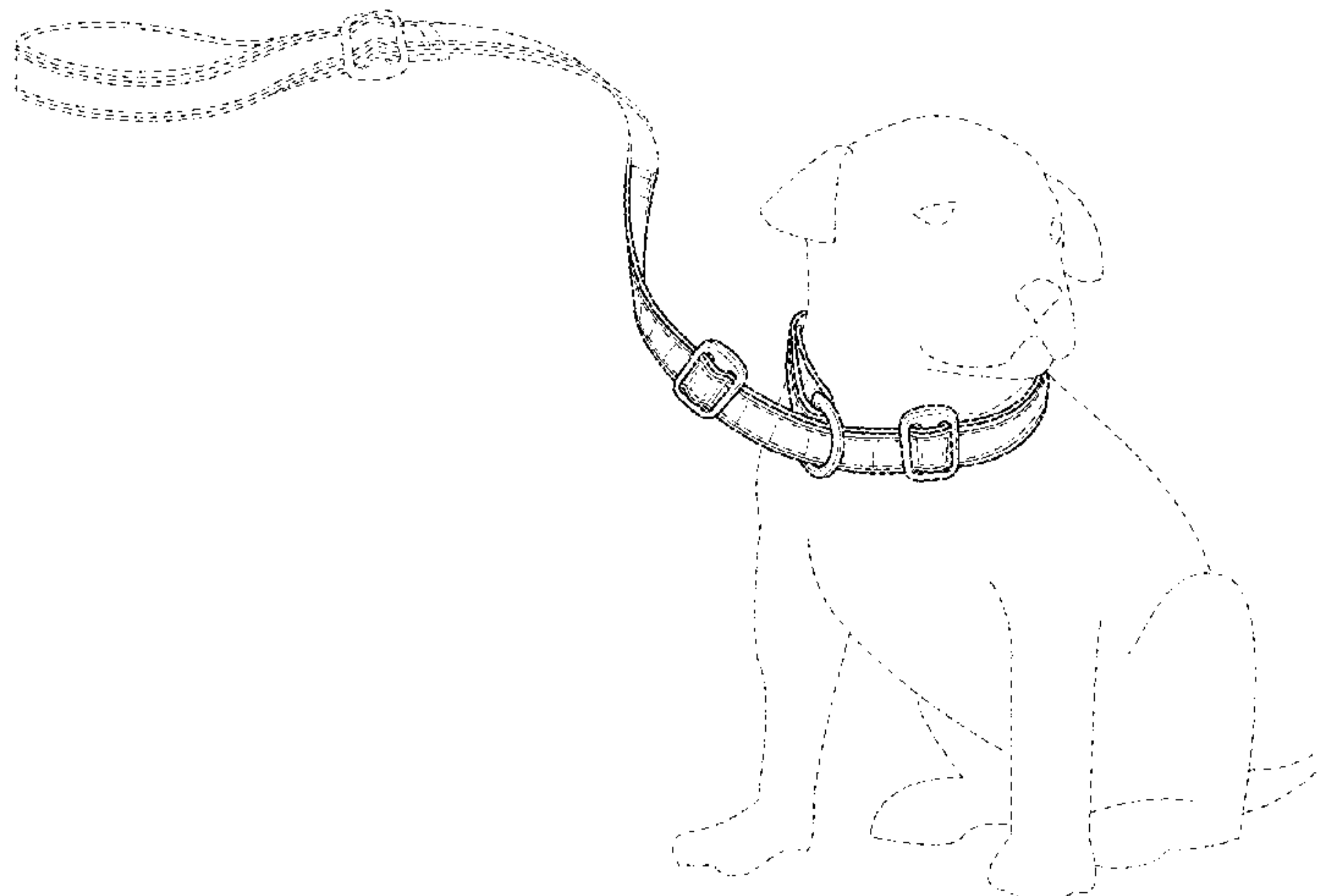
“Gencon Slip & Clip Lead”. Found online Mar. 5, 2021 at amazon.co.uk. Page dated Mar. 15, 2015. Retrieved from https://www.amazon.co.uk/Slip-Clip-Lead-Red-Black/dp/B00UQIFW7C/ref=sr_1_50_sspa?*

(Continued)

Primary Examiner — Kendra Leslie Hamilton

FIG. 1 is a top, front perspective view of a first embodiment of a combination collar and leash, showing my new design in a condition of use;
FIG. 2 is a top, front perspective view of the combination collar and leash of FIG. 1, shown flat and loose in a first configuration;
FIG. 3 is a rear elevation view of the combination collar and leash of FIG. 1, shown flat and tight in a second configuration, for ease of illustration;
FIG. 4 is a front elevation view thereof;
FIG. 5 is a top elevation view thereof;
FIG. 6 is a bottom plan view thereof;
FIG. 7 is a left side elevation thereof, the right side elevation view being a mirror image thereof;
FIG. 8 is a top, front perspective view of the second embodiment of a combination collar and leash, illustrated in a condition of use;
FIG. 9 is a top, front perspective view of the combination collar and leash of FIG. 8, shown in the second configuration;
FIG. 10 is a rear elevation view of the combination collar and leash of FIG. 8, shown in the second configuration;
FIG. 11 is a front elevation view thereof;
FIG. 12 is a top elevation view thereof;
FIG. 13 is a bottom plan view thereof; and,
FIG. 14 is a left side elevation thereof, the right side elevation view being a mirror image thereof.
The equal-length broken lines on the claimed portion of the combination leash and collar depict stitching and form part of the claimed design. The equal-length broken lines showing a pet in FIGS. 1 and 8 depict environmental matter and form no part of the claimed design. The dot-dash broken

(Continued)



lines represent boundaries of the claimed design. The equal-length broken lines beyond the boundaries form no part of the claimed design.

1 Claim, 6 Drawing Sheets

(58) Field of Classification Search

CPC ... A01K 27/003; A01K 27/001; A01K 27/004
See application file for complete search history.

(56) References Cited

U.S. PATENT DOCUMENTS

4,838,206	A *	6/1989	Anderson	A01K 25/00 119/831
D336,055	S *	6/1993	Juliana	D30/152
D359,598	S *	6/1995	Forbes	D30/152
5,497,733	A *	3/1996	Hull	A01K 27/001 119/793
D380,692	S *	7/1997	Heun	D30/152
D390,961	S *	2/1998	Walker	D24/190
D457,688	S *	5/2002	Cordero	D2/627
D523,188	S *	6/2006	Lord	D30/152
D543,884	S *	6/2007	Schrick	D30/199
D555,298	S *	11/2007	Garon	D30/152
D568,579	S *	5/2008	Mouquet	D2/624
D683,085	S *	5/2013	Parker	D30/152
D683,915	S *	6/2013	So	D30/152
D708,798	S *	7/2014	MacDonald	D30/199
D788,999	S *	6/2017	Zinn	D30/152
D790,780	S *	6/2017	Strengell	D30/153

2002/0139565	A1 *	10/2002	Bradford	A01K 27/009 174/188
2003/0116101	A1 *	6/2003	Kim	A01K 15/022 119/720
2008/0074958	A1 *	3/2008	Moran	G04B 37/1486 368/282
2008/0115739	A1 *	5/2008	Clenney	A01K 27/006 119/863
2011/0132275	A1 *	6/2011	Huo	A01K 27/009 119/720
2013/0233252	A1 *	9/2013	Bellon	A01K 15/029 119/720
2014/0033992	A1 *	2/2014	Reed	A01K 27/004 119/792
2018/0368356	A1 *	12/2018	Case	A01K 27/003

OTHER PUBLICATIONS

“Angel for Pets MJH Moxon Biothane Slip Lead”. Found online Jun. 6, 2019 at amazon.co.uk. Page dated Jul. 6, 2017. Retrieved from https://www.amazon.co.uk/MOXON-Super-Heavy-Biothane-Orange/dp/B06W2LBWL6/ref=sr_1_257?keywords=slip+lead&qid=1559863638&s=gateway&sr=8-257.*

“Fox Valley Pet Wear: Slip Lead: Collar/Leash Combo”. Found online Mar. 5, 2021 at foxvalleydogcollars.com. Reference dated Aug. 21, 2018. Retrieved from https://foxvalleydogcollars.com/products/slip-lead.*

“Wuffwear: Basic Strong Slip Lead”. Found online Mar. 9, 2021 at amazon.co.uk. Reference dated Feb. 4, 2014. Retrieved from https://www.amazon.co.uk/Strong-meters-various-colour-combinations/dp/B00I8OSVS8/ref=sr_1_78?k.*

* cited by examiner

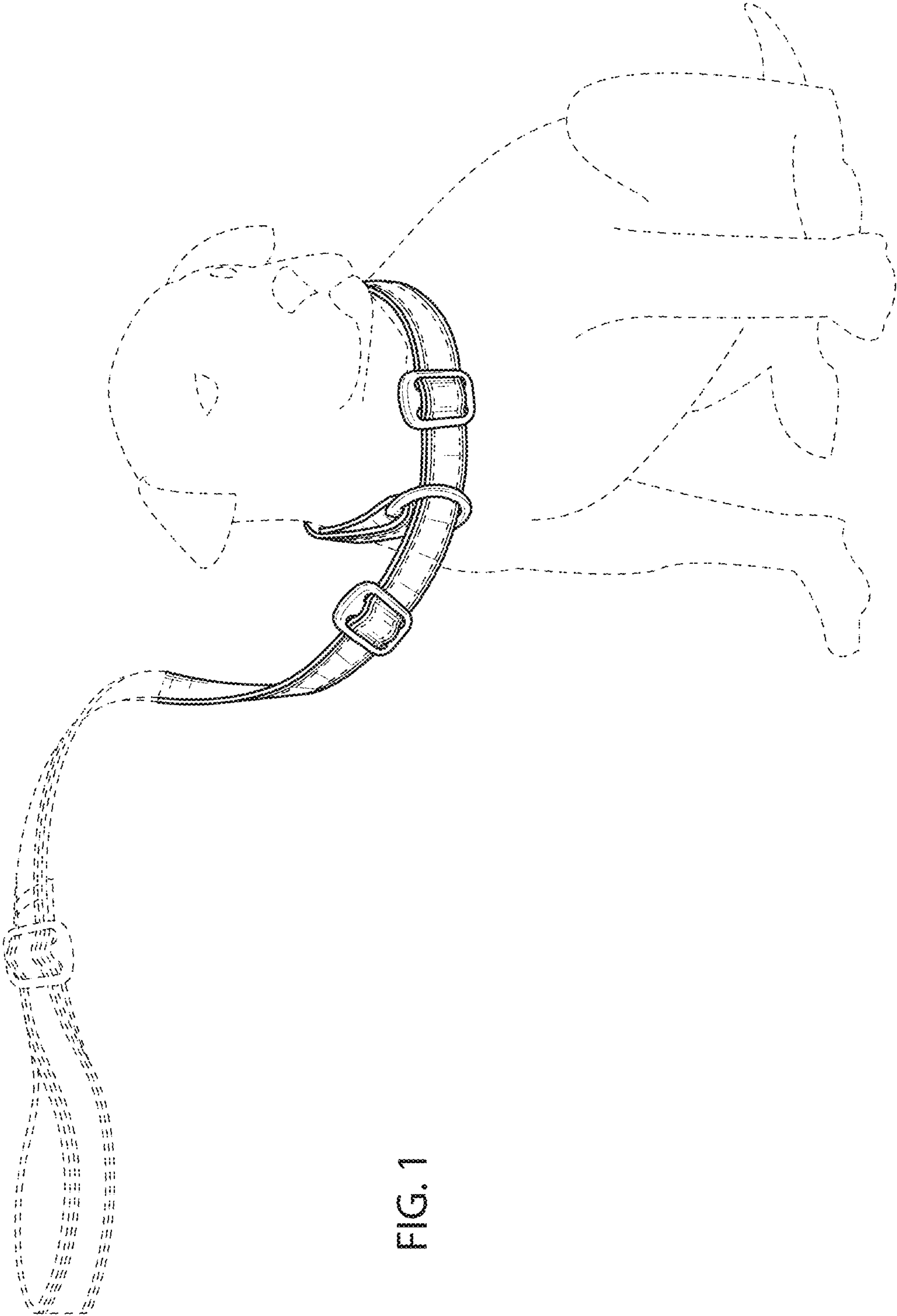


FIG. 1

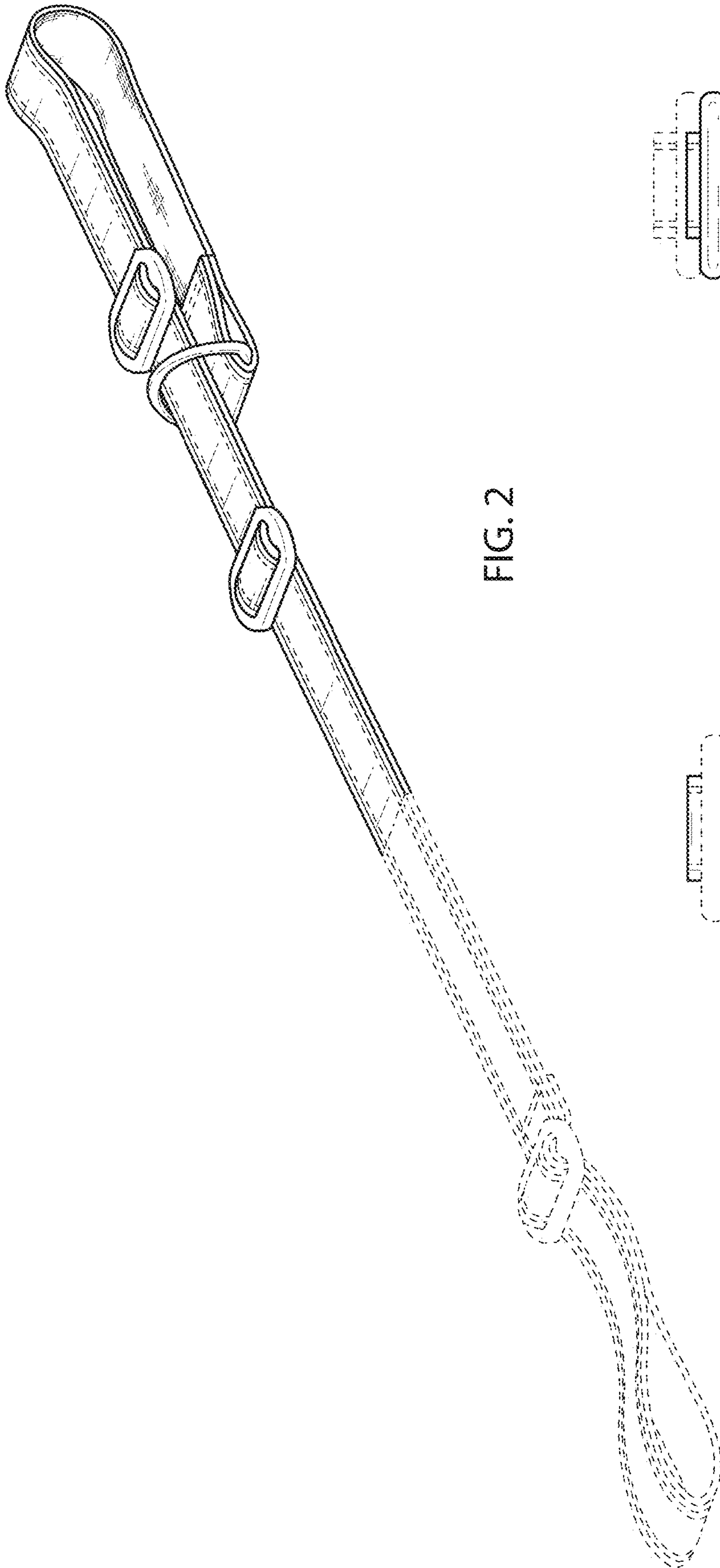


FIG. 2

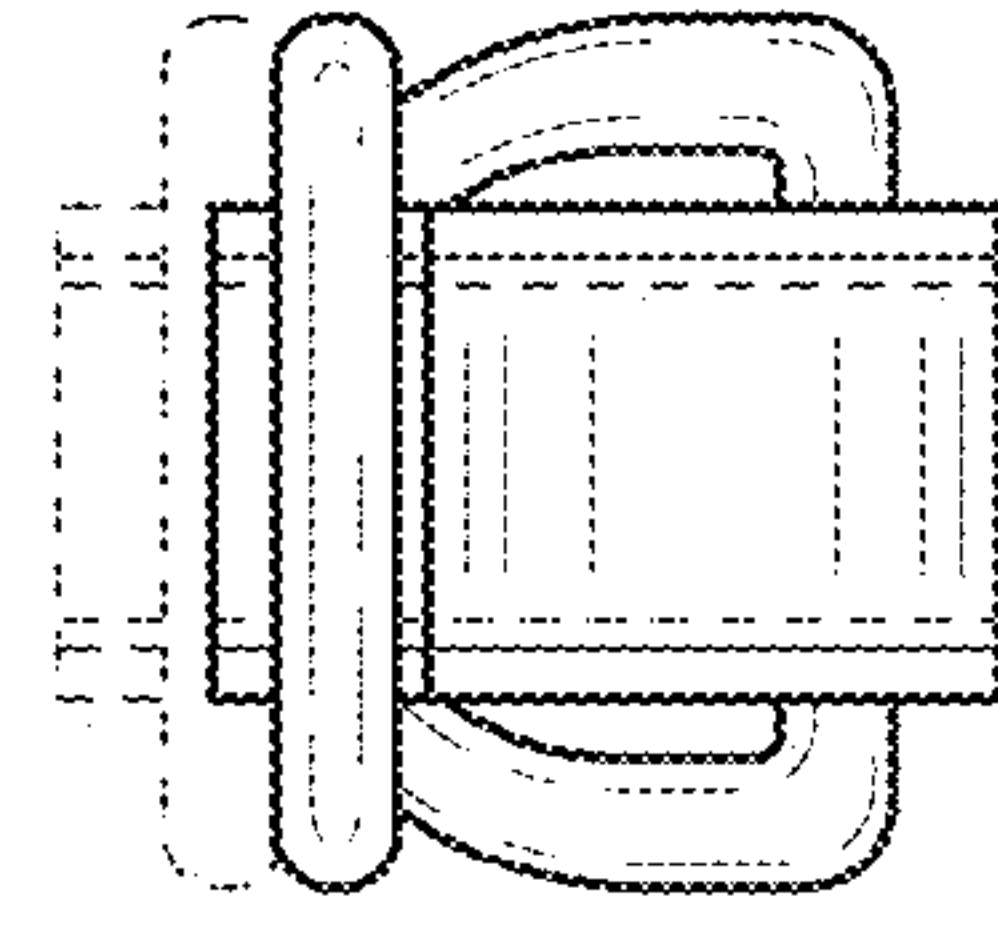


FIG. 4

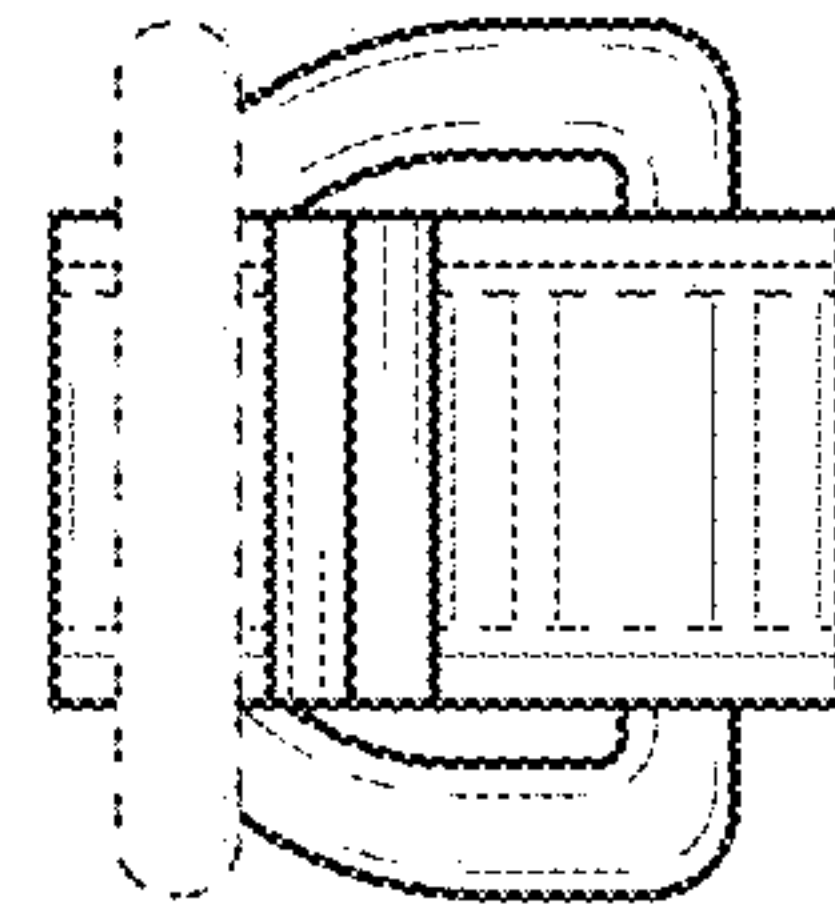


FIG. 3

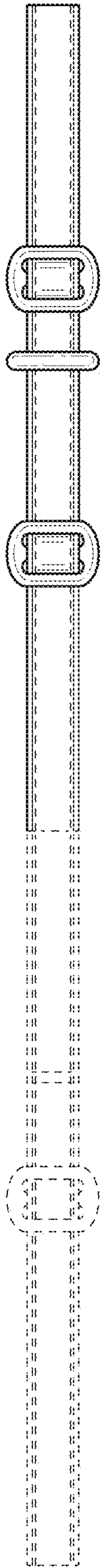


FIG. 5

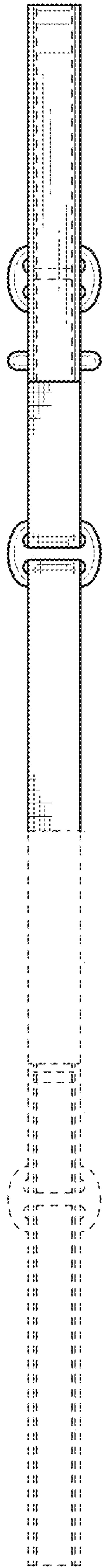


FIG. 6

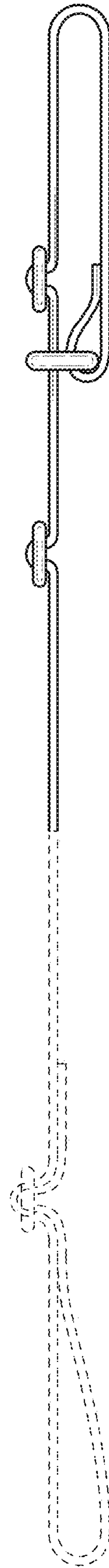


FIG. 7

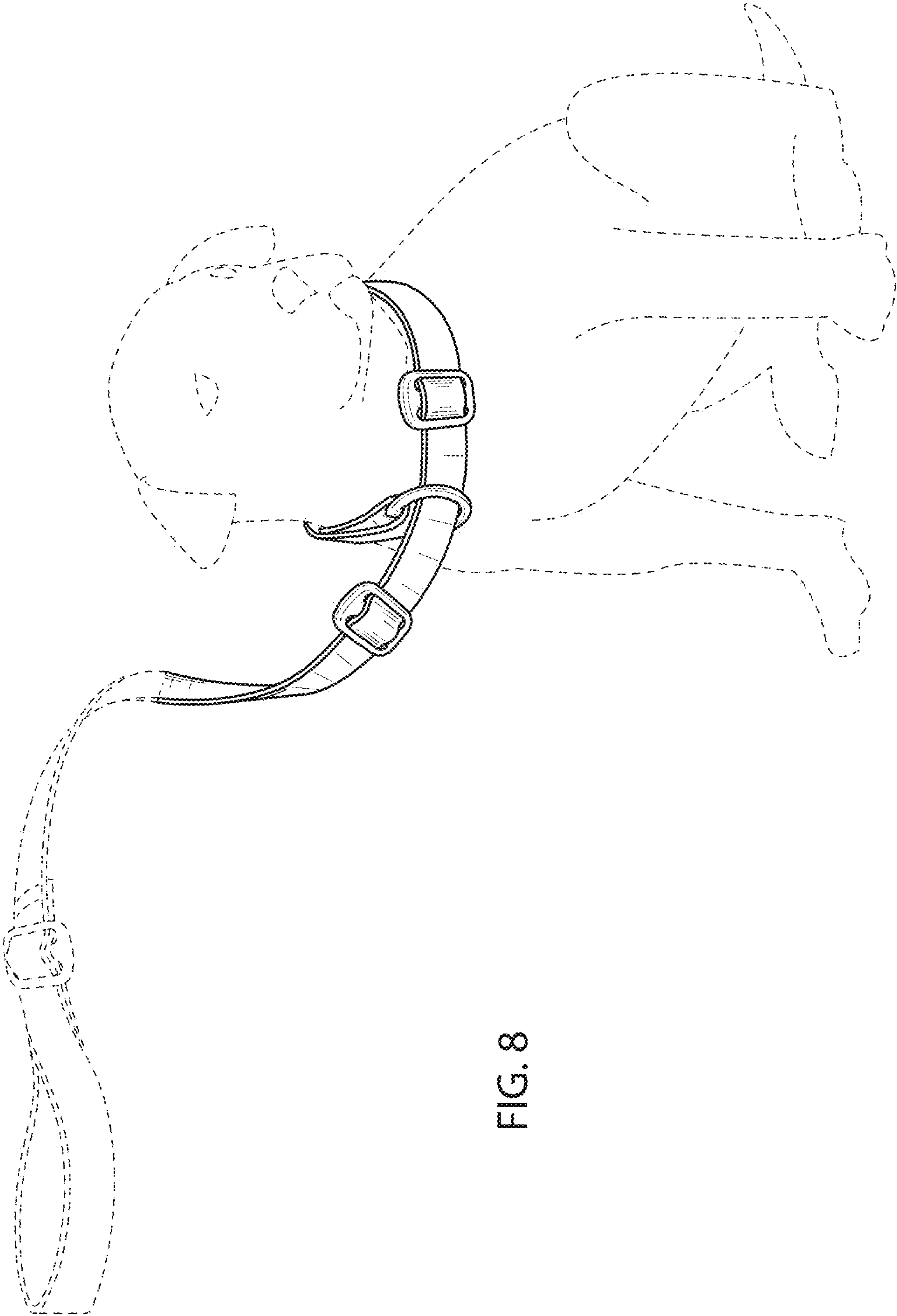


FIG. 8

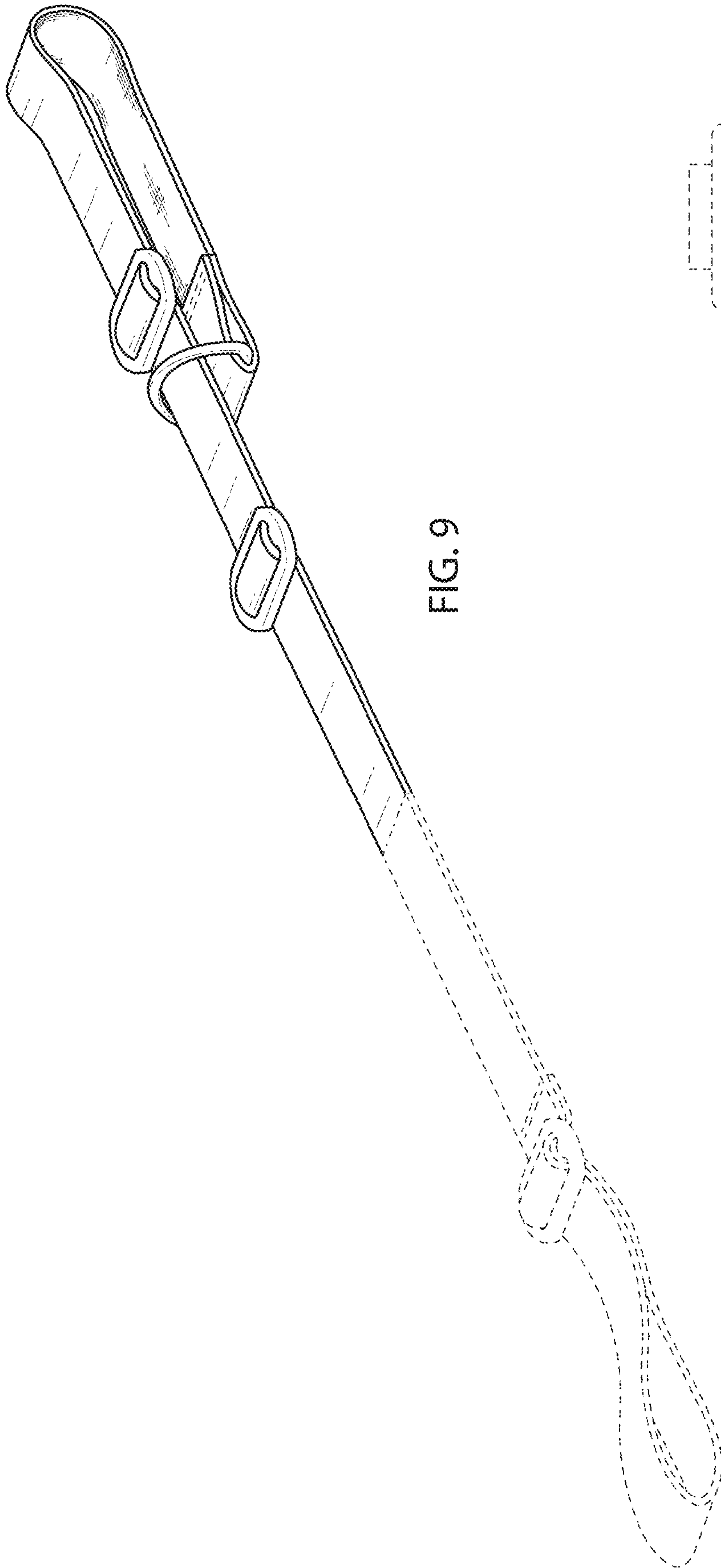


FIG. 9

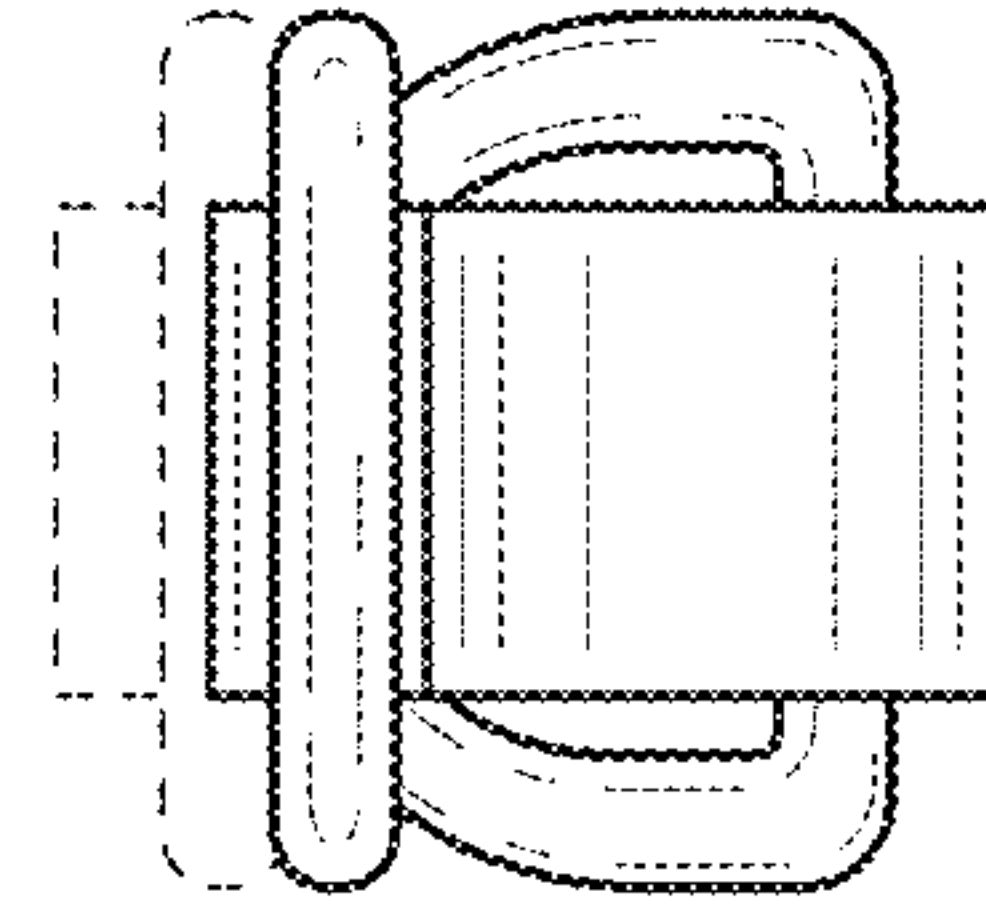


FIG. 11

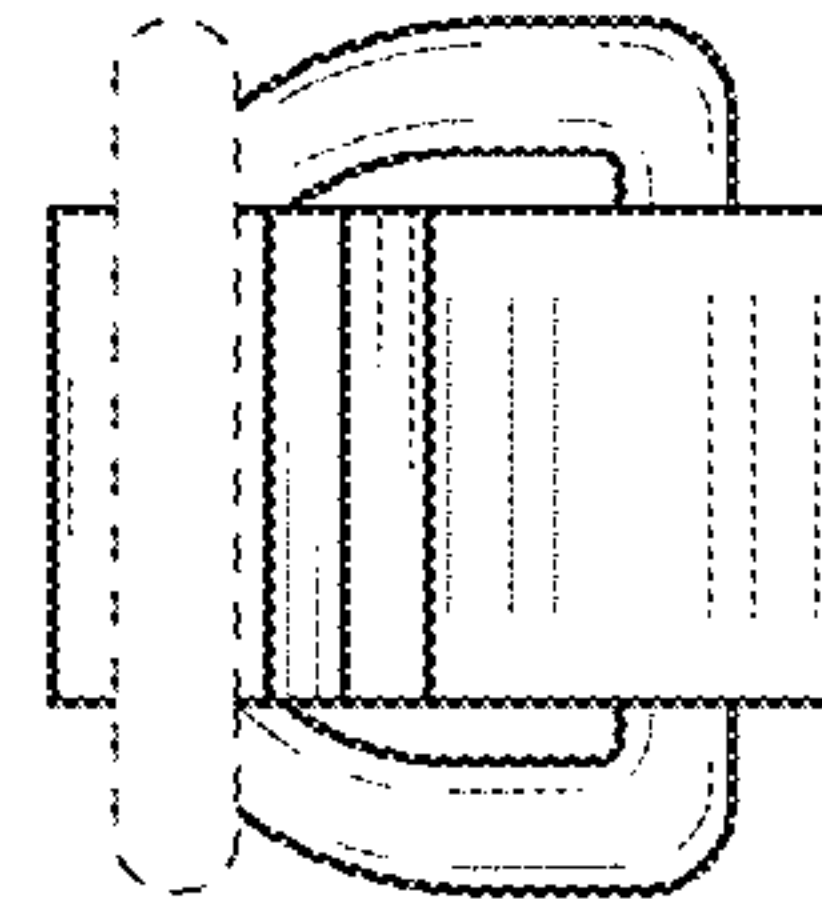


FIG. 10

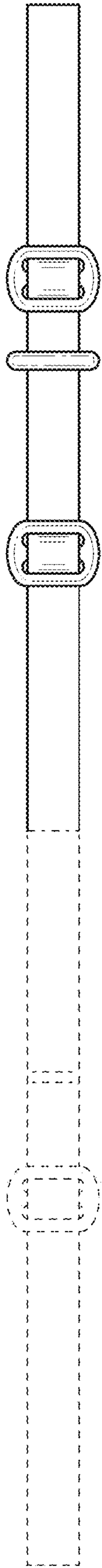


FIG. 12

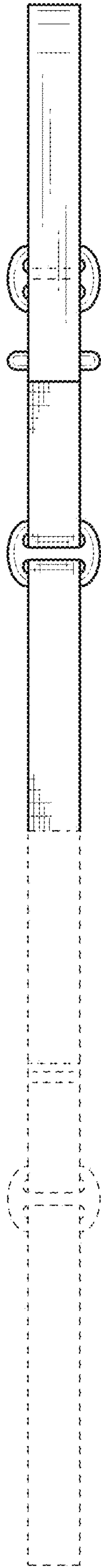


FIG. 13

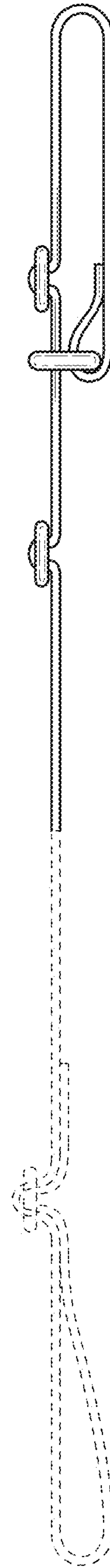


FIG. 14