



US00D936297S

(12) **United States Design Patent** (10) **Patent No.:** **US D936,297 S**
Yin (45) **Date of Patent:** **** Nov. 16, 2021**

(54) **PET SHOE**
(71) Applicant: **Song Yin**, Dengzhou (CN)
(72) Inventor: **Song Yin**, Dengzhou (CN)
(**) Term: **15 Years**
(21) Appl. No.: **29/762,595**
(22) Filed: **Dec. 17, 2020**
(51) **LOC (13) Cl.** **30-01**
(52) **U.S. Cl.**
USPC **D30/146**
(58) **Field of Classification Search**
USPC D30/144, 145, 146, 147, 148, 150, 151,
D30/199; D2/626, 829, 860, 897, 902,
D2/909, 914, 919, 943, 947, 980;
D24/188, 189, 192; D21/387; D9/650
CPC A01K 13/007; A01K 13/006; A01L 3/02;
A01L 5/00; A01L 1/02
See application file for complete search history.

2011/0041779 A1* 2/2011 Hurwitz A01K 13/007
119/850
2014/0150299 A1* 6/2014 Entler A01K 13/007
36/111
2020/0296930 A1* 9/2020 Whyte A01K 13/007

OTHER PUBLICATIONS

“Lonsuneer: Puppy Soft Sole Nonslip Mesh Boots”. Found online Jul. 26, 2021 at amazon.com. Reference dated Jun. 24, 2014. Retrieved from <https://www.amazon.com/LONSUNEER-Breathable-Protect-Nonslip-Reflective/dp/B00NVF7TC8>.
“Petacc: Dog Boots With Anti-Slip Rubber Soles”. Found online Apr. 19, 2018 at amazon.co.uk. Reference dated Aug. 13, 2017. Retrieved from https://www.amazon.co.uk/Petacc-Durable-Protector-Anti-Slip-Dogs-Set/dp/B074SGPVDS/ref=sr_1_25?ie=UTF8&qid=1524150182&sr=8-25&keywords=paw+protector.

(Continued)

Primary Examiner — Kendra Leslie Hamilton
(74) *Attorney, Agent, or Firm* — Justin Lampel

(57) **CLAIM**

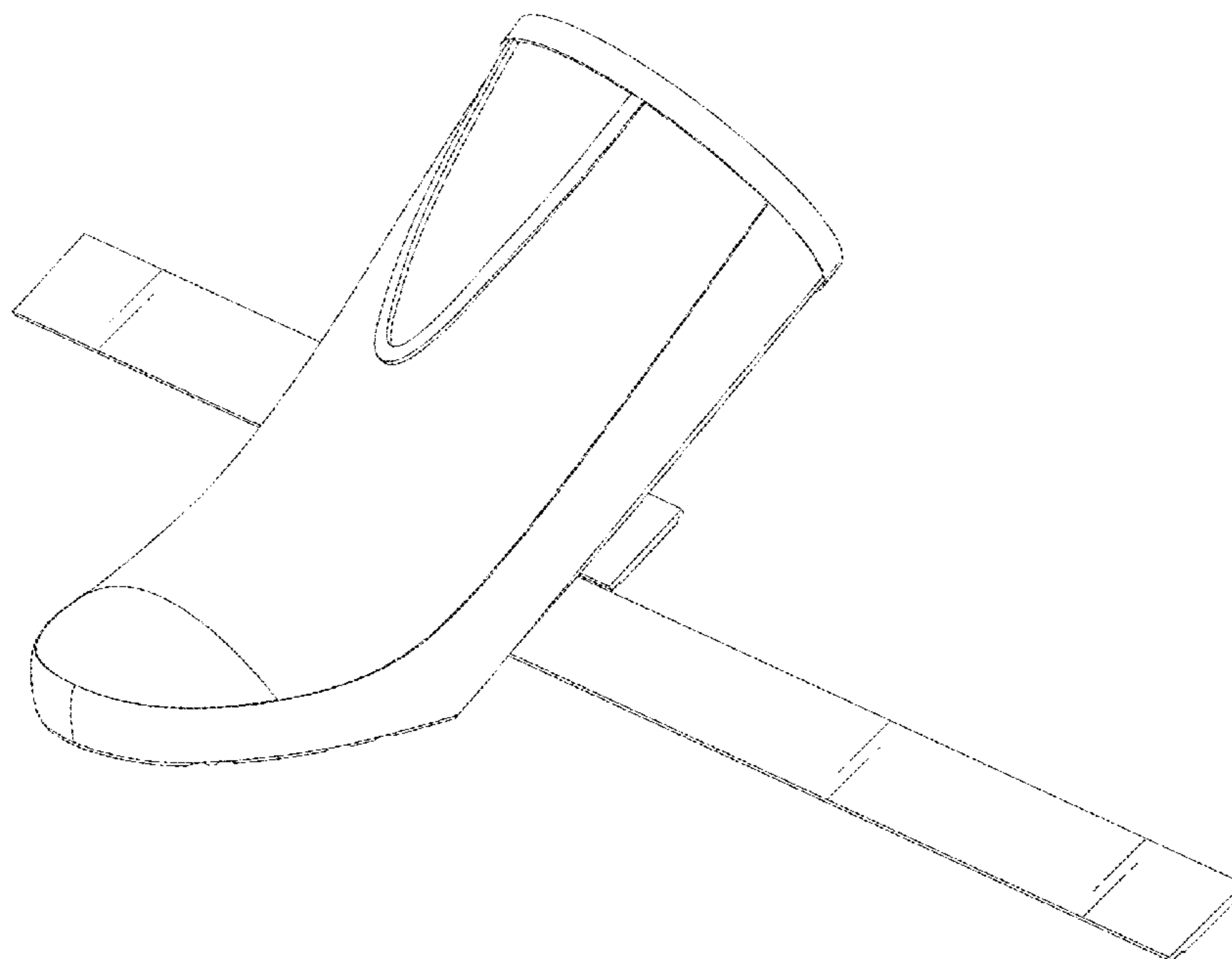
The ornamental design for a pet shoe, as shown and described.

DESCRIPTION

FIG. 1 is a top, front, left perspective view of a pet shoe, showing my new design;
FIG. 2 is a top plan view thereof;
FIG. 3 is a right side elevation view thereof;
FIG. 4 is a front elevation view thereof;
FIG. 5 is a left side elevation view thereof;
FIG. 6 is a rear elevation view thereof; and,
FIG. 7 is a bottom plan view thereof.
In FIGS. 2 and 6, broken lines that depict portions of the pet shoe interior form no part of the claimed design. In FIG. 7, broken lines on the shoe sole depict elements that also form no part of the claimed design.

1 Claim, 7 Drawing Sheets

(56) **References Cited**
U.S. PATENT DOCUMENTS
6,526,920 B1* 3/2003 Griffin A01K 13/007
119/850
D514,262 S 1/2006 Sabeh-Azar
D515,750 S * 2/2006 Alameddine D30/146
D542,483 S * 5/2007 Maloney D30/146
D670,453 S * 11/2012 Knutson D30/146
D811,015 S * 2/2018 Thitz D30/146
D899,035 S * 10/2020 Padilla D2/902
D917,796 S * 4/2021 Harlow D30/146
D924,496 S * 7/2021 Simon D30/146
2005/0241188 A1* 11/2005 Yun A01K 13/007
36/111
2007/0044734 A1* 3/2007 Maloney A01K 13/007
119/850



(56)

References Cited

OTHER PUBLICATIONS

“RC Pet Products: Ultimate Trail Boot”. Found online Jun. 6, 2016 at drsfostersmith.com. Reference dated Feb. 27, 2014. Retrieved from http://www.drsfostersmith.com/product/prod_display.cfm?pcatid=28048.*

“Fashion Pet: Performance Waterproof Boots”. Found online Jun. 6, 2016 at amazon.com. Reference dated Jun. 27, 2014. Retrieved from http://www.amazon.com/Fashion-Pet-Performance-Waterproof-Boots/dp/B00K781BTY/ref=cm_cr_arp_d_product_top?.*

* cited by examiner

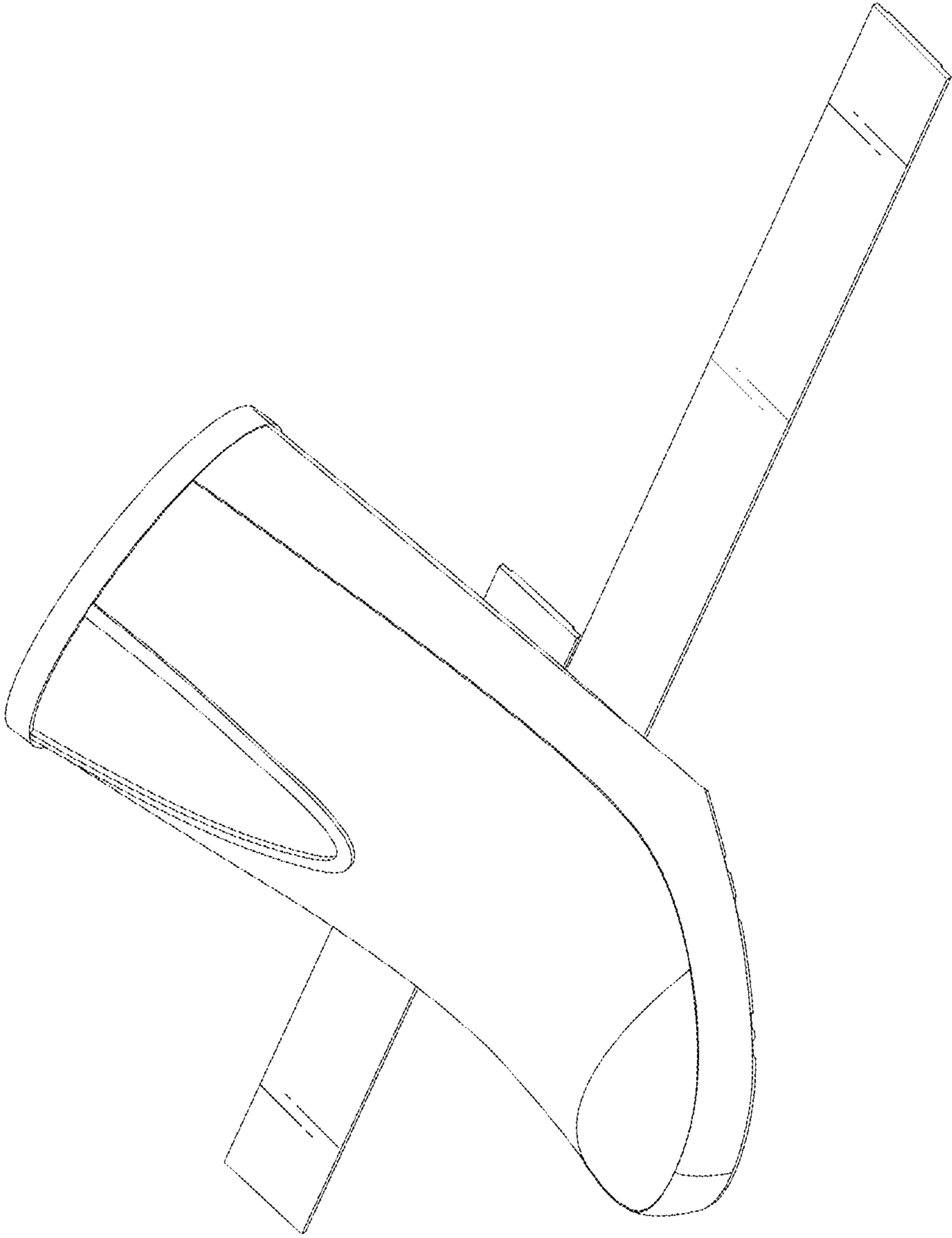


FIG. 1

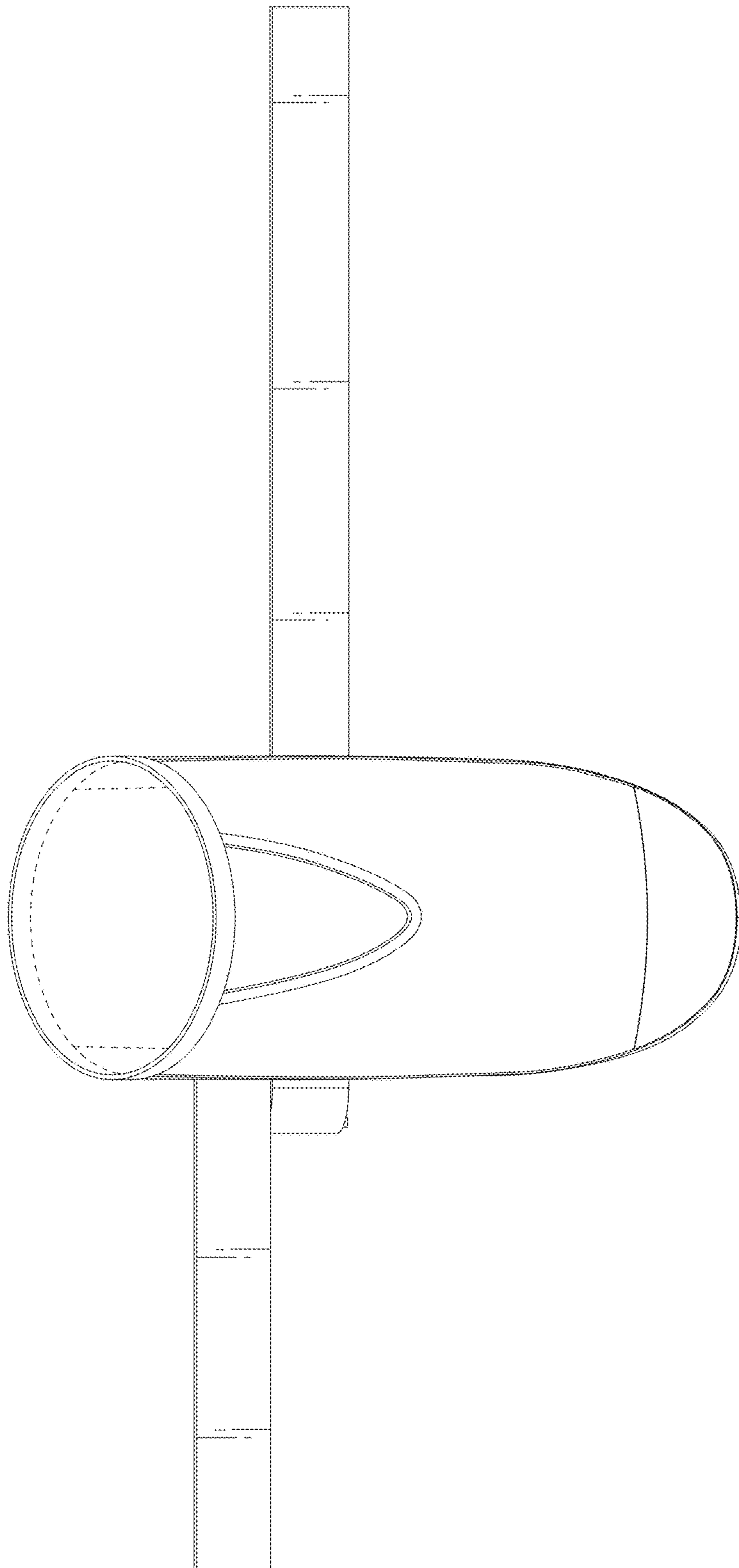


FIG.2

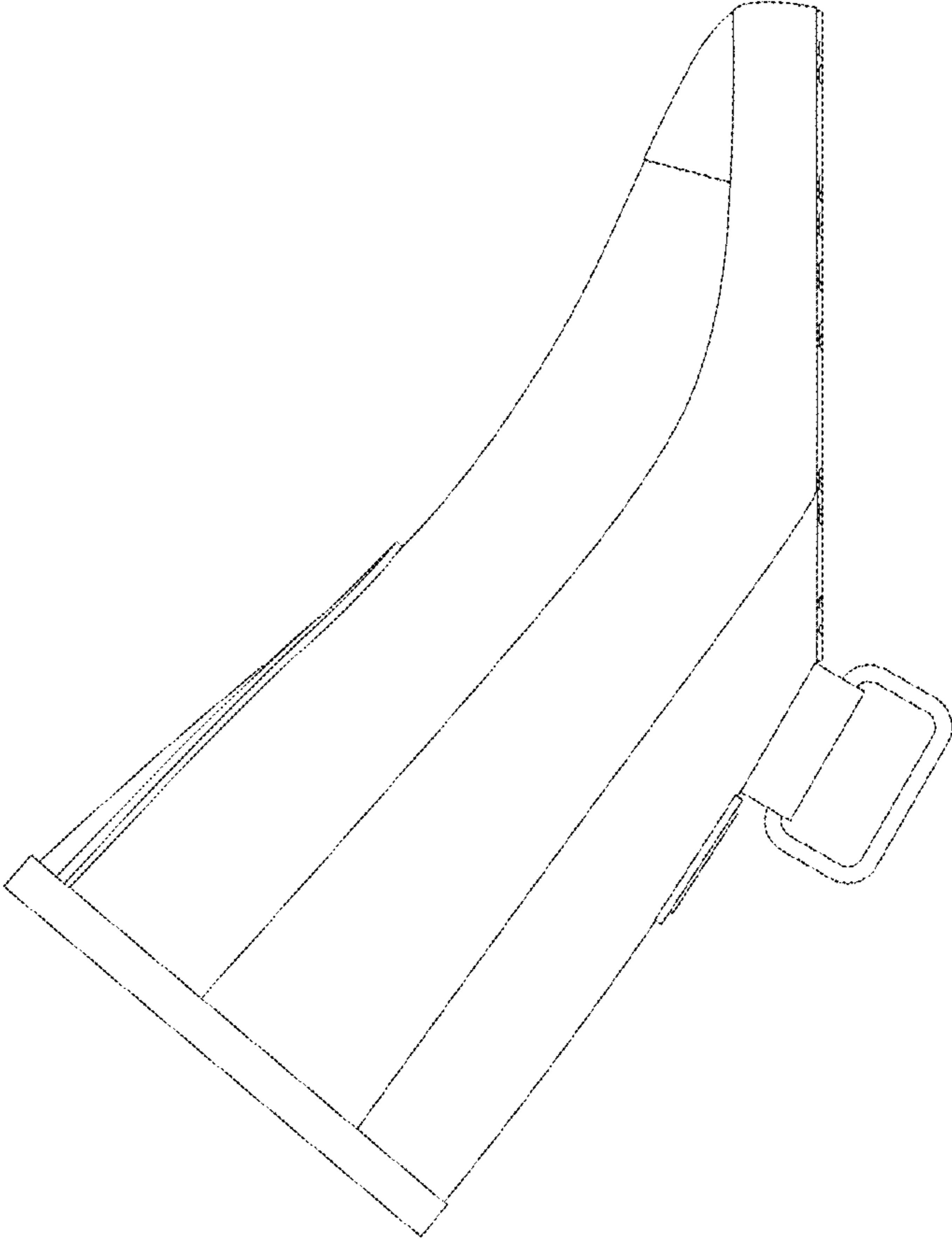


FIG.3

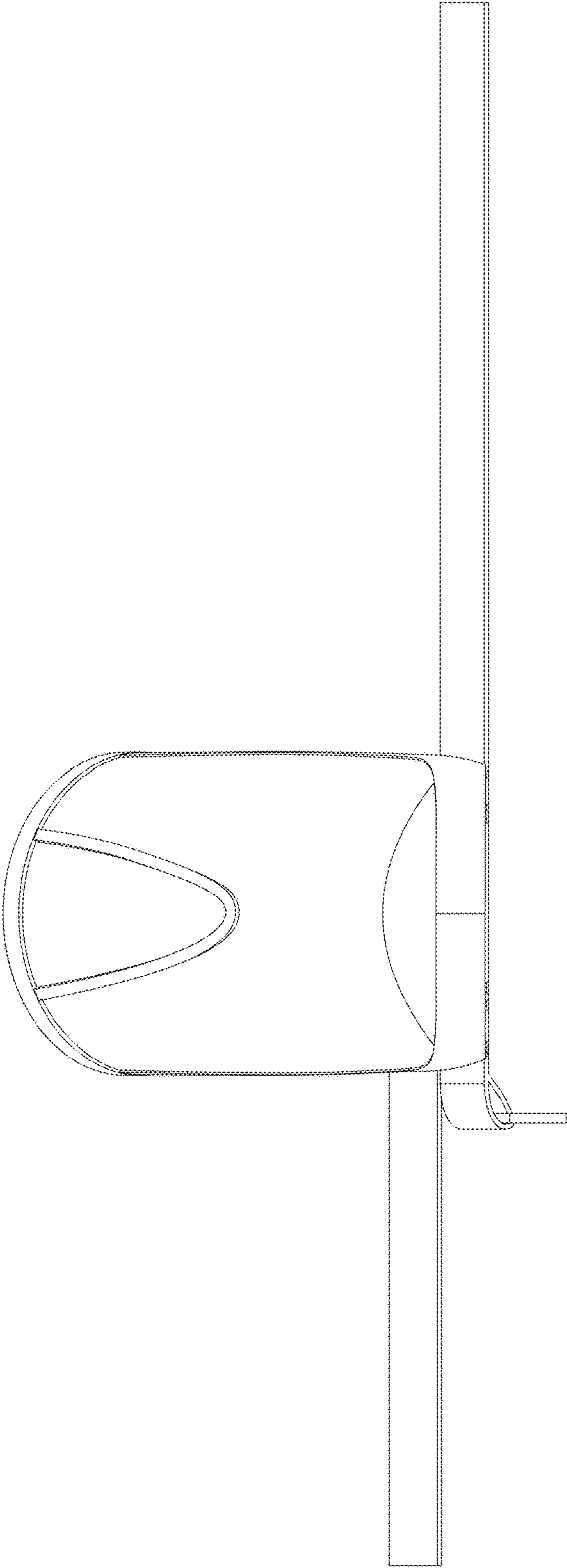


FIG.4

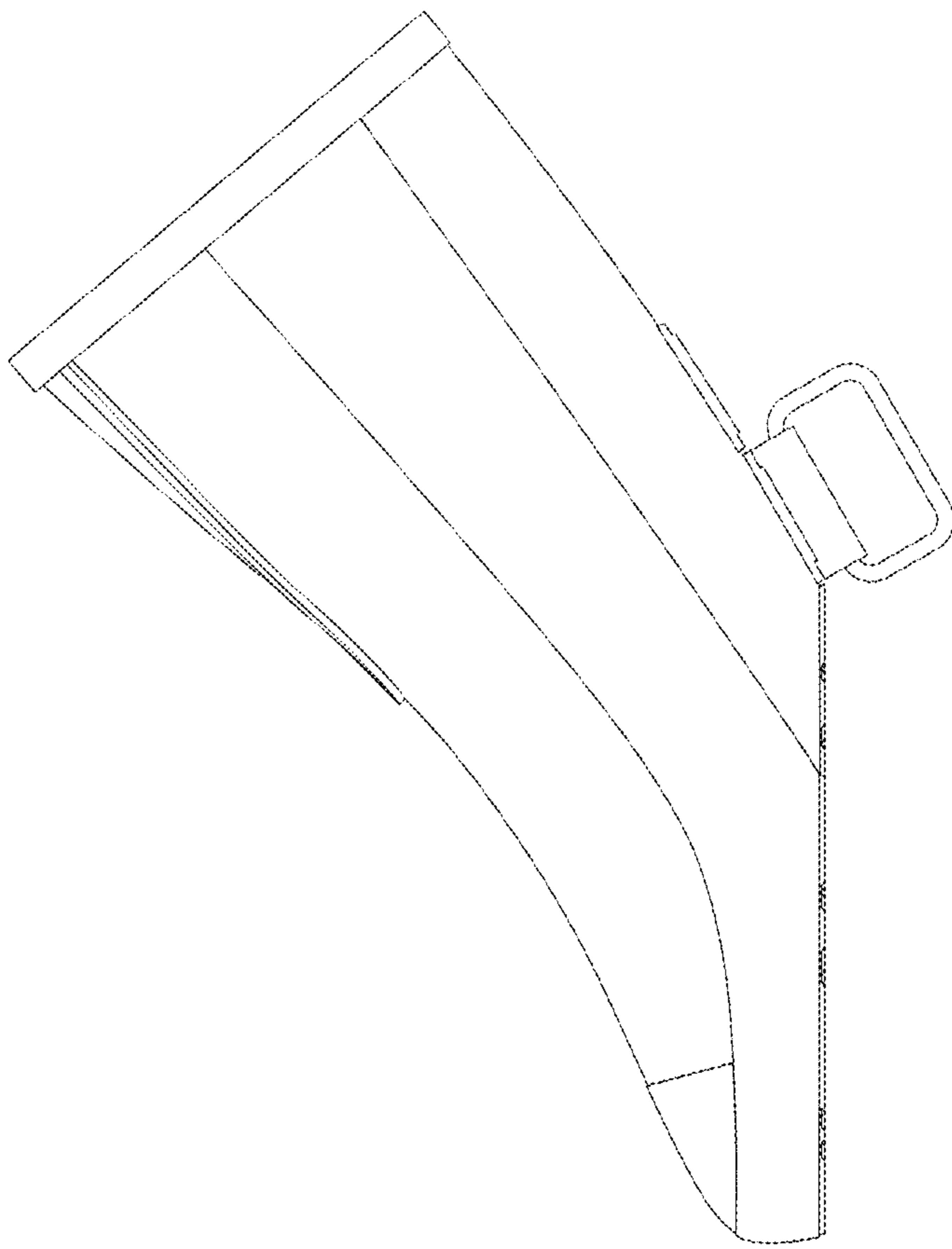


FIG. 5

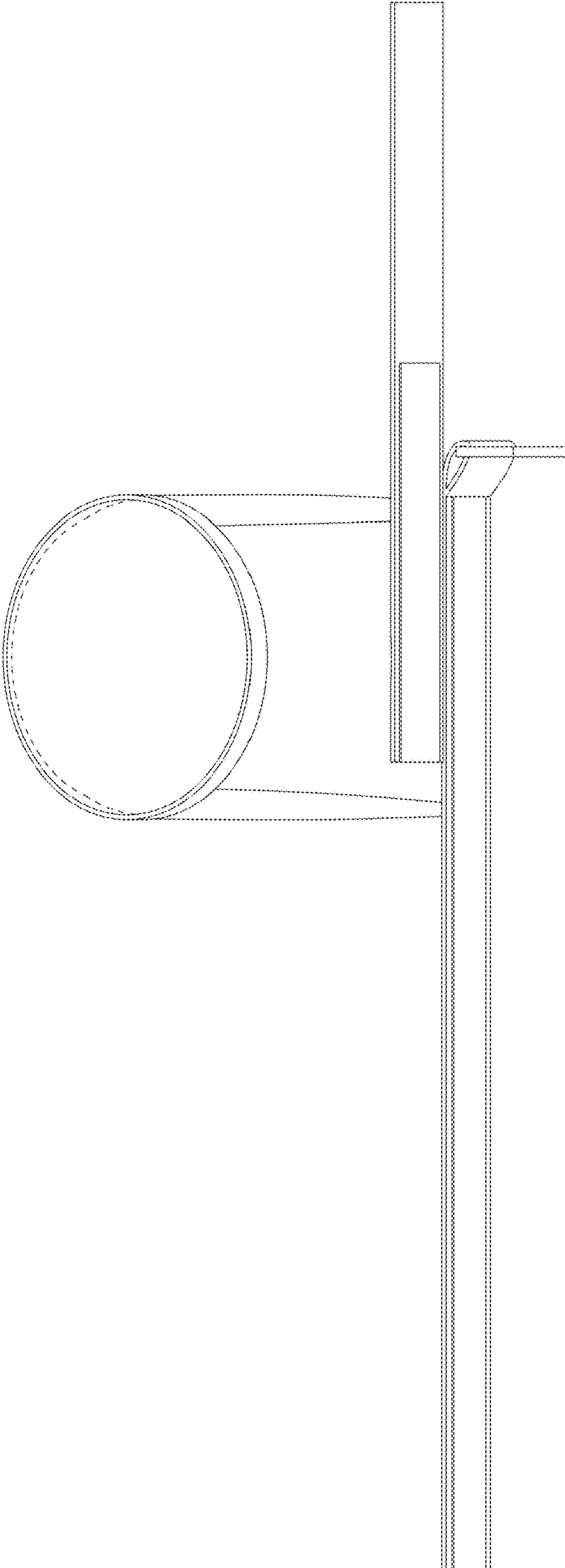


FIG. 6

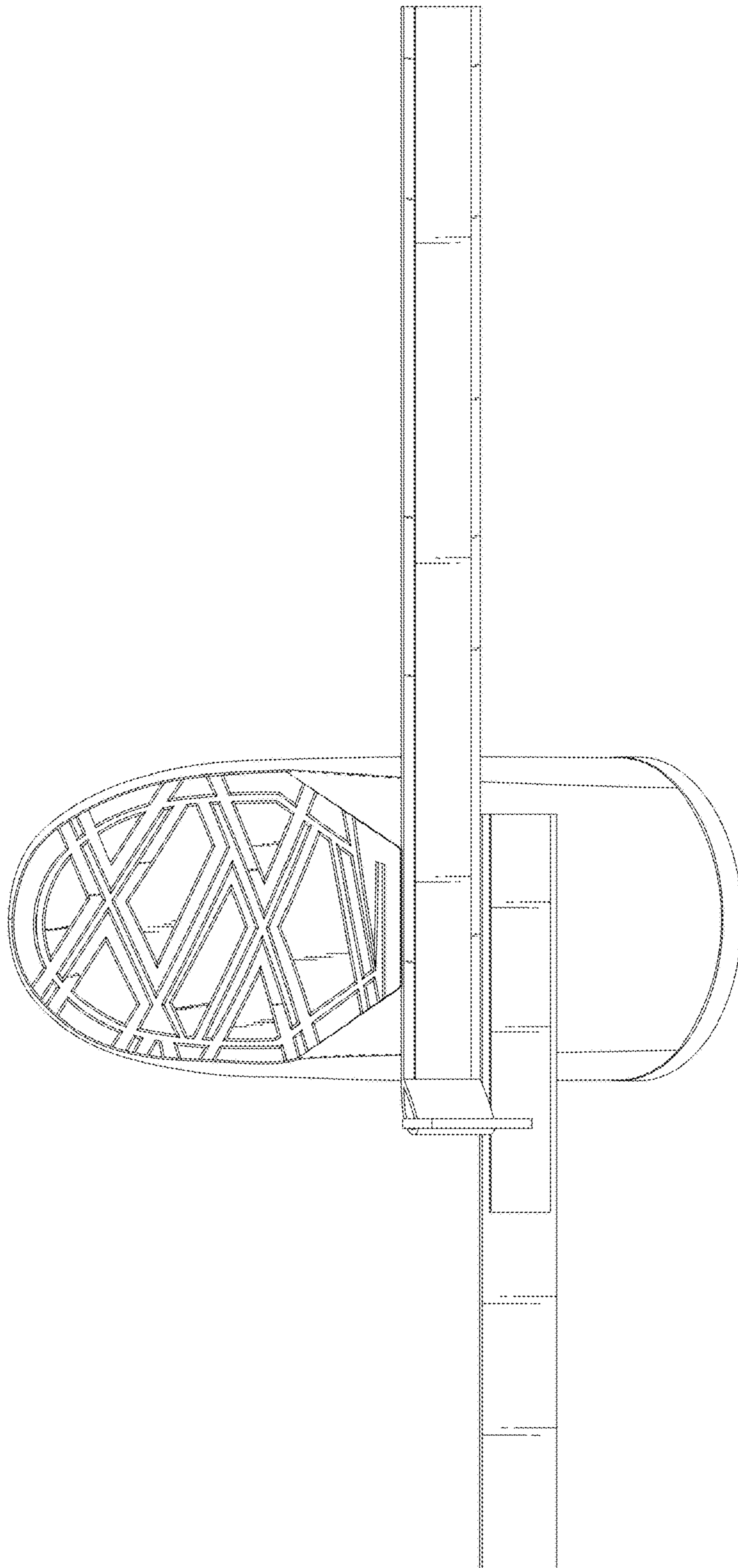


FIG.7