



US00D936295S

(12) **United States Design Patent** (10) **Patent No.:** **US D936,295 S**  
**Chen** (45) **Date of Patent:** **\*\* Nov. 16, 2021**

(54) **AUTOMATIC FISH FEEDER**  
(71) Applicant: **Guangzhou Chiye Intelligent Technology Co., LTD.,** Guangzhou (CN)  
(72) Inventor: **Jilin Chen,** Guangzhou (CN)  
(\*\*) Term: **15 Years**  
(21) Appl. No.: **29/768,725**  
(22) Filed: **Feb. 1, 2021**  
(51) **LOC (13) Cl.** ..... **30-02**  
(52) **U.S. Cl.**  
USPC ..... **D30/106; D30/122**  
(58) **Field of Classification Search**  
USPC ..... D30/101-102, 106, 121-122, 199  
CPC ..... A01K 61/80; A01K 61/85; A01K 61/10; Y02A 40/81  
See application file for complete search history.

(56) **References Cited**  
U.S. PATENT DOCUMENTS  
D287,170 S \* 12/1986 Goldman ..... D30/122  
D312,149 S \* 11/1990 Keil ..... D30/106  
D313,093 S \* 12/1990 Tanaka ..... D30/106  
D383,251 S 9/1997 Zimmerman  
D423,728 S \* 4/2000 Brainard ..... D30/106  
6,694,917 B1 \* 2/2004 Wang ..... A01K 61/85  
119/51.11  
D487,535 S \* 3/2004 Wang ..... D30/122  
D561,406 S \* 2/2008 Mayer ..... D30/106  
D612,549 S 3/2010 Garcia-Lucio  
D622,450 S 8/2010 Beyers  
8,336,492 B1 \* 12/2012 Barley ..... A01K 61/80  
119/51.04  
D704,387 S 5/2014 Shepland  
D814,710 S 4/2018 Watson  
D852,430 S 6/2019 Roger  
10,653,110 B2 \* 5/2020 Pfeiff ..... A01K 61/80

D887,086 S 6/2020 Huang  
D907,303 S 1/2021 Wei  
2006/0207511 A1 \* 9/2006 Deng ..... A01K 61/85  
119/51.04  
2012/0227670 A1 \* 9/2012 Hudson ..... A01K 61/85  
119/51.04  
2019/0110448 A1 \* 4/2019 Wallmeier ..... A01K 61/85

**OTHER PUBLICATIONS**

PROCHE Automatic Fish Feeder Intelligent Fish/Turtle/Goldfish Feeder for Aquarium & Fish Tank | 4 Times | Intelligent Timer Fish Food Dispenser for Trips, Weekend & Vacation. First available Aug. 23, 2017, amazon.com, [online], [site visited Aug. 27, 2021], available from internet URL: [https://www.amazon.com/Automatic-PROCHE-Adjustable-Dispenser-Batteries/dp/B0752G6TF4/ref=asc\\_df\\_B0752G6TF4/?tag=hyprod-20&linkCode...](https://www.amazon.com/Automatic-PROCHE-Adjustable-Dispenser-Batteries/dp/B0752G6TF4/ref=asc_df_B0752G6TF4/?tag=hyprod-20&linkCode...) (Year 2017).\*

(Continued)

*Primary Examiner* — Wan Laymon  
(74) *Attorney, Agent, or Firm* — Runit Ranjit Kanakia

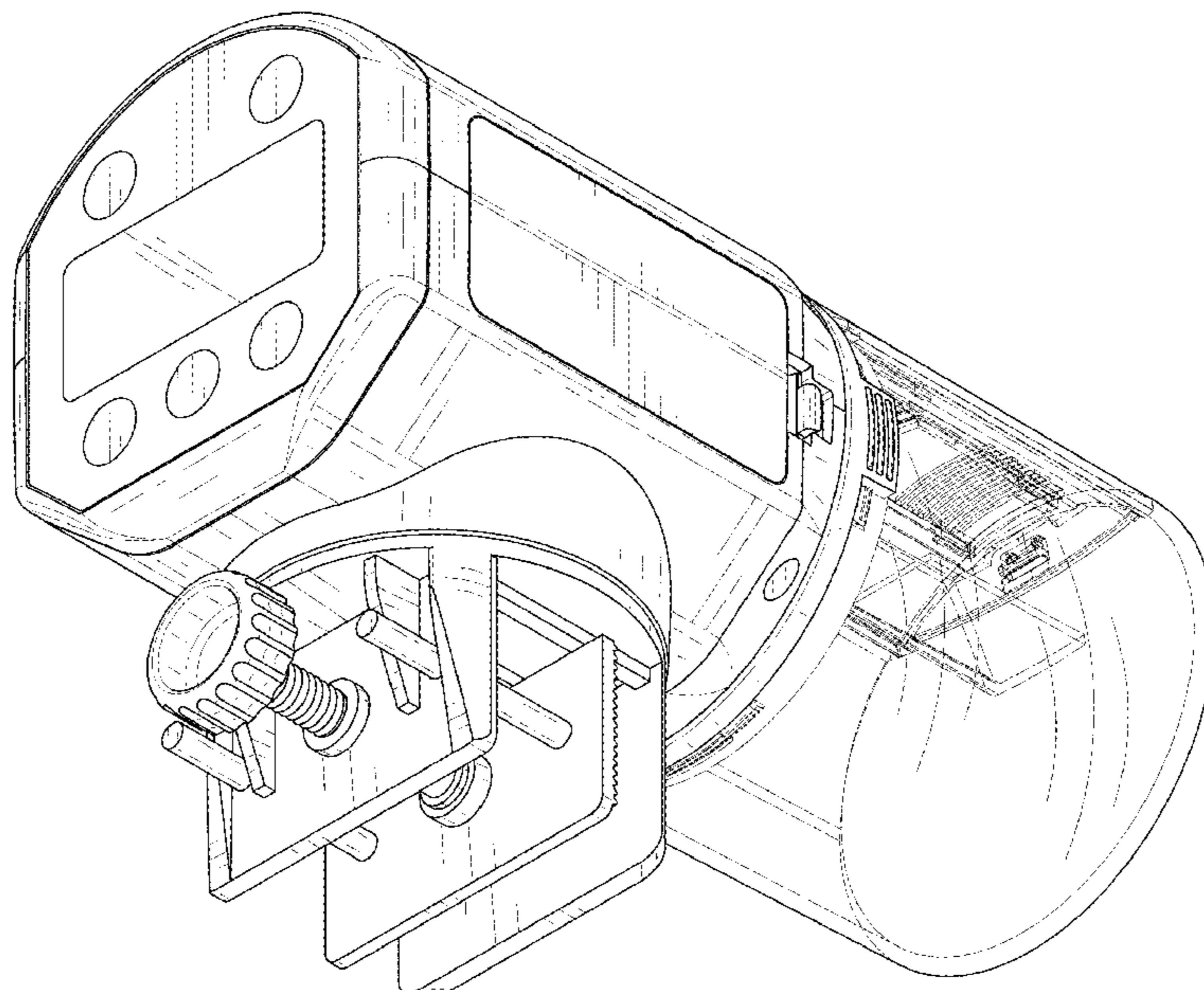
(57) **CLAIM**

The ornamental design for a automatic fish feeder, as shown and described.

**DESCRIPTION**

FIG. 1 is a front view of a automatic fish feeder showing my new design;  
FIG. 2 is a rear view thereof;  
FIG. 3 is a left side view thereof;  
FIG. 4 is a right side view thereof;  
FIG. 5 is a top view thereof;  
FIG. 6 is a bottom view thereof;  
FIG. 7 is a perspective view of a automatic fish feeder showing my new design; and,  
FIG. 8 is another perspective view thereof.

**1 Claim, 8 Drawing Sheets**



(56)

**References Cited**

OTHER PUBLICATIONS

FYD Automatic Fish Feeder, Aquarium Auto Fish Feeder Food Timer Dispenser for Small Fish Tank, Vacation, Holidays. First available Apr. 17, 2021, amazon.com, [online], [site visited Aug. 27, 2021], available from internet URL: <https://www.amazon.com/FYD-Automatic-Aquarium-Dispenser-Vacation/dp/B092SBH7C4>. (Year 2021).\*

Zacro Automatic Fish Feeder—Rechargeable Timer Fish Feeder with USB Charger Cable, Fish Food Dispenser for Aquarium or Fish Tank. First available Jan. 14, 2019, amazon.com, [online], [site visited Aug. 27, 2021], available from internet URL: <https://www.amazon.com/Zacro-Automatic-Fish-Feeder-Rechargeable/dp/B07M854WTQ> (Year 2019).\*

\* cited by examiner

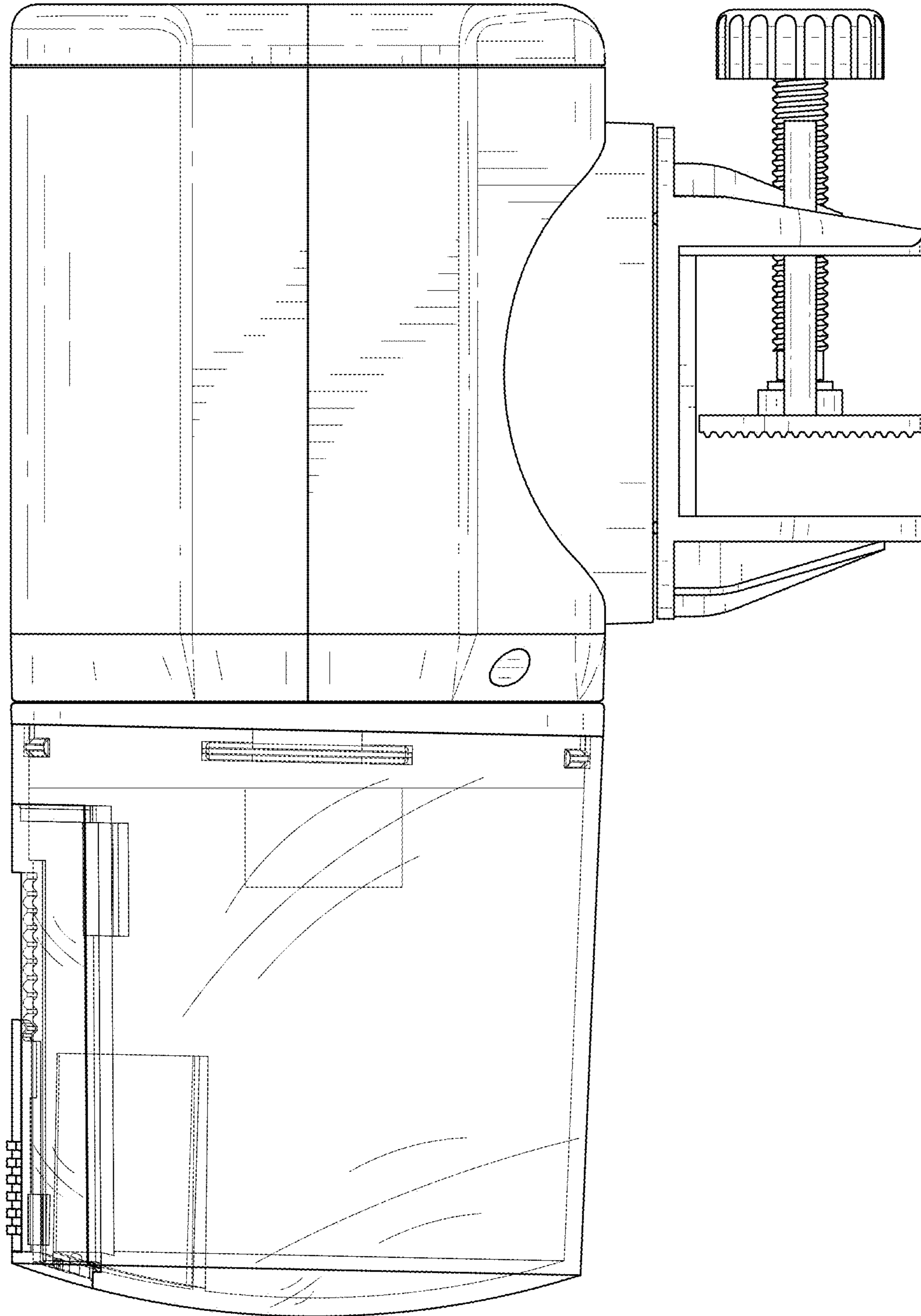


FIG.1

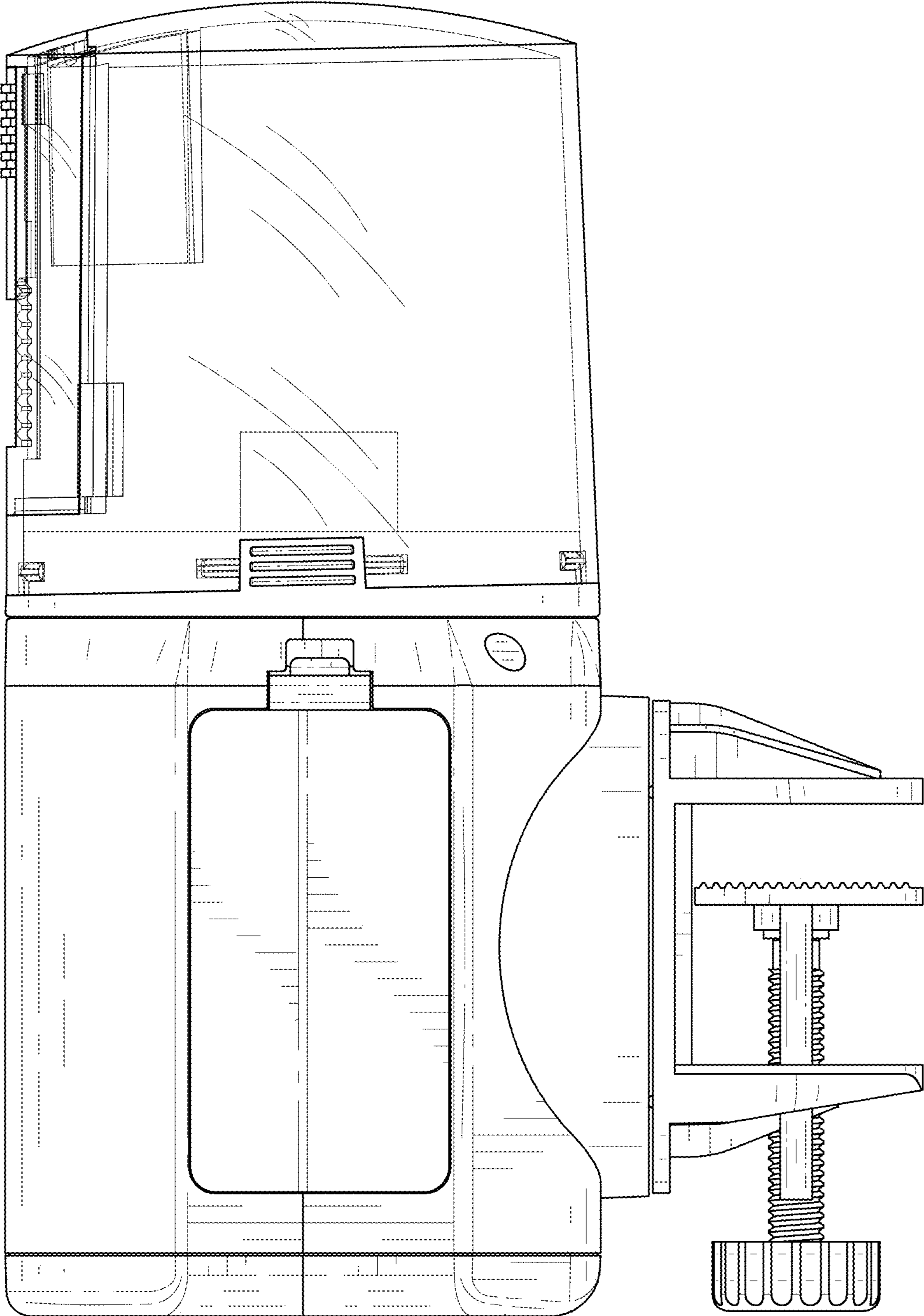


FIG.2

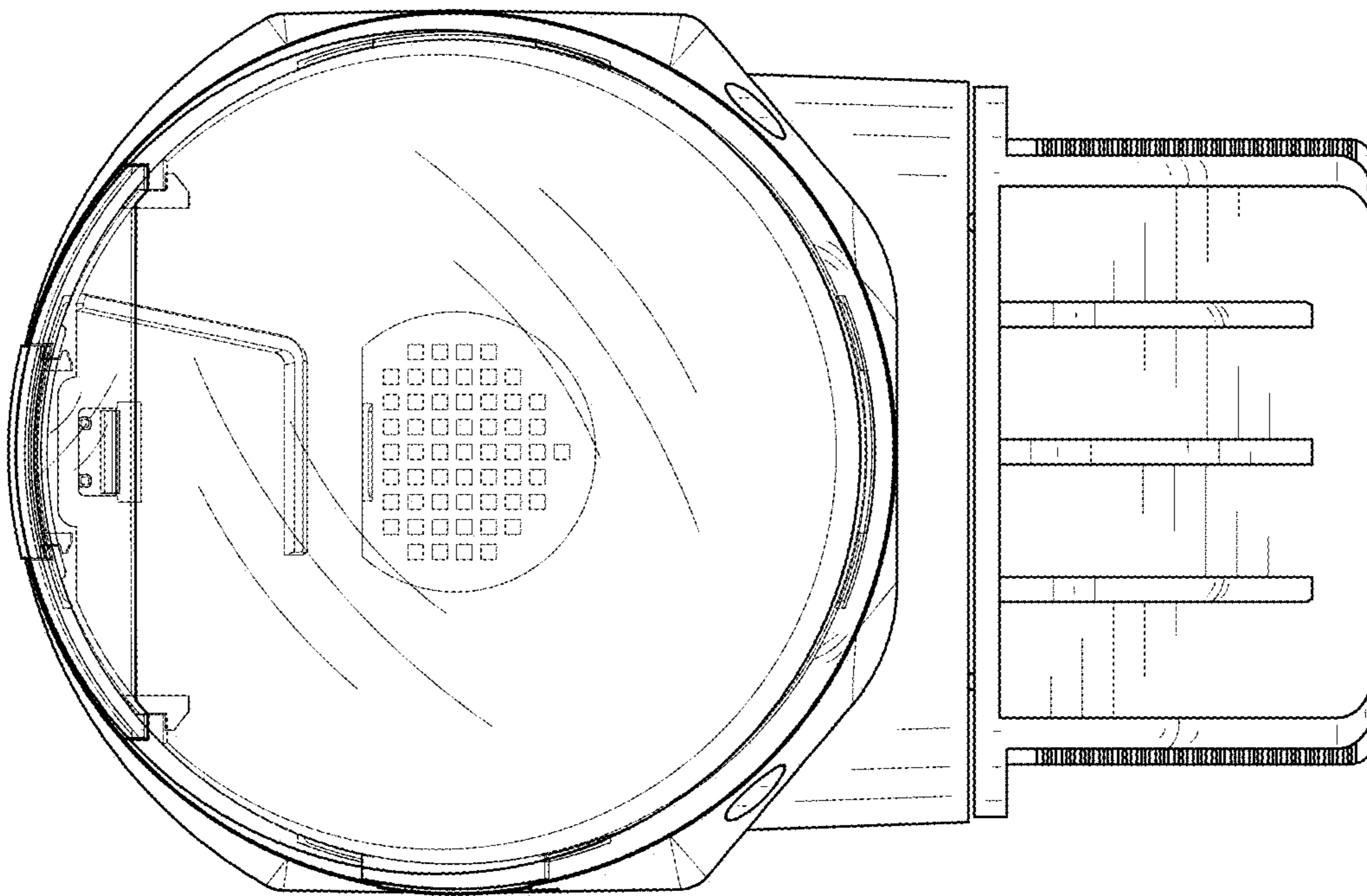


FIG.3

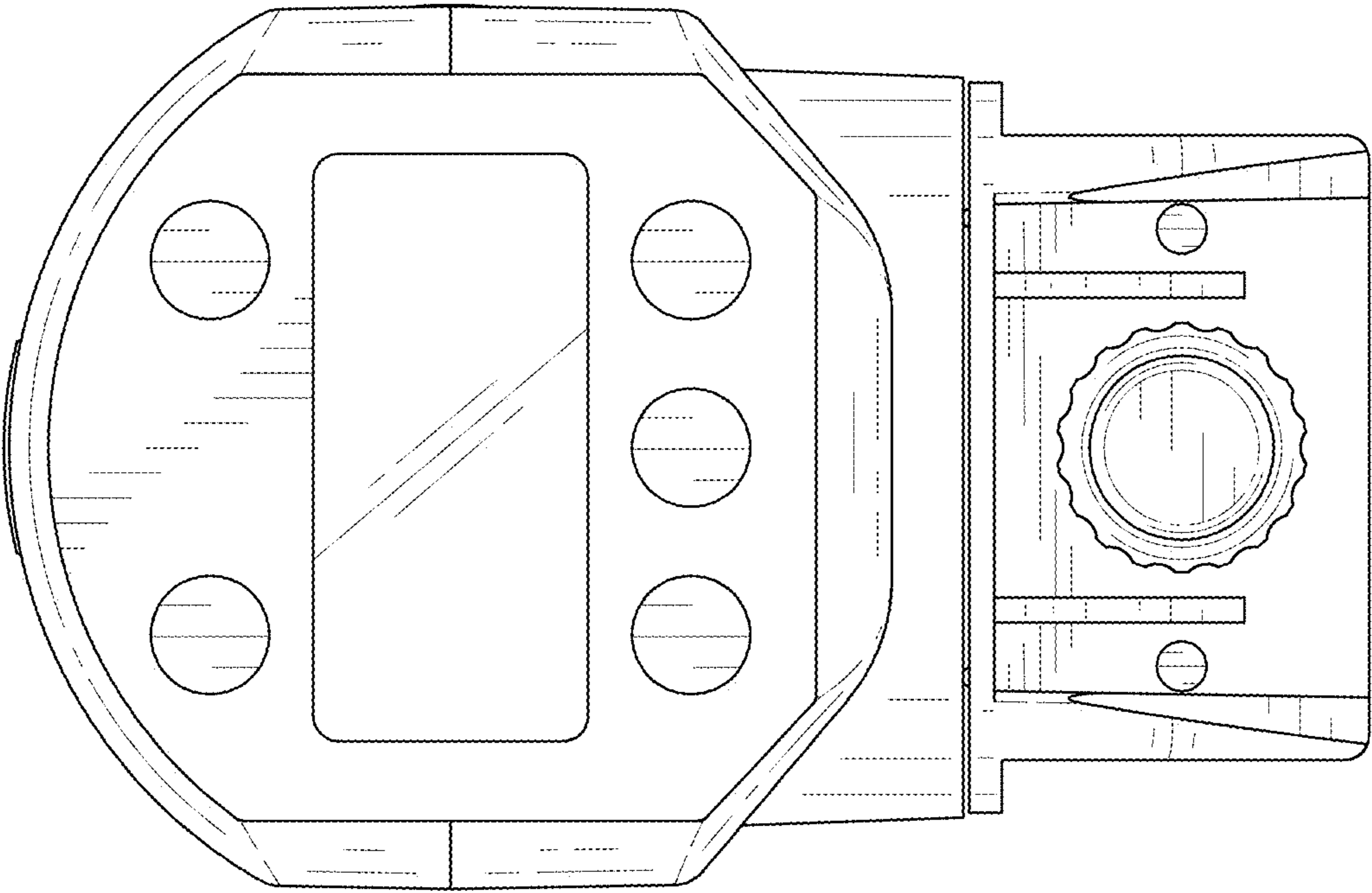


FIG.4

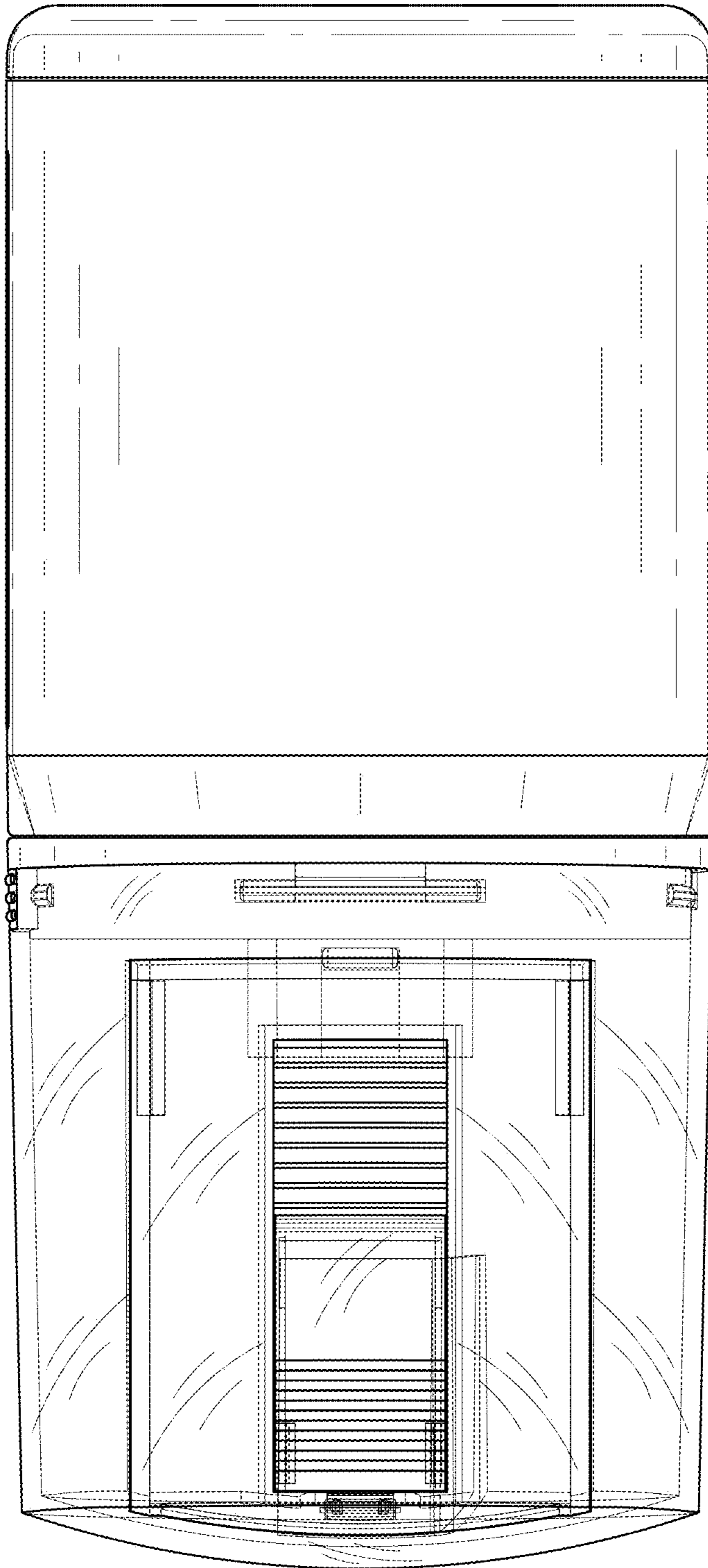


FIG.5

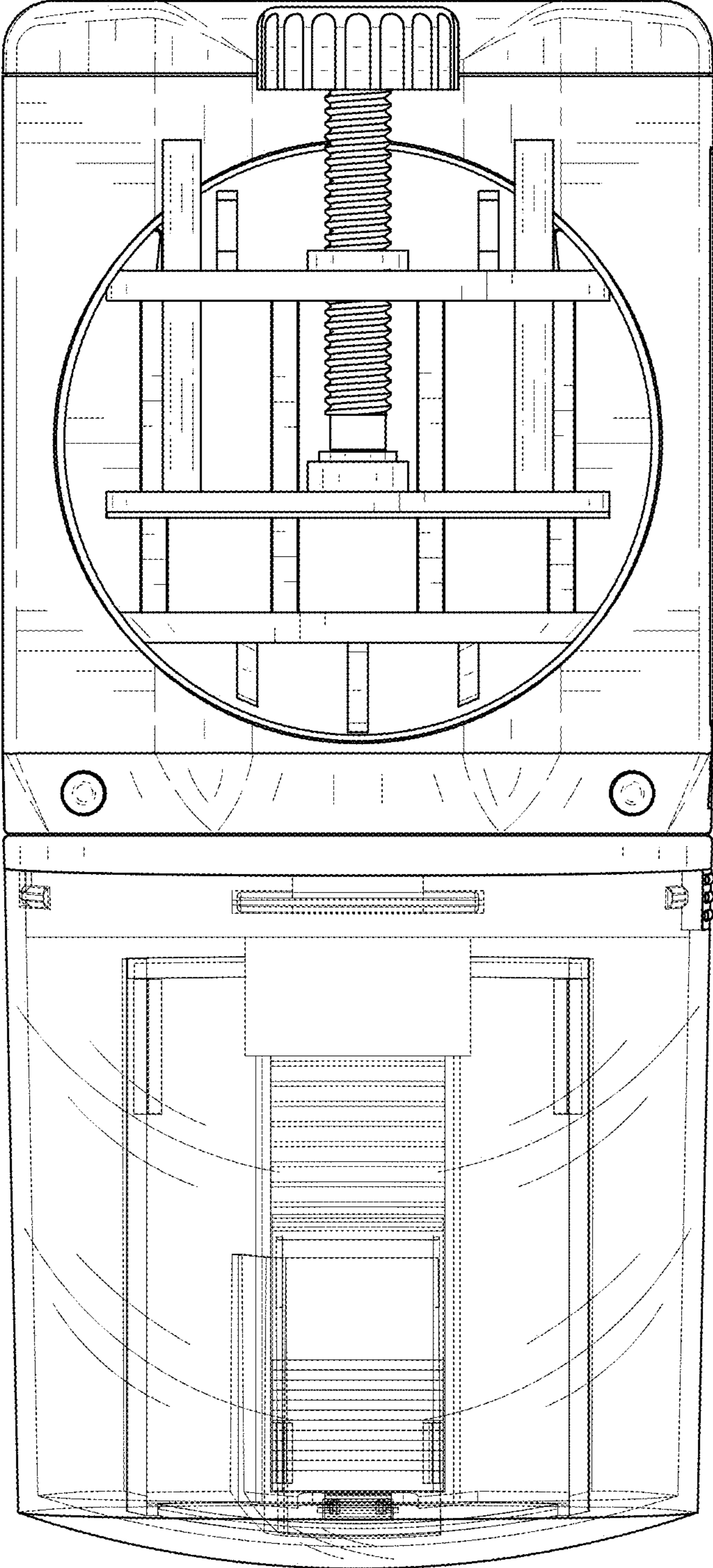


FIG.6



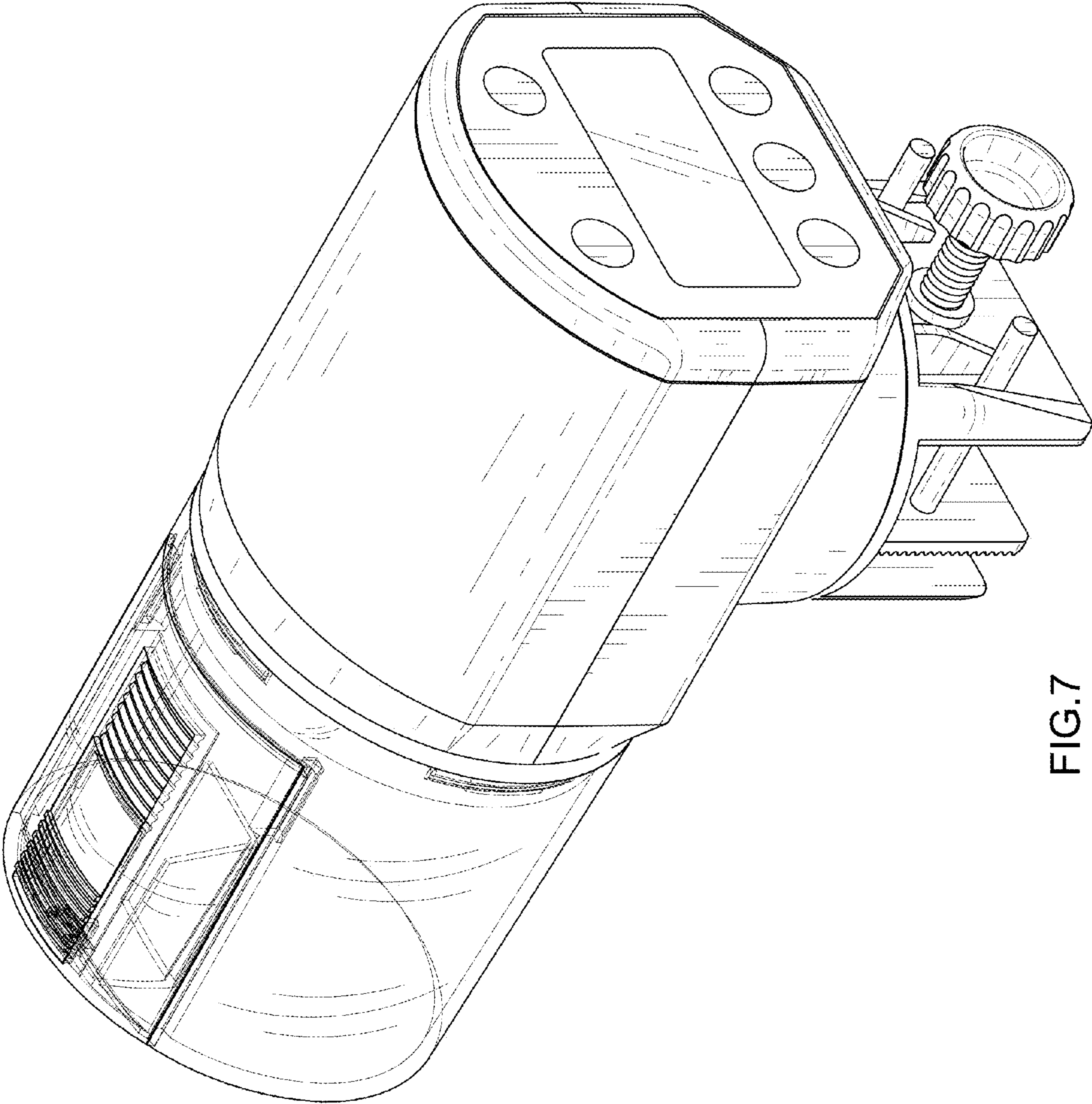


FIG.7

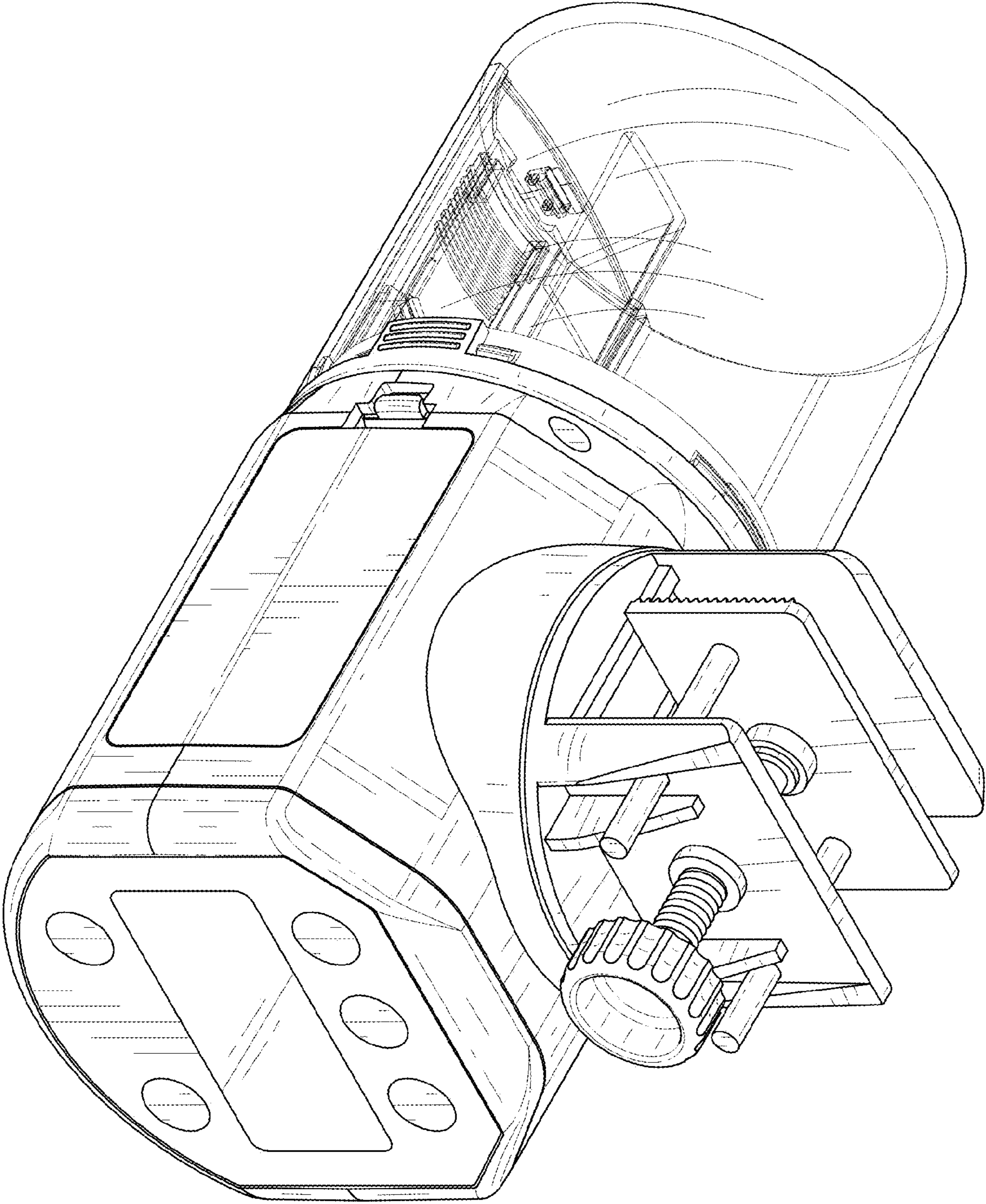


FIG.8