

US00D936291S

(12) **United States Design Patent**
Sun et al.

(10) **Patent No.:** **US D936,291 S**
(45) **Date of Patent:** **** Nov. 16, 2021**

- (54) **EYELASH TRAY**
- (71) Applicant: **Qingdao Lashbeauty Cosmetic Co., Ltd., Qingdao (CN)**
- (72) Inventors: **Simin Sun, Qingdao (CN); Yan Li, Qingdao (CN)**
- (73) Assignee: **Qingdao Lashbeauty Cosmetic Co., Ltd., Qingdao (CN)**
- (**) Term: **15 Years**
- (21) Appl. No.: **29/773,189**
- (22) Filed: **Mar. 8, 2021**
- (30) **Foreign Application Priority Data**
 - Nov. 10, 2020 (CN) 202022584915.5
 - Nov. 10, 2020 (CN) 202030679281.4
- (51) **LOC (13) Cl.** **28-03**
- (52) **U.S. Cl.**
USPC **D28/73**
- (58) **Field of Classification Search**
USPC D28/73, 83, 93; D9/416, 721
CPC A41G 5/02; A45D 44/00; B65D 85/00;
B65D 71/00
See application file for complete search history.

- (56) **References Cited**
U.S. PATENT DOCUMENTS
 - 3,333,593 A * 8/1967 McGivern A45C 11/00
132/217
 - D215,821 S * 11/1969 Aylott D9/721
 - 3,491,775 A * 1/1970 Aylott A41G 5/02
132/313
 - 3,517,673 A * 6/1970 Kim A41G 5/02
132/214
 - D640,834 S * 6/2011 Chen D28/83
 - 9,044,077 B1 6/2015 Lin

9,504,285 B2	11/2016	Lin	
D829,381 S	9/2018	Kim	
10,264,837 B2	4/2019	Park	
10,362,823 B1 *	7/2019	Hill	B65D 85/70
10,588,389 B1	3/2020	Ruiz et al.	
D907,296 S	1/2021	Nguyen	
D910,239 S *	2/2021	Yoo	D28/93
2013/0160787 A1	6/2013	Chae et al.	
2014/0110304 A1	4/2014	Wu et al.	
2015/0216246 A1 *	8/2015	Ahn	A41G 5/02 132/53
2015/0351476 A1 *	12/2015	Lin	B65D 73/00 206/490
2018/0065779 A1 *	3/2018	Chiba	B65D 43/22
2018/0244455 A1	8/2018	Han	
2020/0093211 A1	3/2020	Lee	
2020/0172323 A1 *	6/2020	Story	B65D 85/70
2020/0275718 A1	9/2020	Sharafatdinova	
2020/0288834 A1	9/2020	Haywood	
2020/0359759 A1	11/2020	Ruiz et al.	
2021/0101710 A1 *	4/2021	Ahn	B65D 1/36

* cited by examiner

Primary Examiner — Zenia I Bennett

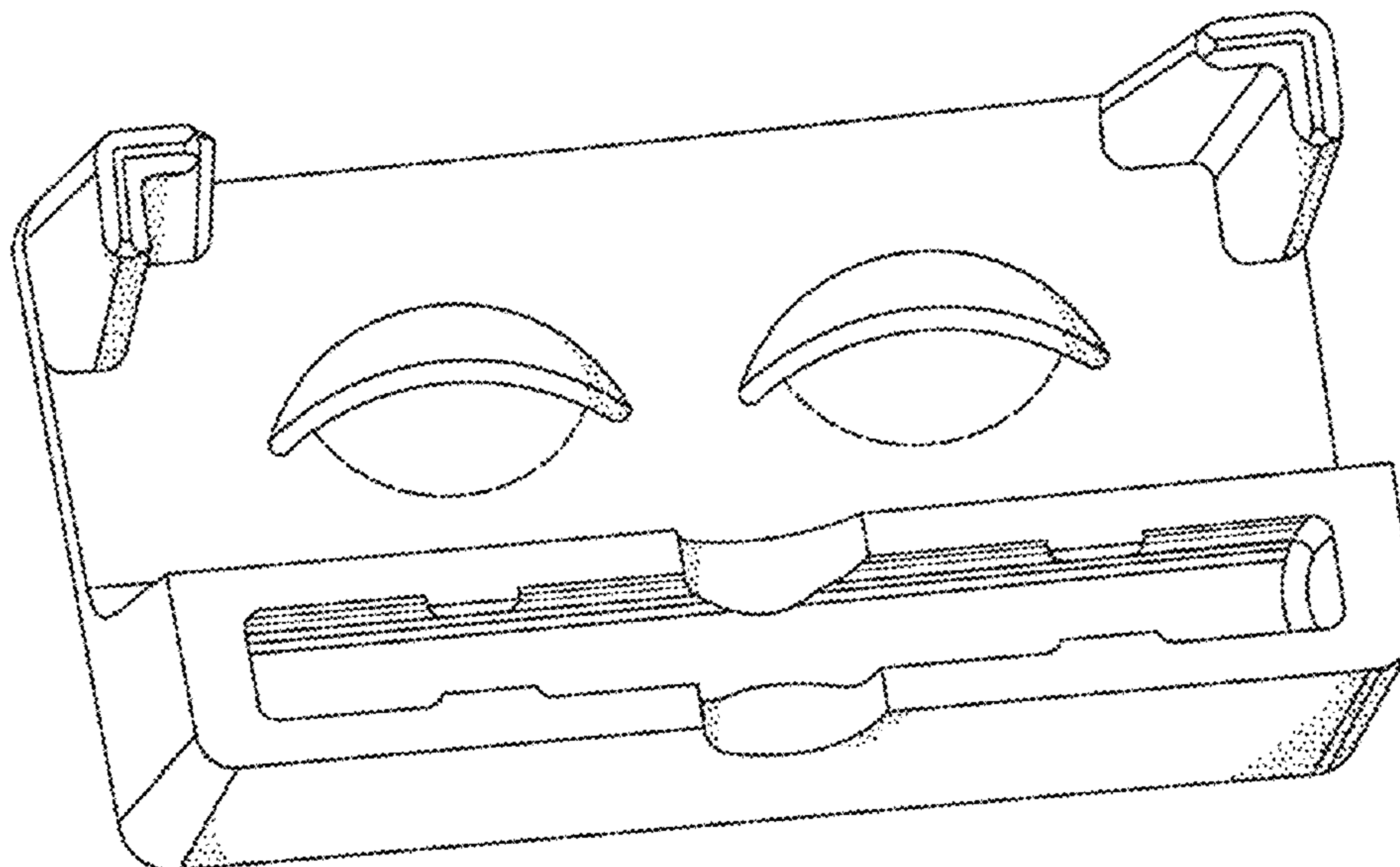
(57) **CLAIM**

The ornamental design of an eyelash tray, as shown and described.

DESCRIPTION

FIG. 1 is a front view of an eyelash case, showing our new design;
 FIG. 2 is a back view thereof;
 FIG. 3 is a left side view thereof;
 FIG. 4 is a right side view thereof;
 FIG. 5 is a top view thereof;
 FIG. 6 is a bottom view thereof;
 FIG. 7 is front perspective view thereof; and,
 FIG. 8 is back perspective view thereof.
 In the drawings, the broken lines illustrate portions of the article which form no part of the claimed design.

1 Claim, 8 Drawing Sheets



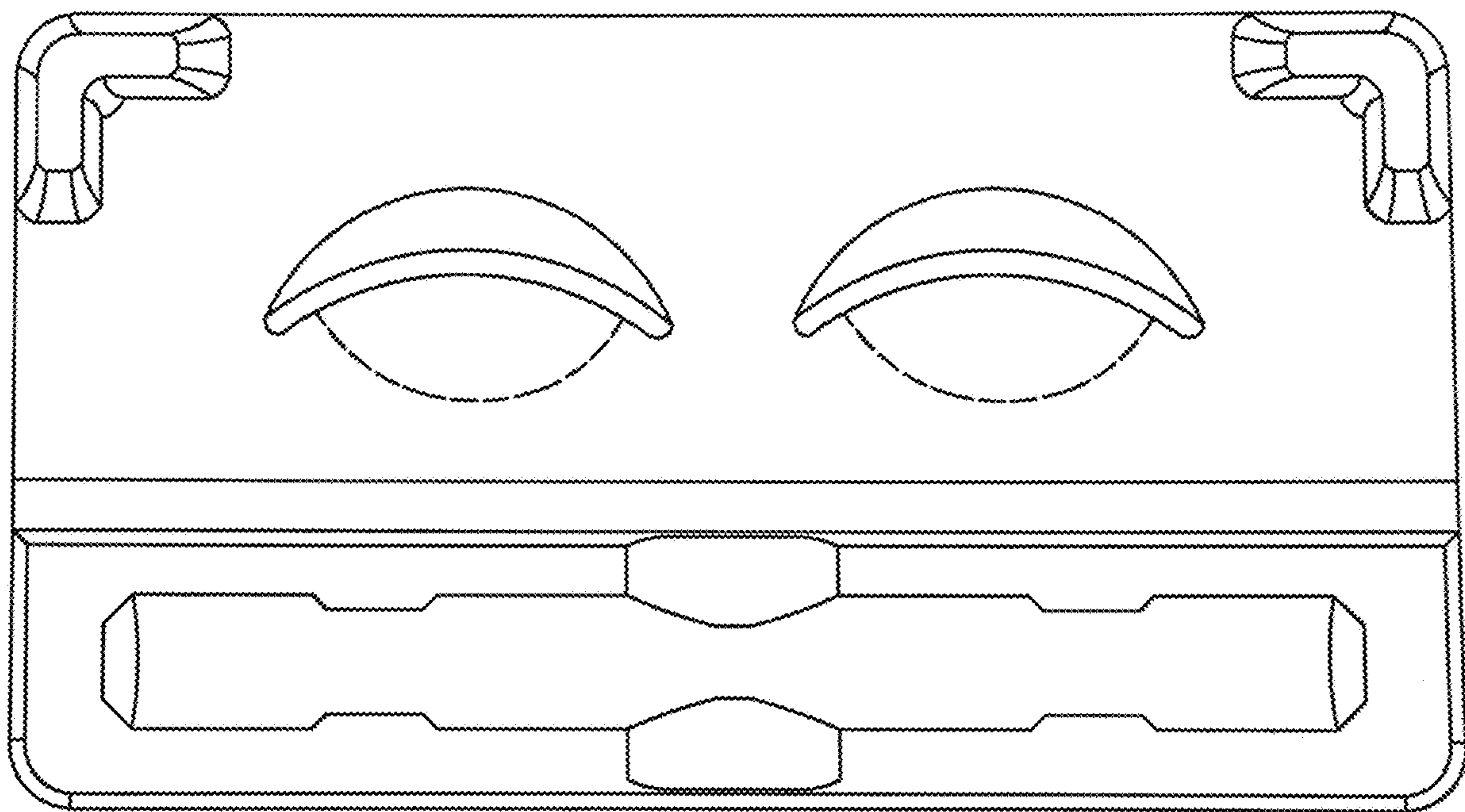


FIG. 1

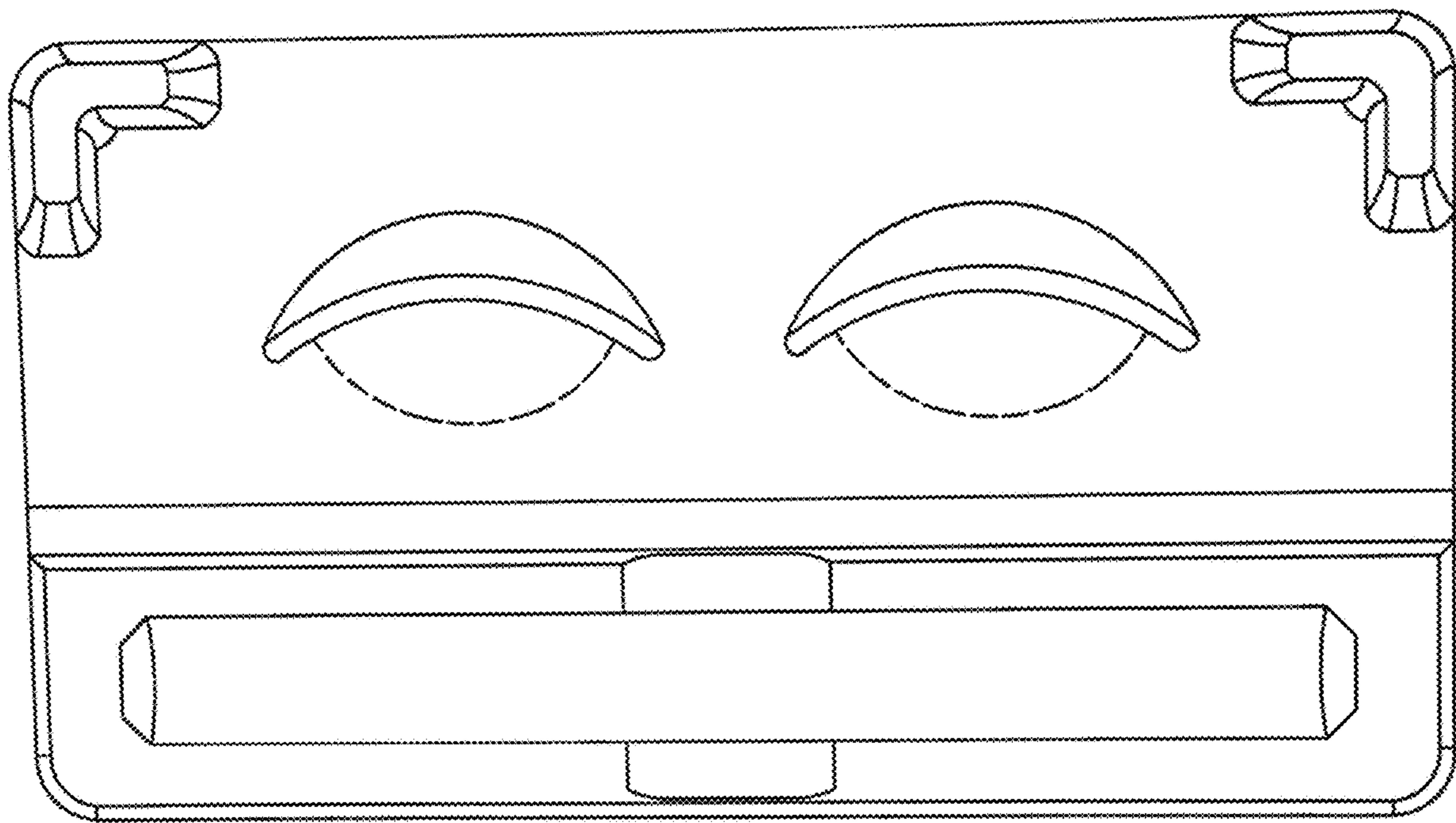


FIG. 2

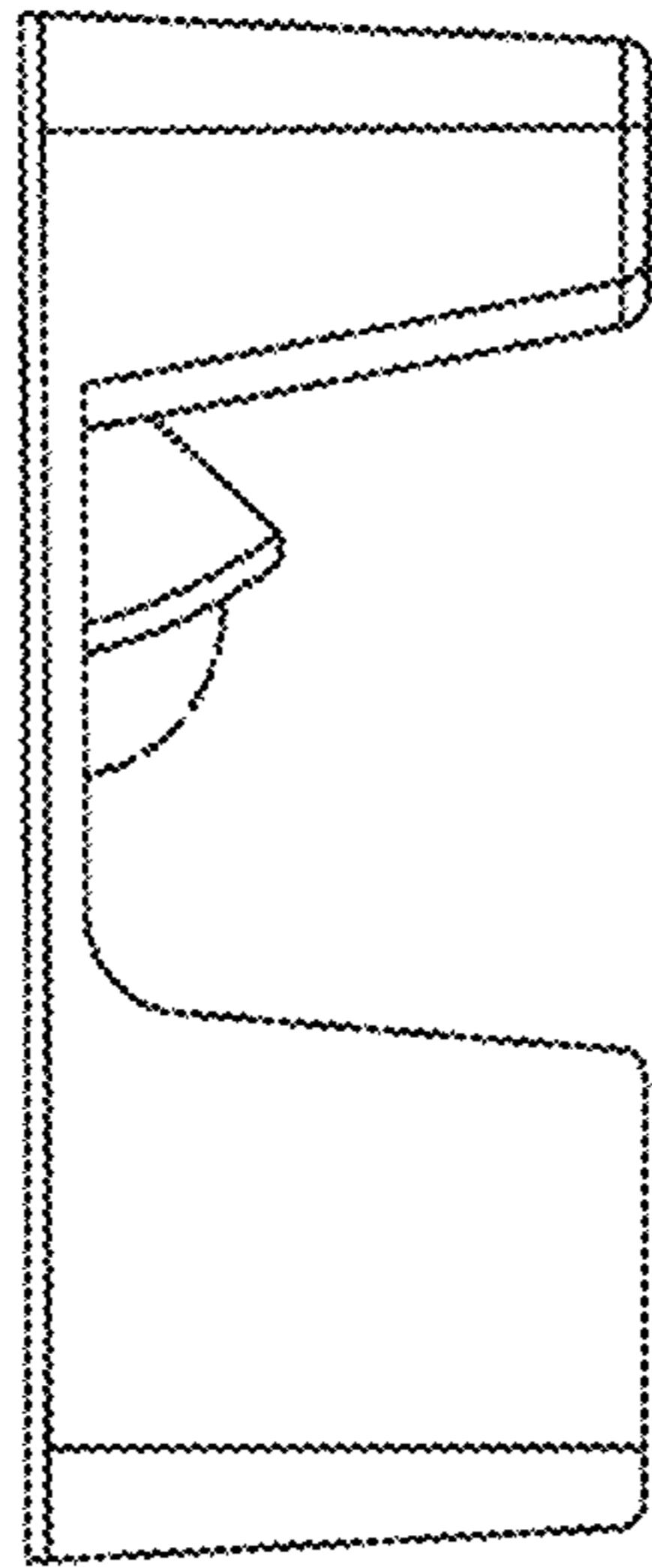


FIG. 3

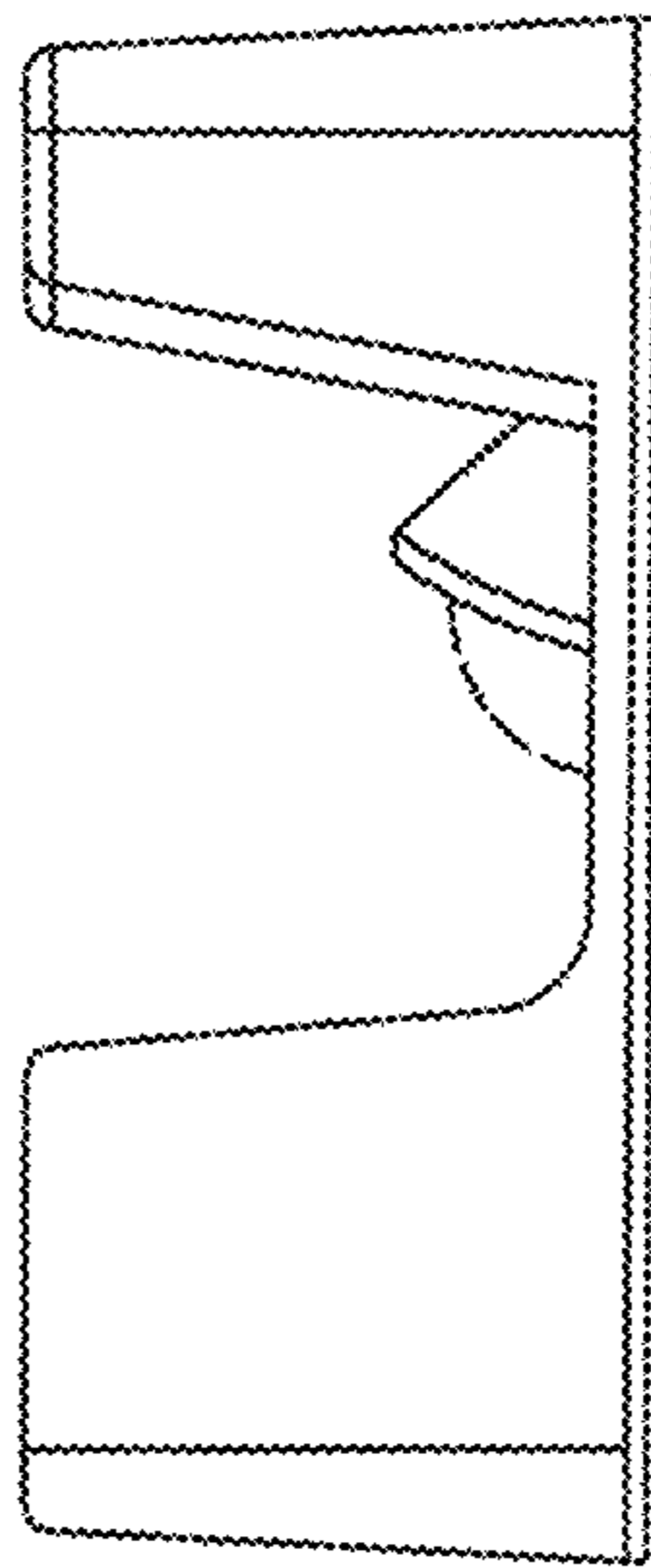


FIG. 4

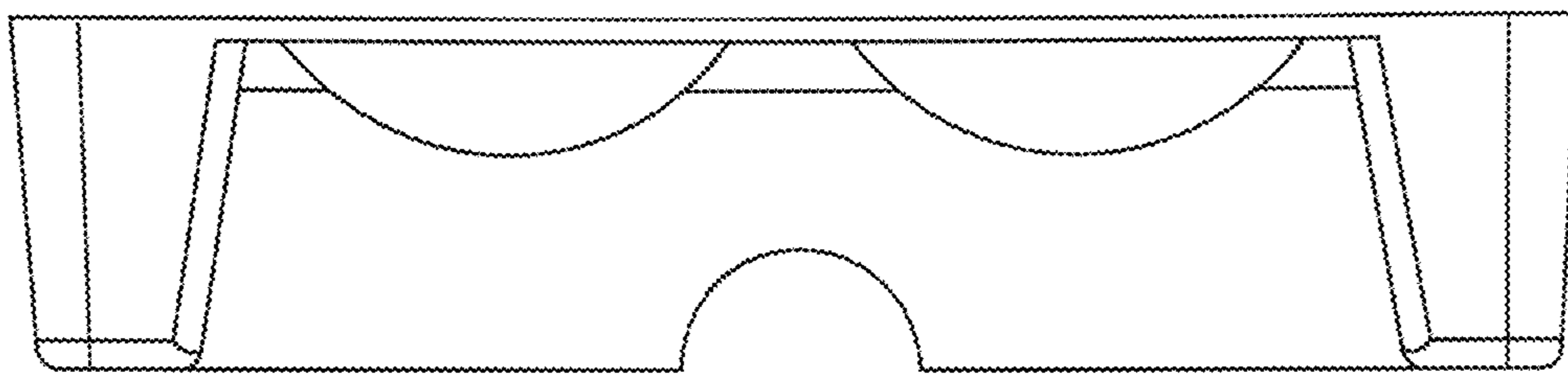


FIG. 5

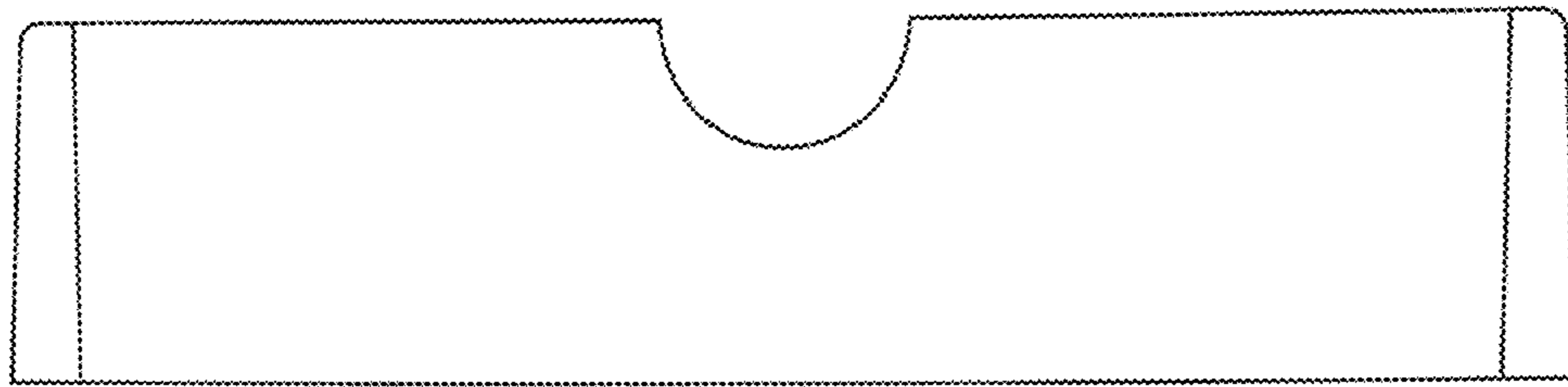


FIG. 6

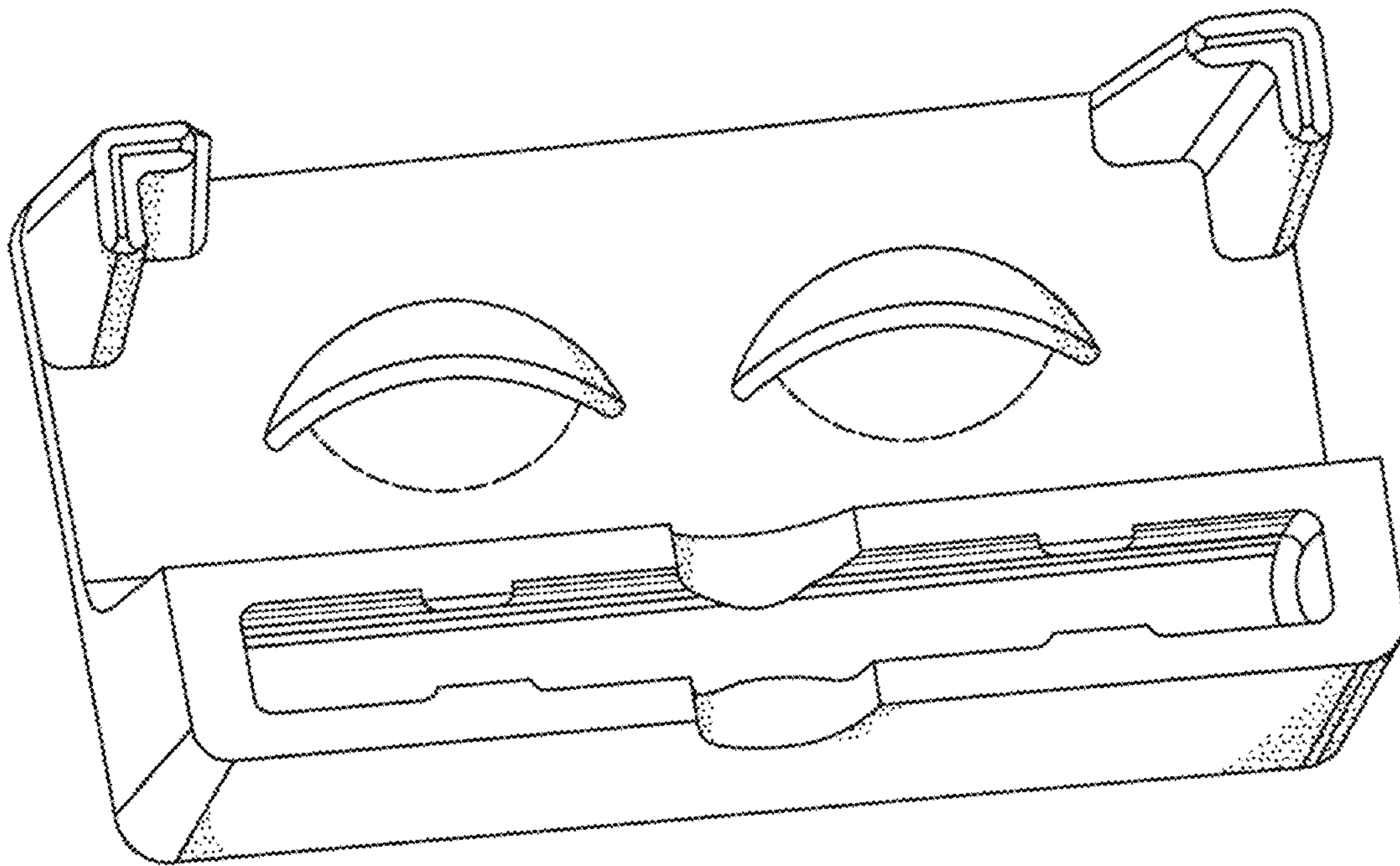


FIG. 7

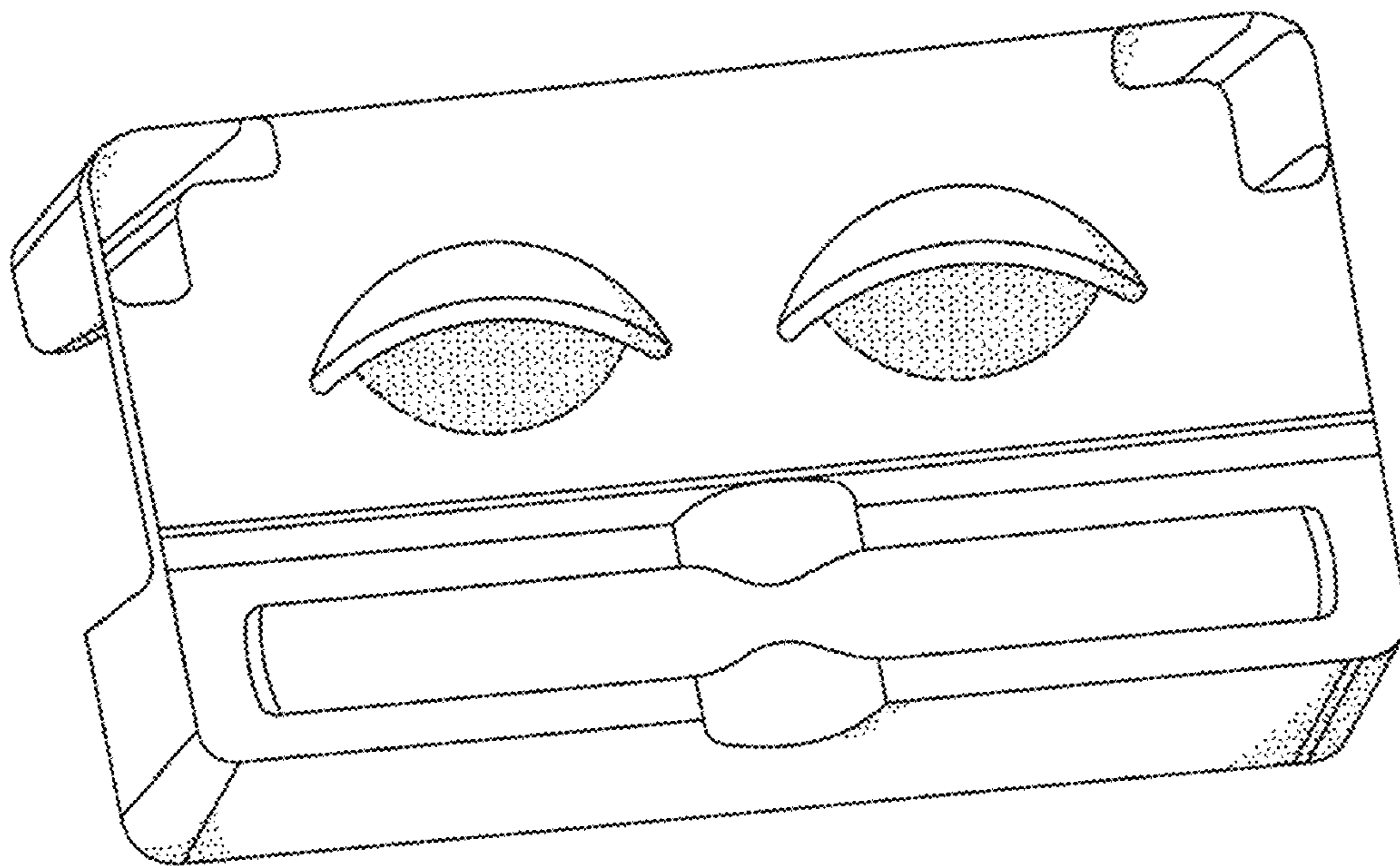


FIG. 8