

US00D936289S

(12) **United States Design Patent** (10) **Patent No.:** **US D936,289 S**
Boss et al. (45) **Date of Patent:** **** Nov. 16, 2021**

(54) **HAIR REMOVAL DEVICE**
(71) Applicant: **Braun GmbH**, Kronberg (DE)
(72) Inventors: **Rüdiger Boss**, Frankfurt (DE); **Philipp Goeder**, Frankfurt (DE); **Lingxuan Kong**, Frankfurt (DE); **Wolfgang Stegmann**, Frankfurt (DE)
(73) Assignee: **Braun GMBH**, Kronberg (DE)

D759,310 S * 6/2016 Van Maanen D28/54
D805,691 S * 12/2017 De Klein D28/51
D824,107 S * 7/2018 Teteak D28/53
D824,108 S * 7/2018 Teteak D28/53
D830,633 S * 10/2018 Gamble D28/53
D830,634 S * 10/2018 Gamble D28/54
D877,415 S * 3/2020 Aulwes et al.
D879,377 S * 3/2020 Dawson D28/54
D880,769 S * 4/2020 Dawson D28/54
D880,770 S * 4/2020 Dawson D28/54
2011/0308087 A1 * 12/2011 Rehbein B26B 19/3886
30/34.1

(**) Term: **15 Years**

OTHER PUBLICATIONS

(21) Appl. No.: **29/700,324**
(22) Filed: **Aug. 1, 2019**
(51) **LOC (13) Cl.** **28-03**
(52) **U.S. Cl.**
USPC **D28/53**
(58) **Field of Classification Search**
USPC D28/49-54
CPC .. B26B 19/38-3826; B26B 19/384-48; B26B 19/12; B26B 19/20-24; B26B 19/00-107
See application file for complete search history.

Eunon Hair Clipper, www.amazon.com, reviewed as early as Nov. 2018, 1 page https://www.amazon.com/s?i=beauty&k=braun%20clipper%20interchangeable&ref=nb_sb_noss&url=search-alias%3Dbeauty (Year: 2018).*

* cited by examiner

Primary Examiner — Jennifer Rivard
(74) *Attorney, Agent, or Firm* — Kevin C. Johnson

(56) **References Cited**

(57) **CLAIM**

The ornamental design for a hair removal device, as shown and described above.

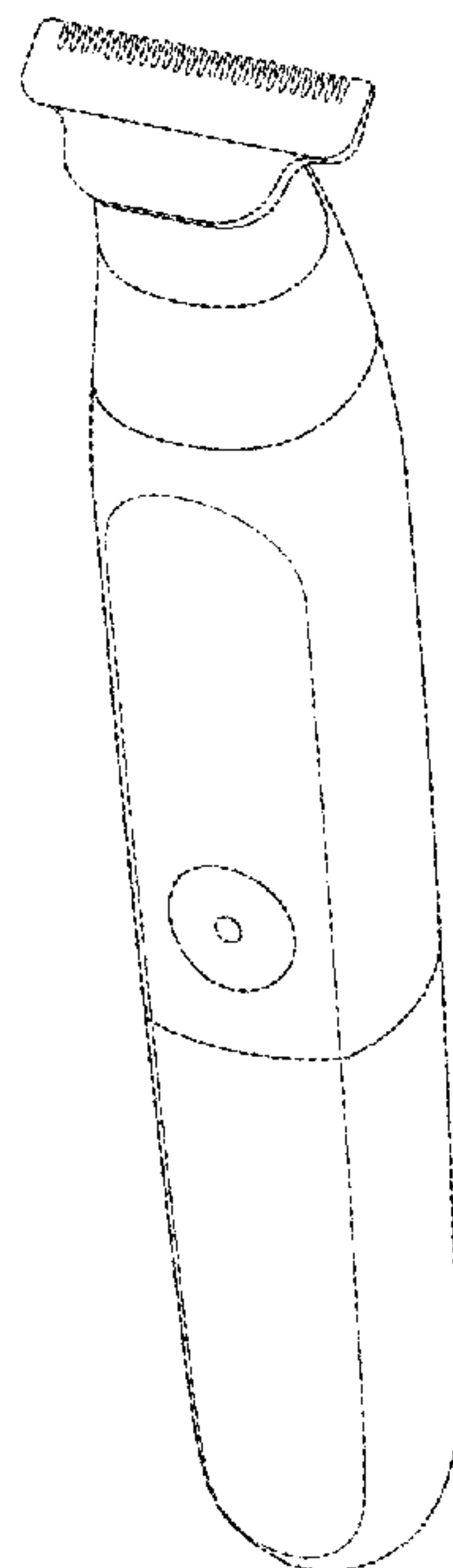
U.S. PATENT DOCUMENTS

DESCRIPTION

D276,562 S * 11/1984 Mizobata D28/49
D297,375 S * 8/1988 Liu D28/49
D319,324 S * 8/1991 Wahl et al.
D555,286 S * 11/2007 Long
D577,864 S * 9/2008 Kitagawa D28/53
D593,254 S * 5/2009 Tamsiran D28/51
D608,051 S * 1/2010 Tamsiran D28/44.1
D634,068 S * 3/2011 Stowers D28/53
D696,460 S * 12/2013 Prat-Pfister D28/53
D696,461 S * 12/2013 Prat-Pfister D28/53
D720,887 S * 1/2015 Gross
D758,661 S * 6/2016 Andersson D28/51

FIG. 1 is a perspective view of a hair removal device;
FIG. 2 is a front view thereof;
FIG. 3 is a right side view thereof;
FIG. 4 is a rear view thereof;
FIG. 5 is a left side view thereof;
FIG. 6 is a top plan view thereof; and,
FIG. 7 is a bottom view thereof.

1 Claim, 7 Drawing Sheets



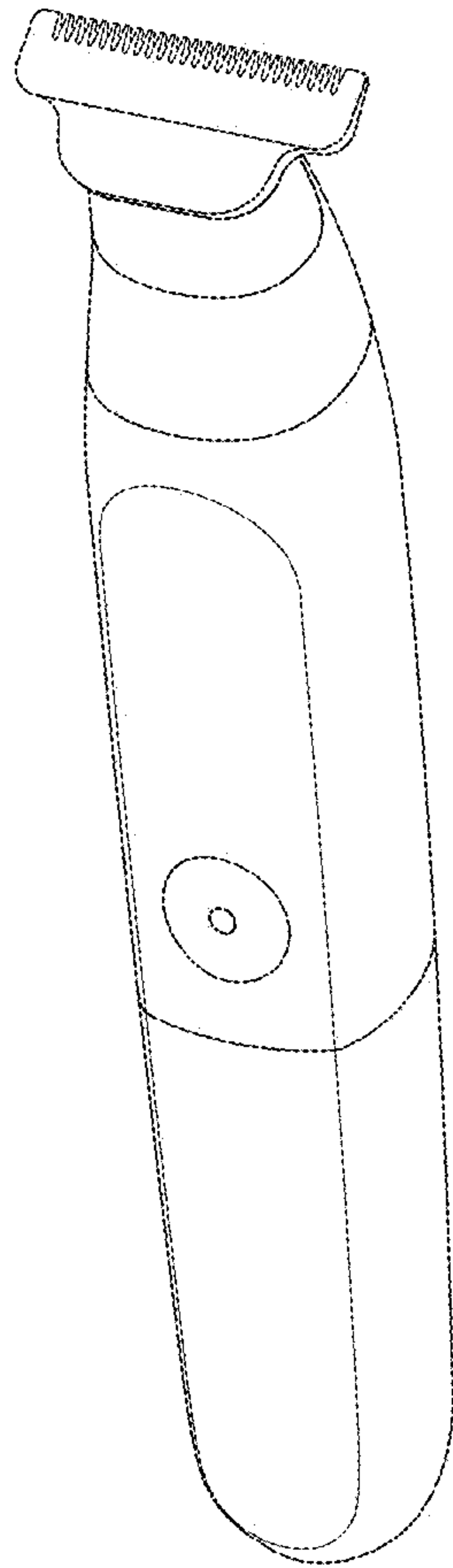


Figure 1

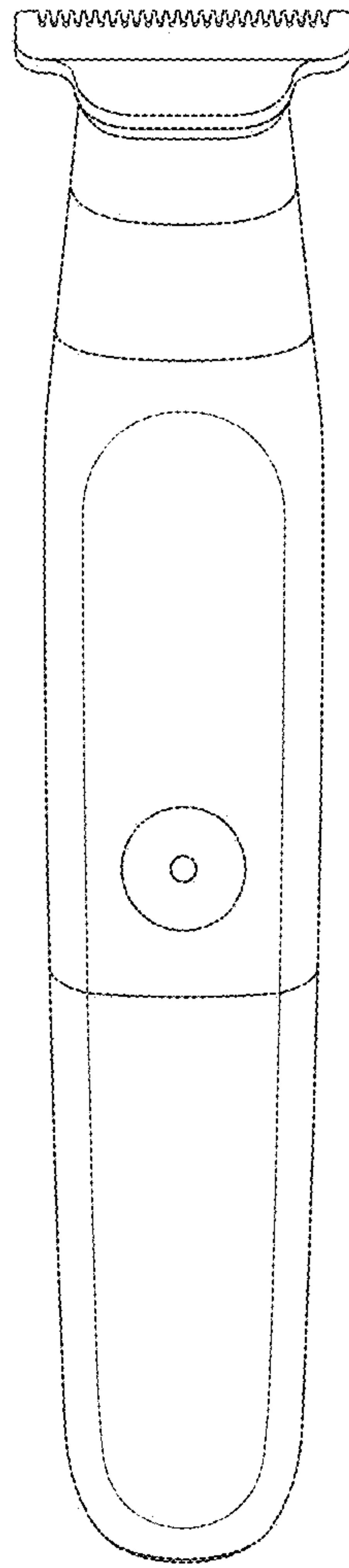


Figure 2

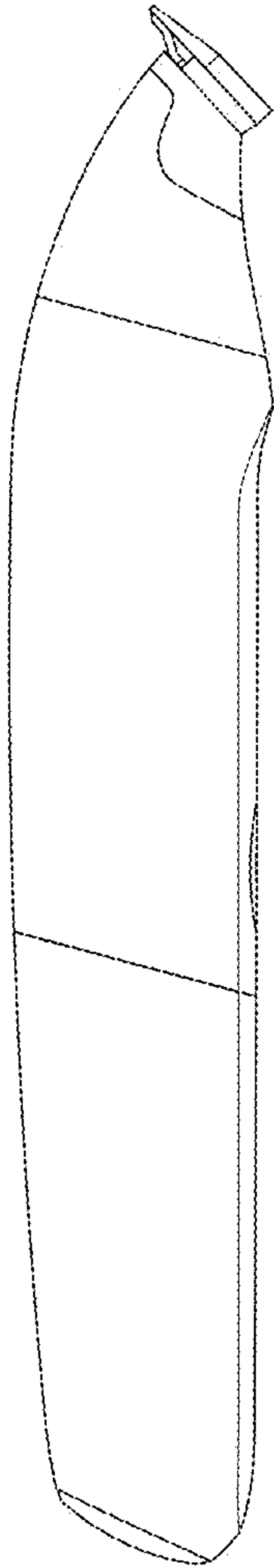


Figure 3

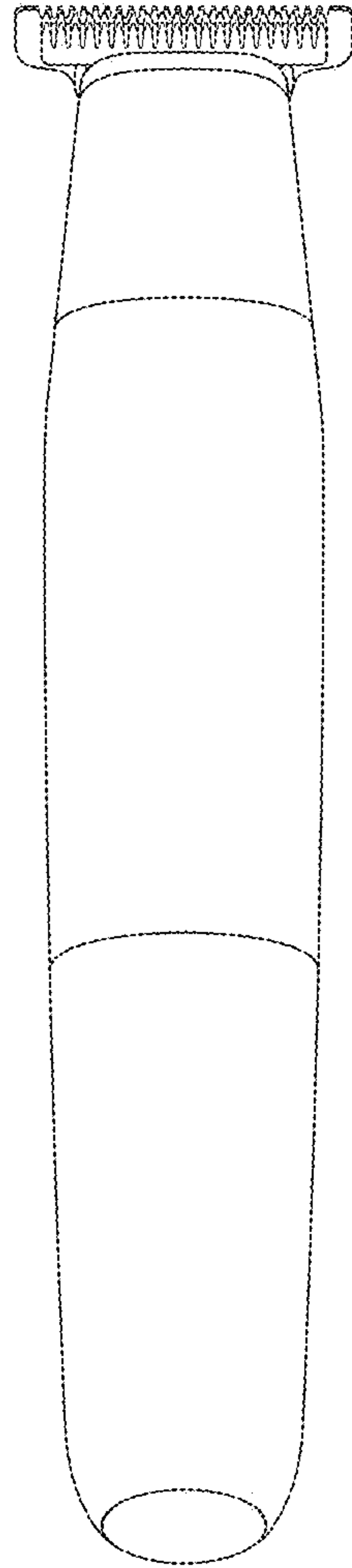


Figure 4

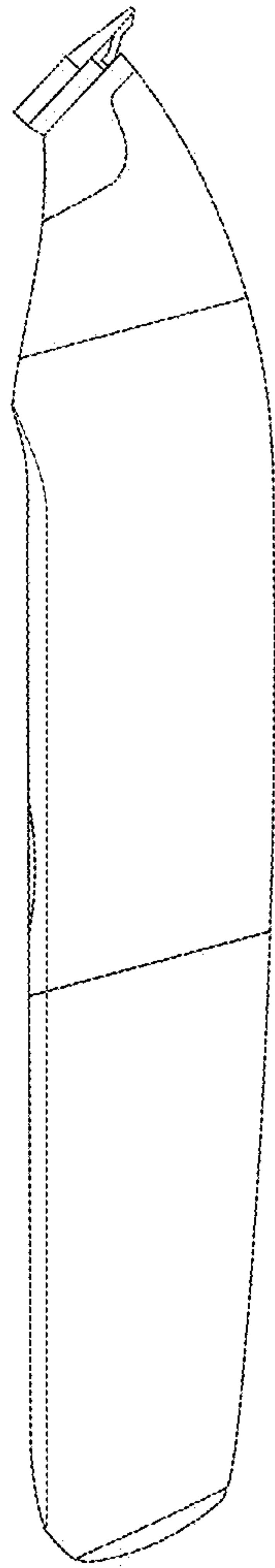


Figure 5

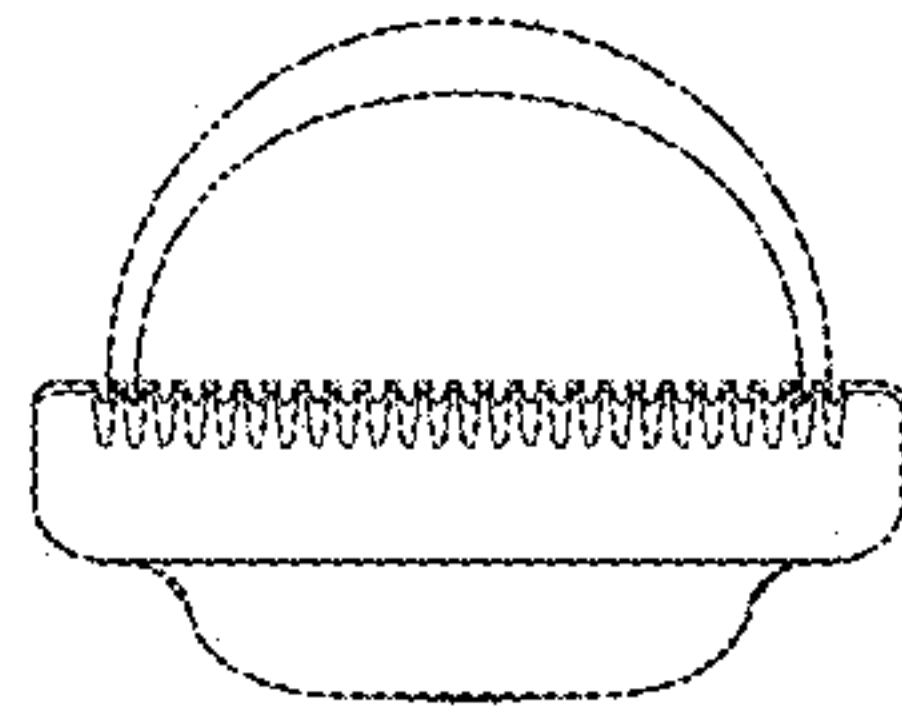


Figure 6

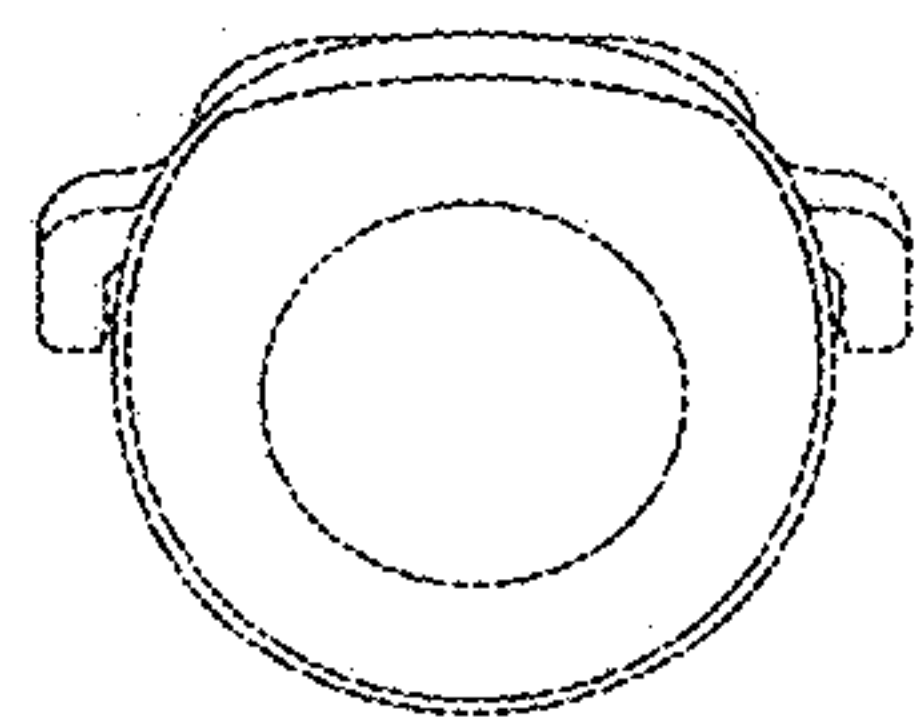


Figure 7