



US00D936288S

(12) **United States Design Patent** (10) **Patent No.:** **US D936,288 S**
Zou (45) **Date of Patent:** **** Nov. 16, 2021**

(54) **FABRIC SHAVER**
 (71) Applicant: **FINE DRAGON TECHNOLOGY LIMITED**, Guangdong (CN)
 (72) Inventor: **Zhenren Zou**, Guangdong (CN)
 (73) Assignee: **FINE DRAGON TECHNOLOGY LIMITED**, Shenzhen (CN)

D678,611 S * 3/2013 Hsu D28/50
 8,857,011 B2 * 10/2014 Casper A47L 9/149
 15/344
 D828,626 S * 9/2018 Hsu D28/50
 D866,071 S * 11/2019 Luo D28/50
 D917,890 S * 5/2021 Cai D4/137
 2013/0283631 A1 * 10/2013 Moloney A45D 20/04
 34/97

(**) Term: **15 Years**
 (21) Appl. No.: **29/748,264**
 (22) Filed: **Aug. 27, 2020**

(30) **Foreign Application Priority Data**
 Aug. 4, 2020 (CN) 202030436931.2
 (51) **LOC (13) Cl.** **28-03**
 (52) **U.S. Cl.**
 USPC **D28/50**
 (58) **Field of Classification Search**
 USPC D28/50
 CPC A47L 25/08; B26B 19/48; B26B 19/3853;
 B26B 19/14; D06C 11/00
 See application file for complete search history.

(56) **References Cited**
 U.S. PATENT DOCUMENTS
 D310,890 S * 9/1990 Ho D28/50
 4,985,999 A * 1/1991 Iwasaki A46B 13/02
 30/133
 D319,564 S * 9/1991 Okayasu D8/61
 D455,228 S * 4/2002 Hsu D28/50
 D495,831 S * 9/2004 Hsu D28/50
 D671,267 S * 11/2012 Hsu D28/50

OTHER PUBLICATIONS

Linter Remover Shaver by SPHORD, www.amazon.com, reviewed Jun. 3, 2021, 1 page (Year: 2021).*

* cited by examiner

Primary Examiner — Jennifer Rivard

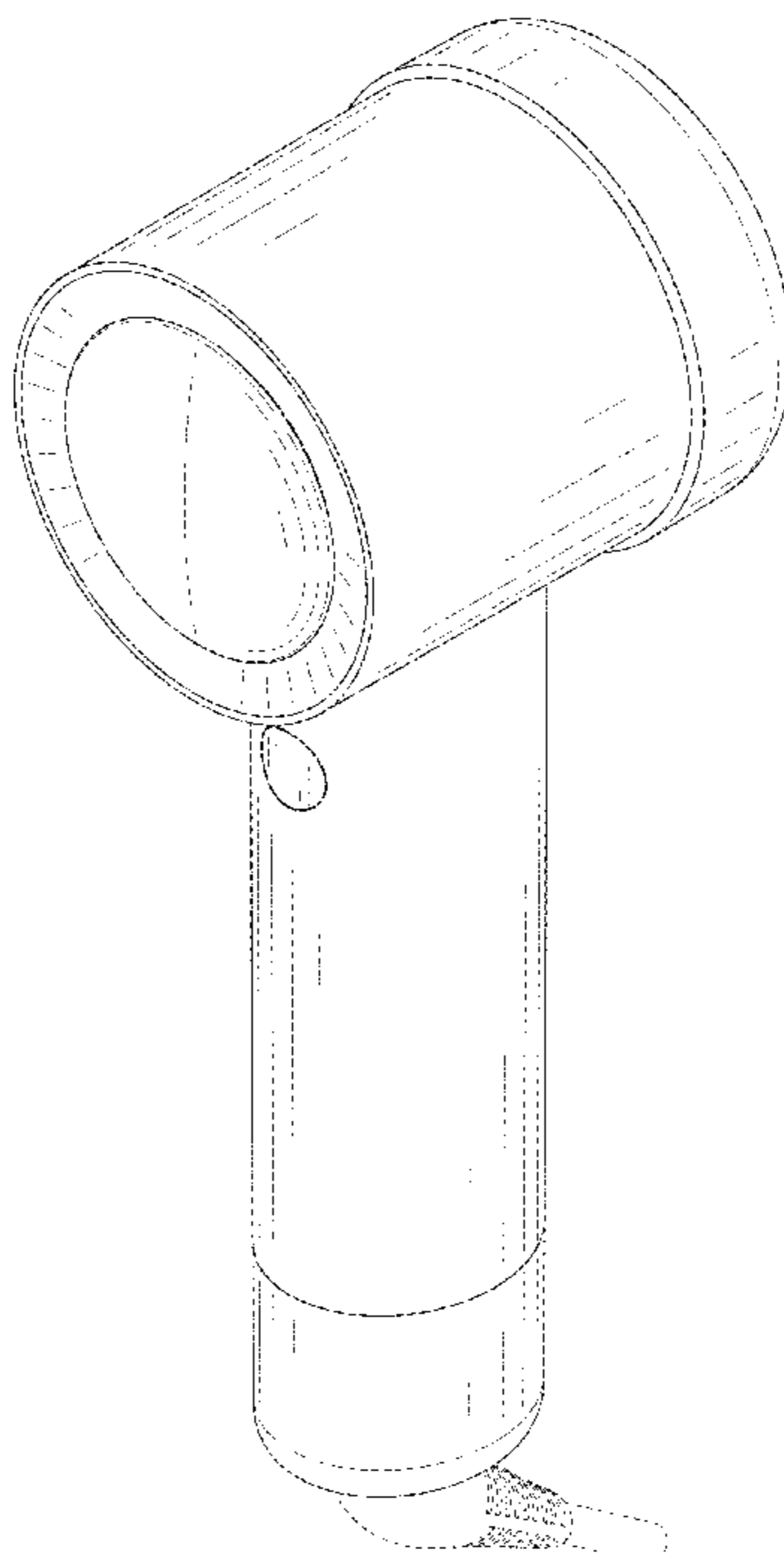
(57) **CLAIM**

The ornamental design for a fabric shaver, as shown and described.

DESCRIPTION

FIG. 1 is a top, front and right side perspective view of a fabric shaver showing my new design;
 FIG. 2 is a bottom, rear and left side perspective view thereof;
 FIG. 3 is a front elevational view thereof;
 FIG. 4 is a rear elevational view thereof;
 FIG. 5 is a left side view thereof;
 FIG. 6 is a right side view thereof;
 FIG. 7 is a top plan view thereof;
 FIG. 8 is a bottom plan view thereof; and,
 FIG. 9 is a top, front and right side perspective view showing the fabric shaver in a disassembled state.
 The broken lines in the drawings illustrate portions of the fabric shaver which form no part of the claimed design.

1 Claim, 9 Drawing Sheets



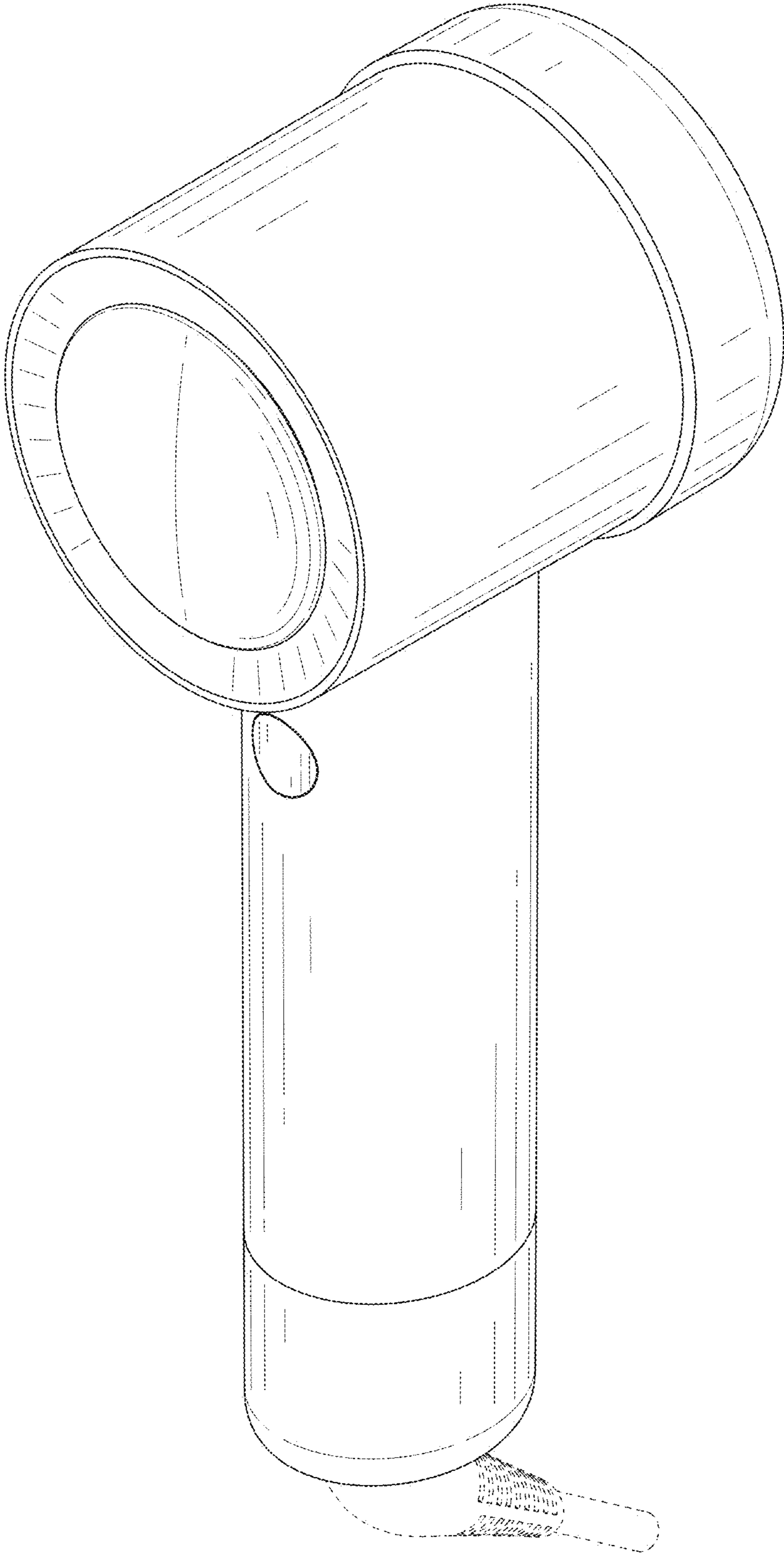


FIG. 1

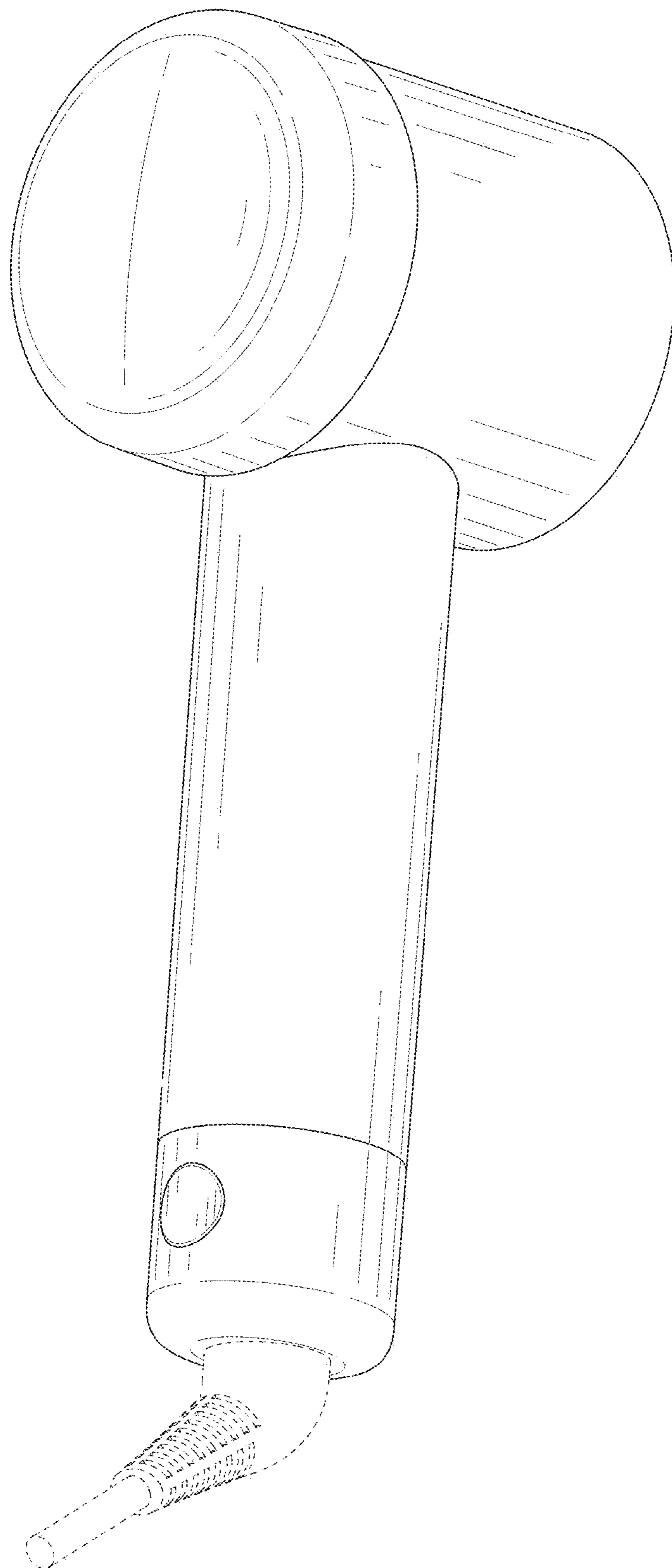


FIG. 2

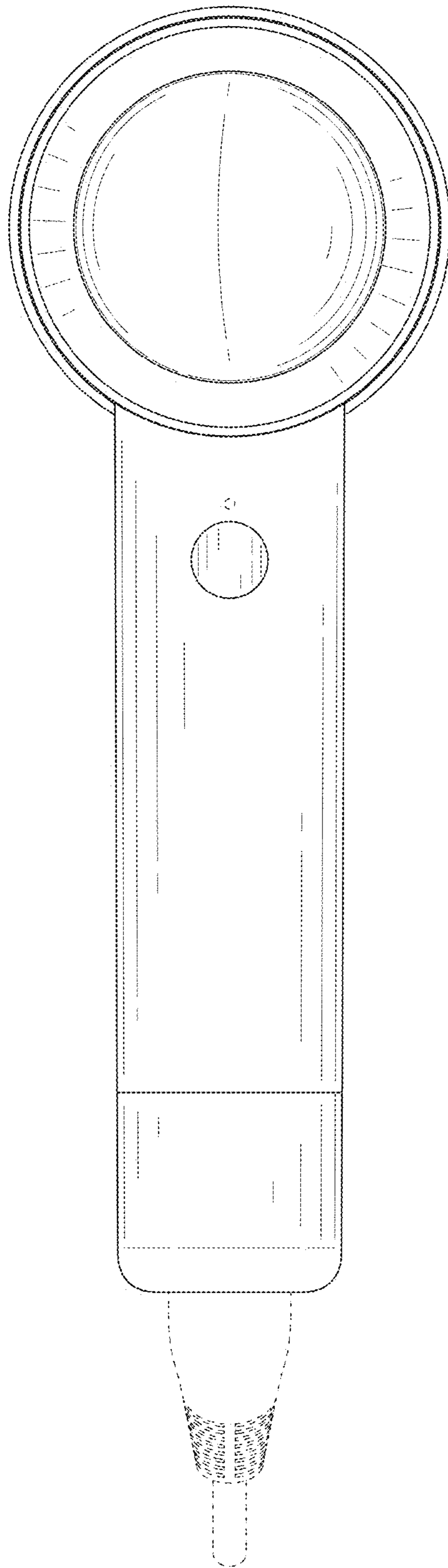


FIG. 3

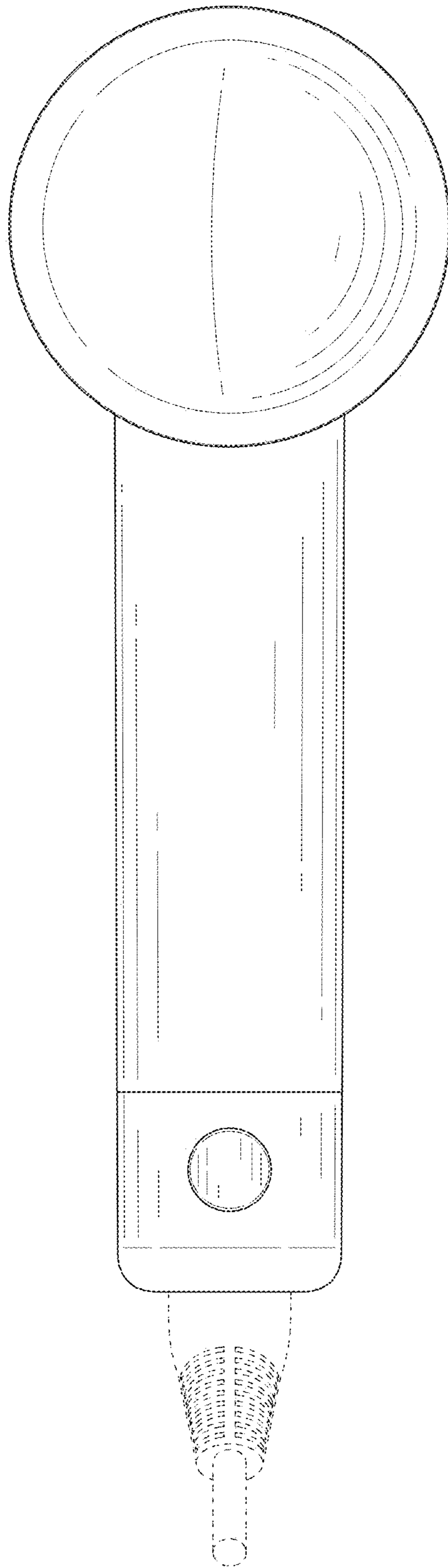


FIG. 4

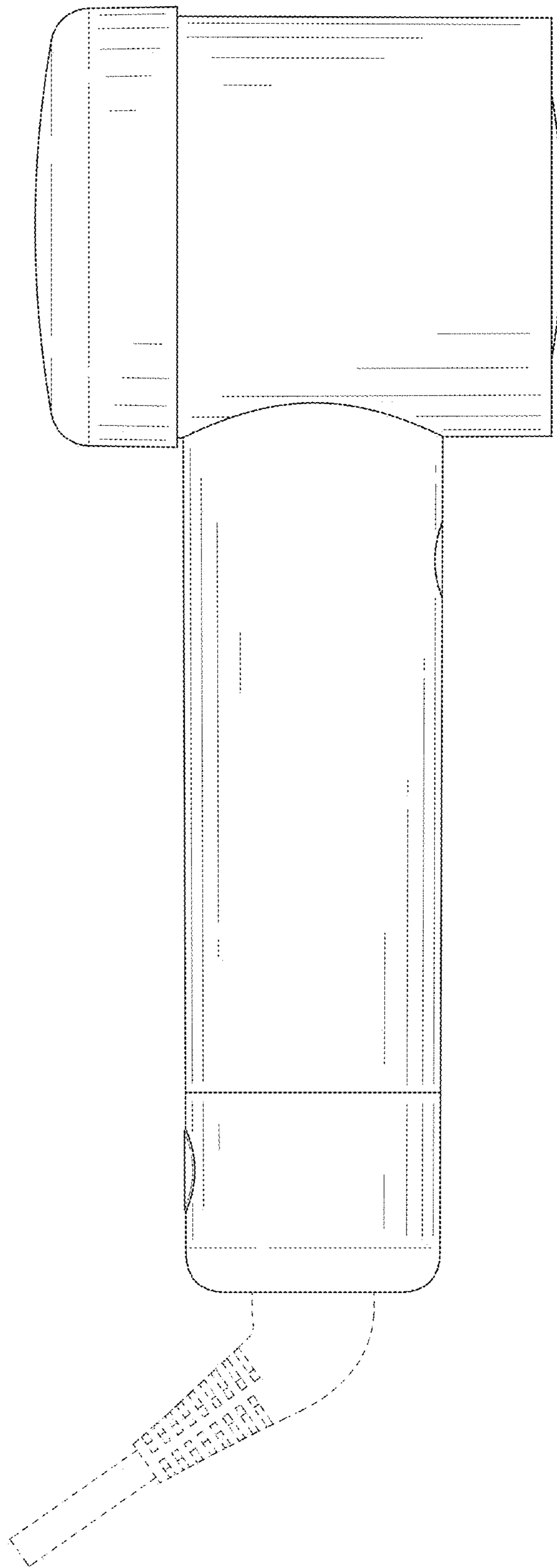


FIG. 5

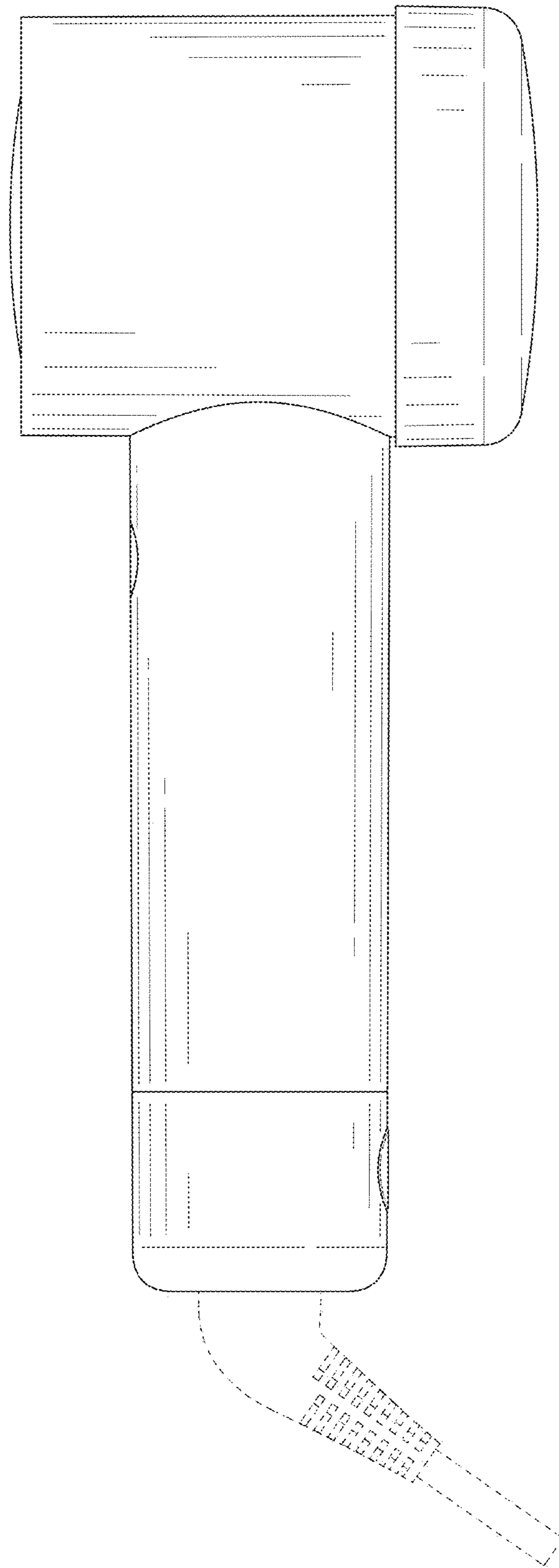


FIG. 6

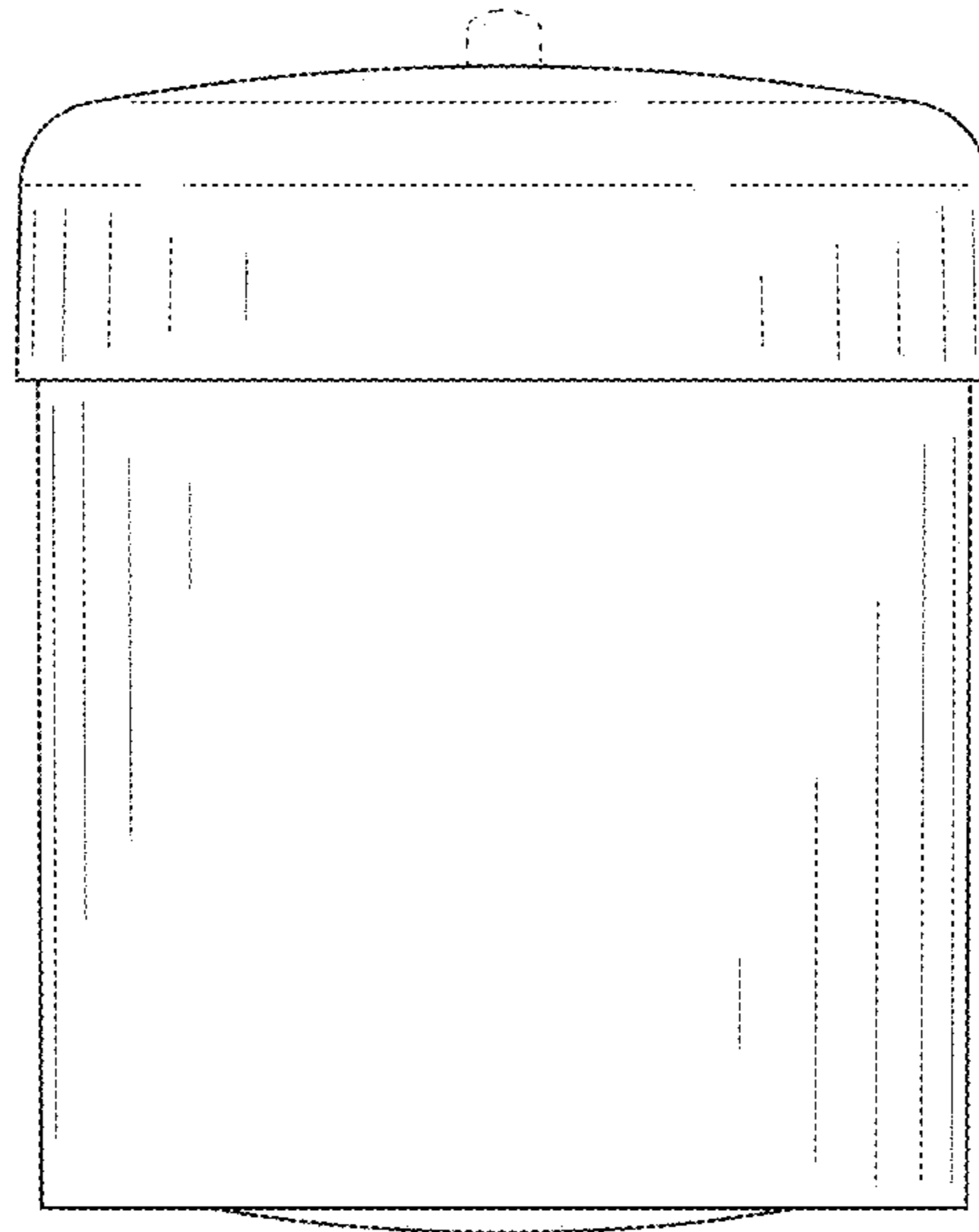


FIG. 7

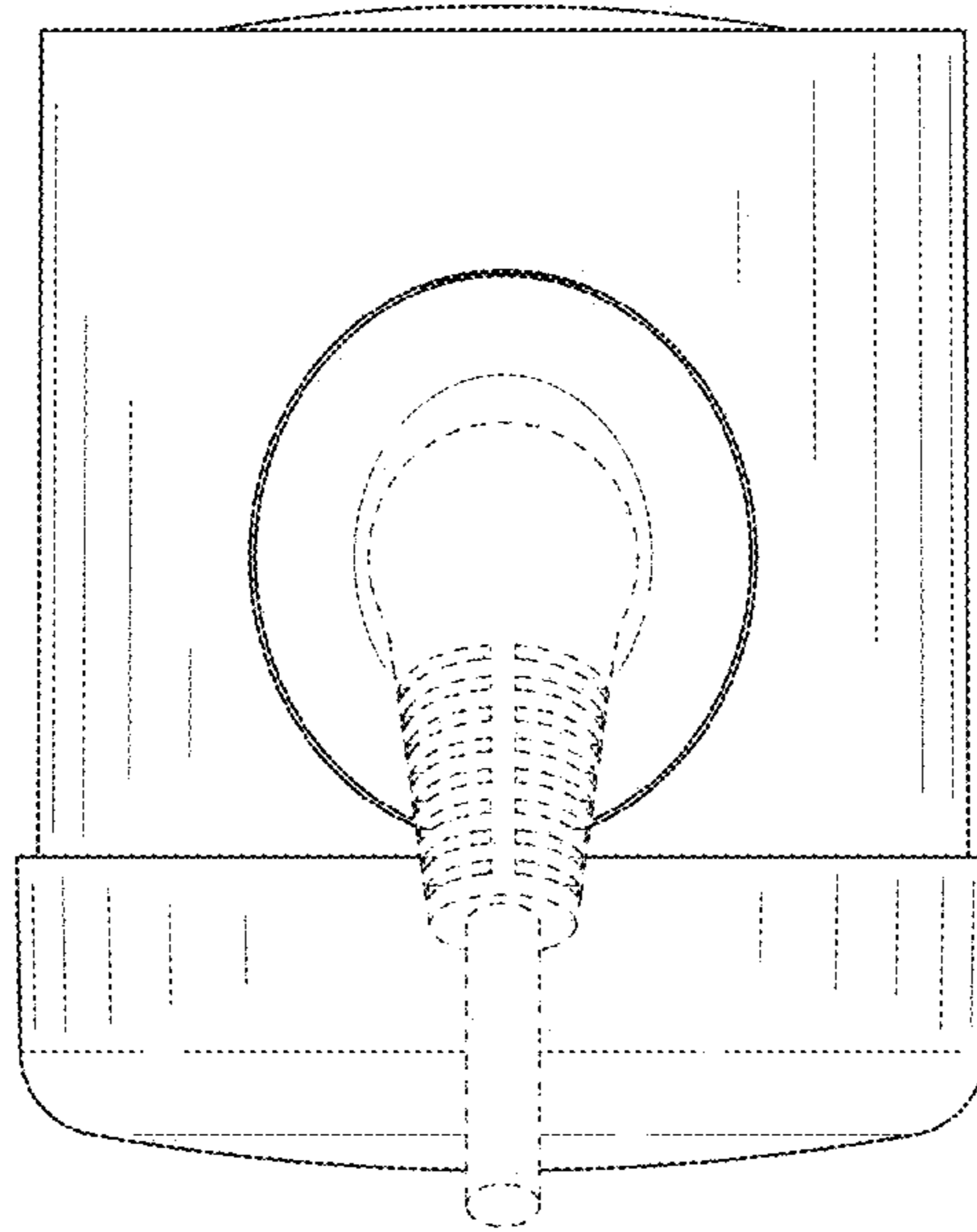


FIG. 8

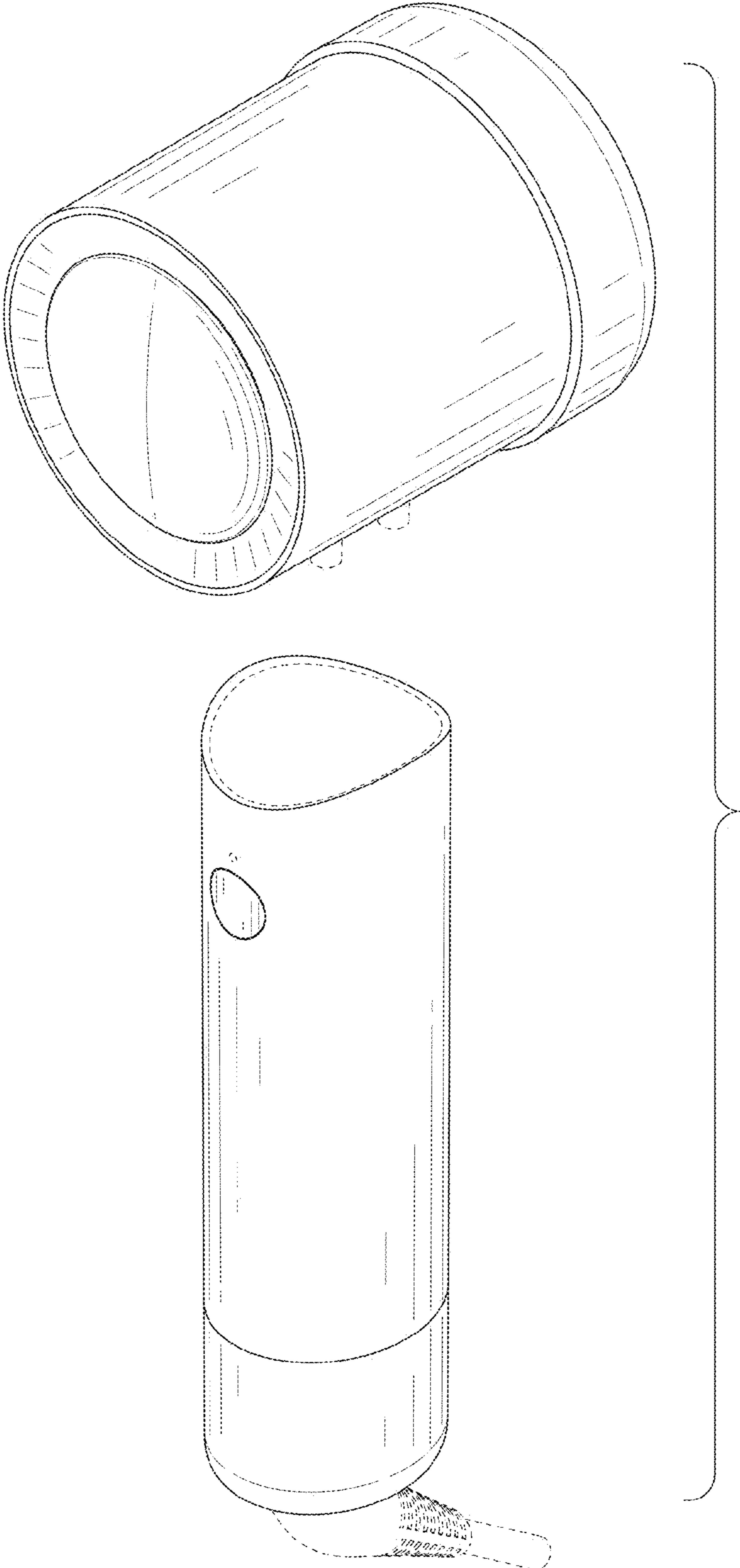


FIG. 9