



US00D936286S

(12) **United States Design Patent** (10) **Patent No.:** **US D936,286 S**
Zhu (45) **Date of Patent:** **** Nov. 16, 2021**

(54) **CURLING IRON**

(71) Applicant: **Dongguan Huanmei Electronic Technology Co., Ltd., Dongguan (CN)**

(72) Inventor: **Yi Zhu, Loudi (CN)**

(**) Term: **15 Years**

(21) Appl. No.: **29/752,578**

(22) Filed: **Sep. 28, 2020**

(30) **Foreign Application Priority Data**

Sep. 18, 2020 (CN) 202030559092.3

(51) **LOC (13) Cl.** **28-03**

(52) **U.S. Cl.**
USPC **D28/35**

(58) **Field of Classification Search**
USPC D28/35
CPC ... A45D 1/00; A45D 1/02; A45D 1/04; A45D 1/06; A45D 1/14; A45D 1/18; A45D 1/28; A45D 2/001; A45D 2/002; A45D 2/36-367; A45D 6/02-04; A45D 2/02; A45D 2/12; A45D 2/122; A45D 2/14
See application file for complete search history.

(56) **References Cited**

U.S. PATENT DOCUMENTS

D726,961 S 4/2015 Sayers et al.
D765,910 S 9/2016 Bermudez et al.
D884,968 S * 5/2020 Zhu D28/35
D892,405 S * 8/2020 Huang D28/35
D899,687 S * 10/2020 Chen D28/35
D902,483 S * 11/2020 Fan D28/35
D905,333 S * 12/2020 Ng D28/35
D916,369 S * 4/2021 Huang D28/35

D919,886 S * 5/2021 Wang D28/35
D925,829 S * 7/2021 Zeng D28/35
2016/0037888 A1 * 2/2016 Richmond A45D 6/02
132/211
2019/0328100 A1 * 10/2019 Duan A45D 6/08
2020/0060405 A1 * 2/2020 Wang A45D 1/04
2020/0196728 A1 * 6/2020 Yong A45D 1/04

OTHER PUBLICATIONS

Cosofme Automatic Hair Curler, www.amazon.com, 1 page, May 2021 (Year: 2021).*

* cited by examiner

Primary Examiner — Jennifer Rivard

(74) *Attorney, Agent, or Firm* — W&KIP

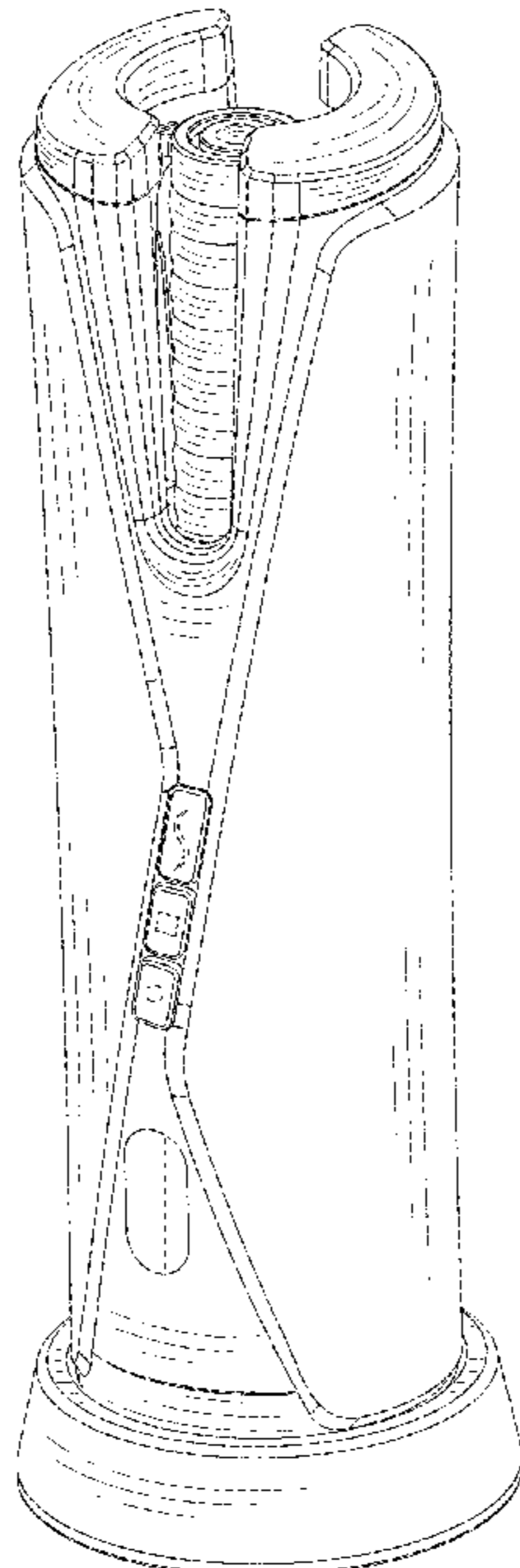
(57) **CLAIM**

The ornamental design for a curling iron, as shown and described.

DESCRIPTION

FIG. 1 is a perspective view of a curling iron showing my new design;
FIG. 2 is a front view thereof;
FIG. 3 is a rear view thereof;
FIG. 4 is a left side view thereof;
FIG. 5 is a right side view thereof;
FIG. 6 is a top plan view thereof; and
FIG. 7 is a bottom plan view thereof; and,
FIG. 8 is another perspective view thereof.
The evenly-broken lines where present illustrate portions of the curling iron form no part of the claimed design.

1 Claim, 8 Drawing Sheets



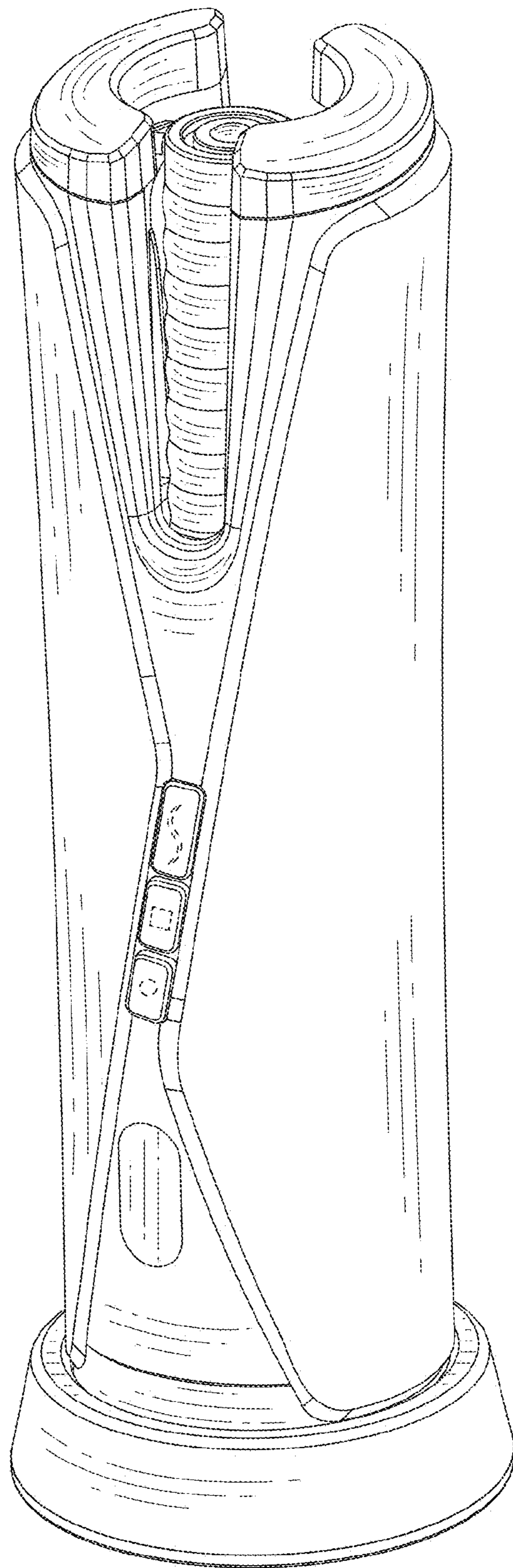


FIG.1

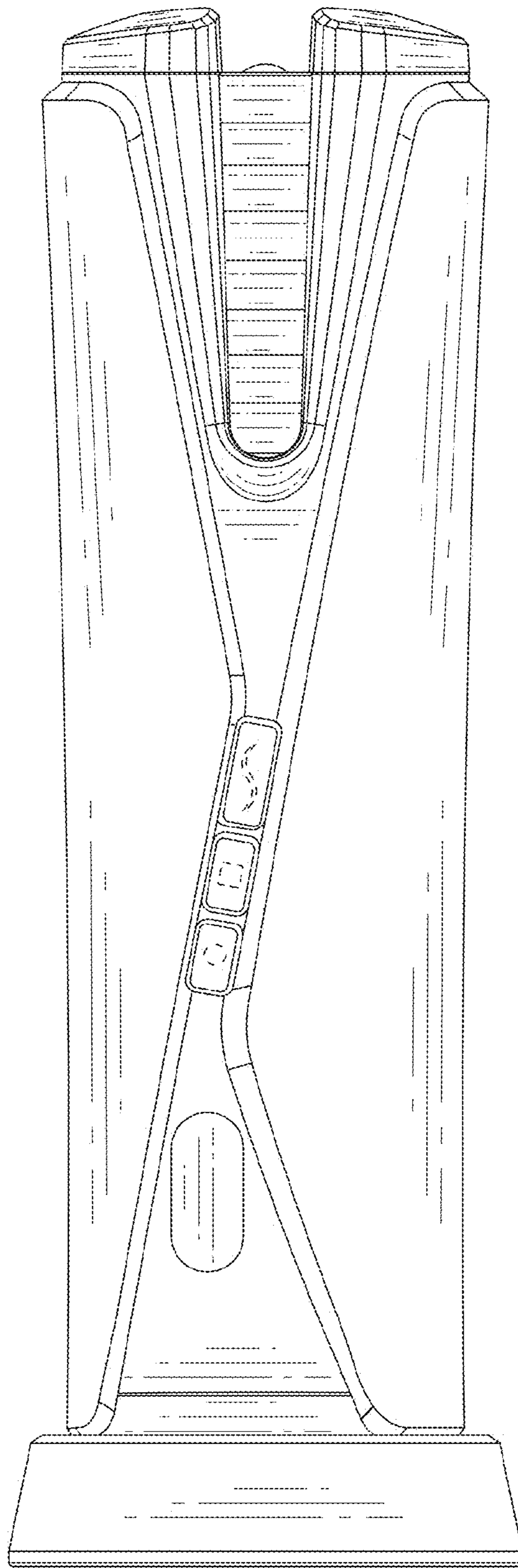


FIG.2

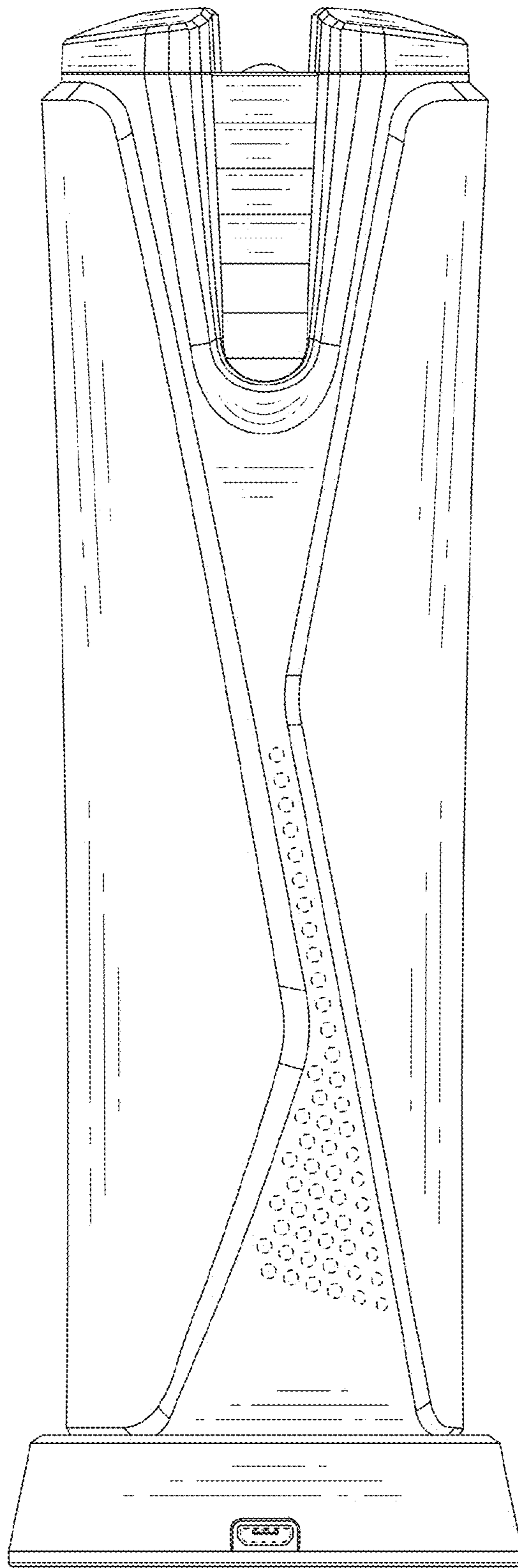


FIG. 3

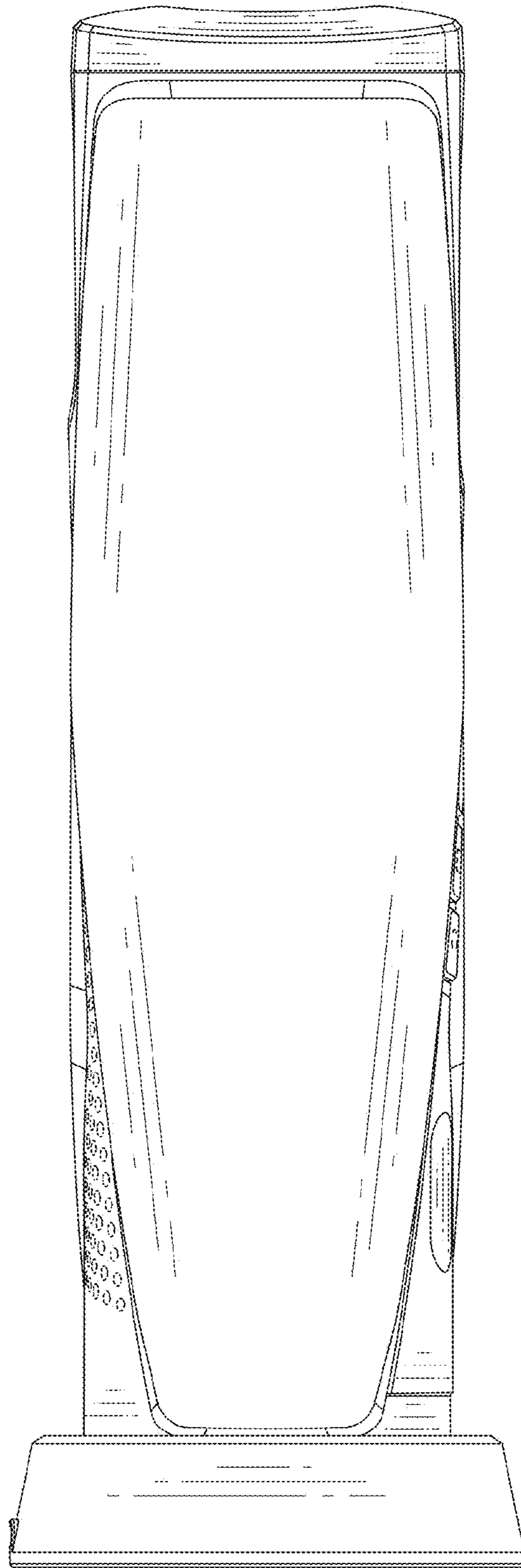


FIG.4

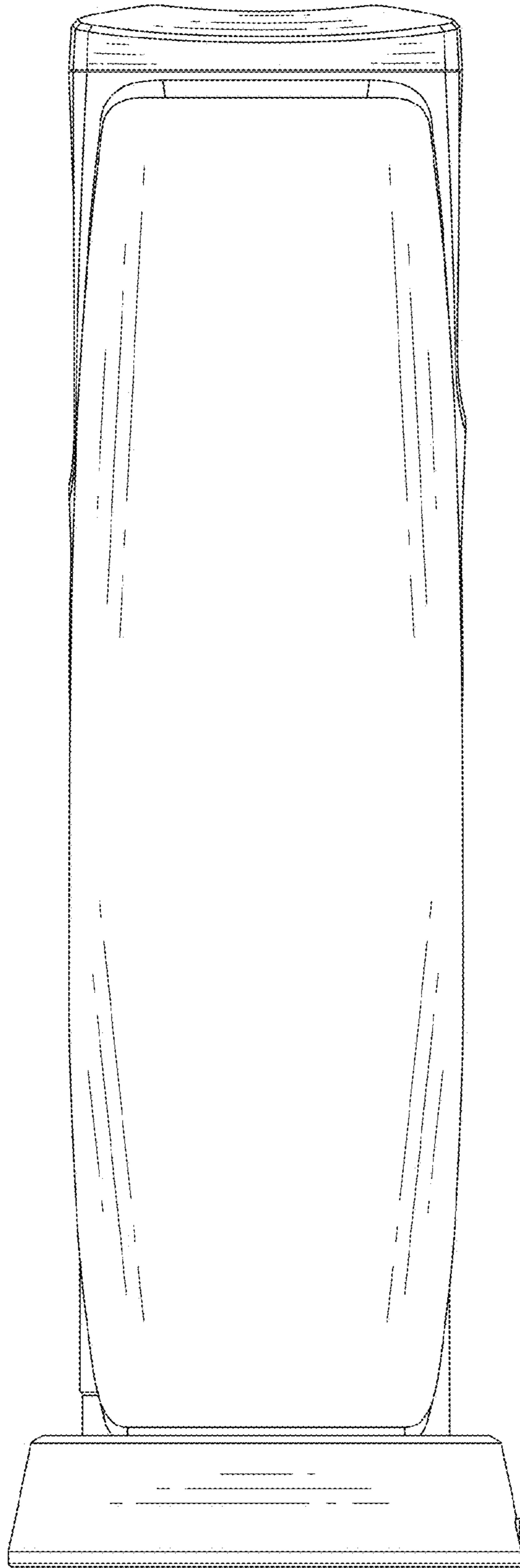


FIG.5

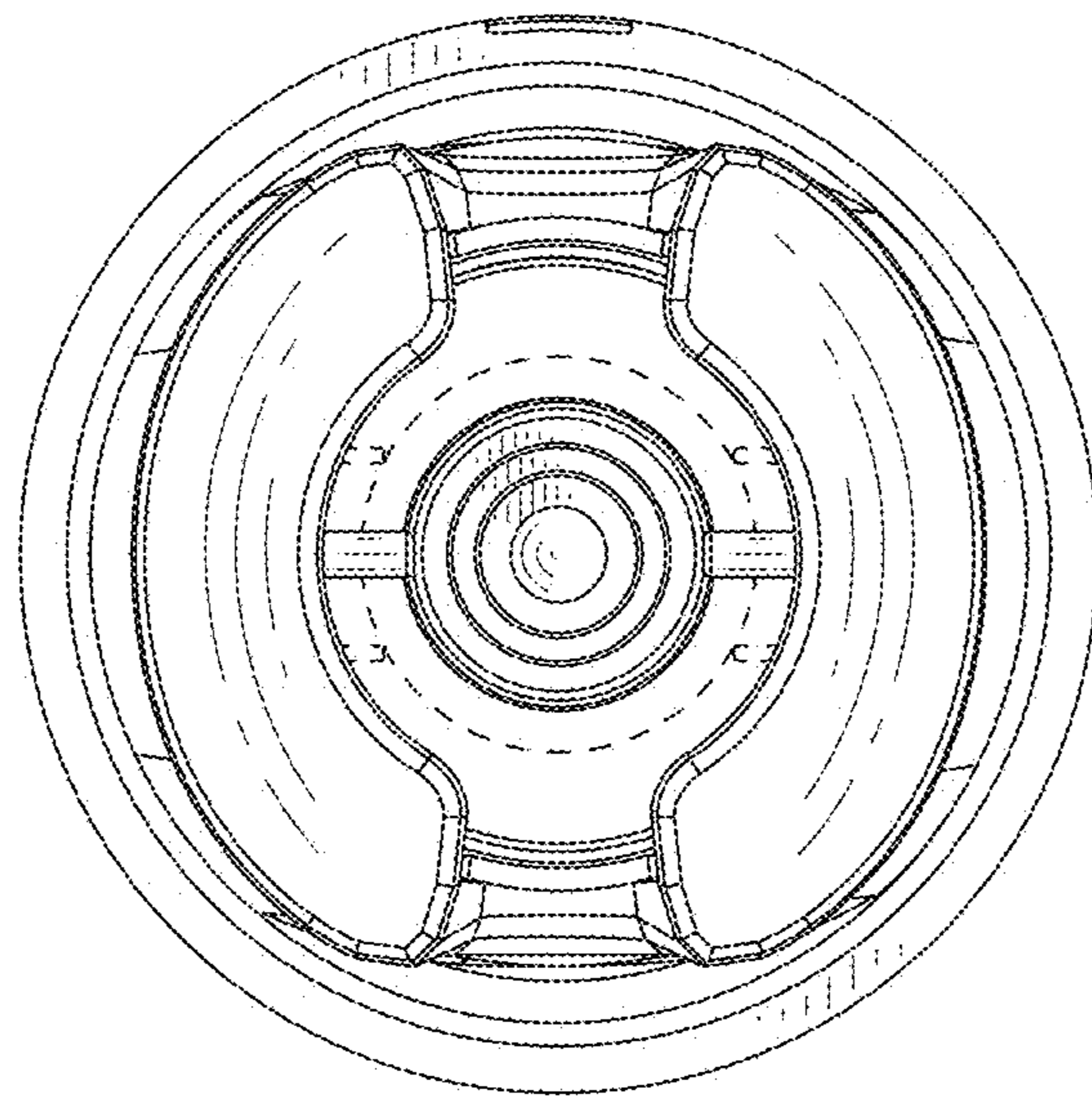


FIG.6

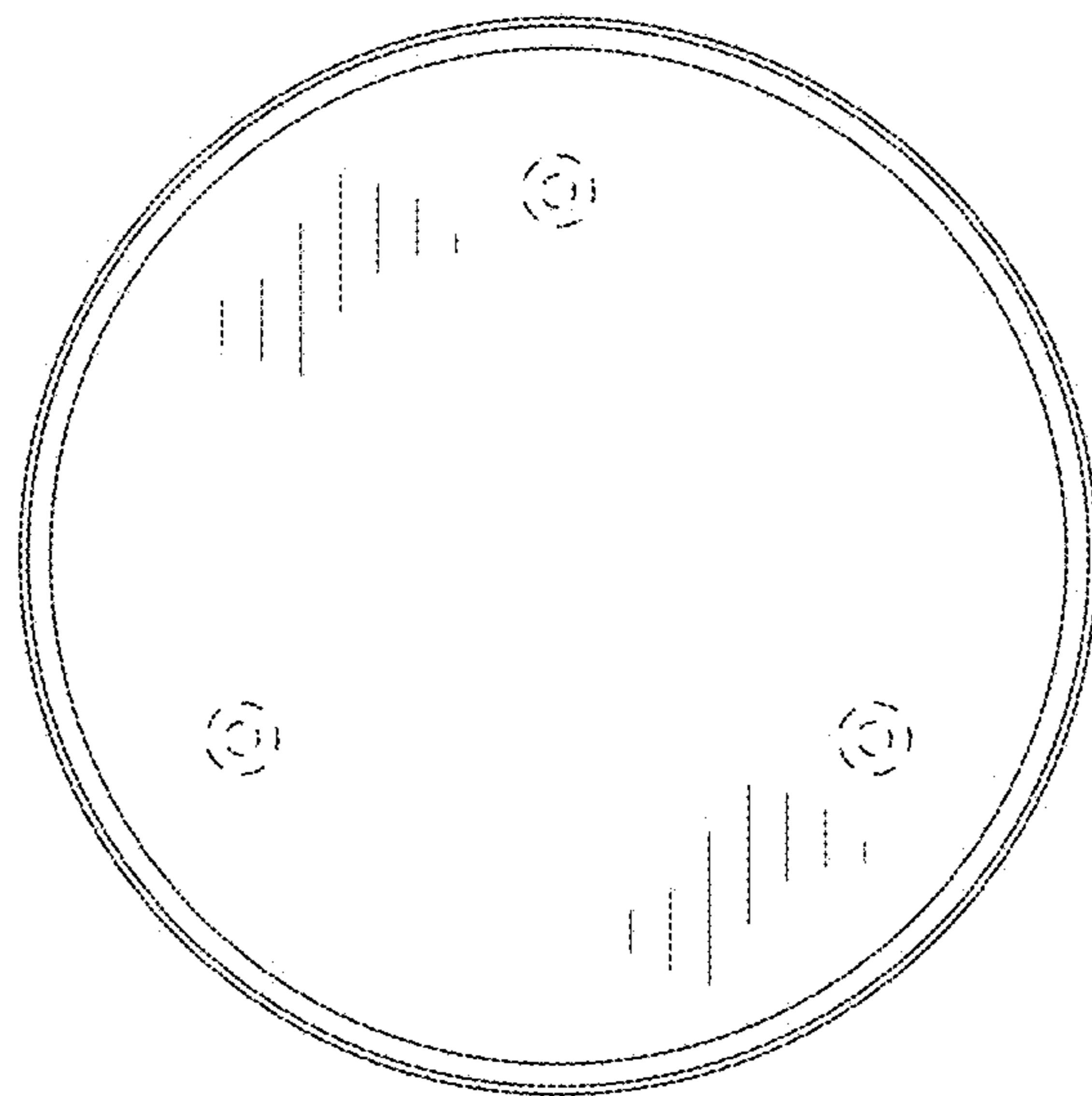


FIG.7

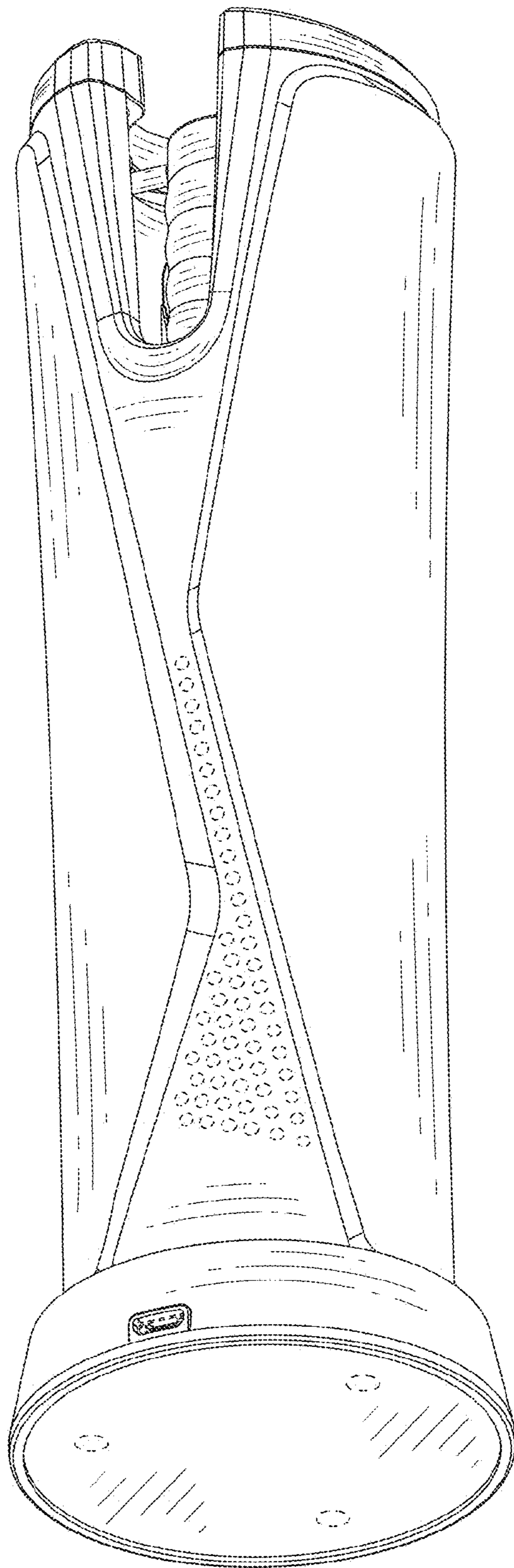


FIG.8