



US00D936285S

(12) **United States Design Patent** (10) **Patent No.:** **US D936,285 S**  
**Ness** (45) **Date of Patent:** **\*\* Nov. 16, 2021**

(54) **DOUBLE-SIDED LICE COMB WITH COVER**

(71) Applicant: **Tec Laboratories, Inc.**, Albany, OR (US)

(72) Inventor: **Steven L. Ness**, Lebanon, OR (US)

(73) Assignee: **Tec Laboratories, Inc.**, Albany, OR (US)

(\*\*) Term: **15 Years**

(21) Appl. No.: **29/764,138**

(22) Filed: **Dec. 29, 2020**

(51) **LOC (13) Cl.** ..... **28-03**

(52) **U.S. Cl.**  
USPC ..... **D28/31; D28/21**

(58) **Field of Classification Search**  
USPC ..... **D28/10, 21, 22, 25, 27, 30, 31, 34; D30/158, 159, 162**

(Continued)

(56) **References Cited**

**U.S. PATENT DOCUMENTS**

2,153,126 A 4/1939 Andersson  
2,430,303 A 11/1947 Ruhi

(Continued)

**FOREIGN PATENT DOCUMENTS**

EM 007774153-0001 \* 3/2020

**OTHER PUBLICATIONS**

Tec Labs Licefreee Spray Head Lice Spray—Includes Professional Metal Nit and Lice Comb [online], [site visited Apr. 29, 2021]. Available from internet, URL:<<https://www.amazon.fr/Int%C3%A9gr%C3%A9e-Enveloppe-Enfants-Adultes-Lausinator/dp/B06XFWX5K3>> (Year: 2021).\*

(Continued)

*Primary Examiner* — Cynthia Ramirez  
*Assistant Examiner* — Xavier Marti-Santos

(74) *Attorney, Agent, or Firm* — David S. Alavi

(57) **CLAIM**

The ornamental design for a double-sided lice comb with a cover, as shown and described.

**DESCRIPTION**

FIG. 1 is a front perspective exploded view of a double-sided lice comb with cover showing my new design.

FIG. 2 is a back perspective exploded view thereof.

FIG. 3 front perspective view of the double-sided lice comb with cover.

FIG. 4 front perspective view of the double-sided lice comb with cover in an alternate position.

FIG. 5 is a front view of the lice comb with the cover removed.

FIG. 6 is a back view of the lice comb with the cover removed.

FIG. 7 right side view of the double-sided lice comb with the cover removed; the left side view is a mirror image thereof.

FIG. 8 top view of the double side comb shown with the cover removed; the bottom view is a mirror image thereof.

FIG. 9 is a cross sectional view of the double-sided lice comb taken along line 9-9 in FIG. 5.

FIG. 10 is a cross sectional view of the double-sided lice comb taken along line 10-10 in FIG. 5.

FIG. 11 front view of the cover.

FIG. 12 is a back view of the cover.

FIG. 13 is a right side view of the cover; the left side is a mirror image thereof.

FIG. 14 top view of the cover.

FIG. 15 is a bottom view of the cover.

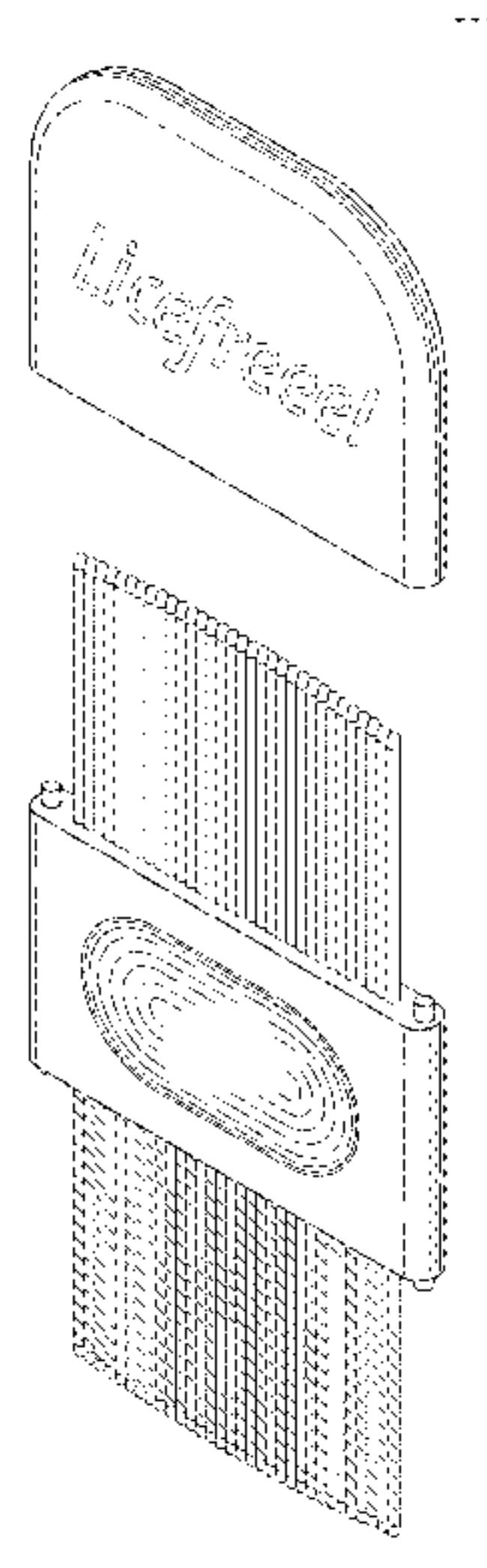
FIG. 16 is a cross sectional view of the cover taken along lines 16-16 in FIG. 11.

FIG. 17 is a cross sectional view of the cover taken along lines 17-17 in FIG. 11; and,

FIG. 18 is a cross sectional view of the cover taken along lines 18-18 in FIG. 13.

The broken lines in the figures are for the purpose of illustrating portions of the double-sided lice comb with cover which form no part of the claimed design.

**1 Claim, 6 Drawing Sheets**



(58) **Field of Classification Search**  
 CPC ..... A01K 13/002; A01K 13/00; A45D 20/02;  
                   A45D 8/12; A45D 24/00; A45D 24/02;  
                   A45D 24/12; A45D 24/34  
 See application file for complete search history.

D561,393 S	2/2008	Burchakchi	
D607,274 S	1/2010	De Pra'	
D670,432 S	11/2012	Driver	
D699,890 S	2/2014	Leman	
D703,867 S	4/2014	Srivastava	
D770,093 S	10/2016	Smith	
D799,117 S	10/2017	Larsen	
D817,547 S	5/2018	Brodbeck	
D835,858 S	12/2018	Tipton	
D837,464 S	1/2019	Park	
D854,244 S	7/2019	Skinner	
D874,060 S *	1/2020	Galekovic .....	D28/21
D923,243 S *	6/2021	Ness .....	D28/31
2009/0314305 A1 *	12/2009	Bachrach .....	A45D 24/30
			132/200
2012/0234342 A1 *	9/2012	Sanz .....	A45D 24/02
			132/219
2017/0172106 A1 *	6/2017	Koursiotis .....	A01K 13/002

(56) **References Cited**

U.S. PATENT DOCUMENTS

D259,667 S	6/1981	Williams	
D289,335 S	4/1987	Scofield et al.	
4,671,303 A	6/1987	Saferstein et al.	
D307,192 S	4/1990	Saferstein et al.	
D311,455 S *	10/1990	Snipes .....	D4/129
5,072,746 A	12/1991	Kantor	
D332,505 S	1/1993	Ward	
D353,915 S	12/1994	Lanne	
D365,662 S	12/1995	Leman	
5,636,646 A *	6/1997	Zito .....	A45D 24/30
			132/149
5,873,374 A	2/1999	Sanz	
D415,595 S	10/1999	O'Farrell et al.	
6,158,443 A *	12/2000	Leman .....	A45D 24/10
			132/102
D441,136 S	4/2001	Leman	
D457,267 S	5/2002	Levandovsky	
D493,571 S	7/2004	Jerkins	
D507,682 S	7/2005	Dunn et al.	
D524,983 S	7/2006	Smith et al.	

OTHER PUBLICATIONS

Licefreee NitDuo Lice and Nit Comb [online], [site visited May 3, 2021]. Available from internet, URL:<<https://www.amazon.com/dp/B08XMZ6WXX/>> (Year: 2021).\*

Spec sheet for lice comb (redacted); Tec Laboratories Inc; 2012; corresponds to co-owned Pat No. D524,983.

Ness; co-owned U.S. Appl. No. 29/713,400, filed Nov. 15, 2019; Lice comb.

\* cited by examiner



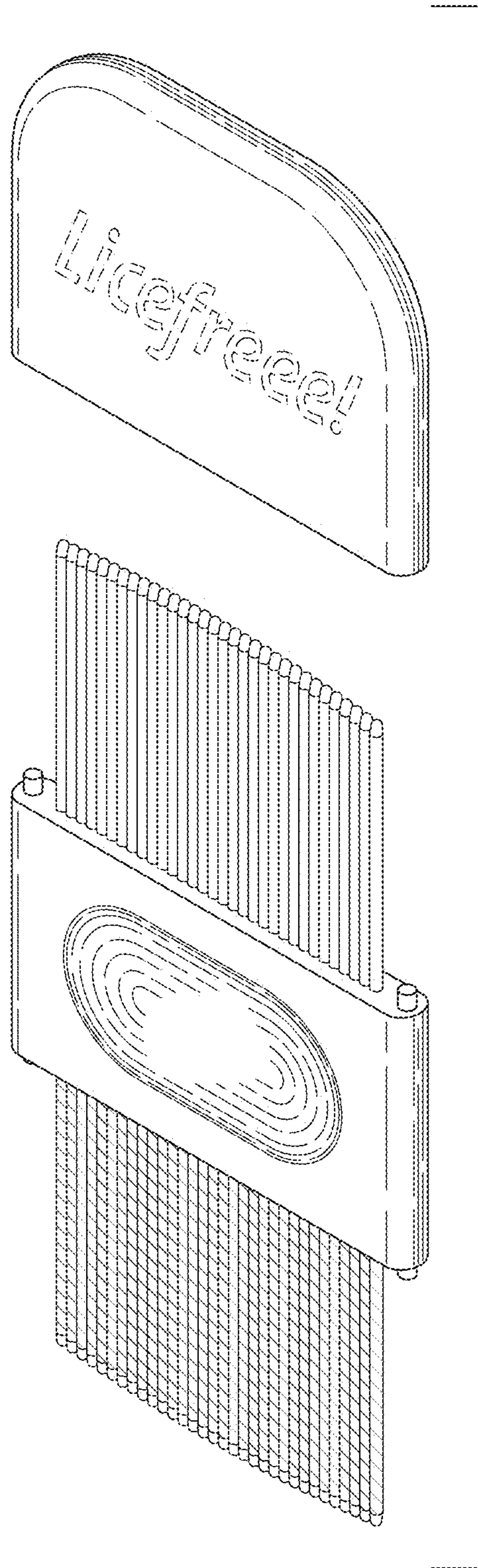


FIG. 1

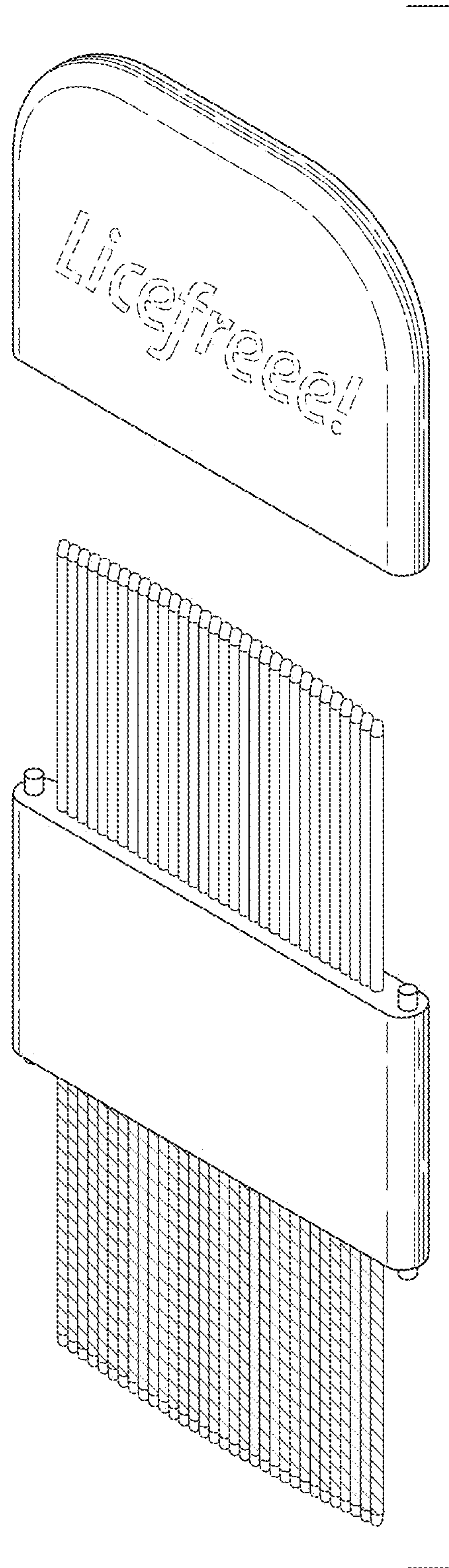


FIG. 2

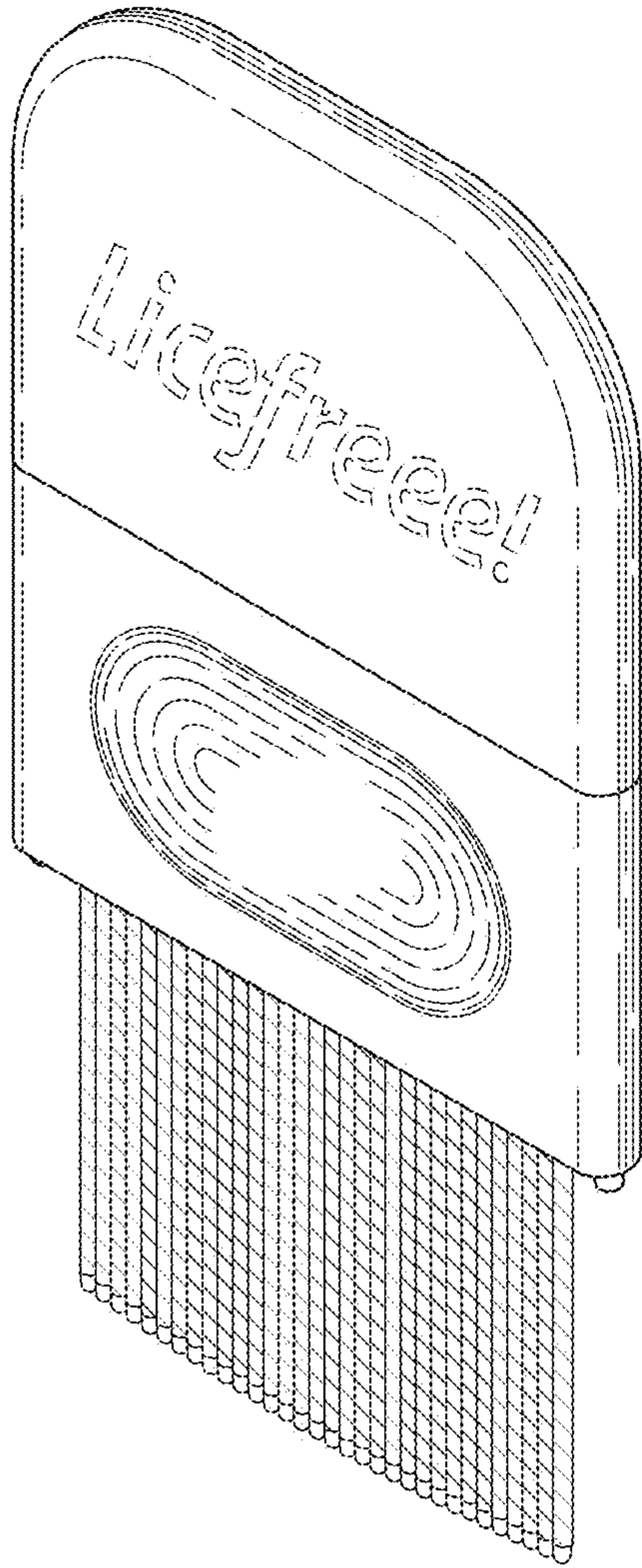


FIG. 3

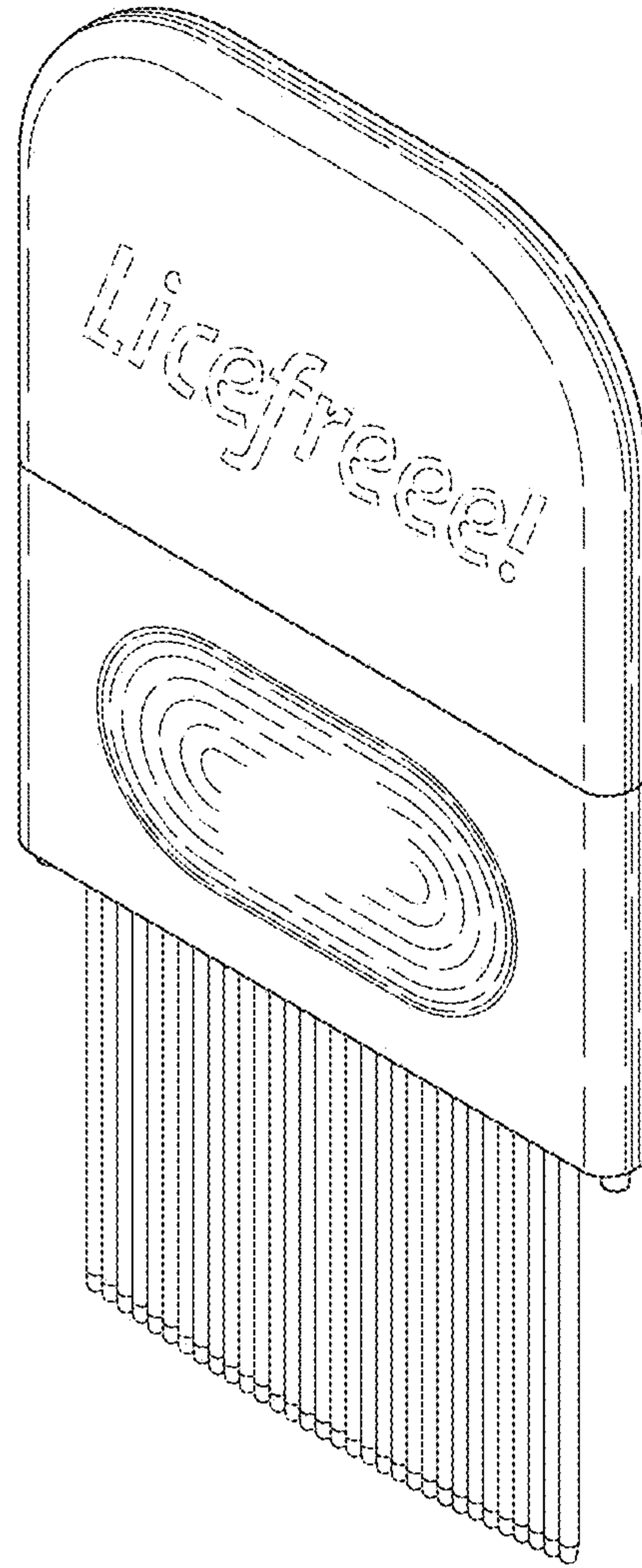


FIG. 4



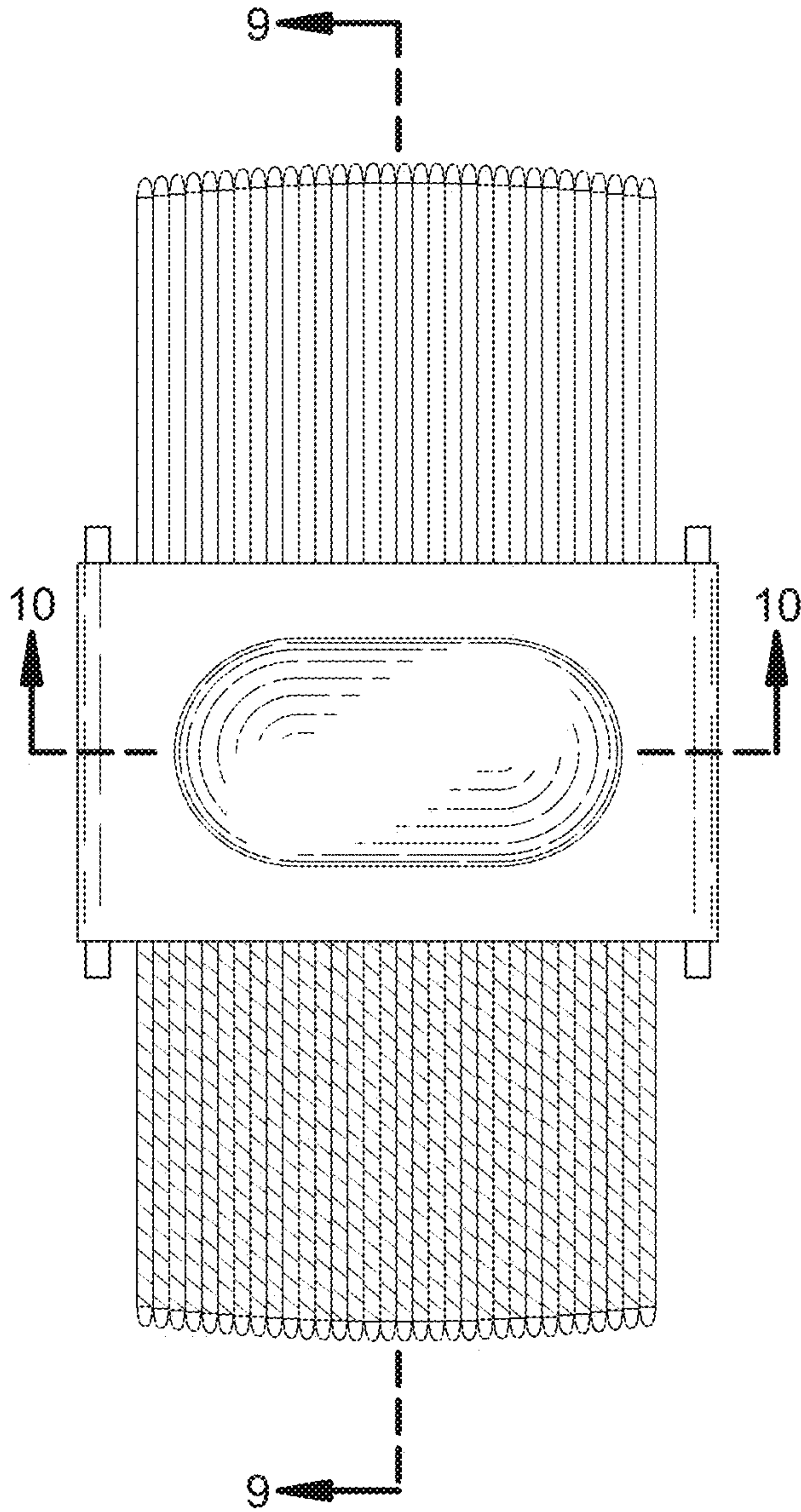


FIG. 5

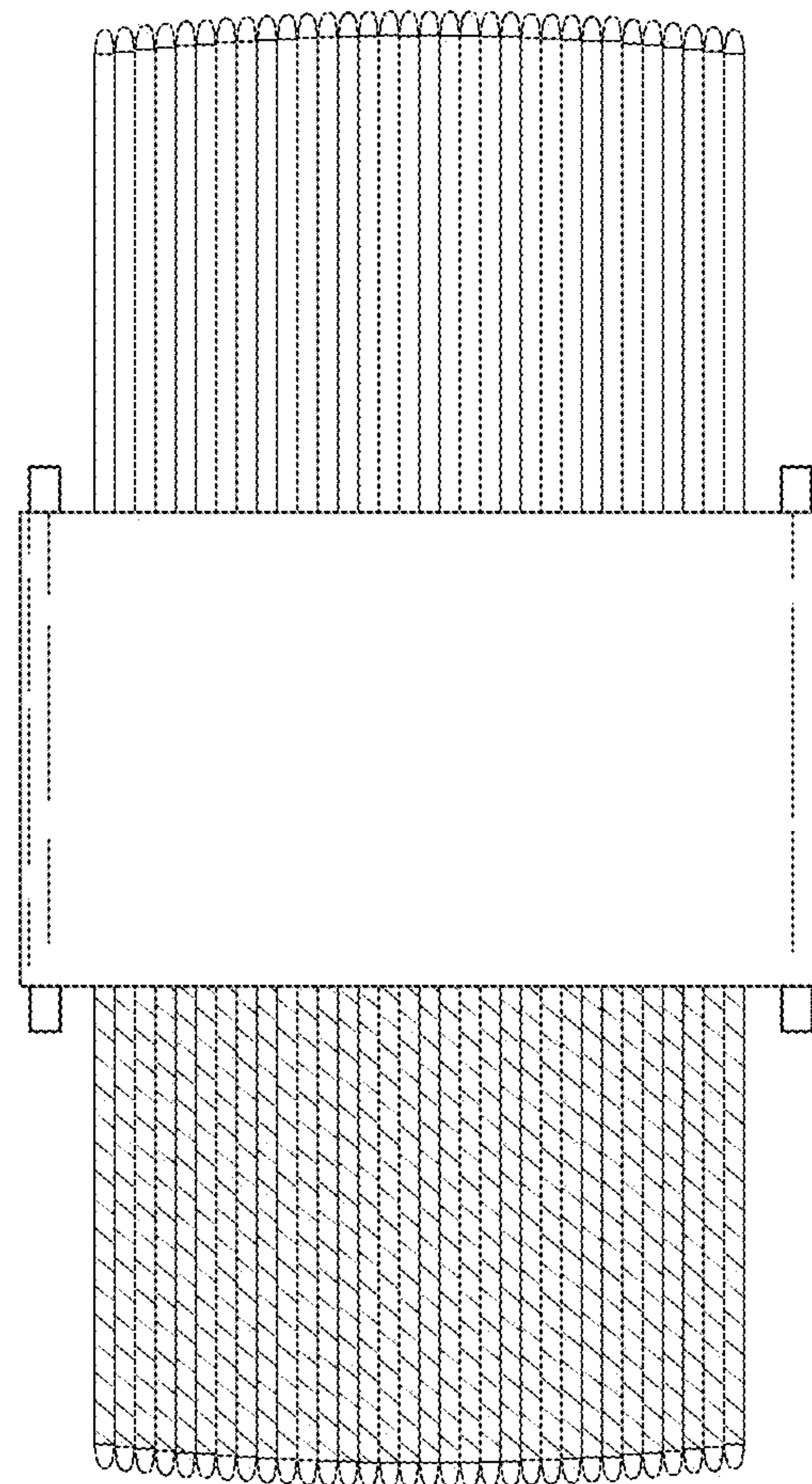


FIG. 6



FIG. 7

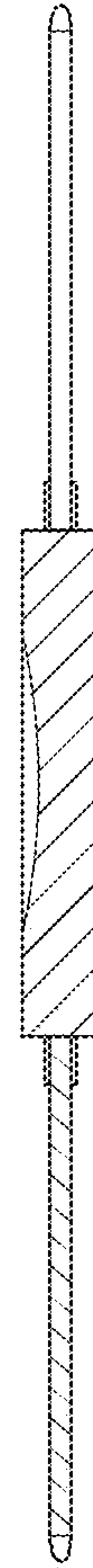


FIG. 9

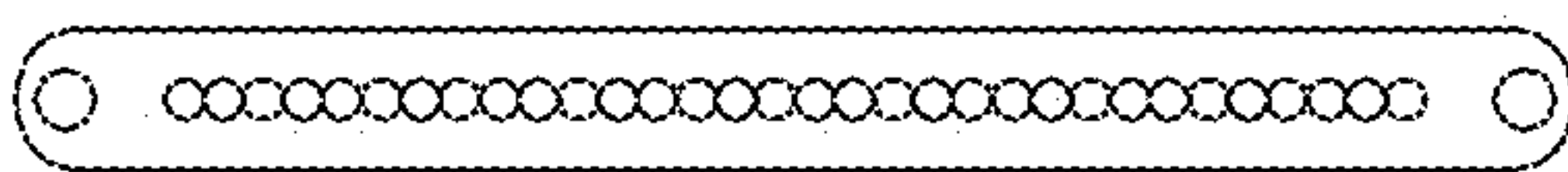


FIG. 8

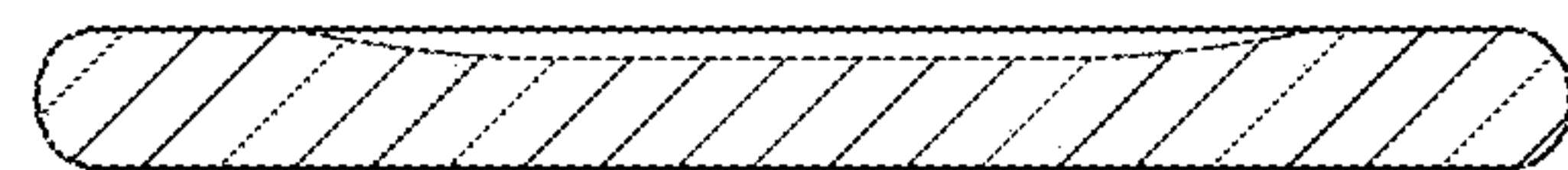
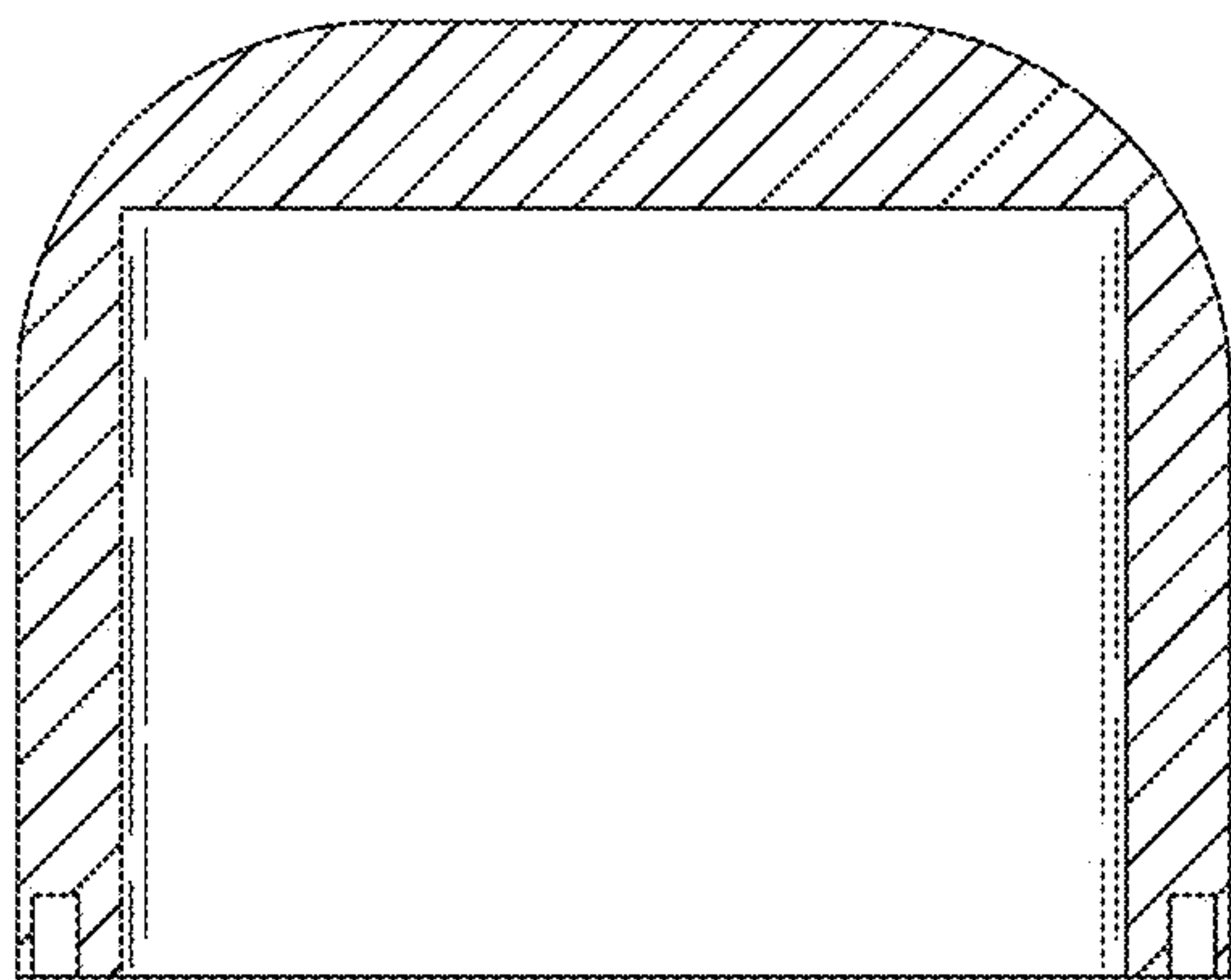
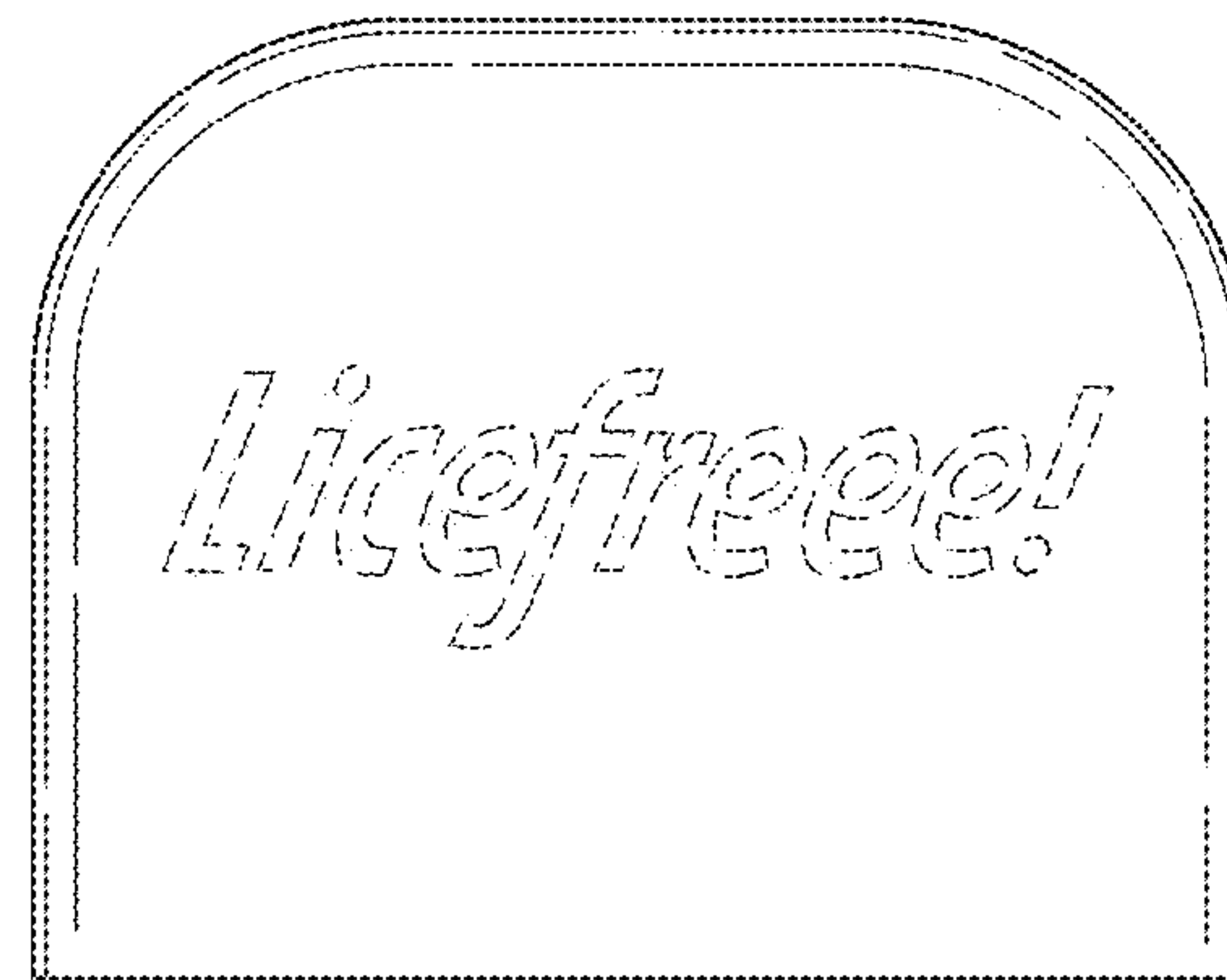
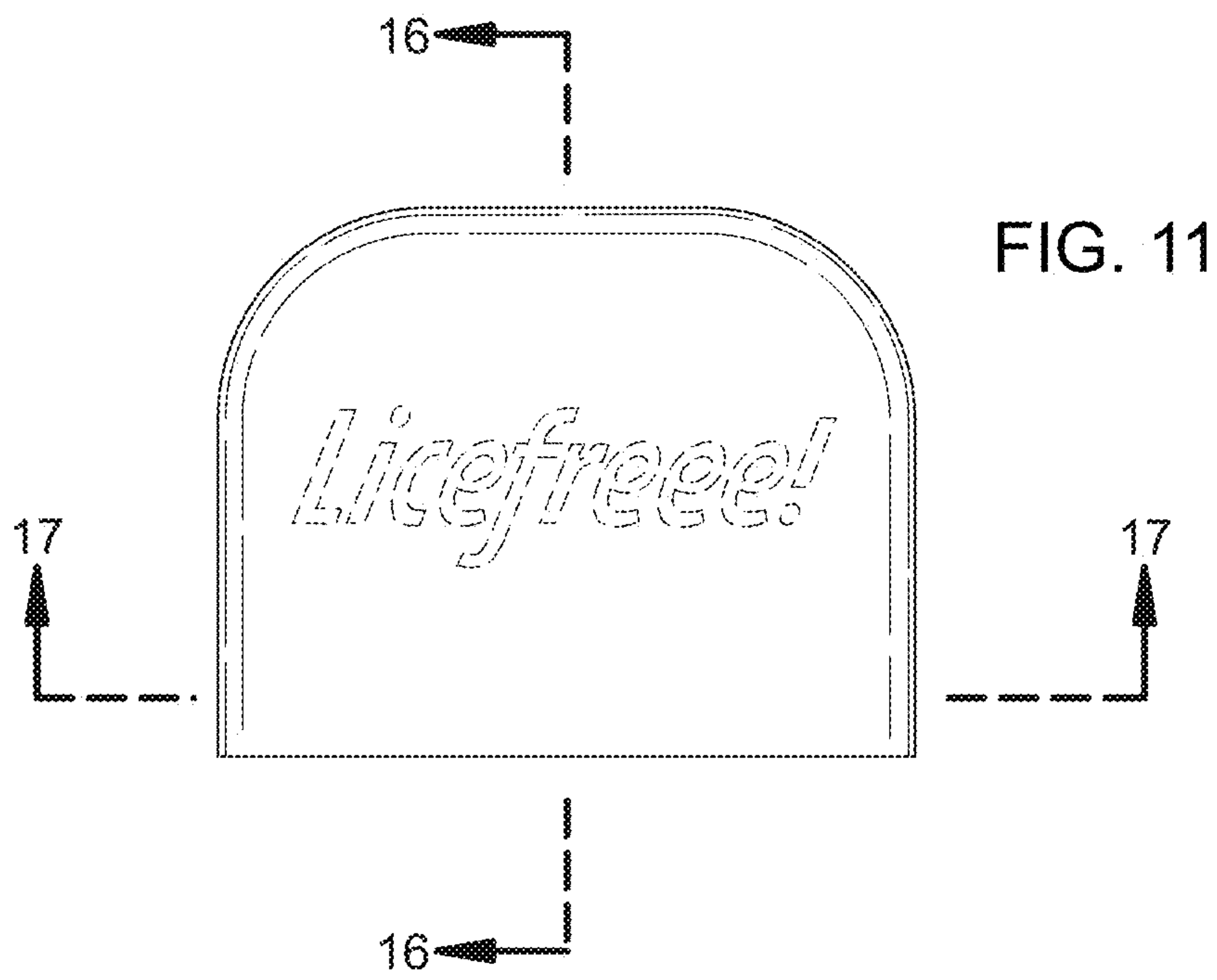


FIG. 10



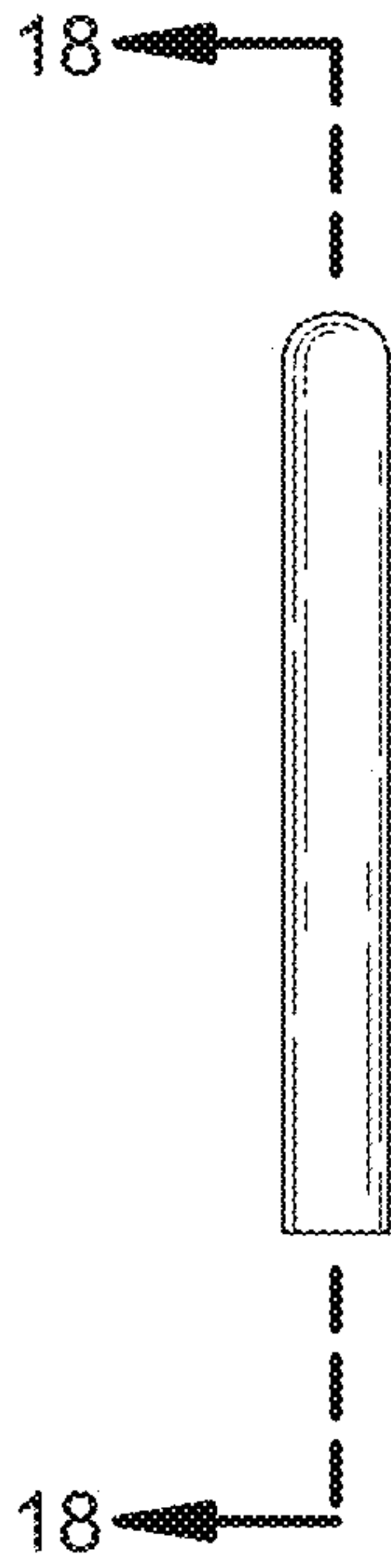


FIG. 13



FIG. 14



FIG. 15



FIG. 16

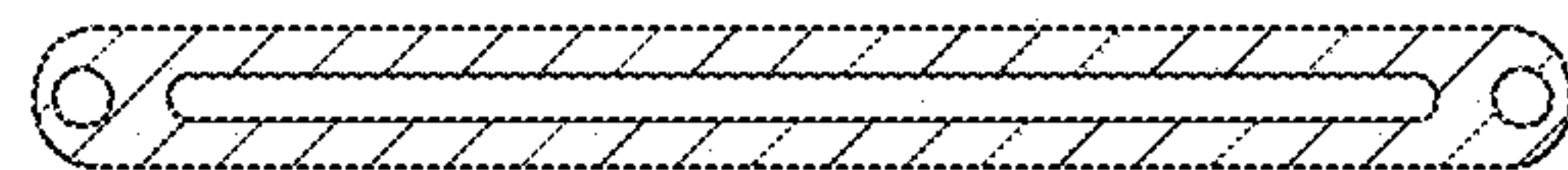


FIG. 17