



US00D936282S

(12) **United States Design Patent**
Yue

(10) **Patent No.:** **US D936,282 S**
(45) **Date of Patent:** **** Nov. 16, 2021**

(54) **HAIR DRYER**

DESCRIPTION

- (71) Applicant: **CONAIR CORPORATION**, Stamford, CT (US)
- (72) Inventor: **Po Kwan Brenda Yue**, Kowloon (HK)
- (73) Assignee: **Conair LLC**, Stamford, CT (US)
- (**) Term: **15 Years**
- (21) Appl. No.: **29/746,844**
- (22) Filed: **Aug. 18, 2020**
- (51) **LOC (13) Cl.** **28-03**
- (52) **U.S. Cl.**
USPC **D28/13**
- (58) **Field of Classification Search**
USPC D28/12-19; D8/29.1
CPC A45D 20/00; A45D 20/08; A45D 20/10;
A45D 20/12; A45D 20/122; A45D
20/124; A45D 2020/128
See application file for complete search history.

FIG. 1 is a front perspective view of an ornamental design for a hair dryer according to the present invention in an unfolded position;
 FIG. 2 is a left side elevational view of the hair dryer of FIG. 1 in the unfolded position;
 FIG. 3 is a right side elevational view of the hair dryer of FIG. 1 in the unfolded position;
 FIG. 4 is a rear elevational view of the hair dryer of FIG. 1 in the unfolded position;
 FIG. 5 is a front elevational view of the hair dryer of FIG. 1 in the unfolded position;
 FIG. 6 is a top plan view of the hair dryer of FIG. 1 in the unfolded position;
 FIG. 7 is a bottom plan view of the hair dryer of FIG. 1 in the unfolded position;
 FIG. 8 is rear perspective view of the hair dryer of FIG. 1 in the unfolded position;
 FIG. 9 is a front perspective view of the hair dryer according to the present invention in a folded position;
 FIG. 10 is a left side elevational view of the hair dryer of FIG. 9 in the folded position;
 FIG. 11 is a right side elevational view of the hair dryer of FIG. 9 in the folded position;
 FIG. 12 is a rear elevational view of the hair dryer of FIG. 9 in the folded position;
 FIG. 13 is a front elevational view of the hair dryer of FIG. 9 in the folded position;
 FIG. 14 is a top plan view of the hair dryer of FIG. 9 in the folded position;
 FIG. 15 is a bottom plan view of the hair dryer of FIG. 9 in the folded position; and,
 FIG. 16 is rear perspective view of the hair dryer of FIG. 9 in the folded position.
 The broken lines shown in FIGS. 1-16 are for the purpose of illustrating environmental structure and form no part of the claimed design.

(56) **References Cited**

U.S. PATENT DOCUMENTS

7,644,511 B2	1/2010	Ishikawa et al.	
D651,341 S *	12/2011	Schmitz	D28/13
D710,541 S *	8/2014	Miyaji	A45D 20/12
			D28/13
9,498,039 B2 *	11/2016	Matsui	H01T 23/00
D891,694 S *	7/2020	Hsu	D28/13
D911,603 S *	2/2021	Wang	D28/13
D914,968 S *	3/2021	Huang	D28/13

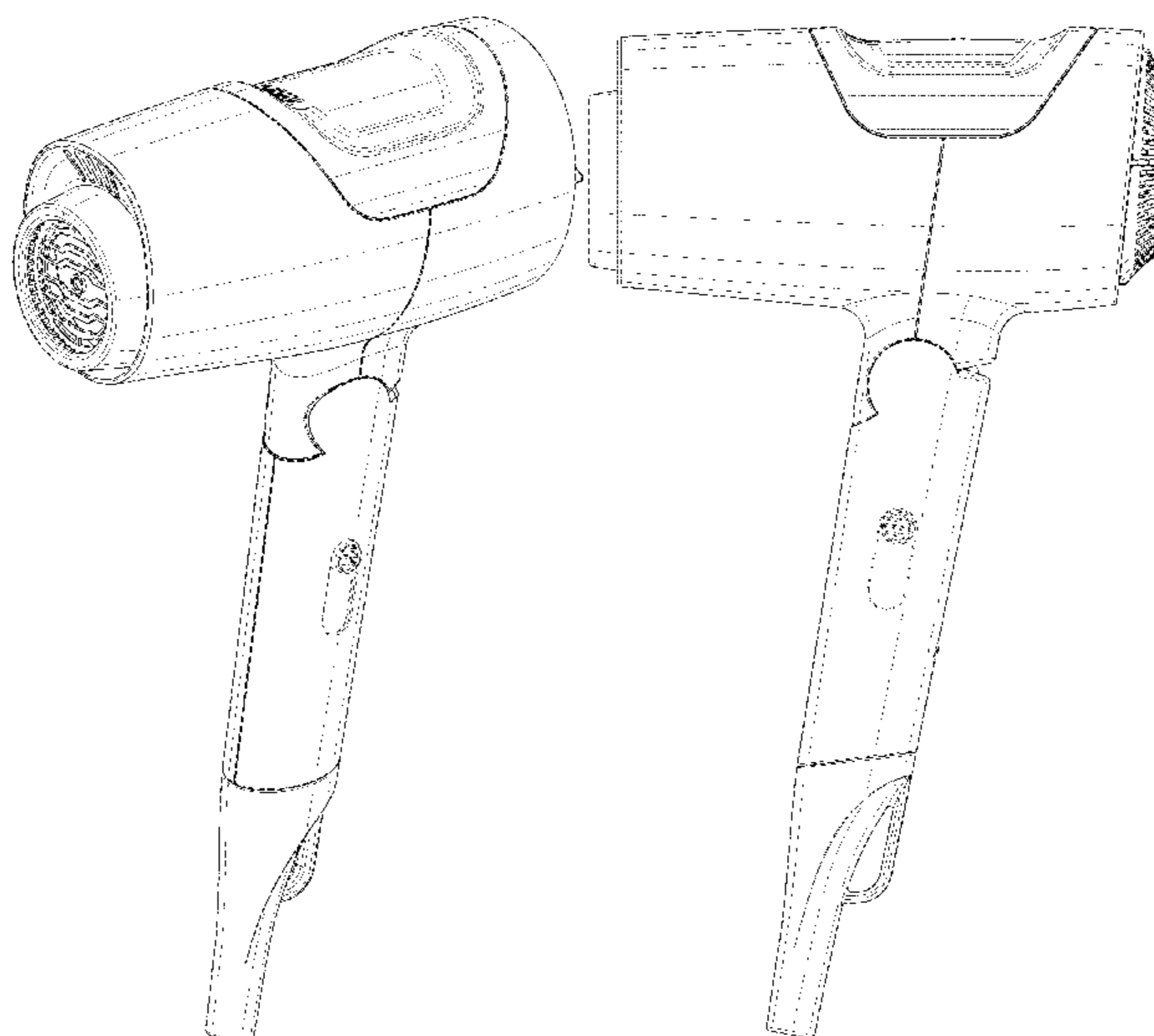
* cited by examiner

Primary Examiner — Zenia I Bennett
(74) *Attorney, Agent, or Firm* — Ohlandt, Greeley, Ruggiero & Perle, L.L.P.

(57) **CLAIM**

The ornamental design for a hair dryer, as shown and described.

1 Claim, 16 Drawing Sheets



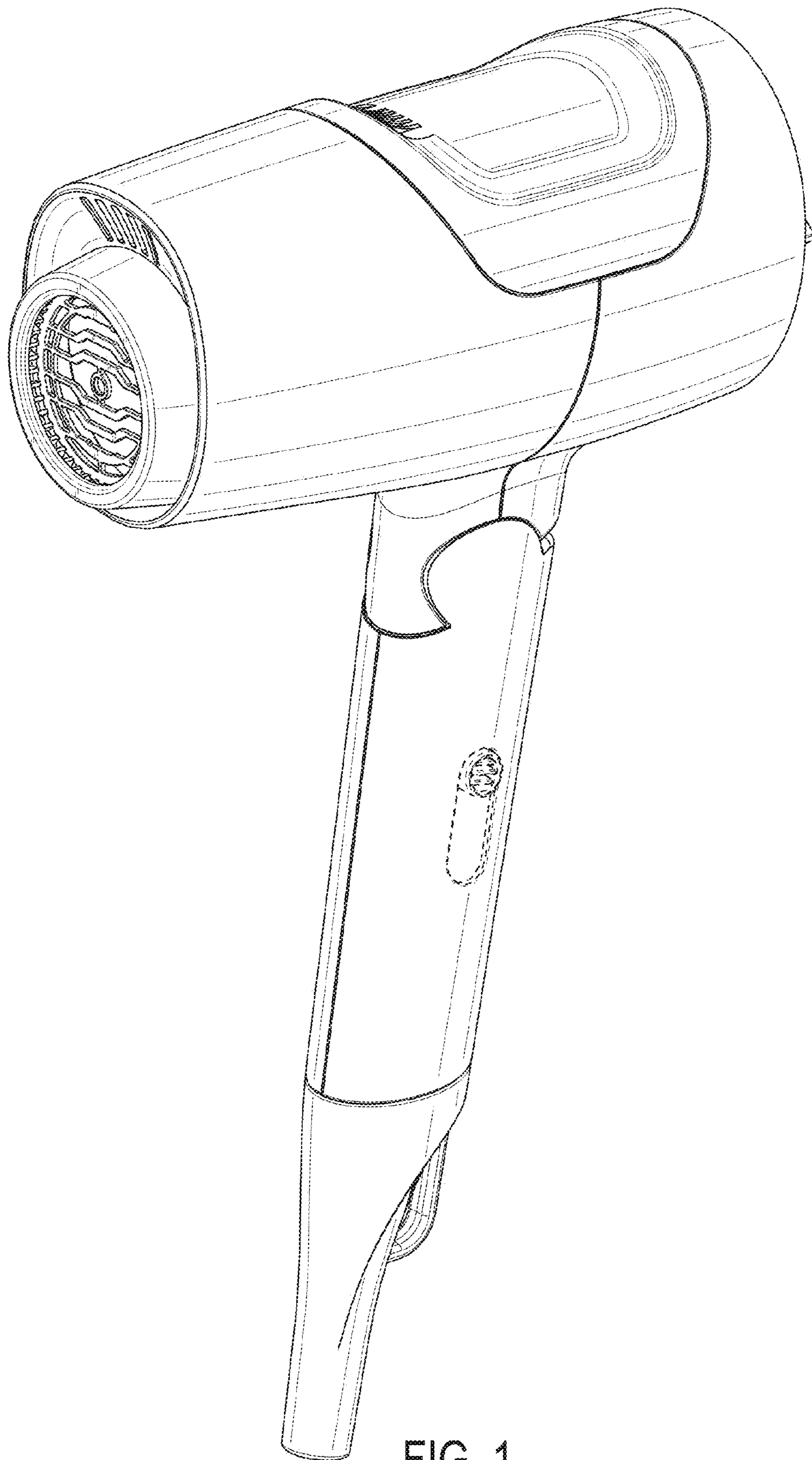


FIG. 1

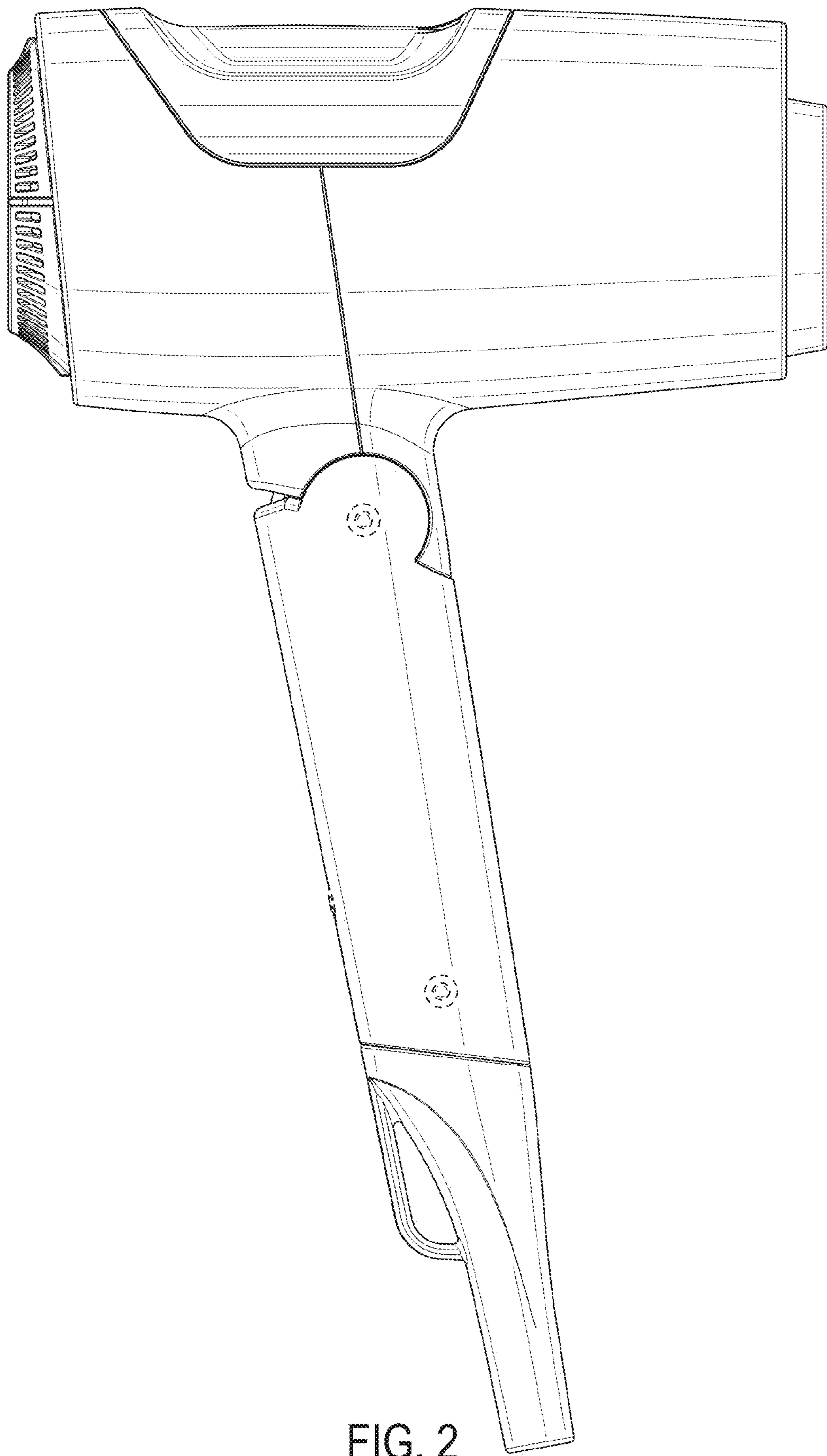


FIG. 2

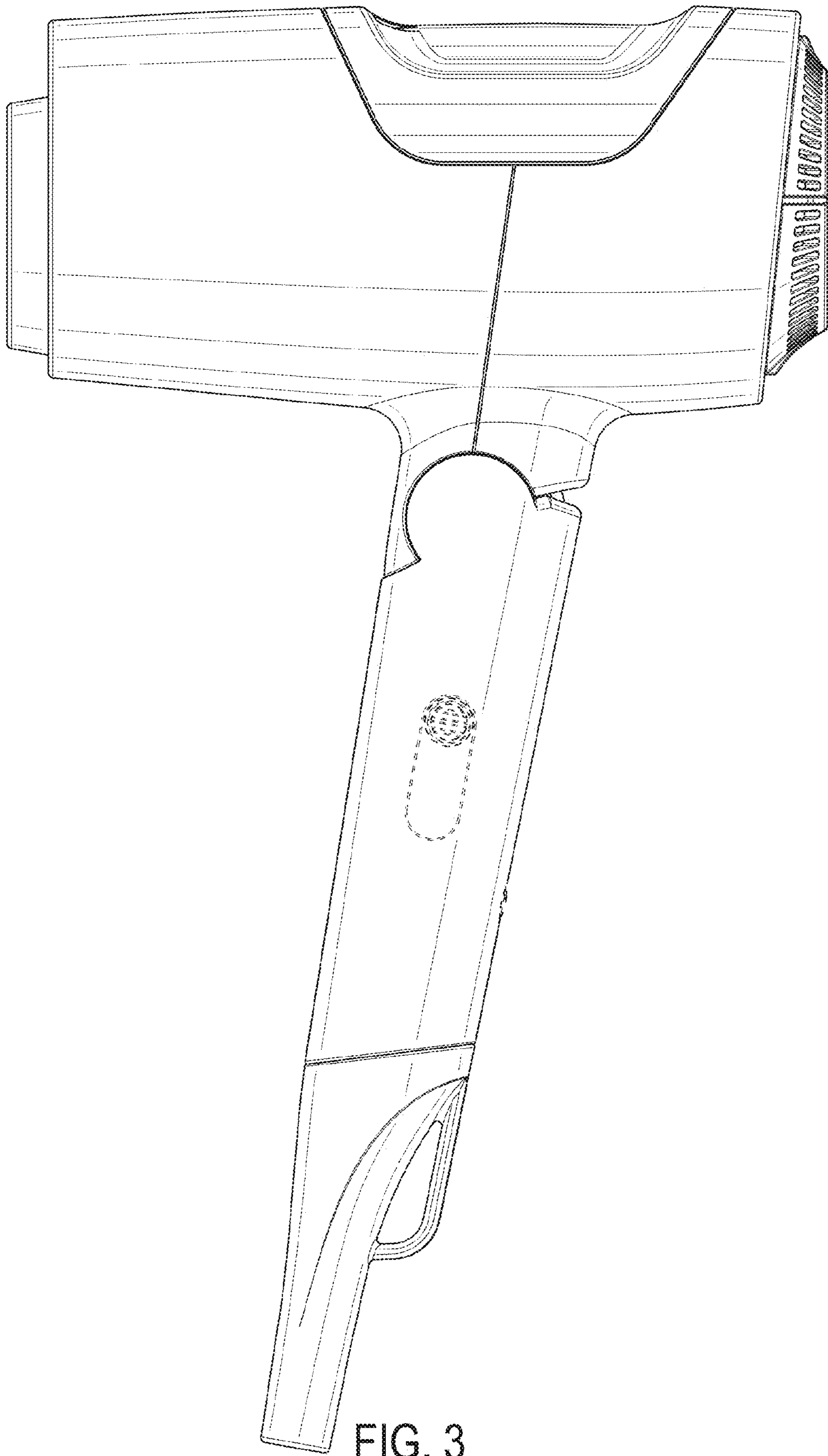


FIG. 3

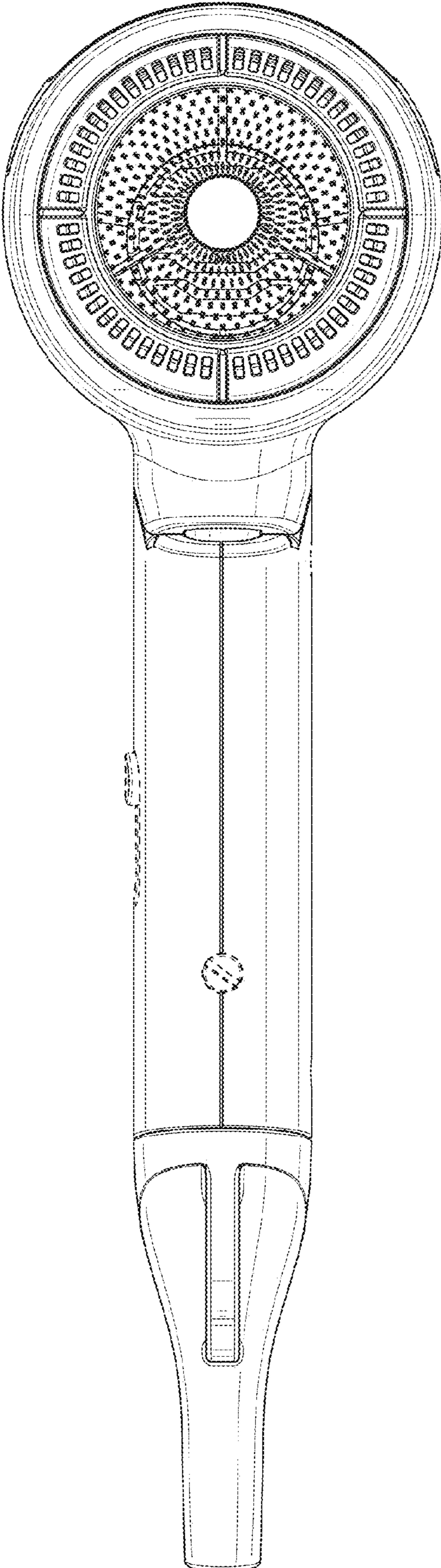


FIG. 4

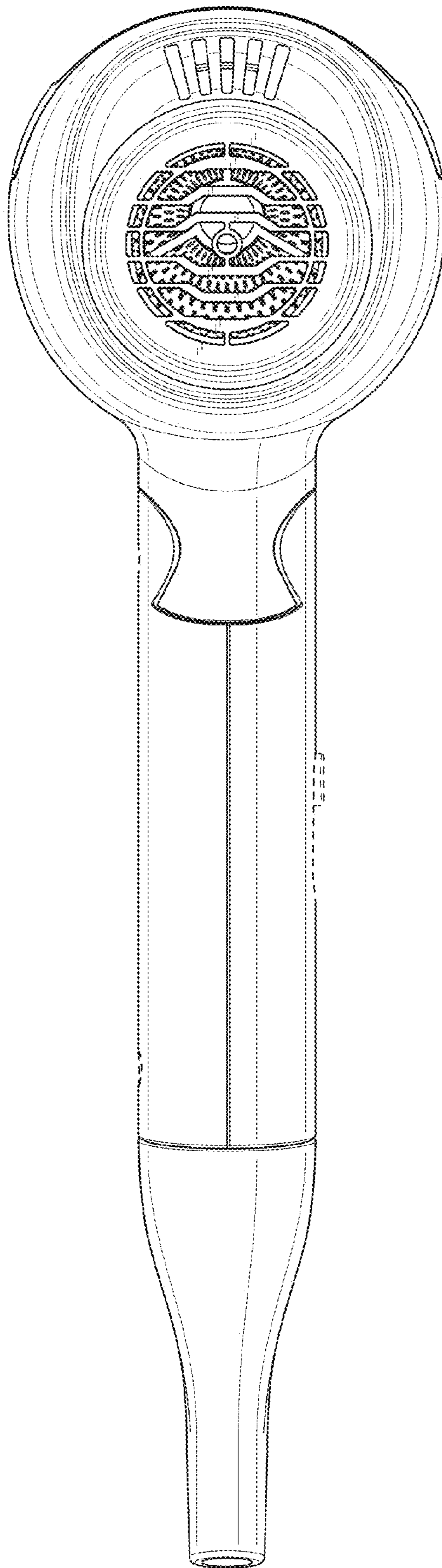


FIG. 5

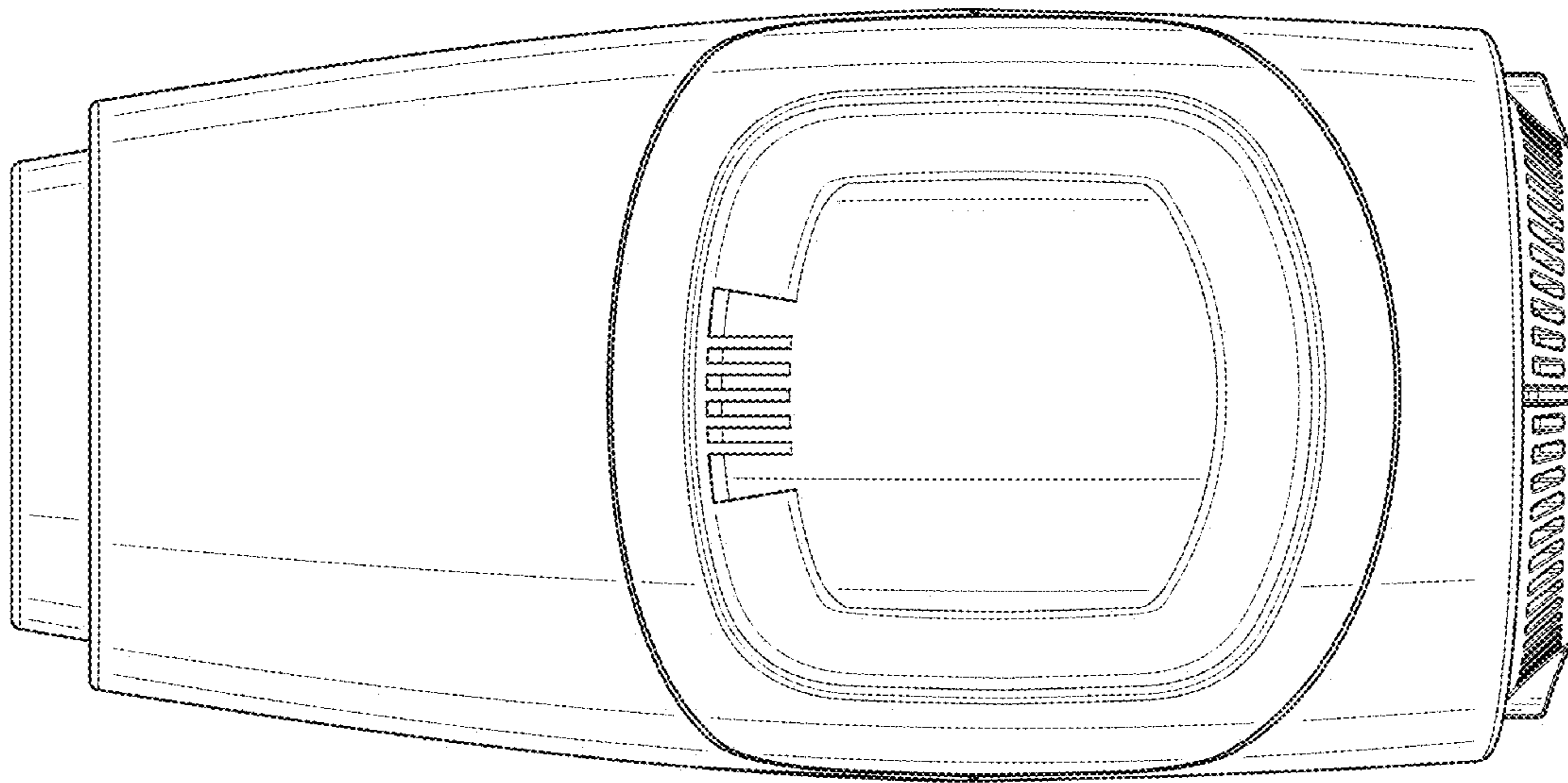


FIG. 6

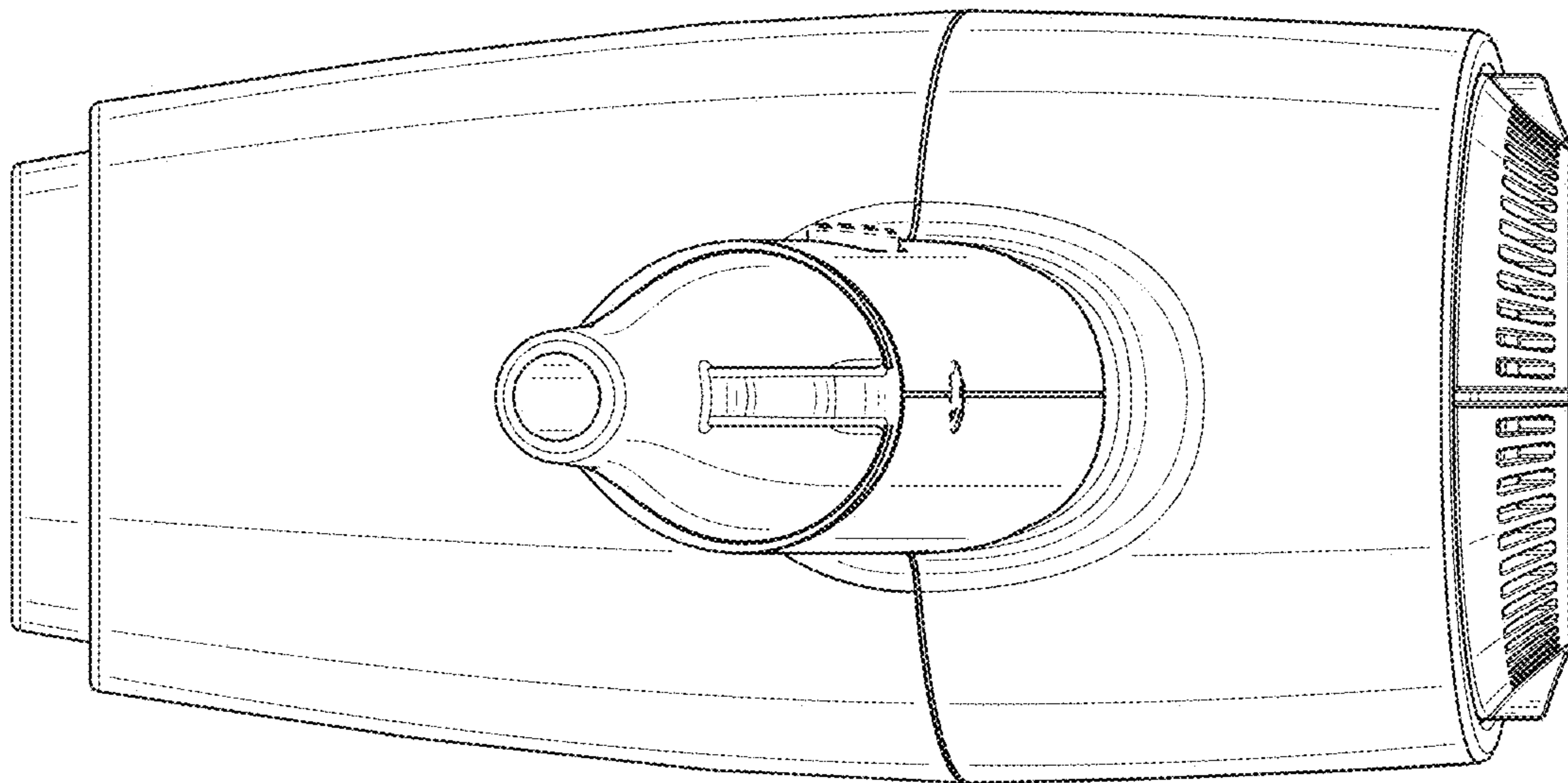


FIG. 7

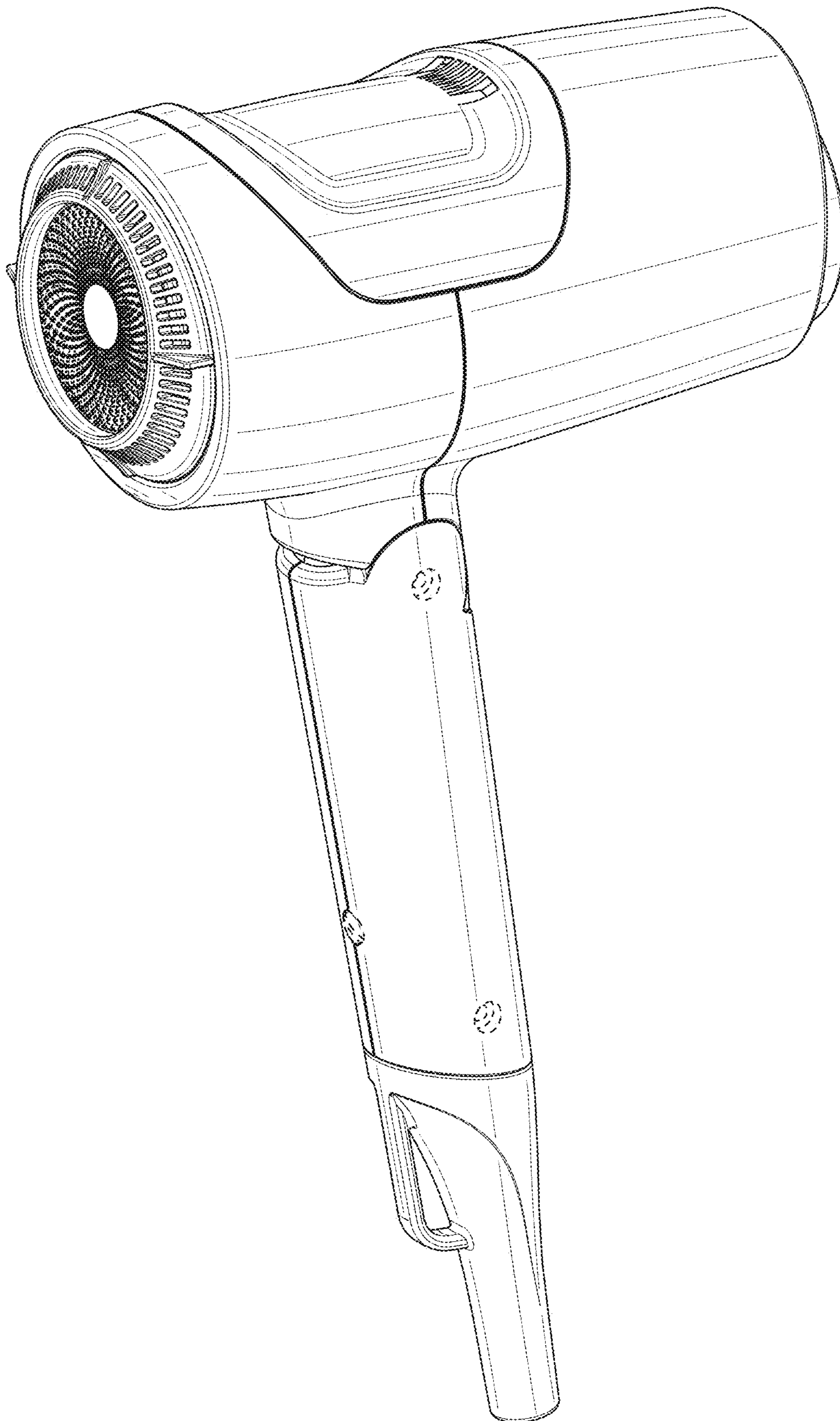


FIG. 8

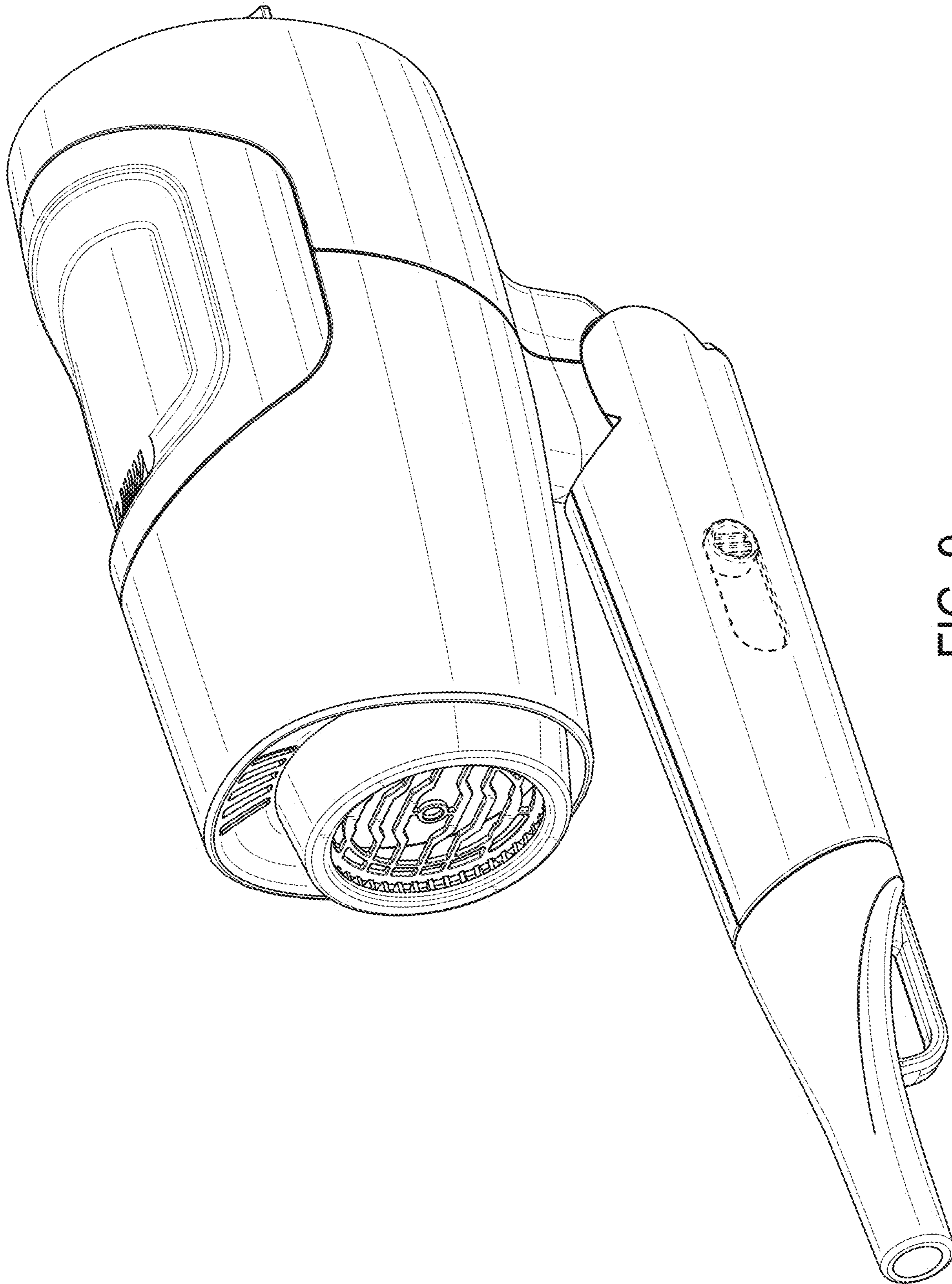


FIG. 9

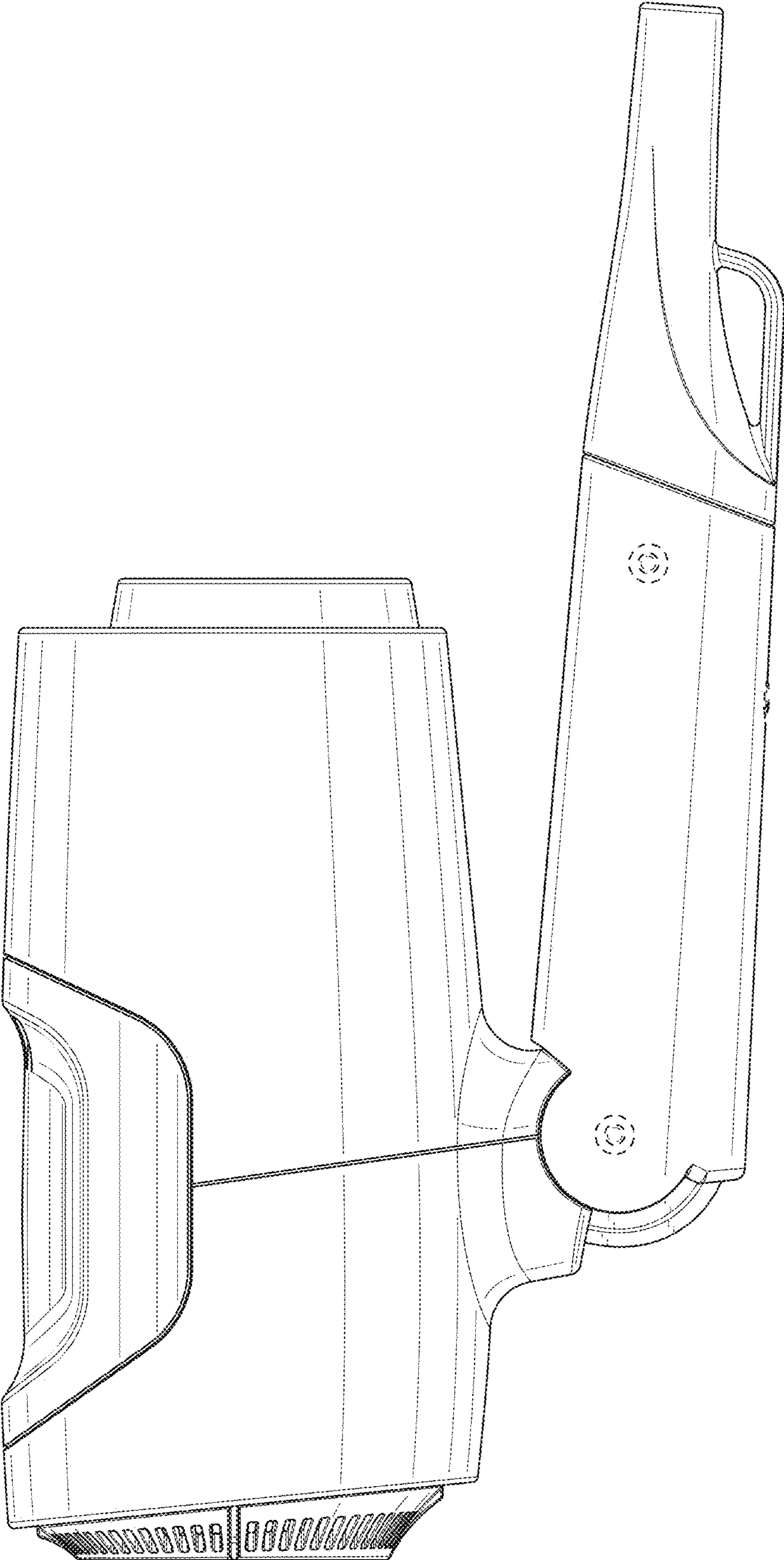


FIG. 10

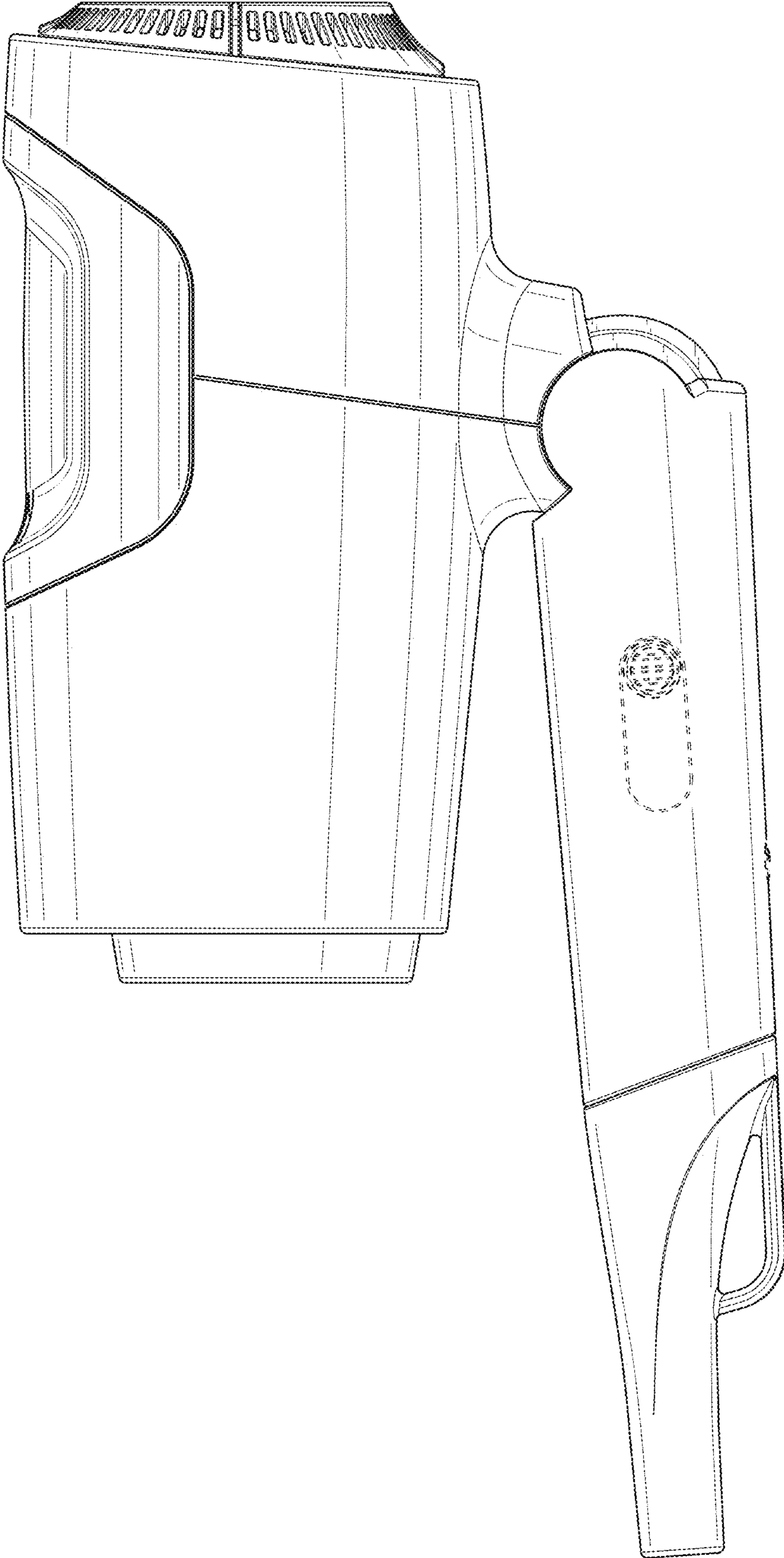


FIG. 11

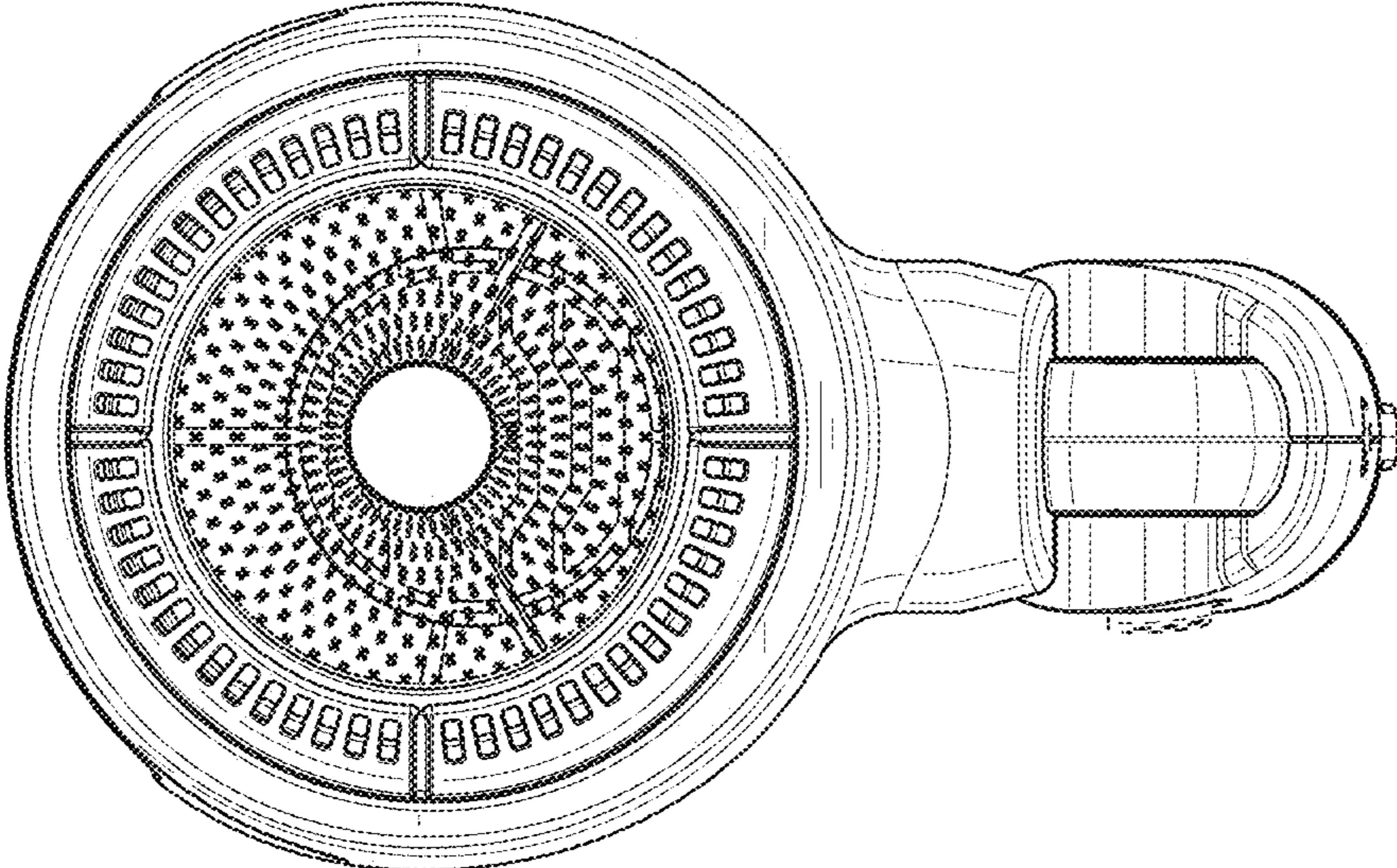


FIG. 12

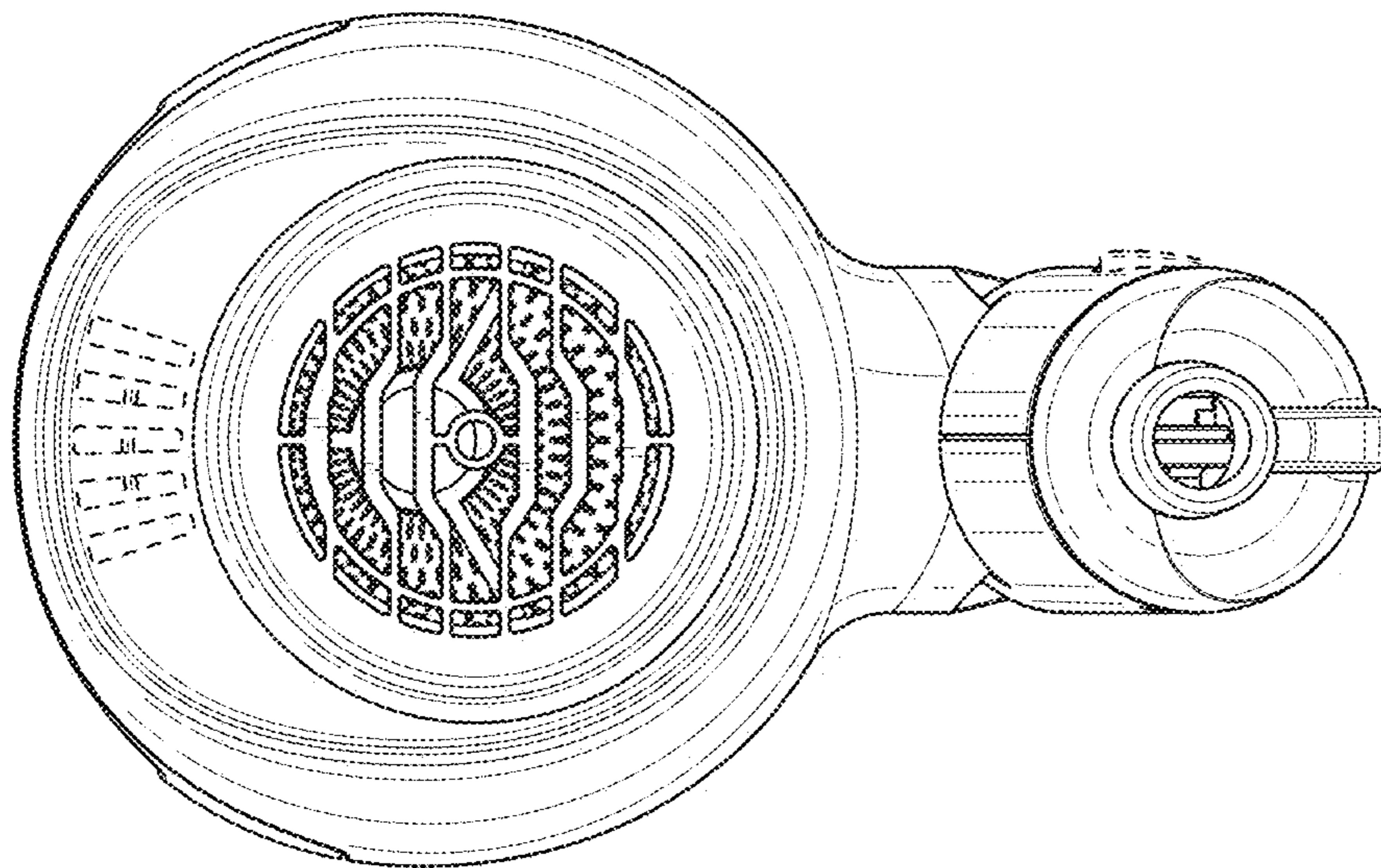


FIG. 13

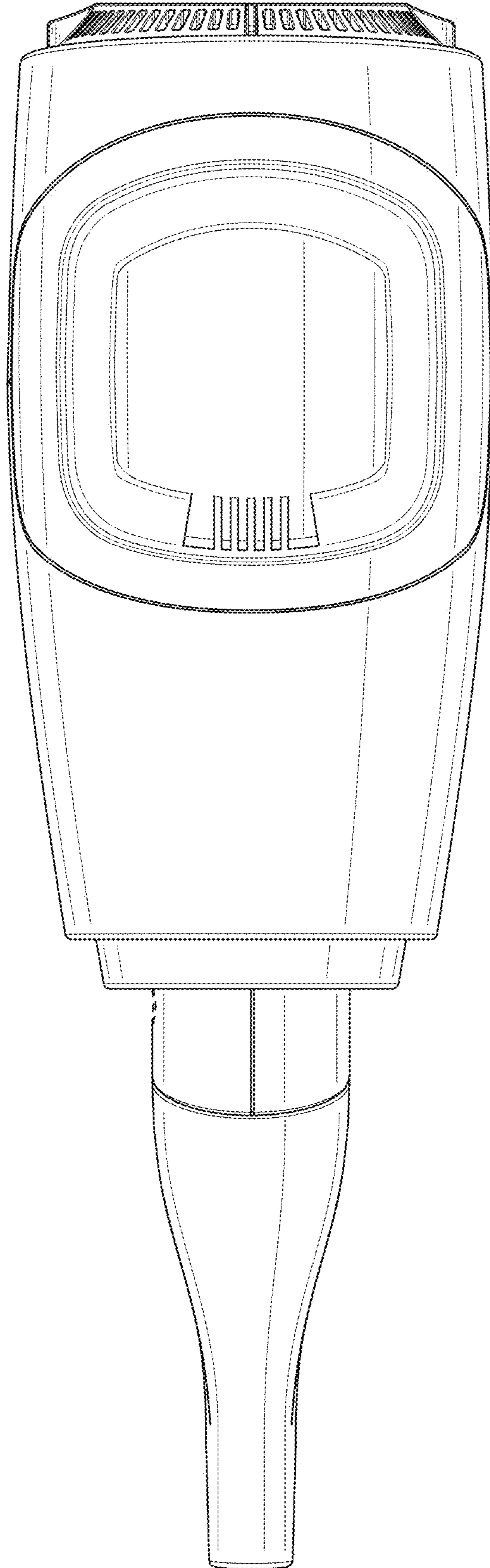


FIG. 14

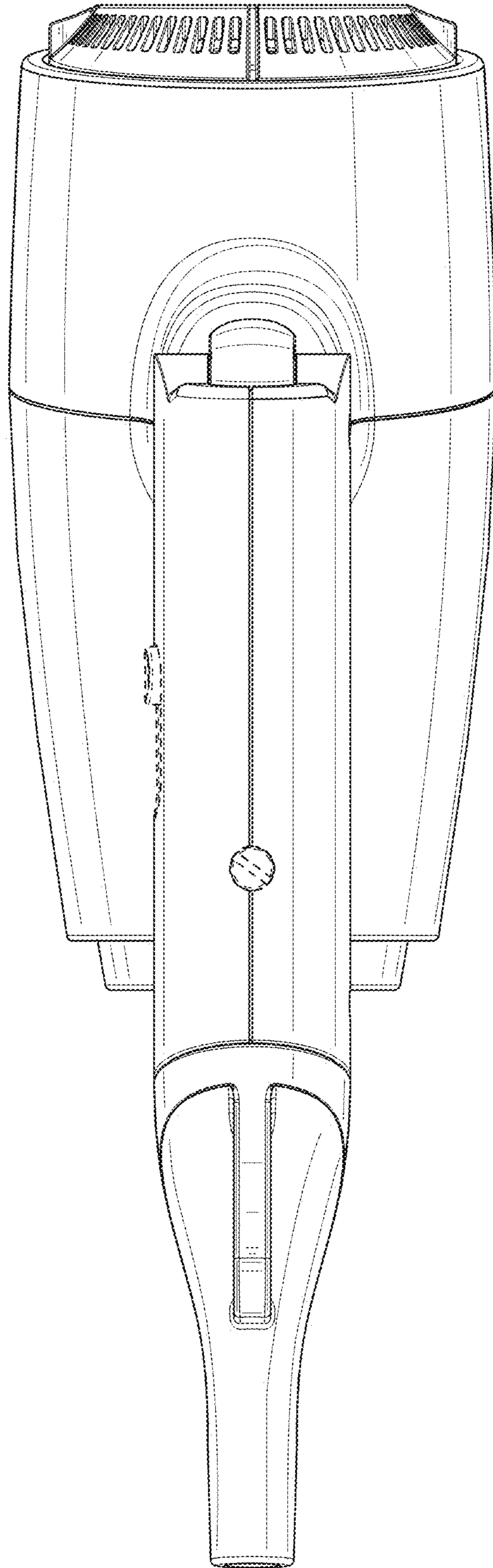


FIG. 15

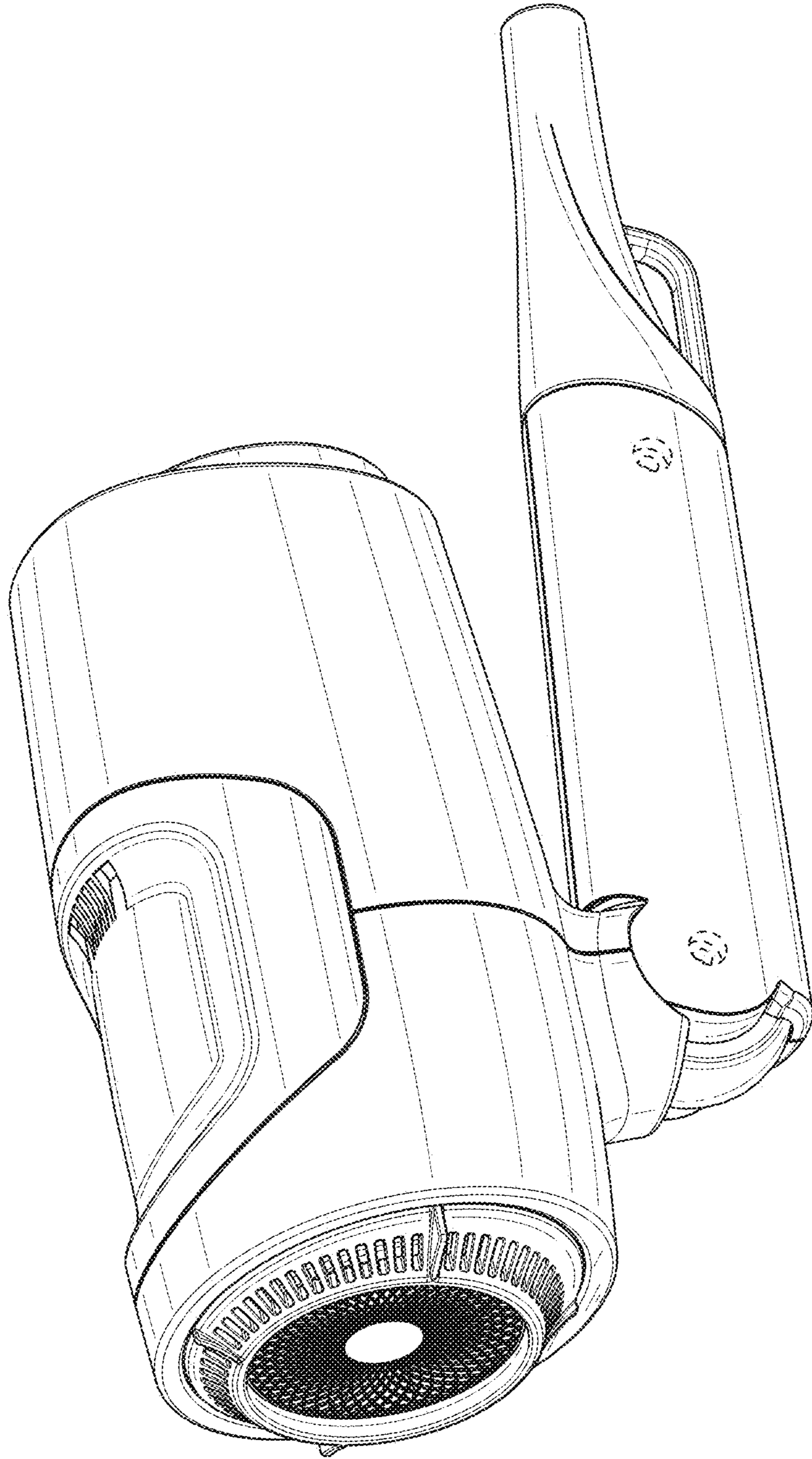


FIG. 16