



US00D936281S

(12) **United States Design Patent**  
**Zou**

(10) **Patent No.:** **US D936,281 S**

(45) **Date of Patent:** **\*\* Nov. 16, 2021**

(54) **FOOT DRYER**

7,278,225 B1 \* 10/2007 Espinosa ..... A47K 10/48  
34/202

(71) Applicant: **FINE DRAGON TECHNOLOGY LIMITED**, Guangdong (CN)

D841,249 S \* 2/2019 Luo ..... D28/58  
2013/0232808 A1 \* 9/2013 Liu ..... A47K 10/48  
34/90

(72) Inventor: **Zhenren Zou**, Guangdong (CN)

\* cited by examiner

(73) Assignee: **FINE DRAGON TECHNOLOGY LIMITED**, Shenzhen (CN)

*Primary Examiner* — Zenia I Bennett

(\*\*) Term: **15 Years**

(57) **CLAIM**

(21) Appl. No.: **29/748,512**

The ornamental design for a foot dryer, as shown and described.

(22) Filed: **Aug. 29, 2020**

(30) **Foreign Application Priority Data**

**DESCRIPTION**

Jul. 29, 2020 (CN) ..... 202030421454.2

(51) **LOC (13) Cl.** ..... **28-03**

(52) **U.S. Cl.**  
USPC ..... **D28/9**

(58) **Field of Classification Search**  
USPC ..... D28/9, 12, 54.1, 58; D23/357, 361, 385  
CPC ..... F26B 21/004; A45D 20/00; A47K 10/48;  
B05B 1/04  
See application file for complete search history.

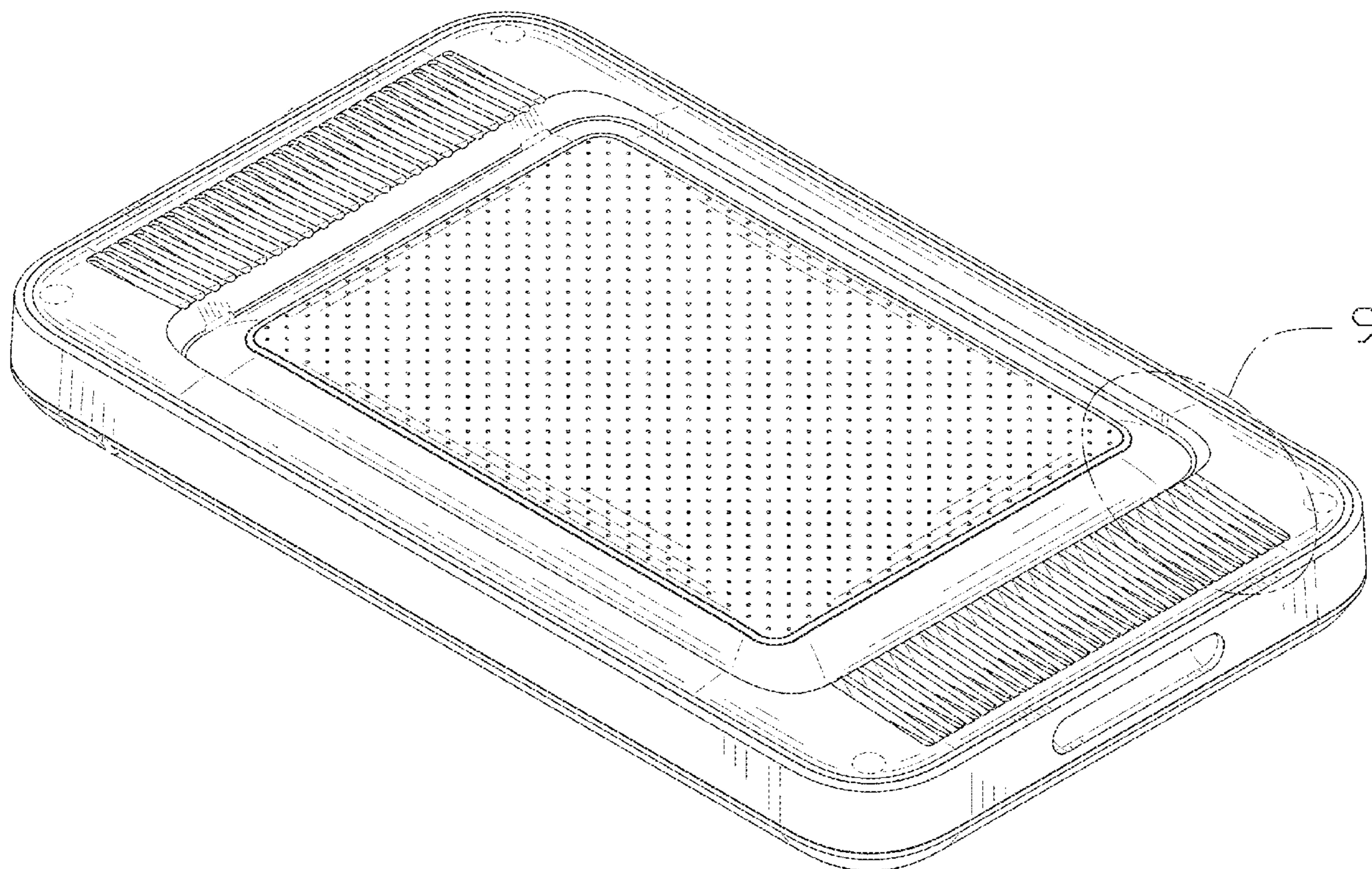
FIG. 1 is a top, front and right side perspective view of a foot dryer showing my new design;  
FIG. 2 is a bottom, rear and left side perspective view thereof;  
FIG. 3 is a front elevational view thereof;  
FIG. 4 is a rear elevational view thereof;  
FIG. 5 is a left side view thereof;  
FIG. 6 is a right side view thereof;  
FIG. 7 is a top plan view thereof;  
FIG. 8 is a bottom plan view thereof; and,  
FIG. 9 is an enlarged view of portion 9 in FIG. 1.  
The broken lines in the drawings illustrate portions of the foot dryer which form no part of the claimed design.

(56) **References Cited**

U.S. PATENT DOCUMENTS

D300,960 S \* 5/1989 Billings ..... D28/58  
D538,976 S \* 3/2007 Navas ..... D23/335

**1 Claim, 9 Drawing Sheets**



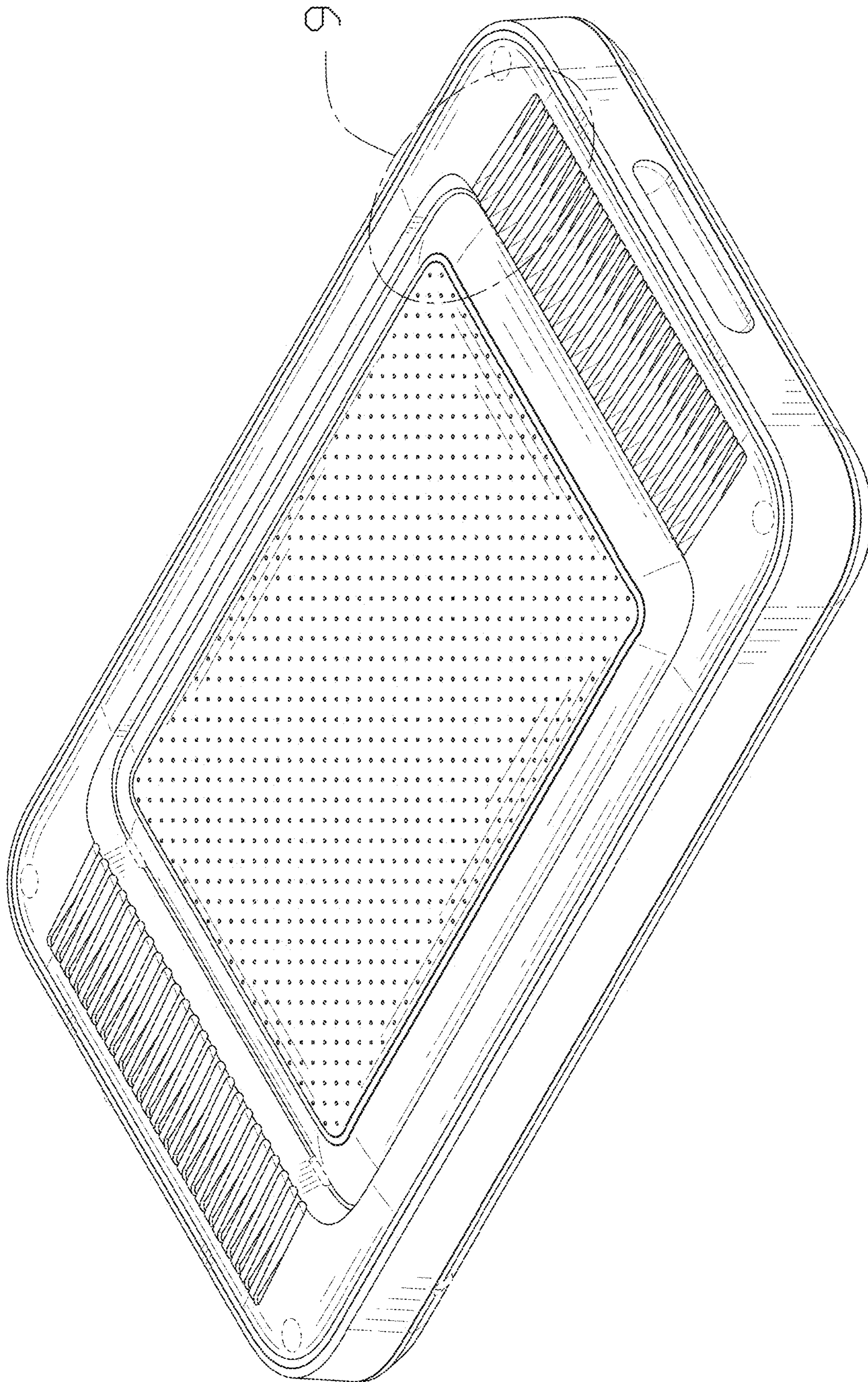


FIG. 1

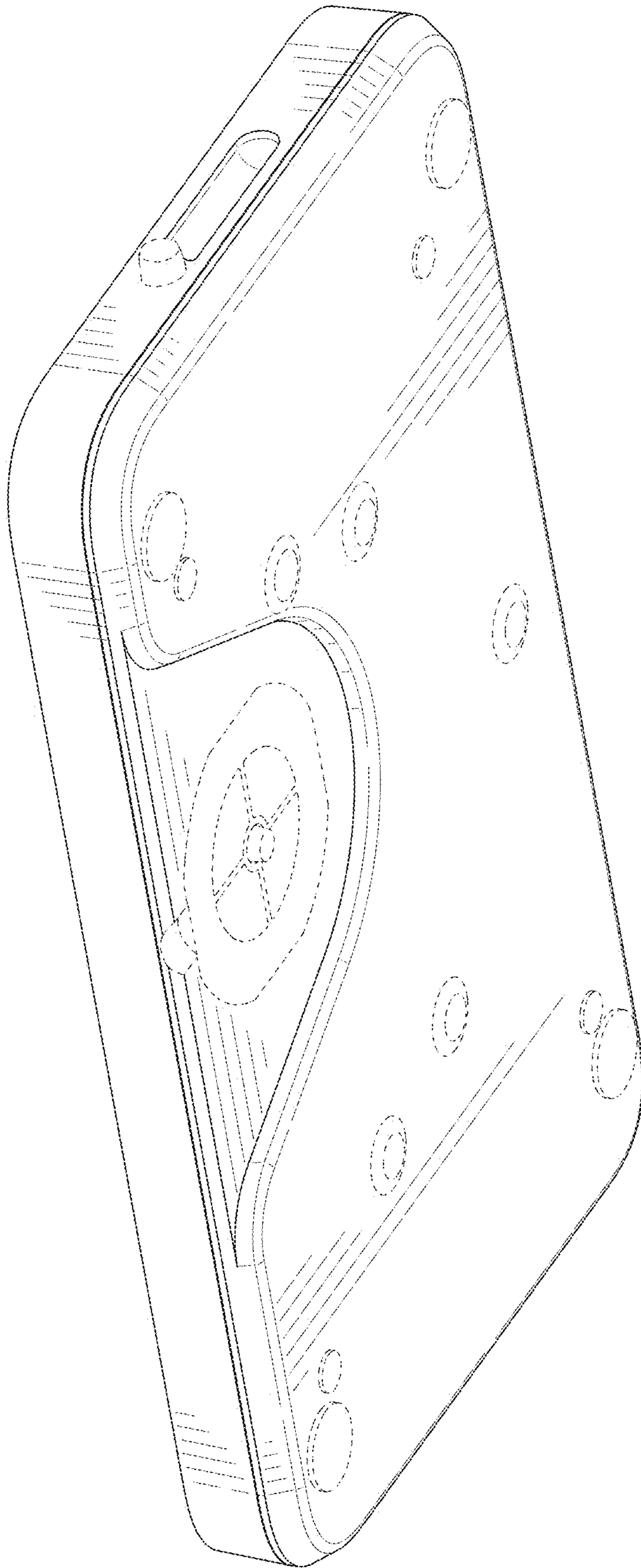


FIG. 2

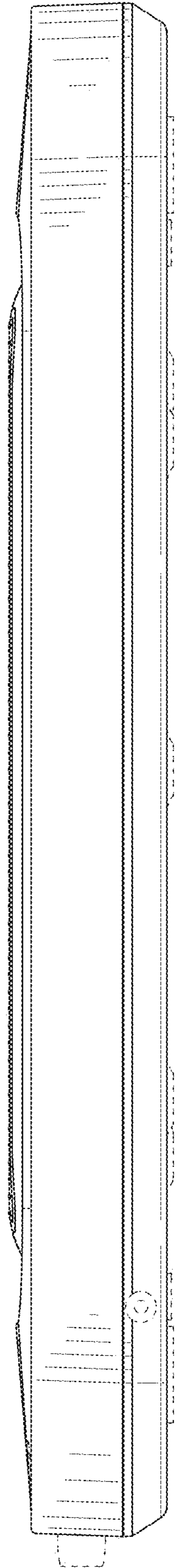


FIG. 3

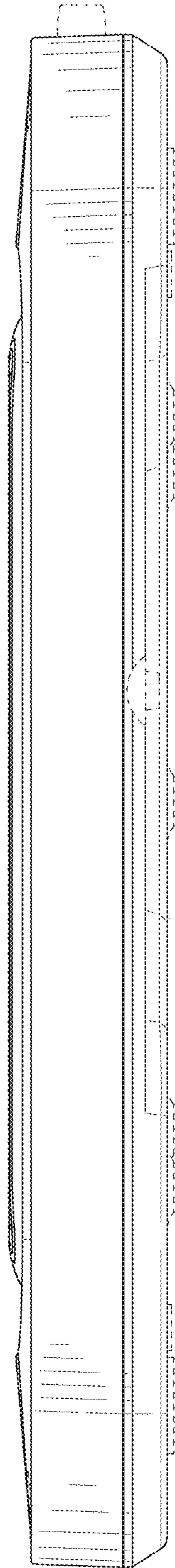


FIG. 4

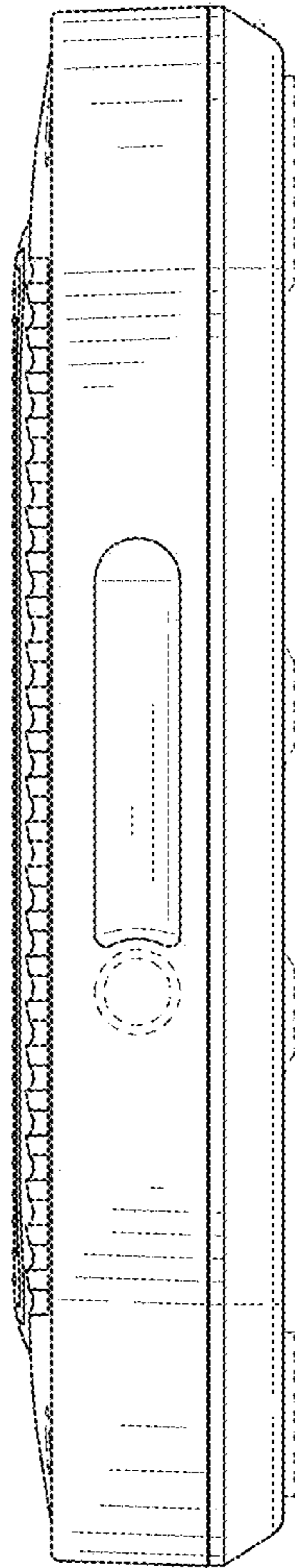


FIG. 5

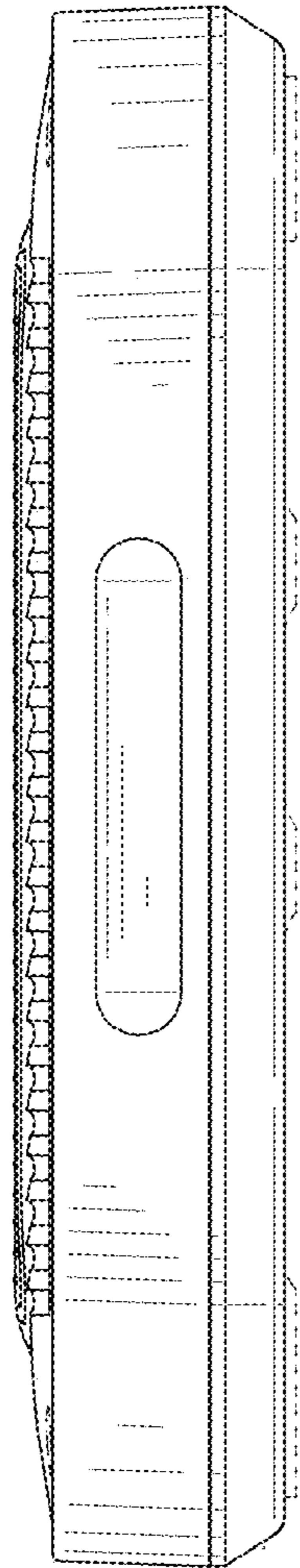


FIG. 6

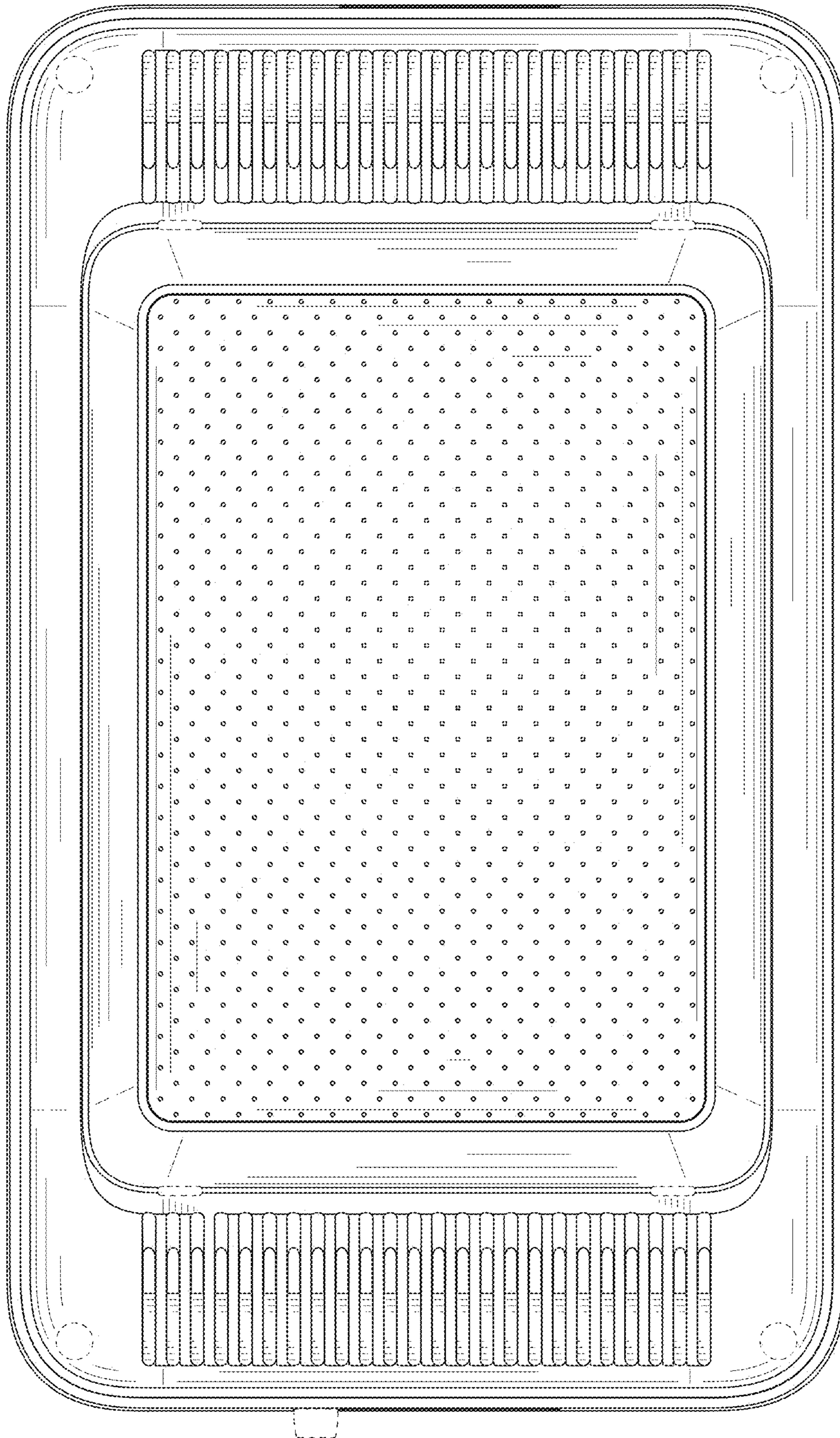


FIG. 7



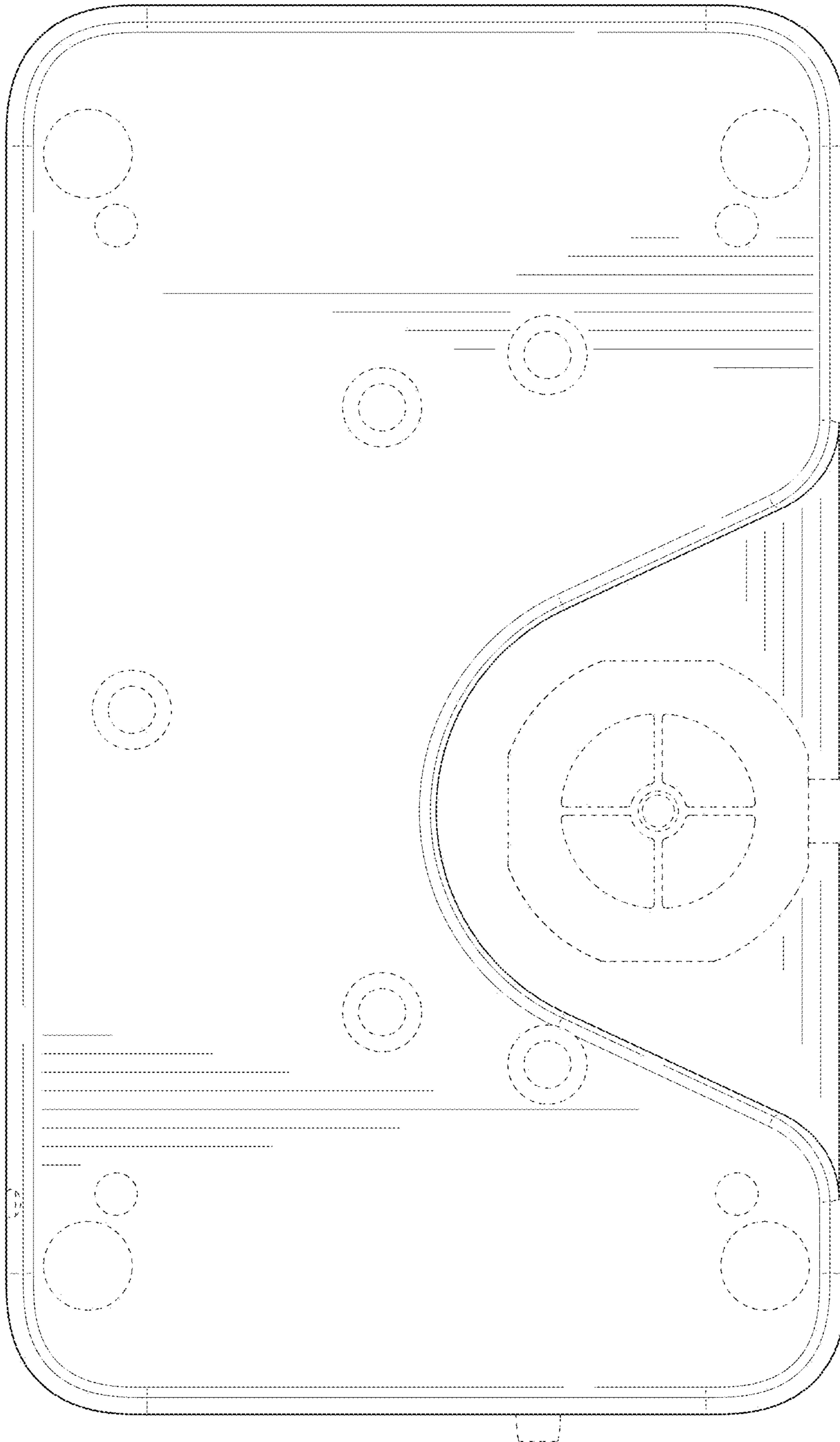


FIG. 8

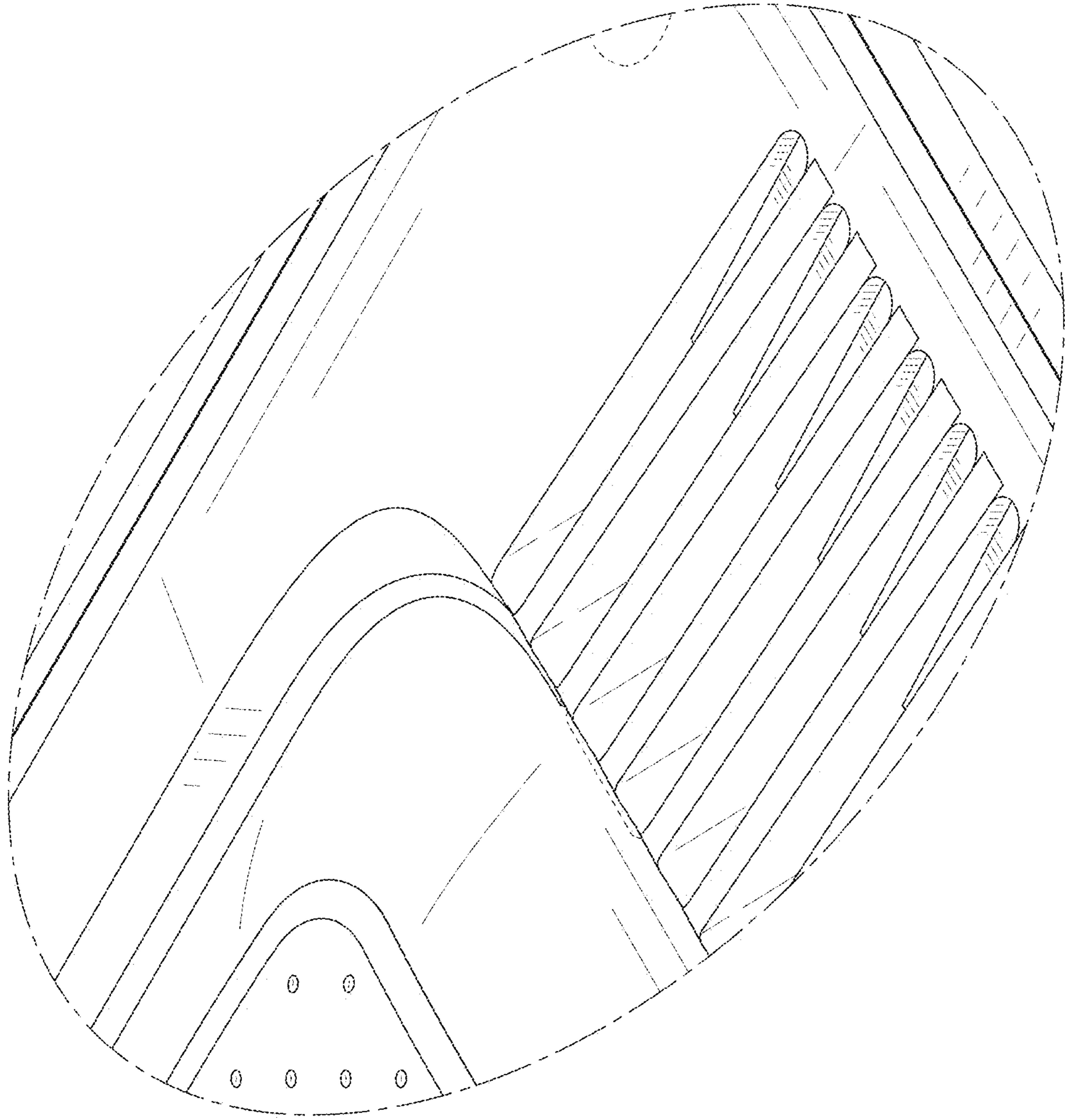


FIG. 9