



US00D936277S

(12) **United States Design Patent** (10) **Patent No.:** **US D936,277 S**  
**Rotenberg et al.** (45) **Date of Patent:** **\*\* Nov. 16, 2021**

(54) **POD LIGHT FIXTURE**

(56) **References Cited**

(71) Applicant: **HORIZON GLOBAL AMERICAS INC.**, Plymouth, MI (US)  
(72) Inventors: **Gregory Y. Rotenberg**, Highland Heights, OH (US); **Theodore Joseph Siegel**, Mayfield Heights, OH (US); **Eric Michael Yukich**, Stow, OH (US); **Douglas Earl Soulsby**, Stow, OH (US)

U.S. PATENT DOCUMENTS

D32,793 S	6/1900	Fauber	
D252,832 S	9/1979	Bowser	
5,515,252 A	5/1996	Osteen	
D399,022 S	9/1998	Jensen	
D433,771 S	11/2000	Hiller	
D459,515 S	6/2002	Gaskins	
D536,473 S *	2/2007	Tan	..... D26/93
D558,908 S	1/2008	Waedeled	

(Continued)

(73) Assignee: **HORIZON GLOBAL AMERICAS INC.**, Plymouth, MI (US)

FOREIGN PATENT DOCUMENTS

WO	WO 2005/074360	8/2005
WO	WO 2015154143	10/2015

(\*\*) Term: **15 Years**

OTHER PUBLICATIONS

(21) Appl. No.: **29/730,505**

International Searching Authority European Patent Office, International Search Report and Written Opinion for PCT/US2017/038995 dated Sep. 4, 2017.

(22) Filed: **Apr. 6, 2020**

**Related U.S. Application Data**

(60) Division of application No. 29/610,519, filed on Jul. 13, 2017, now Pat. No. Des. 884,262, which is a continuation-in-part of application No. 29/583,220, filed on Nov. 3, 2016, now Pat. No. Des. 825,833.

*Primary Examiner* — Natasha Vujcic

(74) *Attorney, Agent, or Firm* — McDonald Hopkins LLC

(51) **LOC (13) Cl.** ..... **26-05**

(57) **CLAIM**

The ornamental design for a pod light fixture, as shown and described.

(52) **U.S. Cl.**

USPC ..... **D26/142**

**DESCRIPTION**

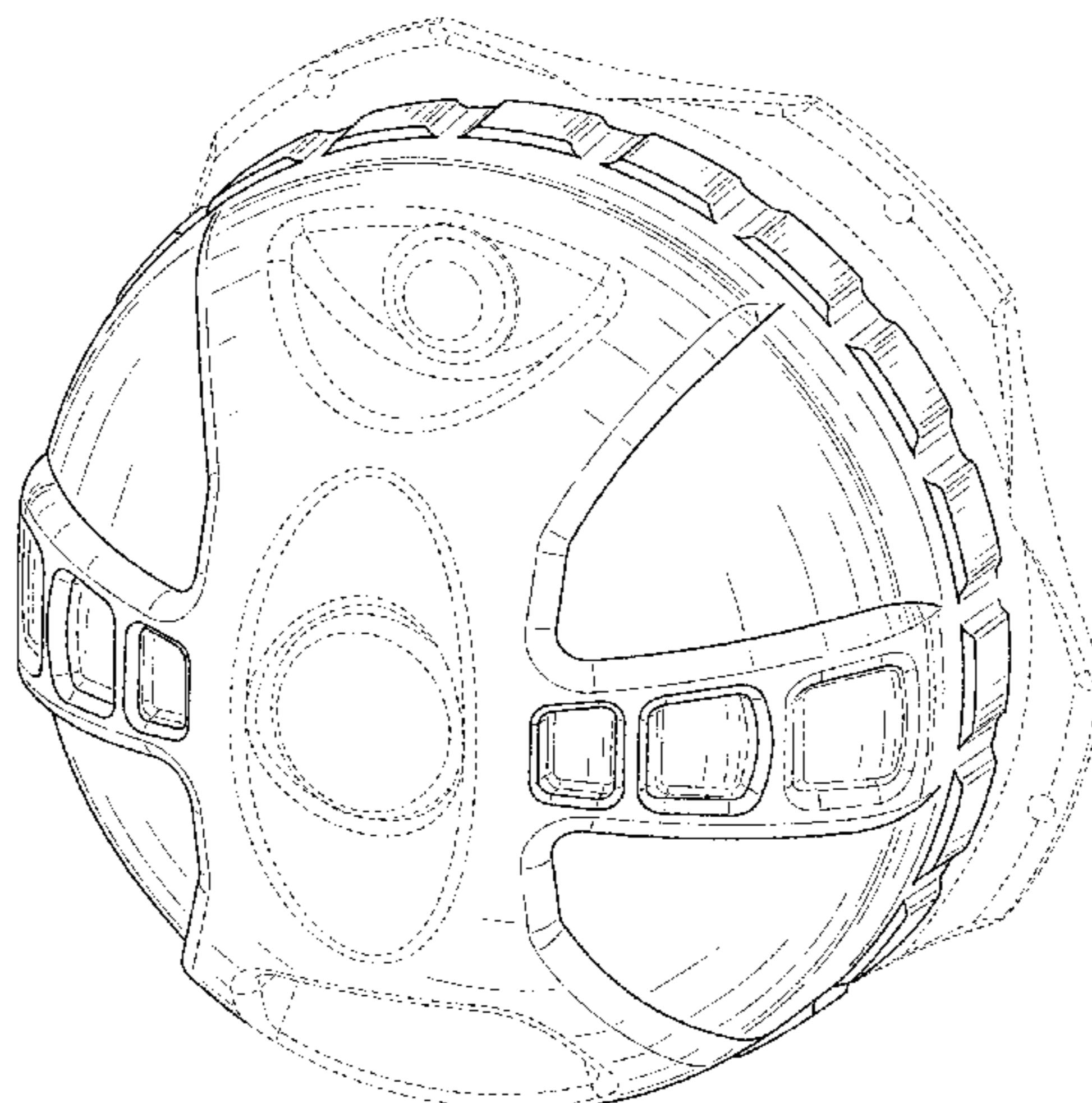
(58) **Field of Classification Search**

USPC ..... D26/72, 74, 76, 78–83, 85, 86, 88, 90, D26/93, 111, 113, 118, 119, 120, 121, D26/122, 138, 139, 140, 141, 142, 152  
CPC ..... F21S 2/00; F21S 4/00; F21S 4/003; F21S 4/005; F21S 4/006; F21S 4/007; F21S 4/008; F21S 6/00; F21S 8/00; F21S 8/024; F21S 8/026; F21S 8/031; F21S 8/033; F21S 8/035–037; F21S 8/04; F21S 8/043; F21S 8/063

FIG. 1 is a perspective view of a pod light fixture showing our new design;  
FIG. 2 is a top view of FIG. 1 thereof;  
FIG. 3 is a bottom view of FIG. 1 thereof;  
FIG. 4 is a first side view of FIG. 1 thereof;  
FIG. 5 is a second side view of FIG. 1 thereof;  
FIG. 6 is a front view of FIG. 1 thereof;  
FIG. 7 is a back view of FIG. 1 thereof; and,  
FIG. 8 is a bottom perspective view of FIG. 1 thereof.  
The broken lines in the figures are included for the purpose of illustrating portions of a pod light fixture and form no part of the claimed design.

See application file for complete search history.

**1 Claim, 6 Drawing Sheets**



(56)

References Cited

U.S. PATENT DOCUMENTS

D564,687 S 3/2008 Bucher  
 D565,240 S 3/2008 Blum  
 D580,093 S 11/2008 Conroy  
 D607,597 S 1/2010 Choi  
 D617,485 S 6/2010 Hamilton  
 D622,443 S \* 8/2010 Huang ..... D26/142  
 D628,739 S \* 12/2010 Lu ..... D26/113  
 D632,839 S \* 2/2011 Kim ..... D26/138  
 D641,517 S \* 7/2011 Sprengers ..... D26/89  
 D648,887 S 11/2011 Kong  
 D664,708 S 7/2012 Toft  
 D680,673 S 4/2013 Levine  
 D702,279 S 4/2014 Zhan  
 D710,049 S 7/2014 Haws  
 D710,050 S 7/2014 Haws  
 D710,051 S 7/2014 Haws  
 D741,539 S 10/2015 Gettings  
 D745,210 S \* 12/2015 Serwacki ..... D26/138  
 D757,991 S \* 5/2016 Intelisano ..... D26/118  
 D758,561 S 6/2016 Dolan

D758,636 S 6/2016 Breedlove  
 D770,673 S \* 11/2016 Hasan ..... D26/138  
 D773,717 S 12/2016 Amato  
 D796,733 S \* 9/2017 LaDuca ..... D26/138  
 D800,944 S 10/2017 Sonneman  
 D825,833 S 8/2018 Rotenberg  
 D830,612 S \* 10/2018 Boissevain ..... D26/89  
 D836,811 S \* 12/2018 Shundong ..... D26/67  
 D837,443 S \* 1/2019 Slaatto ..... D26/118  
 D839,474 S 1/2019 Guillaume  
 D879,341 S \* 3/2020 Kassin ..... D26/37  
 D884,262 S \* 5/2020 Rotenberg ..... D26/142  
 D890,411 S \* 7/2020 Bai ..... D26/138  
 D891,675 S \* 7/2020 Liu ..... D26/85  
 D893,785 S \* 8/2020 Wu ..... D26/51  
 D907,284 S \* 1/2021 Danesh ..... F21S 8/02  
 D26/138  
 D915,655 S \* 4/2021 Liu ..... D26/74  
 2005/0265035 A1 12/2005 Brass  
 2007/0236931 A1 10/2007 Chien  
 2015/0146416 A1 5/2015 Watson  
 2017/0368677 A1 12/2017 Rotenberg

\* cited by examiner

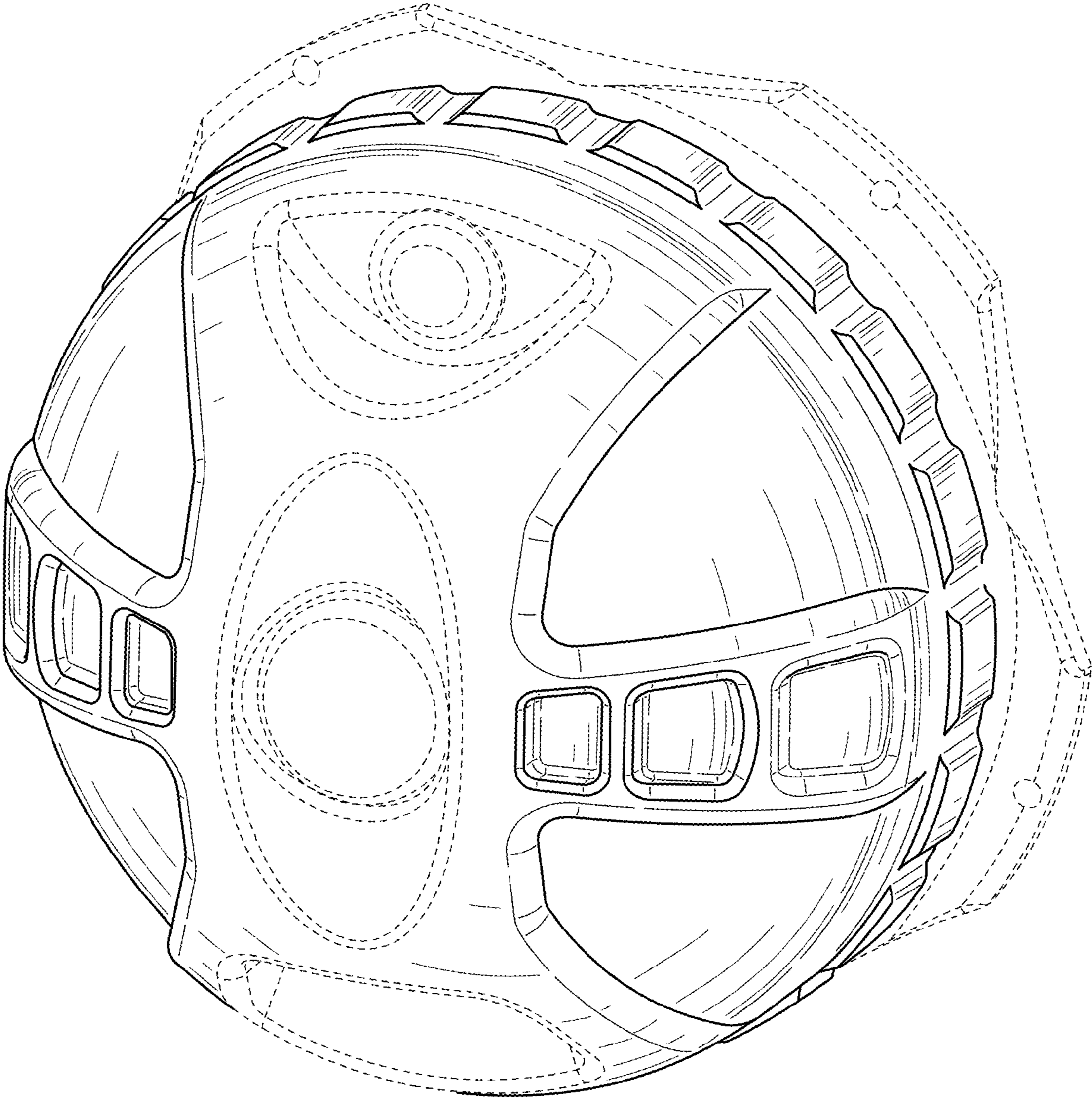


FIG. 1

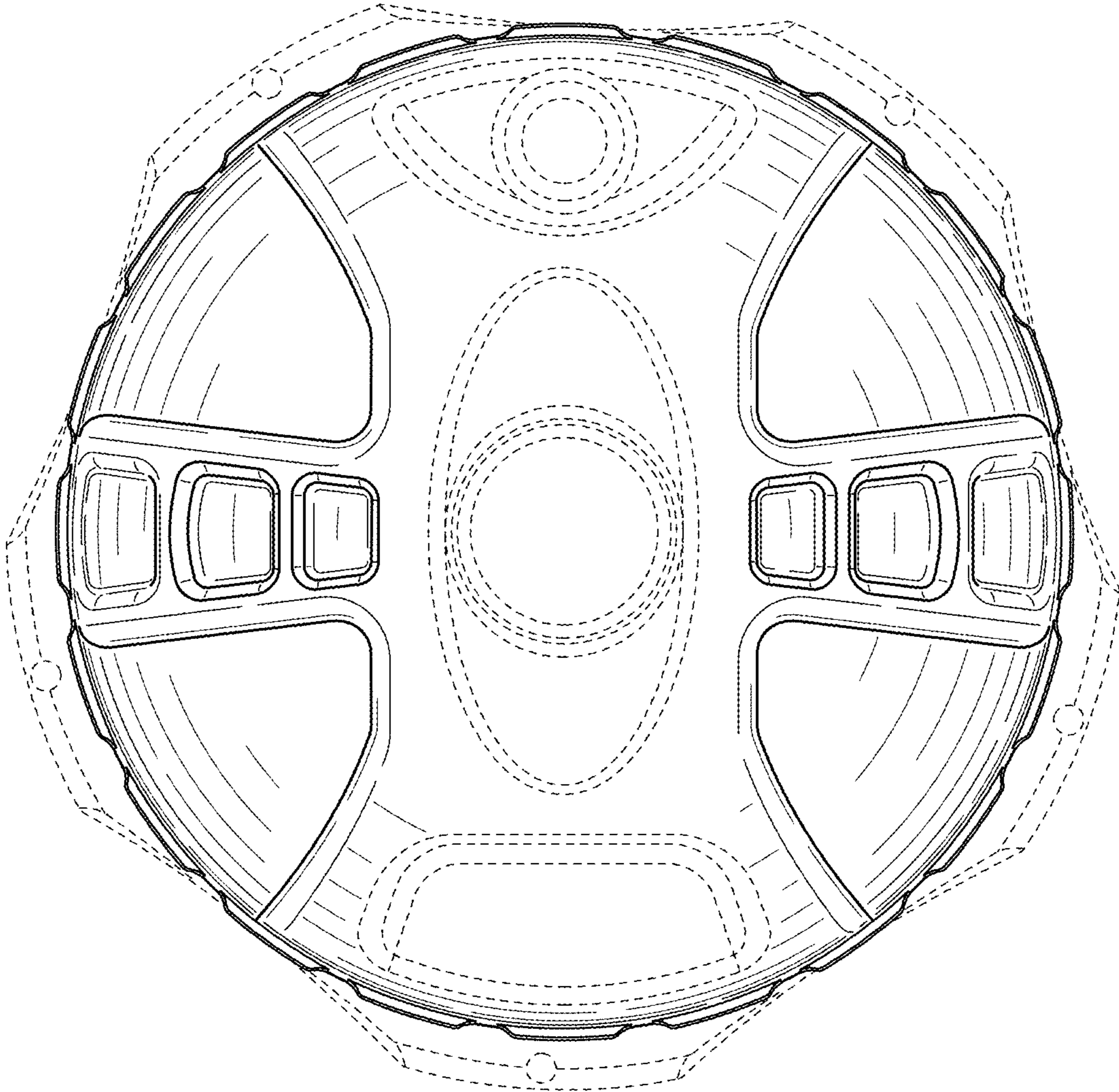


FIG. 2

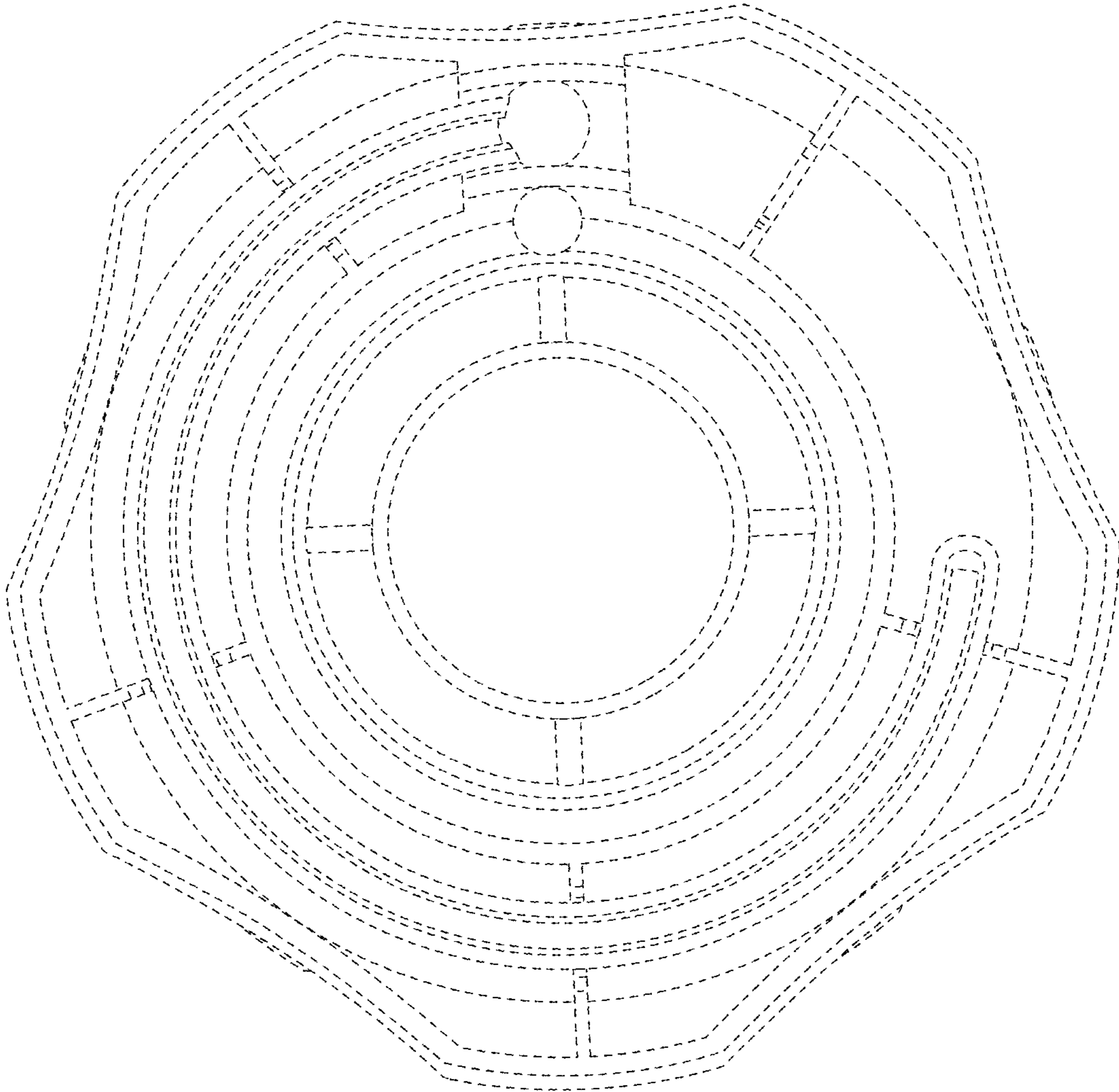


FIG. 3

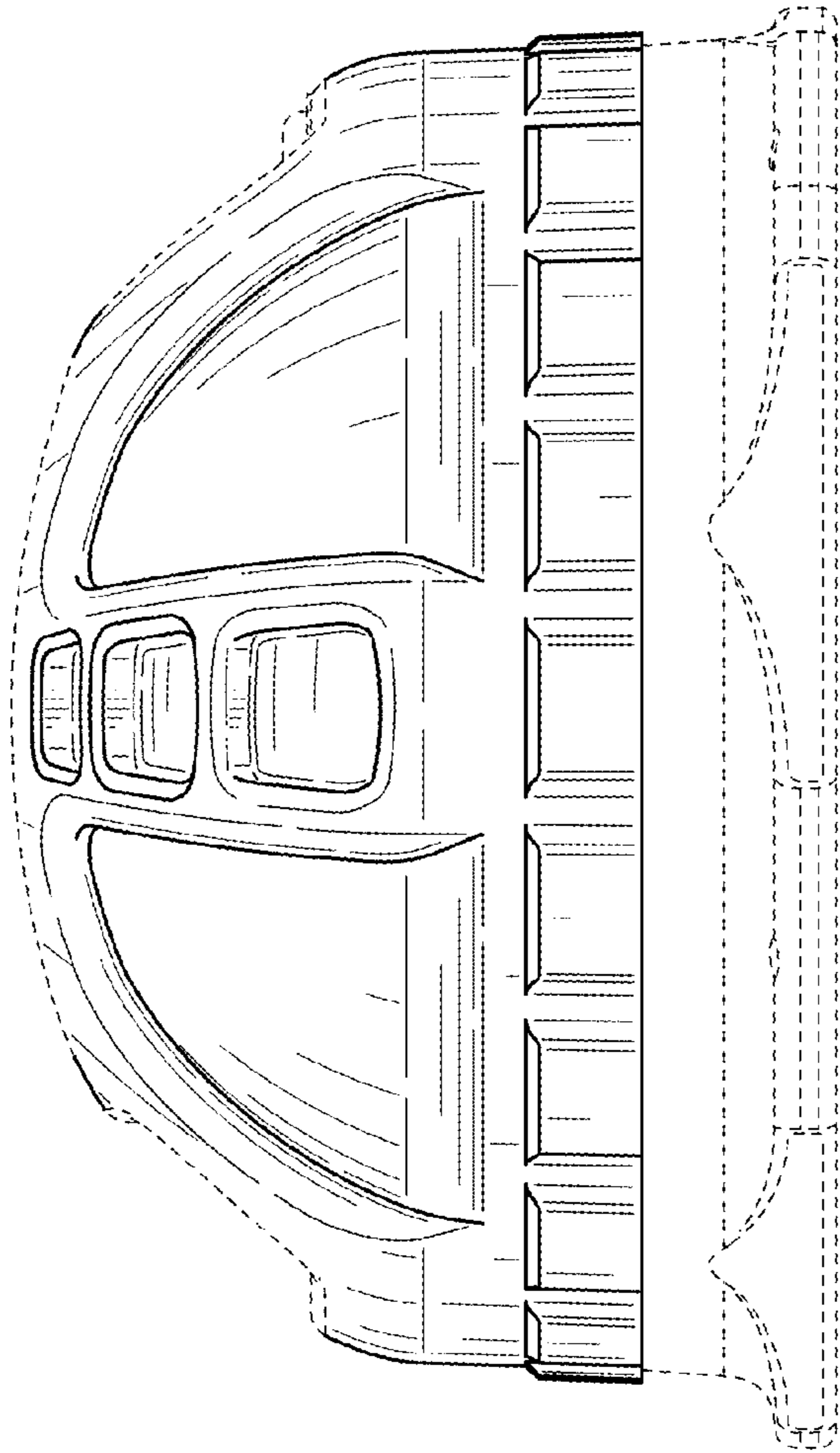


FIG. 4

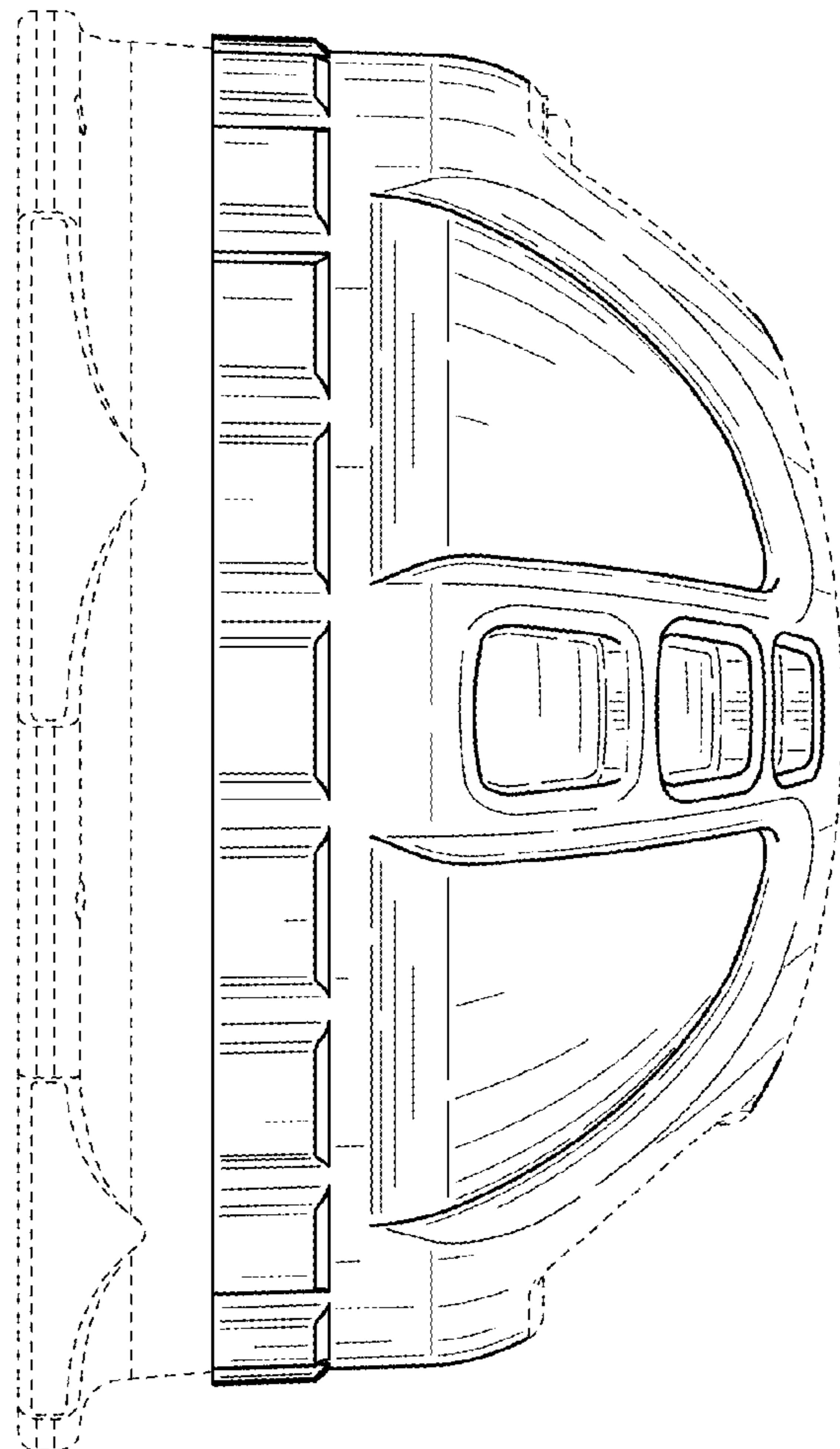


FIG. 5

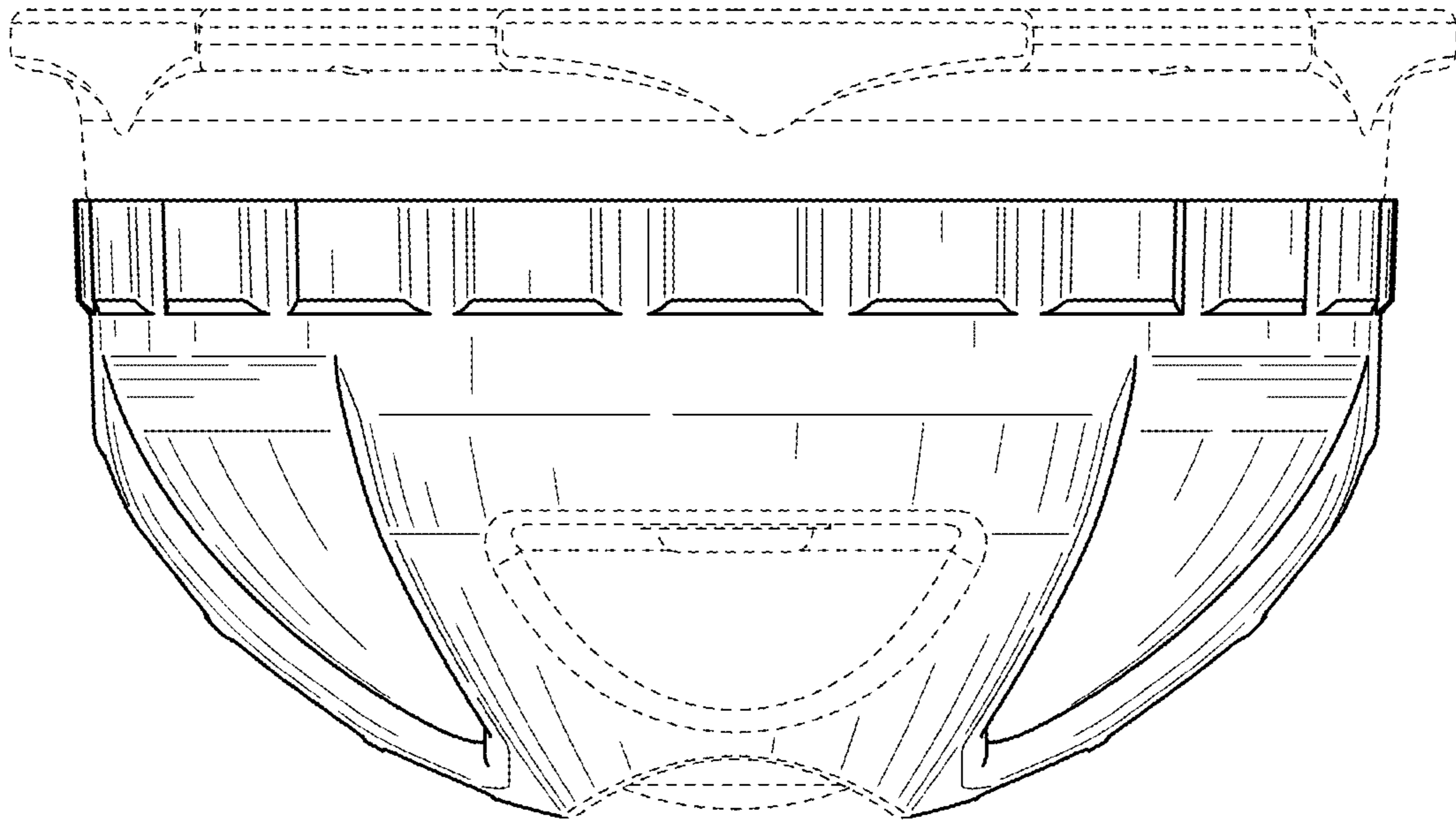


FIG. 6

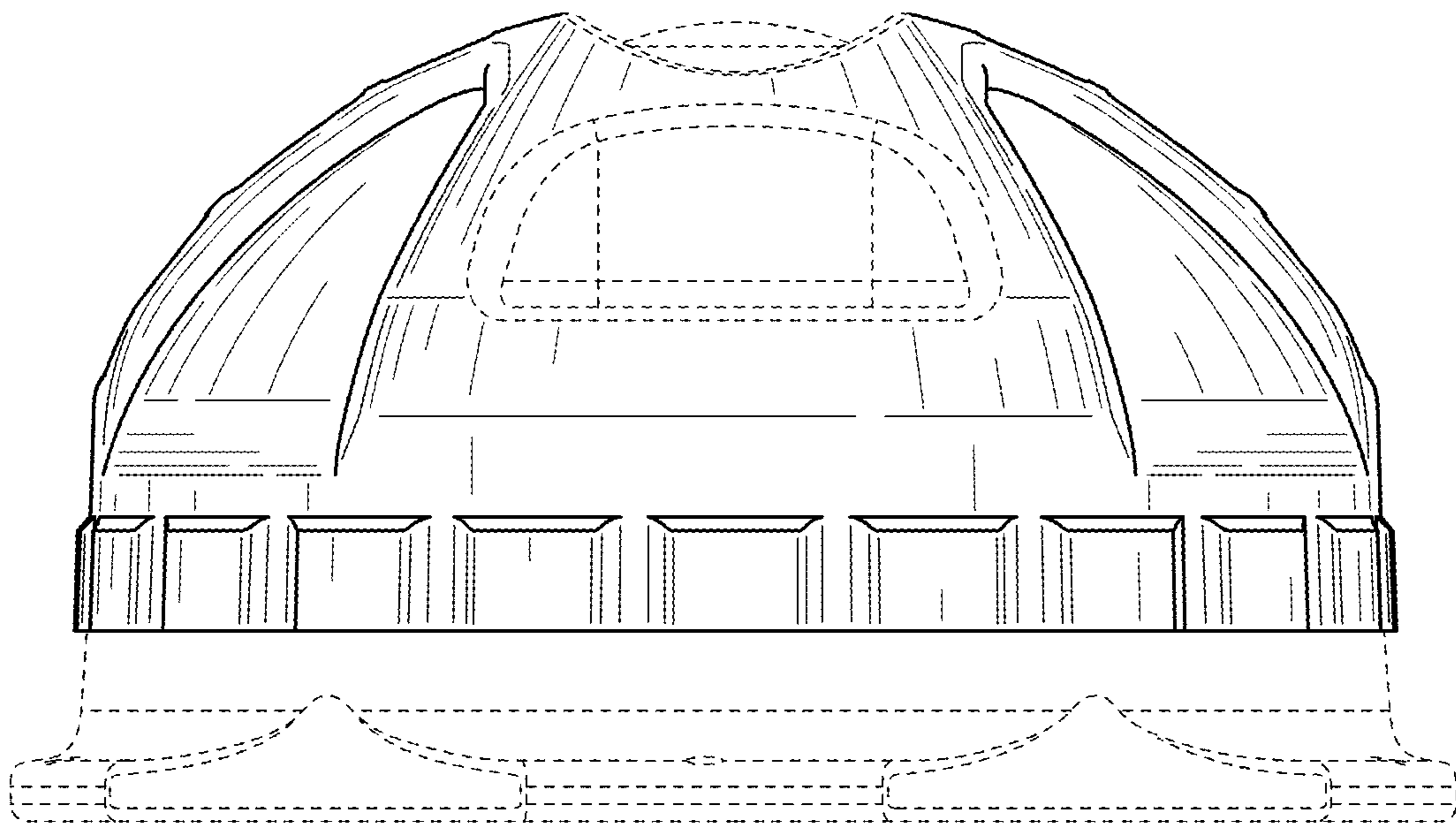


FIG. 7

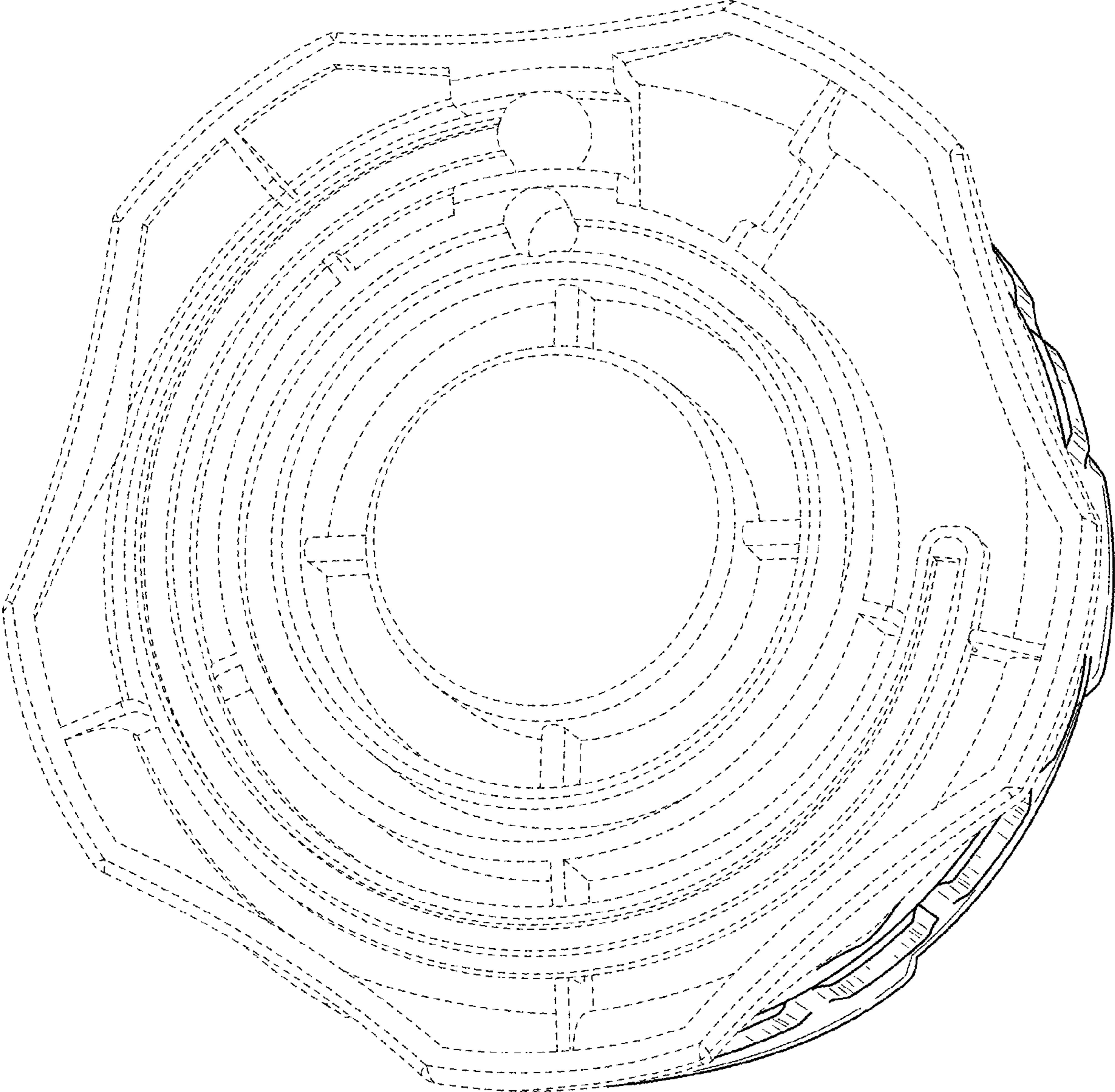


FIG. 8