



US00D936274S

(12) **United States Design Patent** (10) **Patent No.:** **US D936,274 S**  
**Chen** (45) **Date of Patent:** **\*\* Nov. 16, 2021**

(54) **3D NIGHT LIGHT**  
(71) Applicant: **Jianjun Chen**, Huanggang (CN)  
(72) Inventor: **Jianjun Chen**, Huanggang (CN)  
(\*\*) Term: **15 Years**  
(21) Appl. No.: **29/773,646**  
(22) Filed: **Mar. 10, 2021**  
(51) **LOC (13) Cl.** ..... **26-05**  
(52) **U.S. Cl.**  
USPC ..... **D26/94; D26/26**  
(58) **Field of Classification Search**  
USPC ..... D26/1, 225, 94, 51, 68, 93, 60, 37, 113,  
D26/26  
CPC .... F21S 6/00; F21S 6/002; F21S 6/004; F21S  
4/00; F21S 4/15; F21S 2/00; F21S 8/033;  
F21S 8/036; F21S 8/085; F21S 8/083;  
F21S 8/088; F21L 2003/00; F21L 4/00;  
F21L 4/005; F21L 4/02; F21L 4/025;  
F21V 21/08; F21V 33/00; F21V 14/02;  
F21V 14/025  
See application file for complete search history.

D772,444 S \* 11/2016 Walker ..... D26/26  
D793,588 S \* 8/2017 Walker ..... D26/26  
D835,307 S \* 12/2018 Thompson ..... D26/26  
D876,677 S \* 2/2020 Chen ..... D26/26  
D899,638 S \* 10/2020 Li ..... D26/26  
D909,646 S \* 2/2021 Saboo ..... D26/60  
D918,456 S \* 5/2021 Hillyard ..... D26/85  
D925,785 S \* 7/2021 Baldwin ..... D26/26

\* cited by examiner

*Primary Examiner* — Mark A Goodwin  
*Assistant Examiner* — Benjamin M Weeks  
(74) *Attorney, Agent, or Firm* — W&K IP

(57) **CLAIM**

The ornamental design for a 3D night light, as shown and described.

**DESCRIPTION**

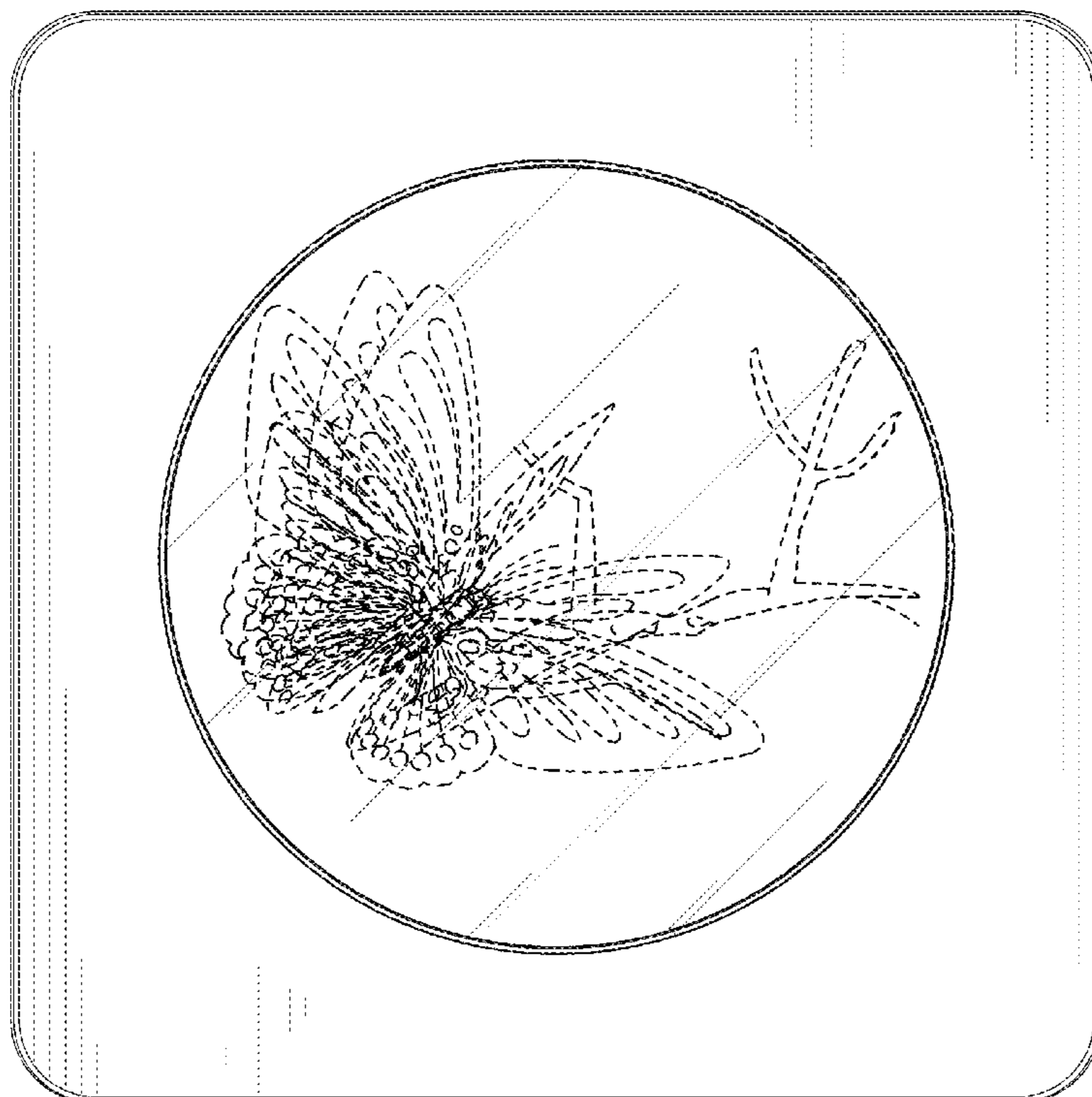
FIG. 1 is a front view of a 3D night light showing my new design;  
FIG. 2 is a back view thereof;  
FIG. 3 is a left side view thereof;  
FIG. 4 is a right side view thereof;  
FIG. 5 is a top plan view thereof;  
FIG. 6 is a bottom plan view thereof; and  
FIG. 7 is a perspective view thereof.  
FIG. 8 is a perspective view of first use state thereof;  
FIG. 9 is a perspective view of second use state thereof;  
FIG. 10 is a perspective view of third use state thereof; and,  
FIG. 11 is a perspective view of fourth use state thereof.  
The broken lines where present illustrate portions of the 3D night light that form no part of the claimed design.

(56) **References Cited**

**U.S. PATENT DOCUMENTS**

D404,508 S \* 1/1999 Marischen ..... D26/26  
D460,573 S \* 7/2002 Gee, II  
D466,237 S \* 11/2002 Yu ..... D26/26  
D612,522 S \* 3/2010 Howard ..... D26/26  
D646,006 S \* 9/2011 Stolte ..... D26/26  
D772,443 S \* 11/2016 Walker ..... D26/26

**1 Claim, 9 Drawing Sheets**



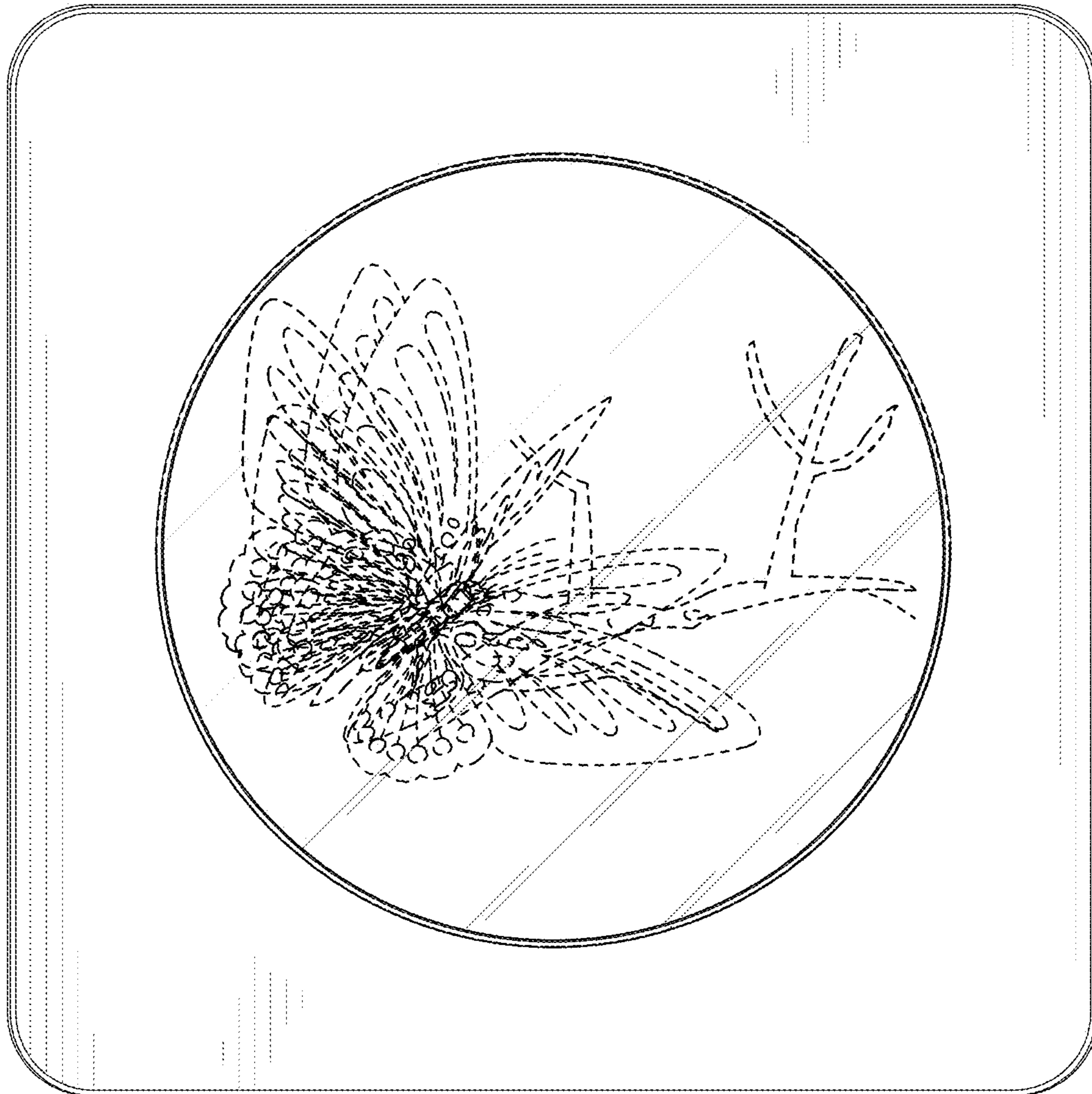


FIG.1

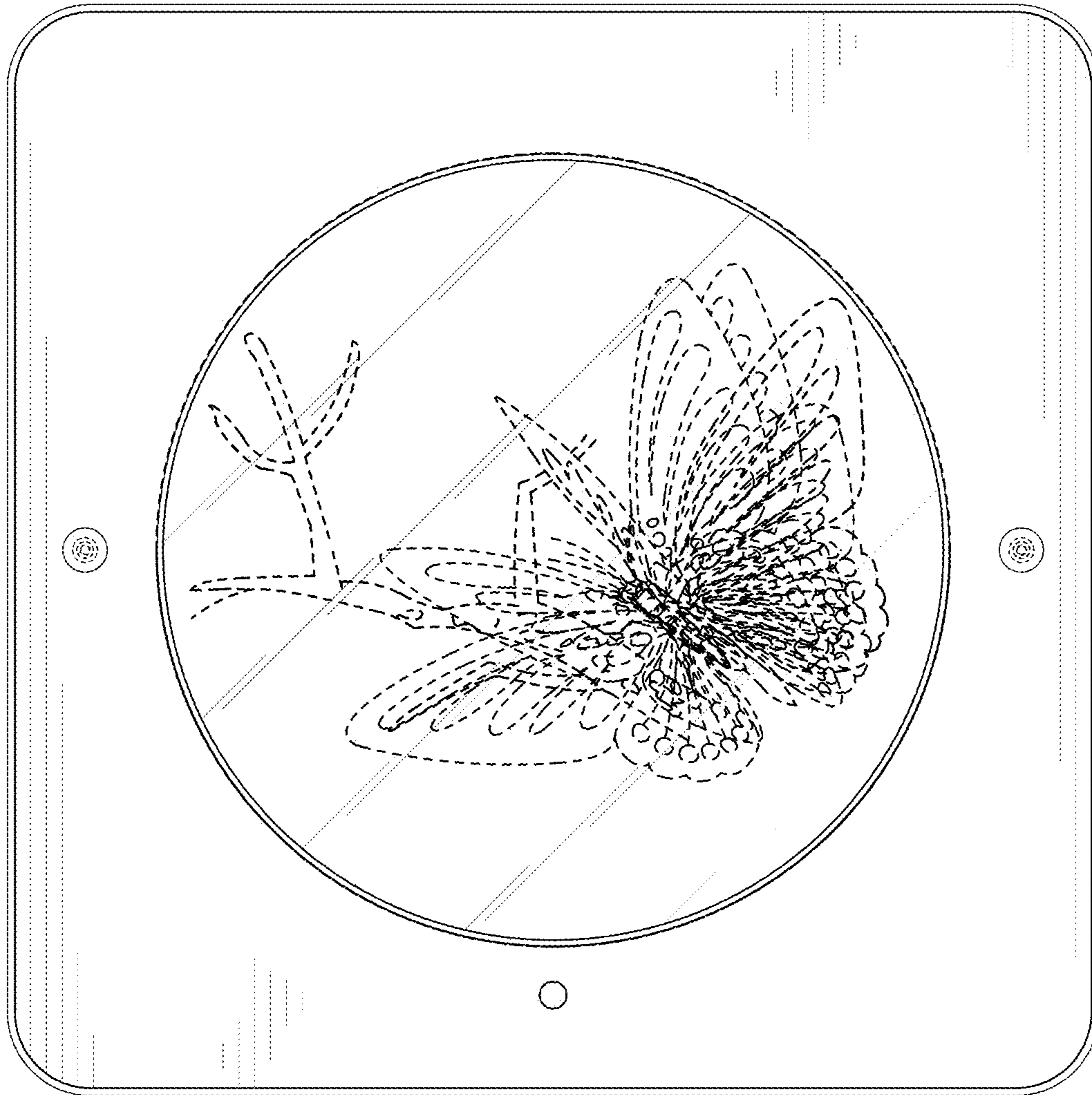


FIG.2

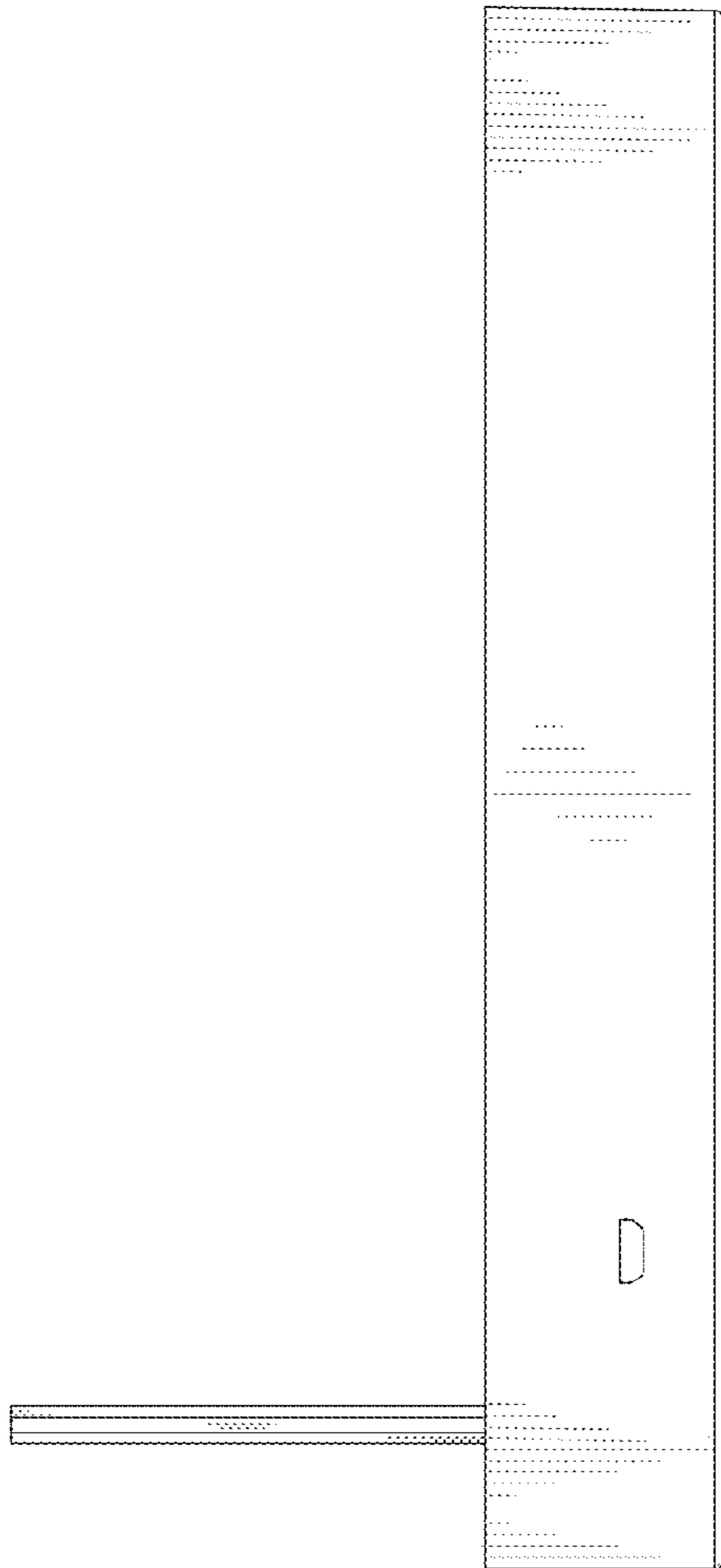


FIG.3

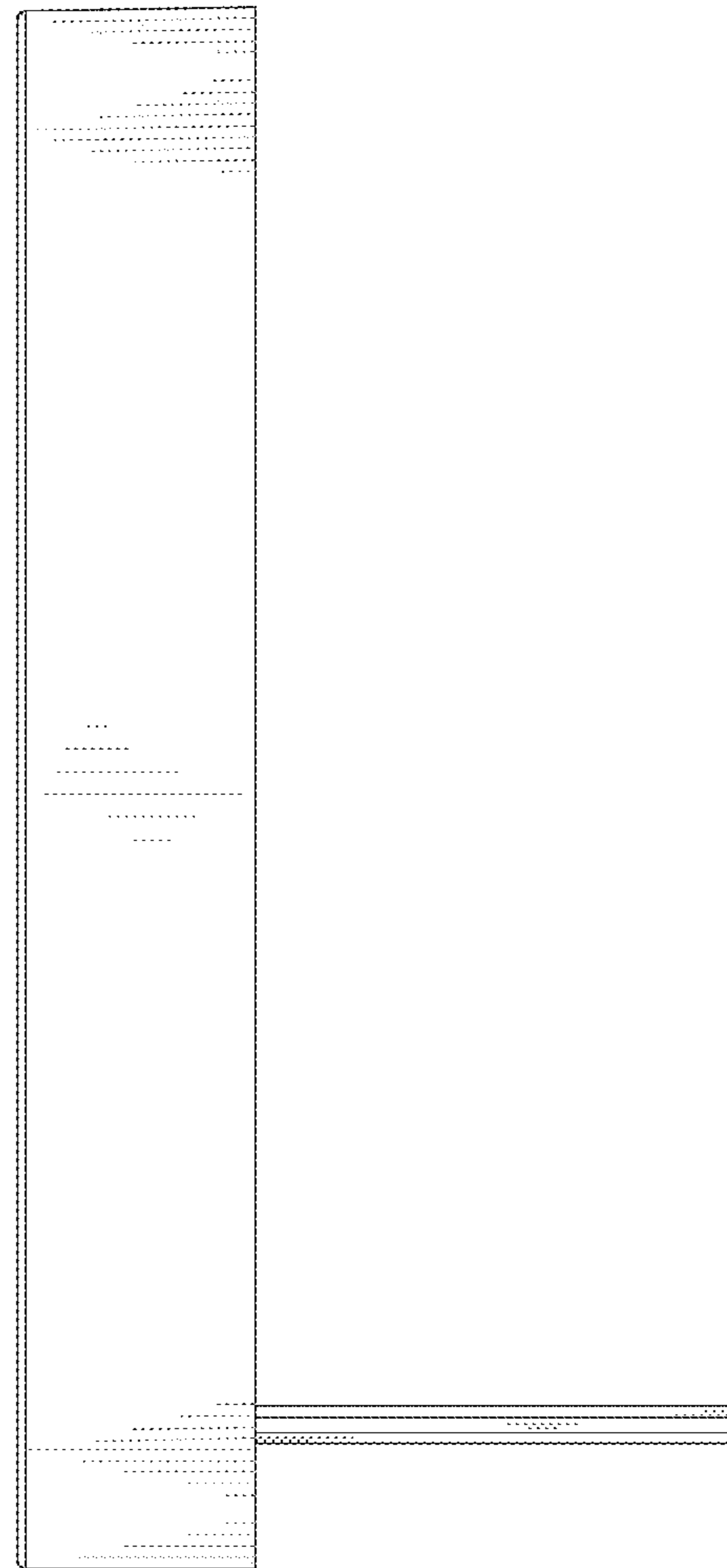


FIG.4

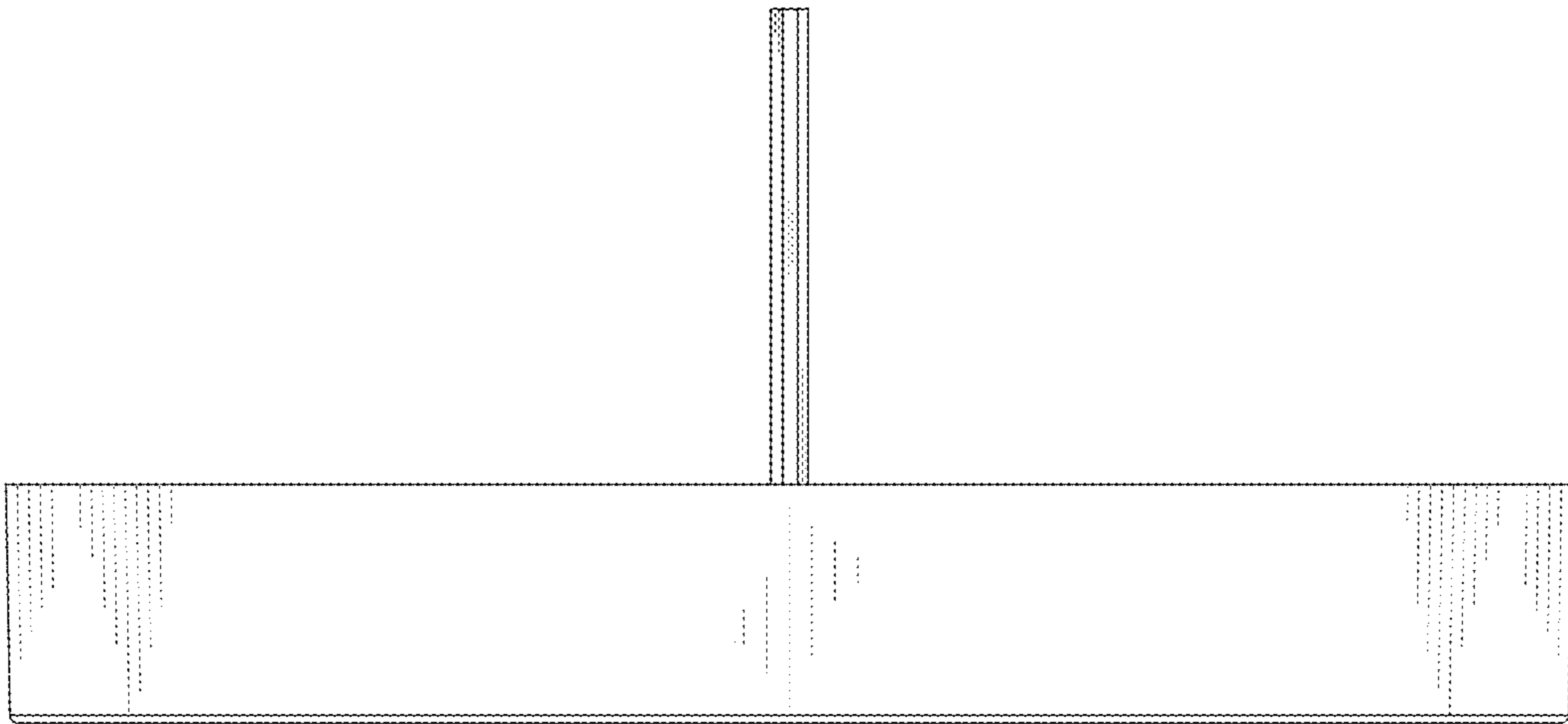


FIG. 5

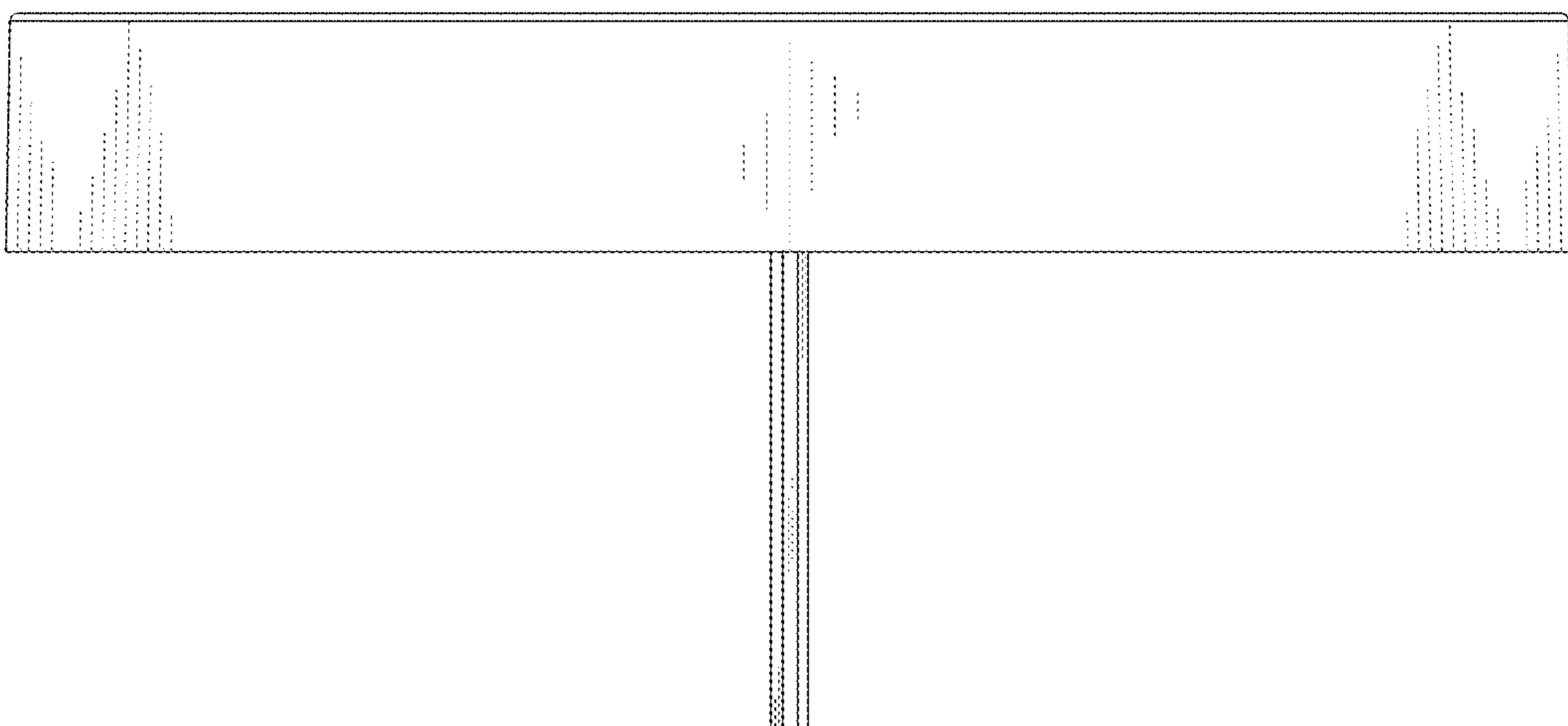


FIG. 6

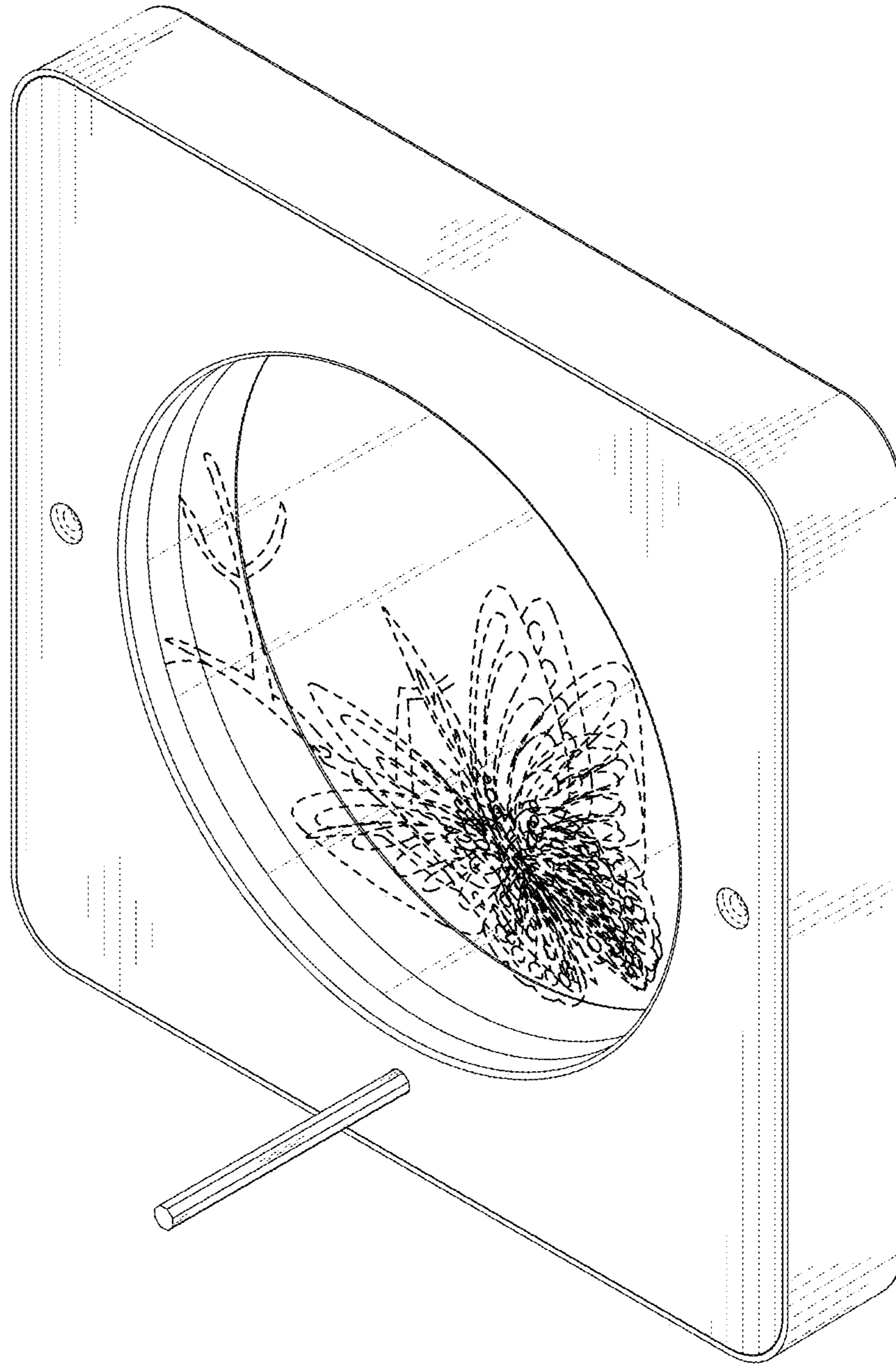


FIG. 7

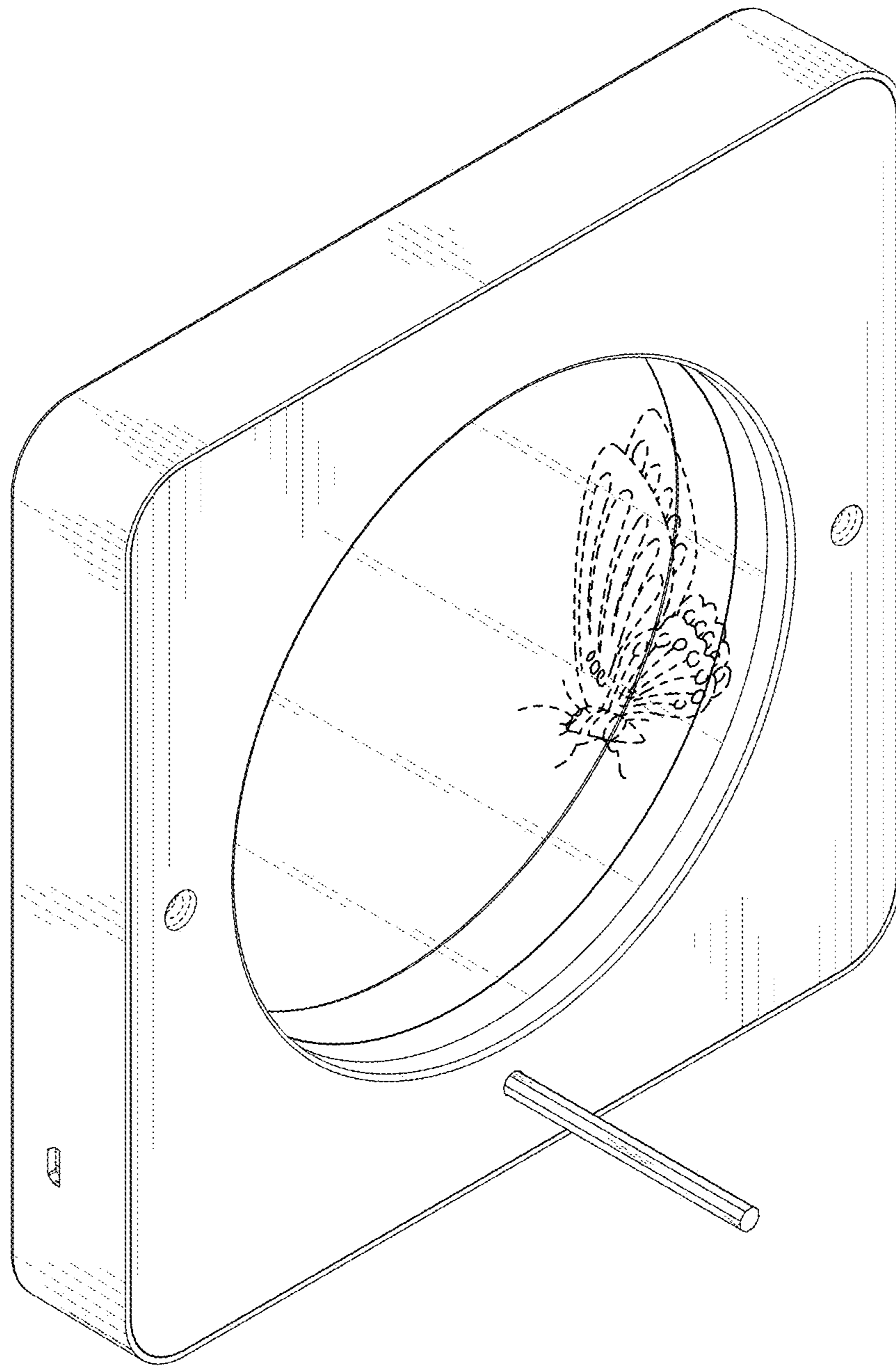


FIG.8

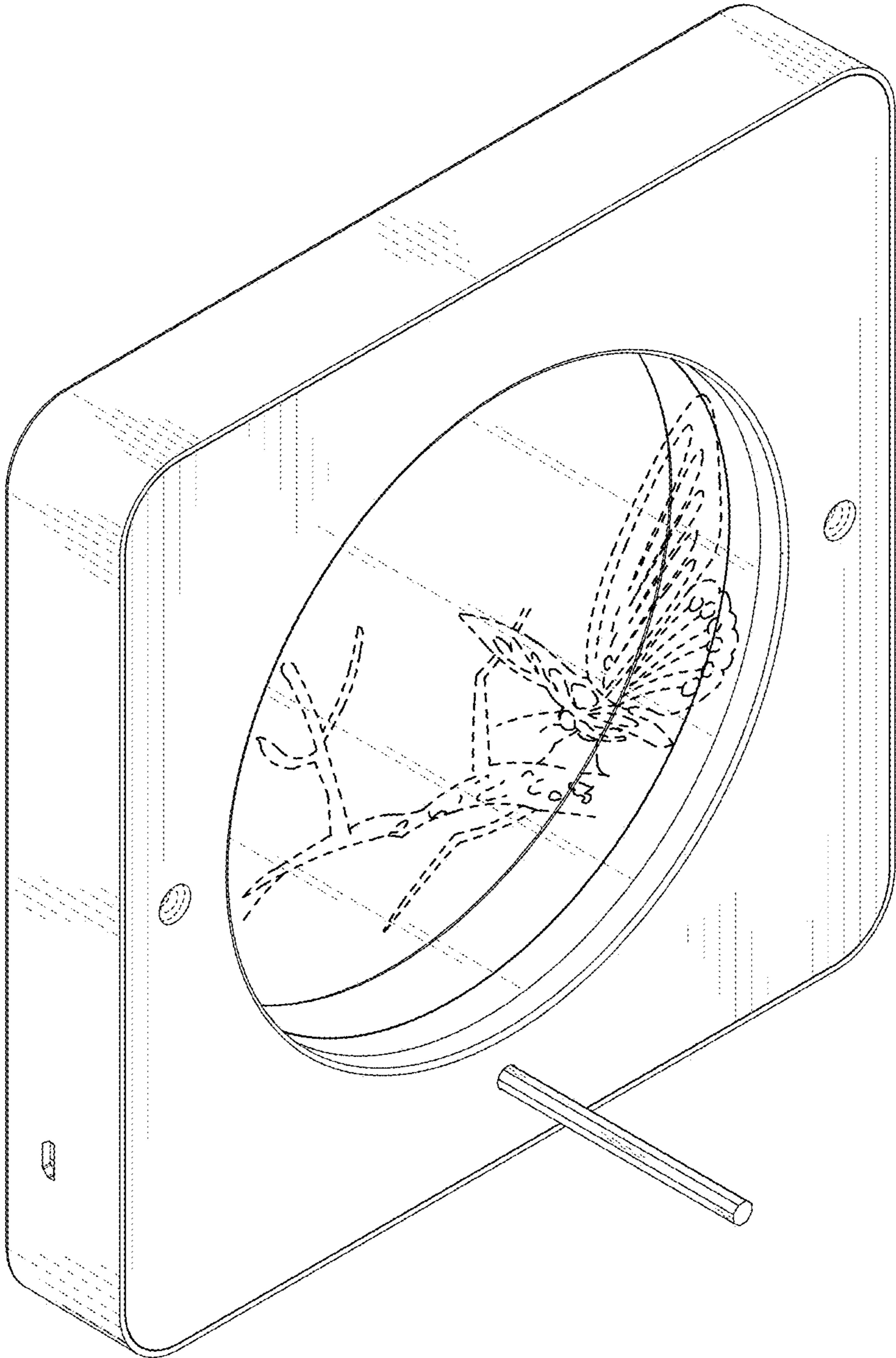


FIG.9



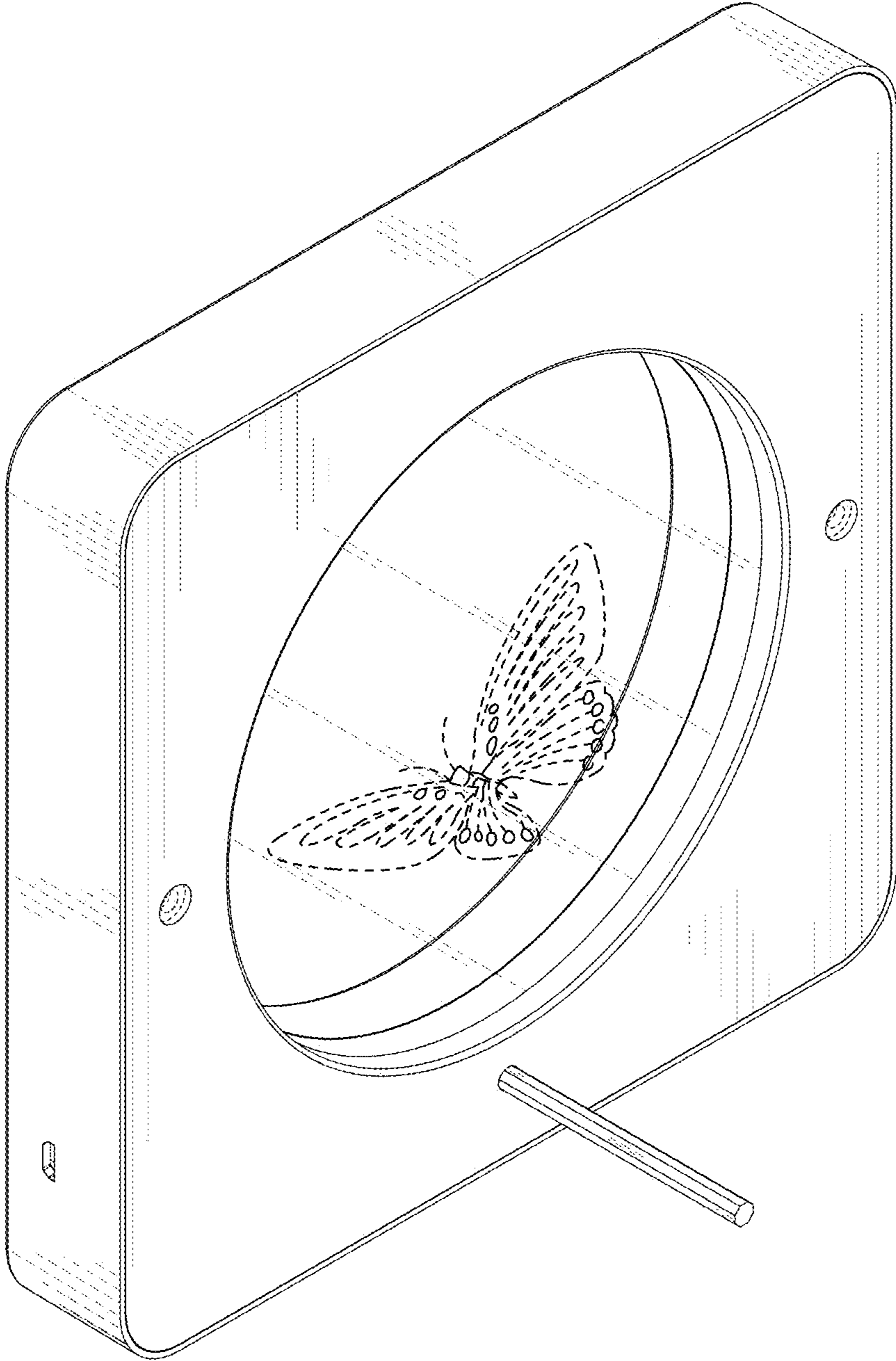


FIG.10

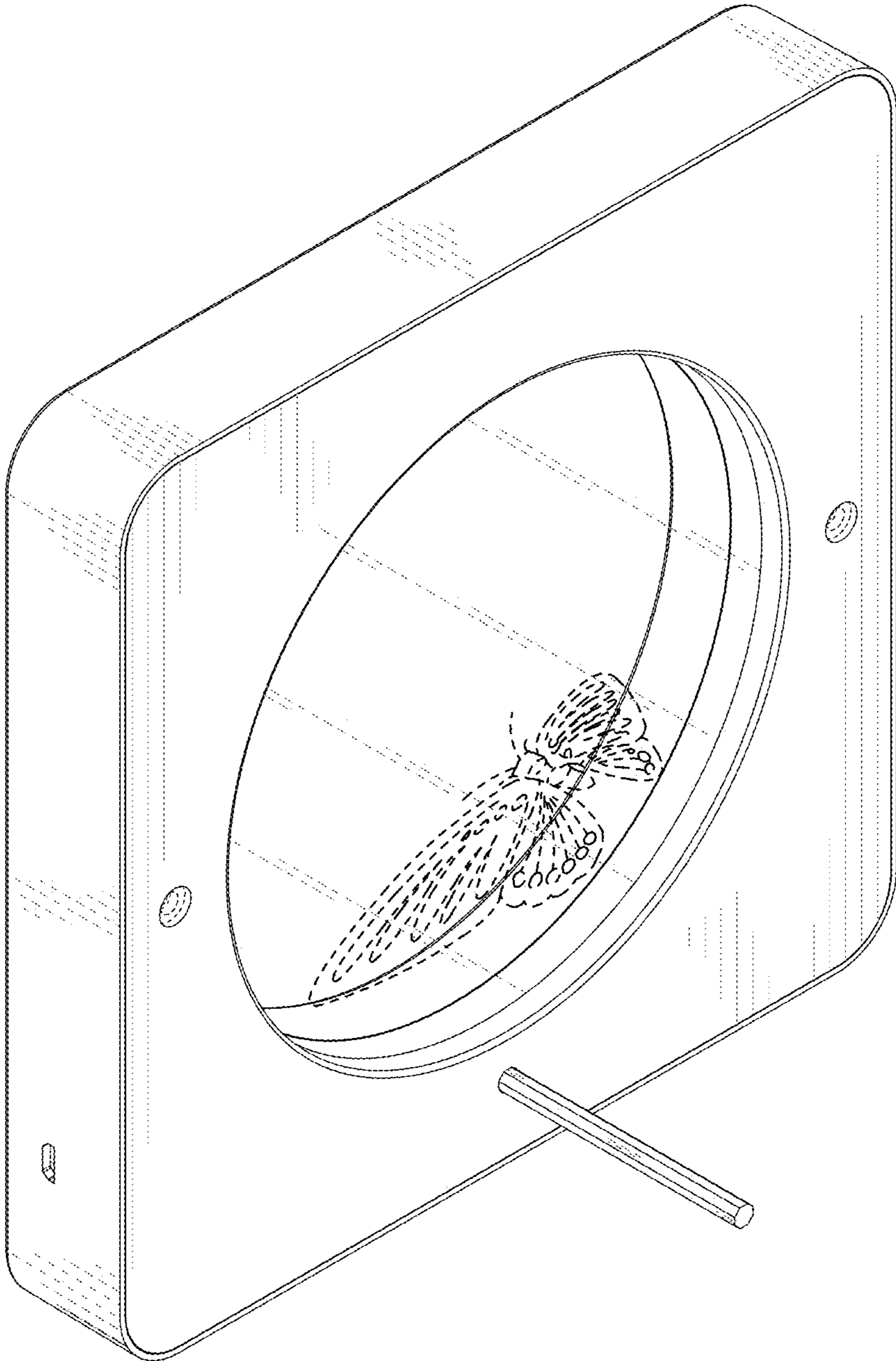


FIG.11