



US00D936272S

(12) **United States Design Patent** (10) **Patent No.:** **US D936,272 S**
Johnson (45) **Date of Patent:** **** Nov. 16, 2021**

(54) **COLOR CHANGING CIRCULAR LIGHT**

(71) Applicant: **London Johnson, Inc.**, Dallas, TX (US)

(72) Inventor: **Brian P. Johnson**, Dallas, TX (US)

(**) Term: **15 Years**

(21) Appl. No.: **29/756,167**

(22) Filed: **Oct. 26, 2020**

Related U.S. Application Data

(62) Division of application No. 29/667,934, filed on Oct. 25, 2018, now Pat. No. Des. 903,927.

(51) **LOC (13) Cl.** **26-03**

(52) **U.S. Cl.**
USPC **D26/89**

(58) **Field of Classification Search**
USPC D26/72, 76, 80, 85, 89
CPC F21S 8/03; F21S 8/033; F21S 8/036; F21S 8/037; F21S 9/022; F21S 9/024; F21S 9/03; F21S 9/035; F21S 9/037; F21S 10/02; F21W 2131/107; G08B 13/193; F21V 23/023

See application file for complete search history.

(56) **References Cited**

U.S. PATENT DOCUMENTS

D381,450 S	7/1997	Sonneman
D482,485 S	11/2003	Benghozi
D561,925 S	2/2008	Levine
D567,987 S	4/2008	Khubani
D603,997 S	11/2009	Shiu
D607,600 S	1/2010	Keith
D828,606 S	9/2018	Johnson
D831,268 S	10/2018	Johnson
D841,222 S	2/2019	Johnson

D891,675 S *	7/2020	Liu	D26/85
D903,927 S *	12/2020	Johnson	D26/89
D904,667 S *	12/2020	Johnson	D26/89
2009/0034261 A1	2/2009	Grove		
2011/0128723 A1	6/2011	Coleman et al.		
2018/0156428 A1	6/2018	Ratley		
2019/0239308 A1	8/2019	Lee et al.		
2020/0091746 A1	3/2020	Chien		

OTHER PUBLICATIONS

HELPLEX Puck Lights, 16 Colors Changeable LED Puck lightings, ASIN: B08CRJ9NFM, available at amazon.com Jul. 10, 2020. (Year: 2020).*
SIXDEFly Wireless 16 Color Changing LED Puck Light 12 Pack, ASIN: B07Y68HZ3X, available at amazon.com Nov. 3, 2019. (Year: 2019).*

(Continued)

Primary Examiner — Clare E Heflin
(74) *Attorney, Agent, or Firm* — Wolf, Greenfield & Sacks, P.C.

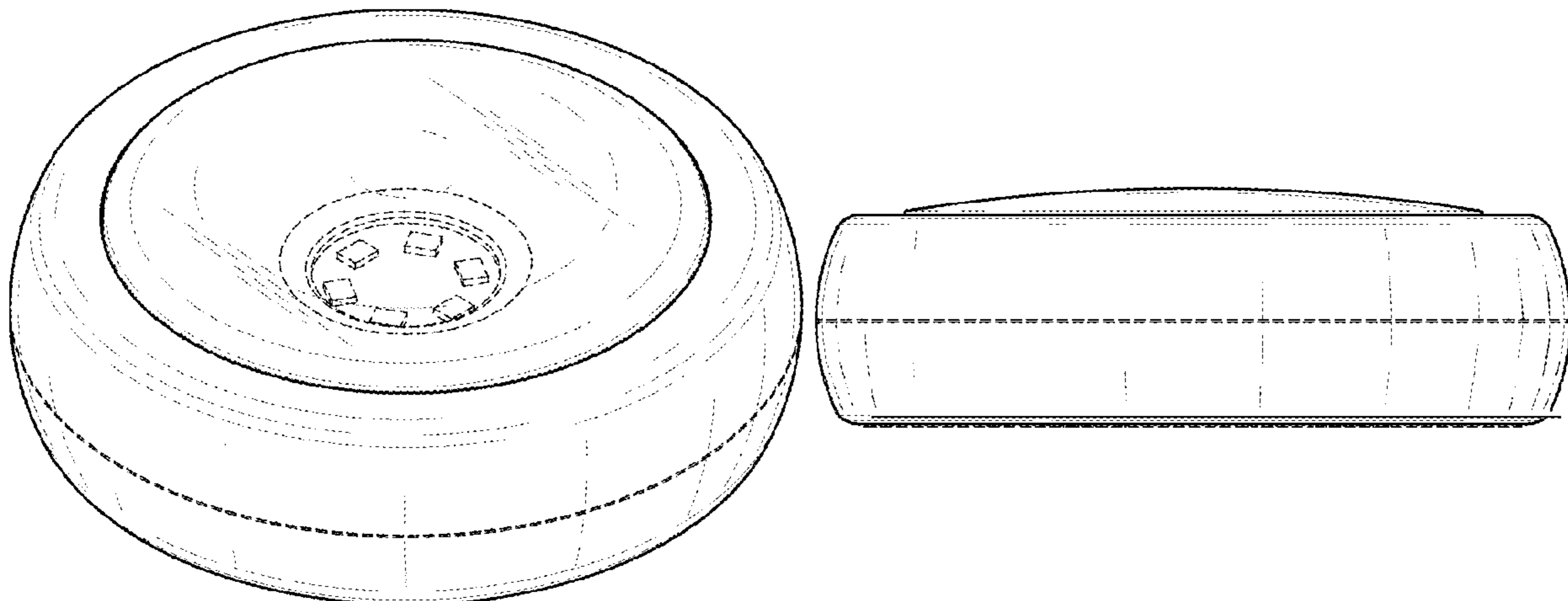
(57) **CLAIM**

The ornamental design for a color changing circular light, as shown and described.

DESCRIPTION

FIG. 1 is a perspective view of a color changing circular light, showing my design, as viewed from the top and front. FIG. 2 is a top plan view thereof. FIG. 3 is a bottom plan view thereof. FIG. 4 is a front profile view thereof. FIG. 5 is a back profile view thereof. FIG. 6 is a first side profile view thereof; and, FIG. 7 is a second side profile view thereof. The details shown in broken lines illustrate features that form no part of the claimed design.

1 Claim, 2 Drawing Sheets



(56)

References Cited

OTHER PUBLICATIONS

IPOW LED Battery-Powered Wireless Night Light Stick Tap Touch Lamp Stick-on Push Light, available at amazon.com May 16, 2014.
Dream Master 5 Pack LED Batter-powered Wireless Night Light, available at amazon.com Apr. 18, 2018.
UOTOO Bright Tap Light, available at amazon.com Aug. 25, 2017.

* cited by examiner

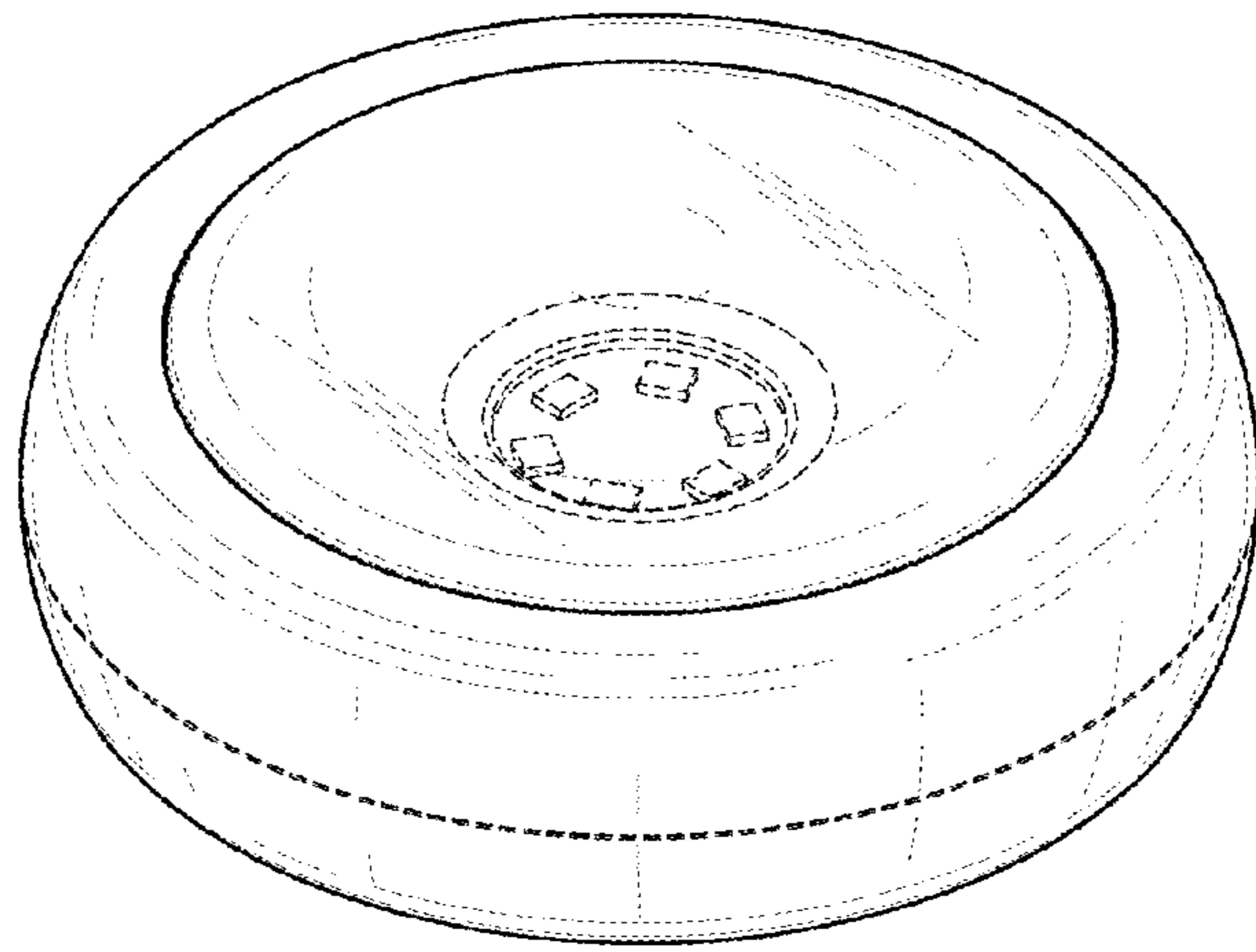


Fig. 1

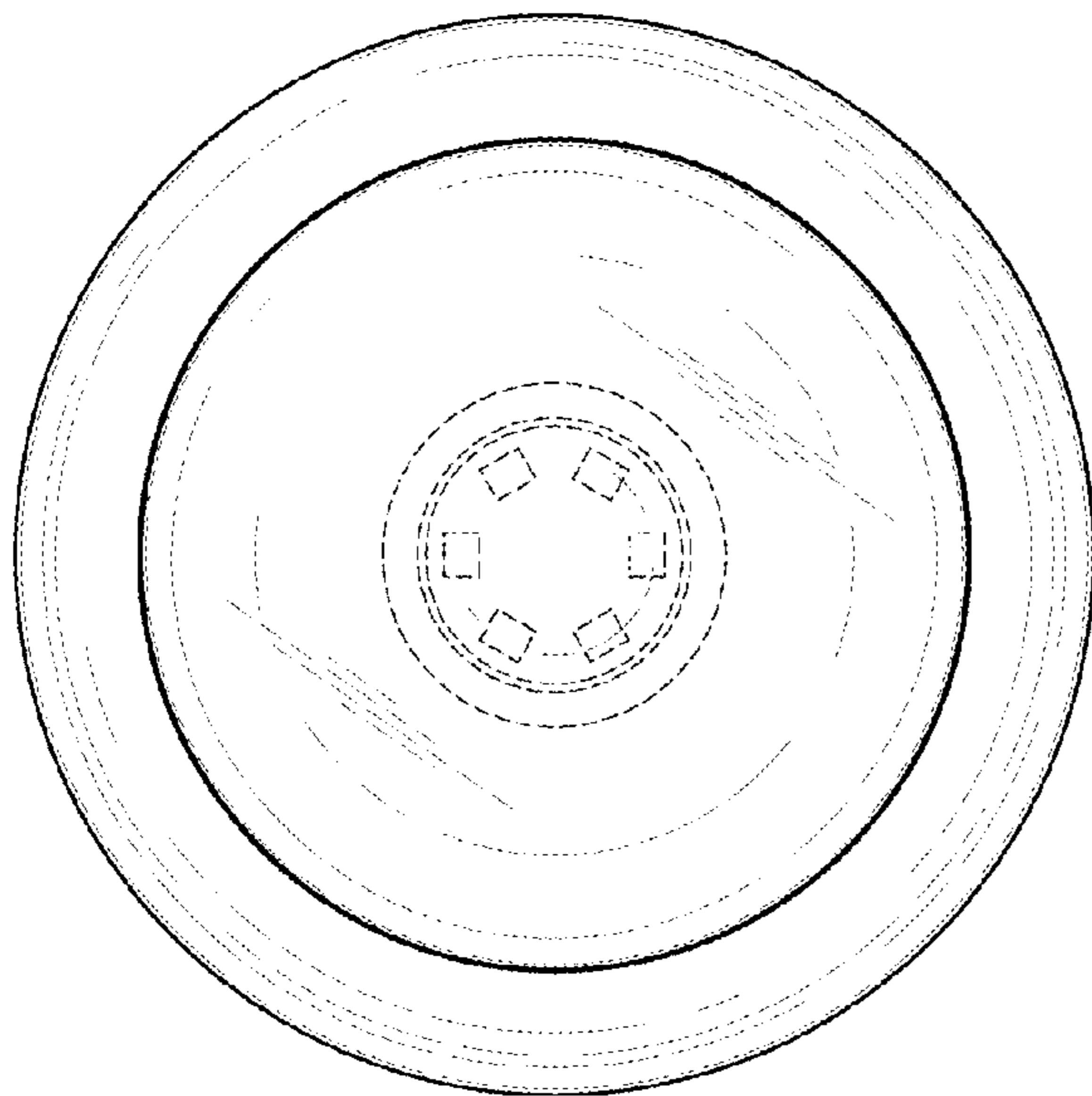


Fig. 2

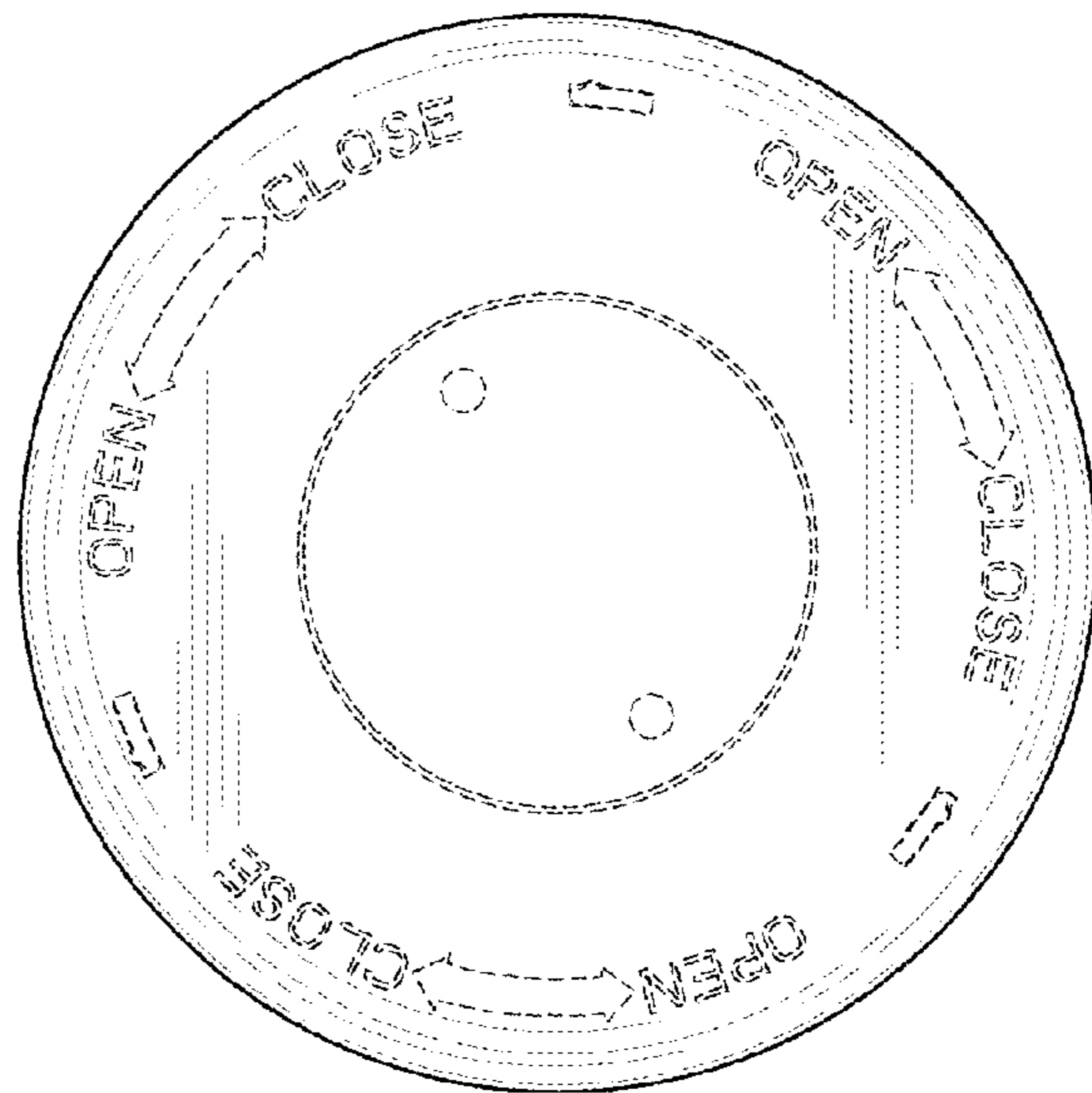


Fig. 3

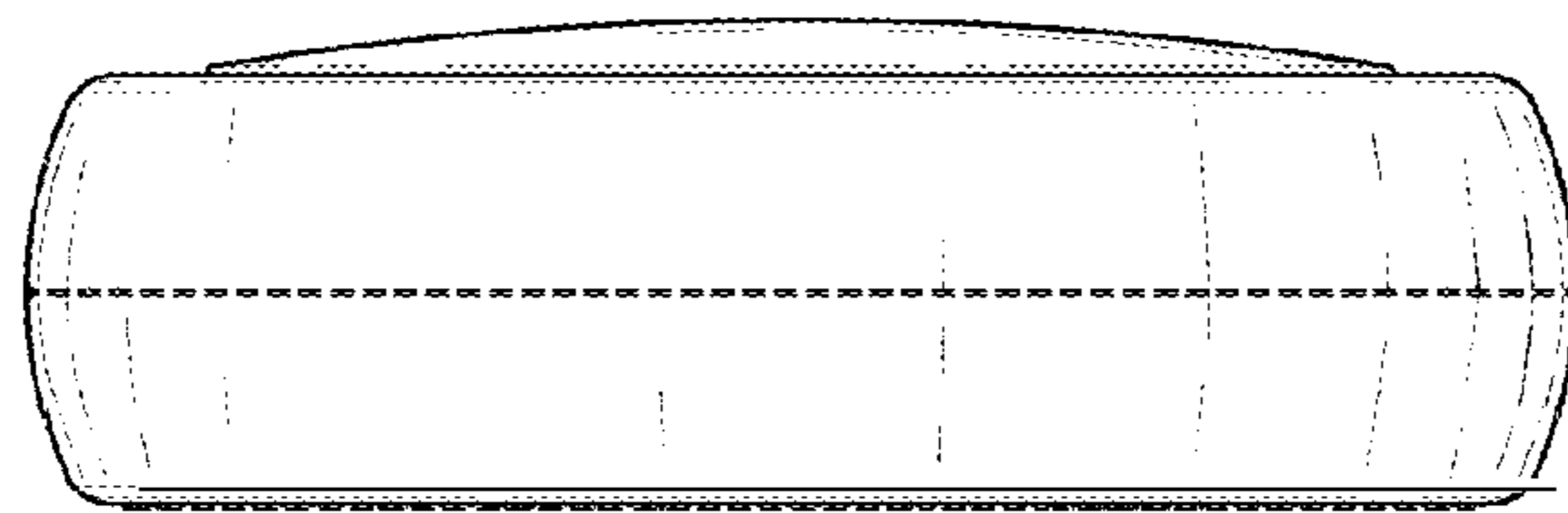


Fig. 4

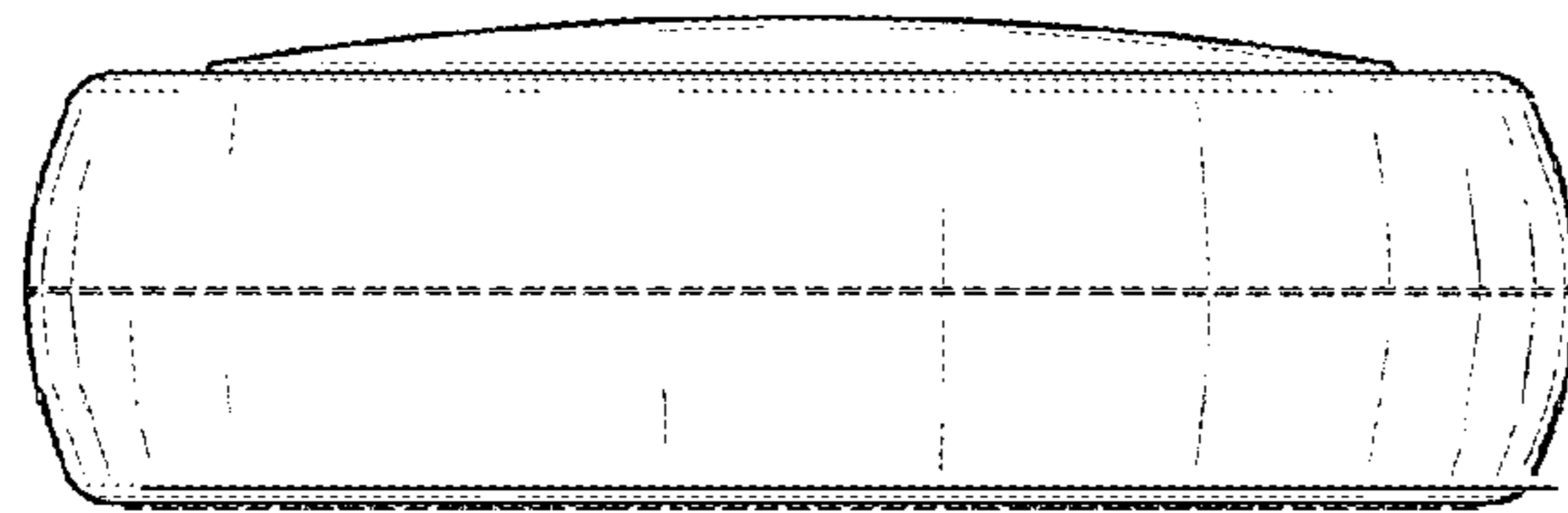


Fig. 5

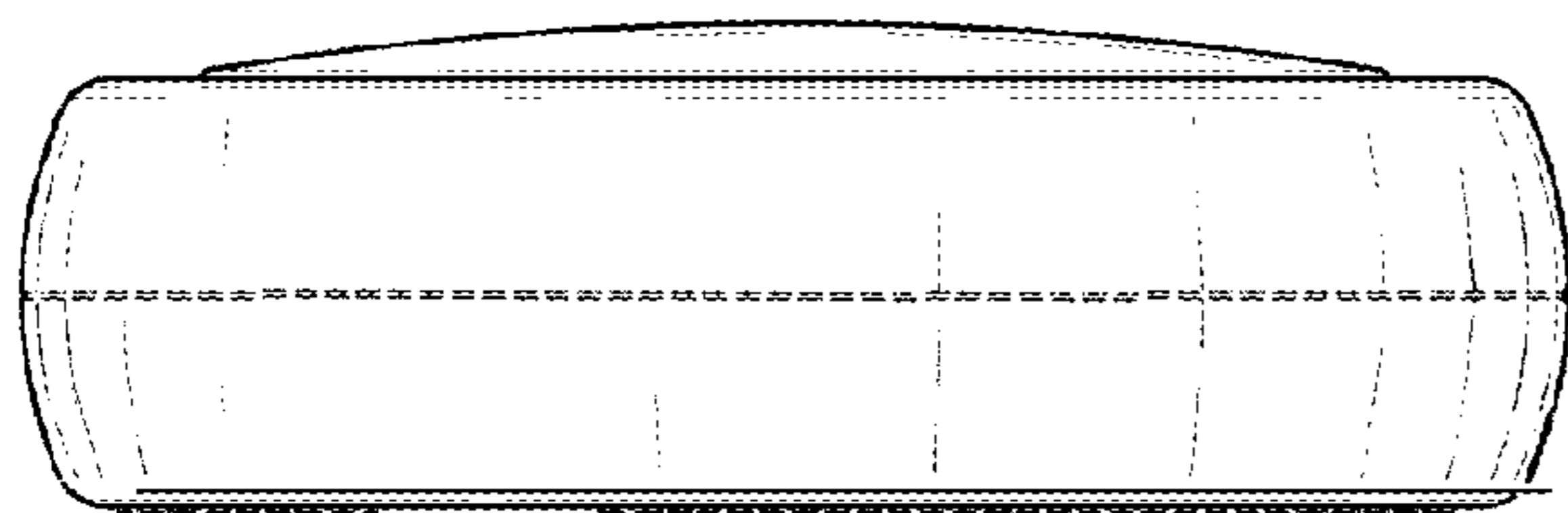


Fig. 6

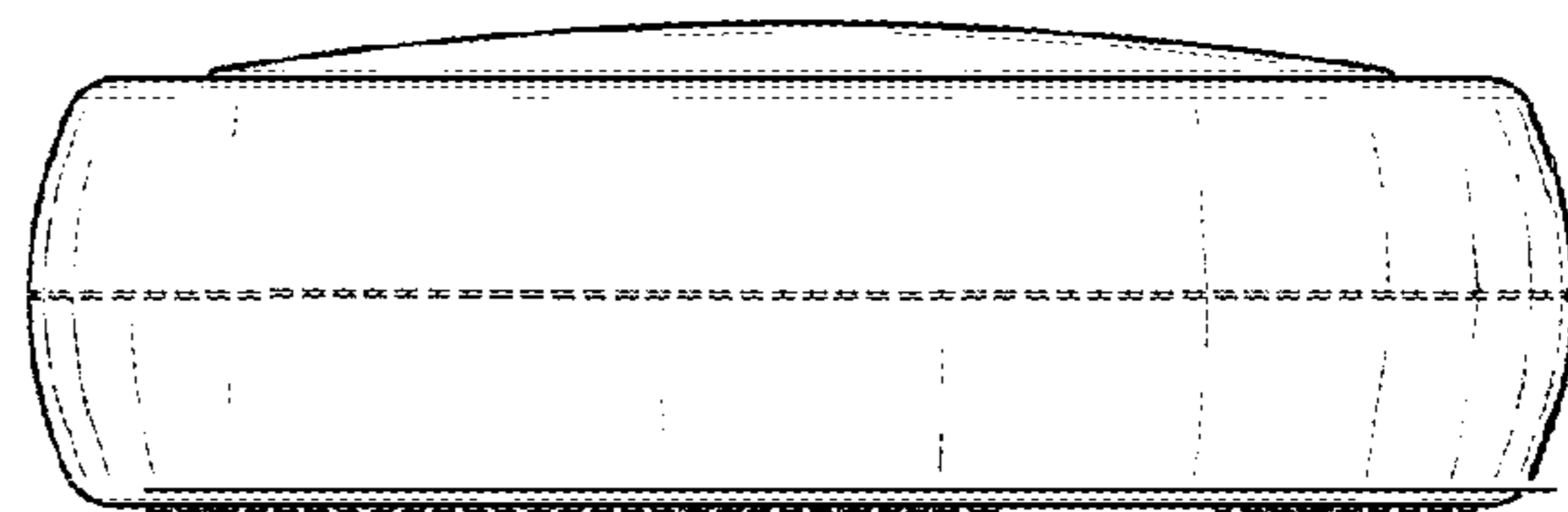


Fig. 7