

US00D936271S

(12) **United States Design Patent** (10) **Patent No.:** **US D936,271 S**
Pardo (45) **Date of Patent:** **** Nov. 16, 2021**

(54) **HANGING LIGHT FIXTURE**
(71) Applicant: **Pablo, Inc.**, San Francisco, CA (US)
(72) Inventor: **Pablo Pardo**, San Francisco, CA (US)
(73) Assignee: **Pablo, Inc.**, San Francisco, CA (US)
(**) Term: **15 Years**

(21) Appl. No.: **29/728,693**
(22) Filed: **Mar. 20, 2020**
(51) **LOC (13) Cl.** **26-03**
(52) **U.S. Cl.**
USPC **D26/86; D26/88**
(58) **Field of Classification Search**
USPC ... D26/72, 84, 85, 86, 88, 90, 118, 128, 154
CPC F21S 8/03; F21S 8/04; F21S 8/043; F21S
8/046; F21S 8/06; F21S 8/062; F21S
8/063; F21S 8/065; F21S 9/035; F21S
9/037
See application file for complete search history.

(56) **References Cited**
U.S. PATENT DOCUMENTS
2,897,337 A * 7/1959 Schiff F24C 7/065
392/430
D442,314 S * 5/2001 Schaefer D26/85
D442,315 S * 5/2001 Schaefer D26/85
D669,621 S * 10/2012 Sabernig D26/84
D755,433 S * 5/2016 Sonneman D26/84
D805,676 S * 12/2017 Piano D26/88
D809,180 S * 1/2018 Oh D26/86
D869,735 S * 12/2019 Babutzka D26/88
D889,021 S * 6/2020 De Silva D26/88
D892,384 S * 8/2020 Keim D26/88
D911,585 S * 2/2021 Anastasiades D26/88

D926,350 S * 7/2021 Gismondi D26/88
2012/0257388 A1 * 10/2012 Bracher F21V 23/001
362/249.01
2015/0277030 A1 * 10/2015 Huang F21S 8/061
362/611
2017/0311386 A1 * 10/2017 Murphy F24D 3/165
2018/0038563 A1 * 2/2018 Li F21V 15/01

OTHER PUBLICATIONS

Skydome Metal Pendant by Pablo. Spec Sheet retrieved from internet Sep. 7, 2021. (Year: 2021).*
Dining Room Chandelier—Living Room Pendant Lighting from the Dilarastore at etsy.com, visited Sep. 7, 2021. (Year: 2021).*

* cited by examiner

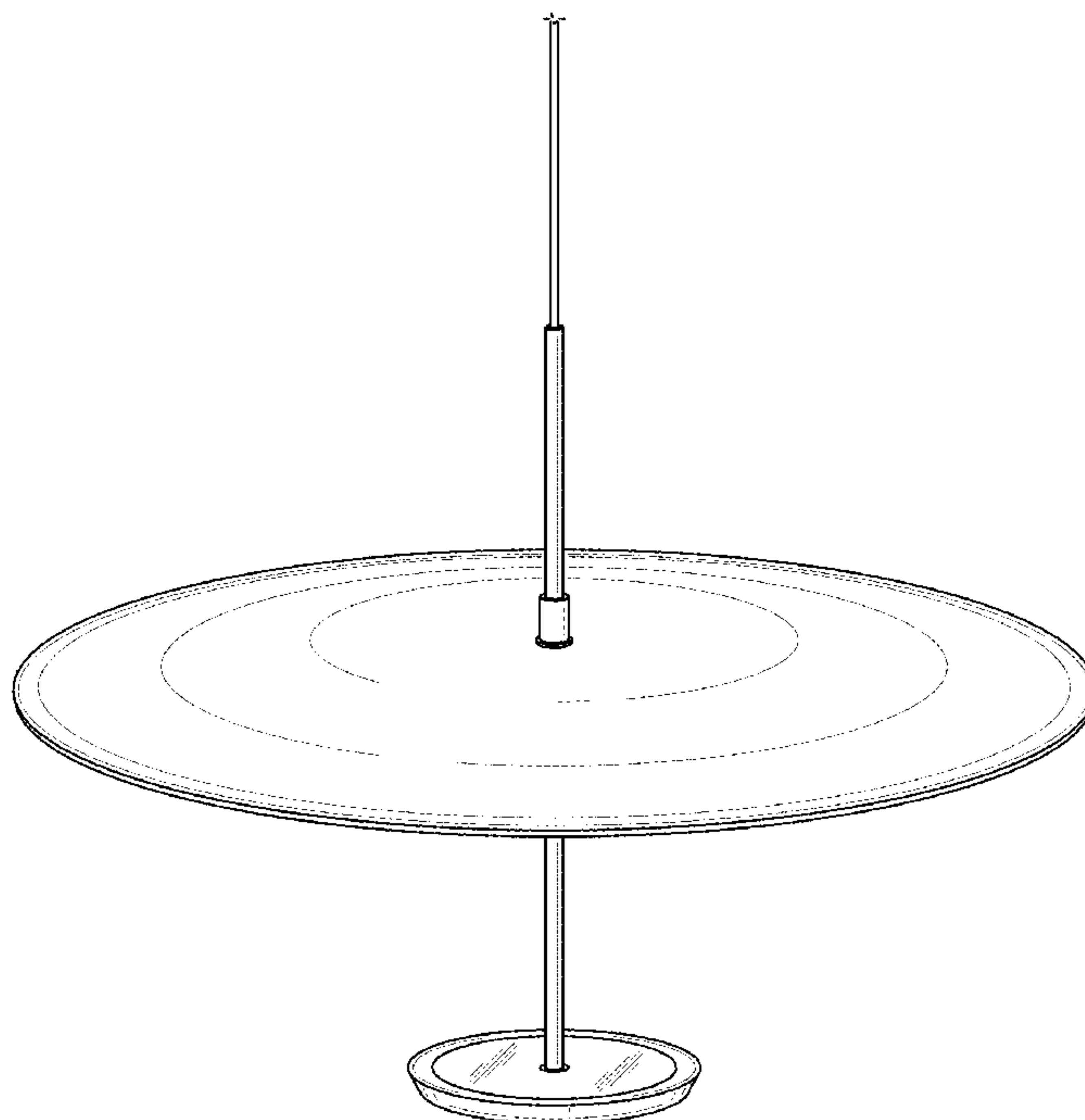
Primary Examiner — Clare E Heflin
(74) *Attorney, Agent, or Firm* — United IP Counselors, LLC

(57) **CLAIM**
The ornamental design for a hanging light fixture, as shown and described.

DESCRIPTION

FIG. 1 is a perspective view of a hanging light fixture illustrating my new invention;
FIG. 2 is a front elevational view of the hanging light fixture;
FIG. 3 is a rear elevational view of the hanging light fixture;
FIG. 4 is a top plan view of the hanging light fixture; and,
FIG. 5 is a bottom plan view of the hanging light fixture.
In the figures, the hanging light fixture is substantially radially symmetrical. Thus, left and right views are omitted as being identical to the front view. Additionally, the broken lines represent environmental structure which forms no part of the claim.

1 Claim, 5 Drawing Sheets



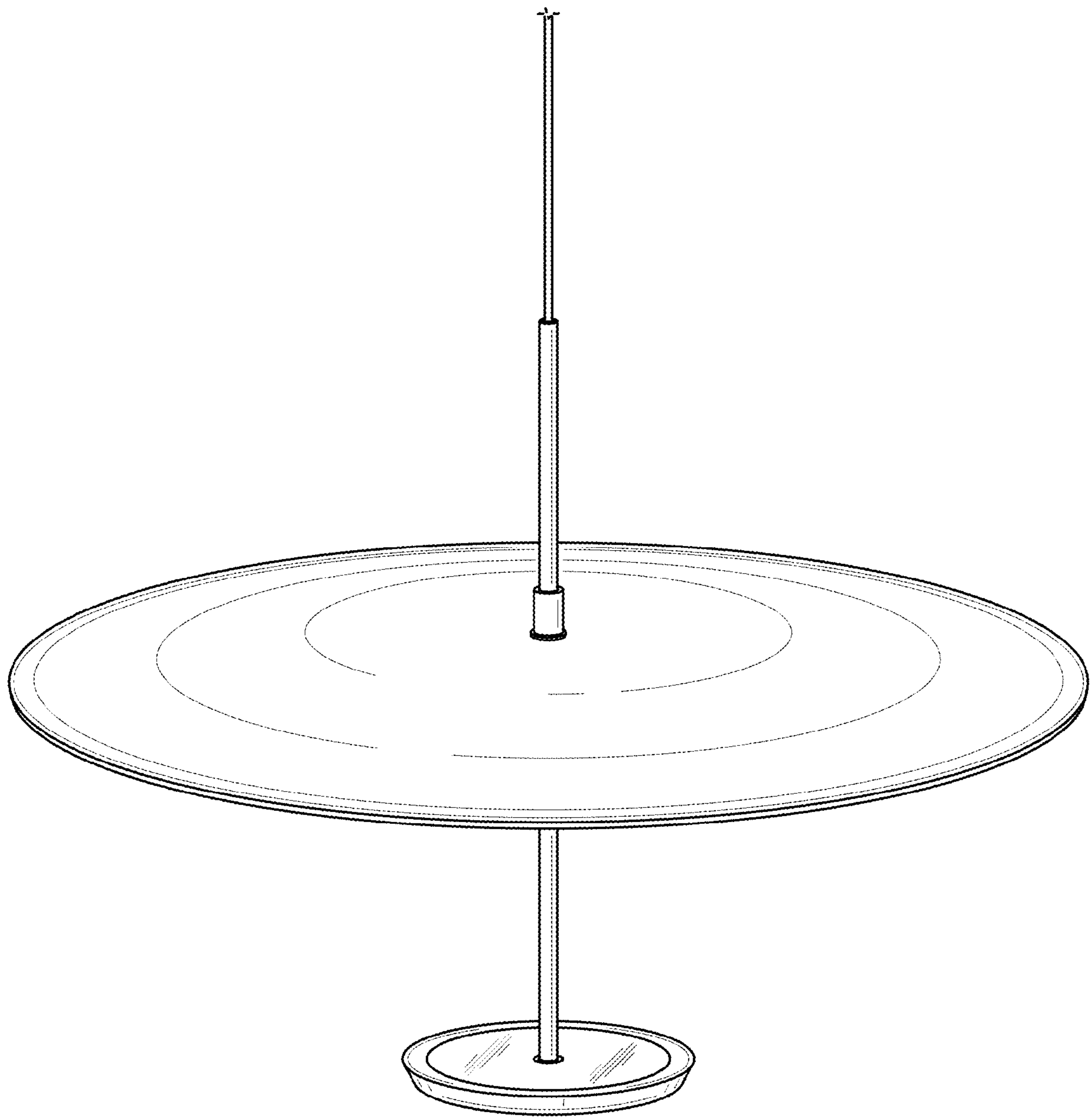


FIG. 1

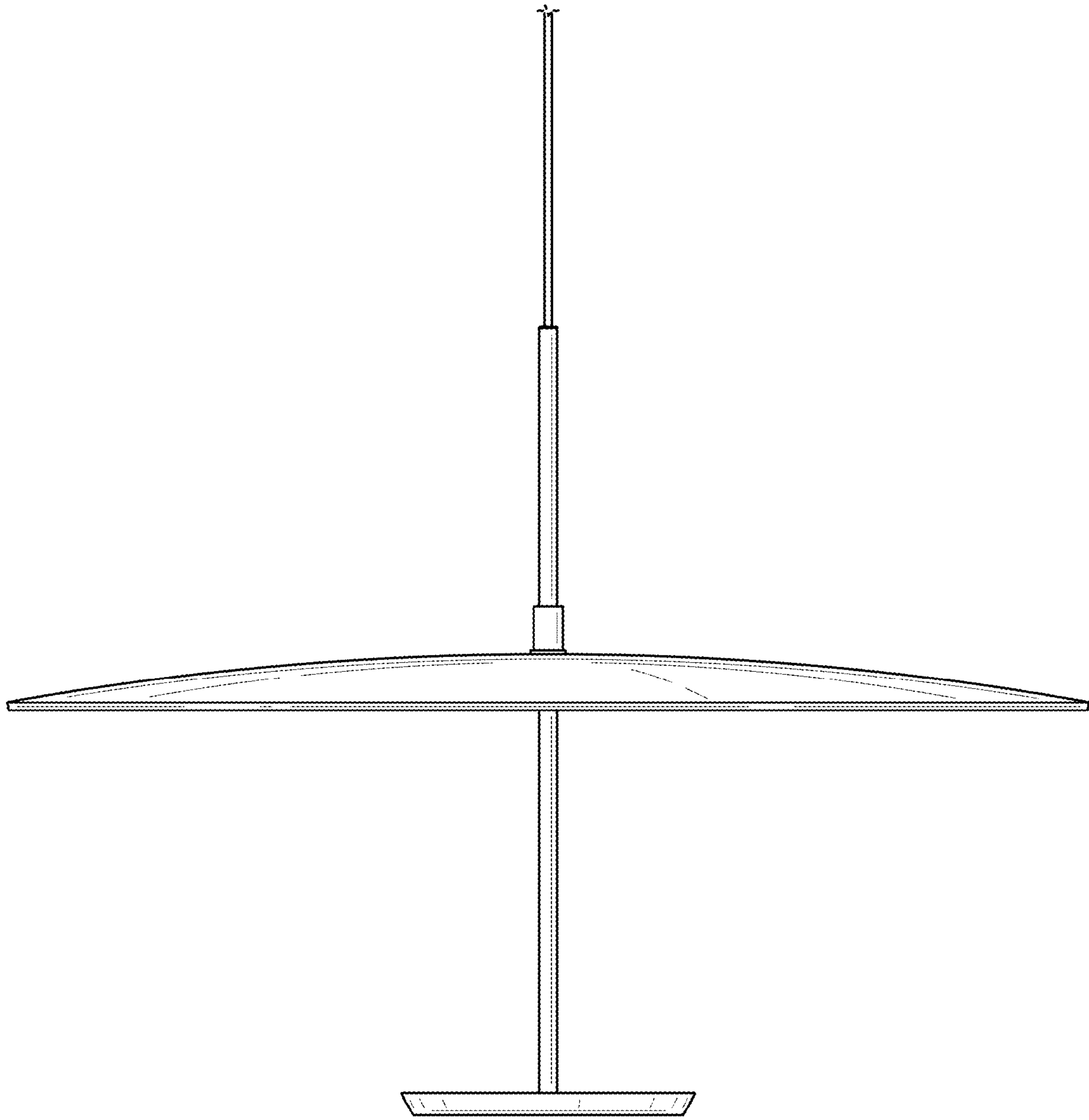


FIG. 2

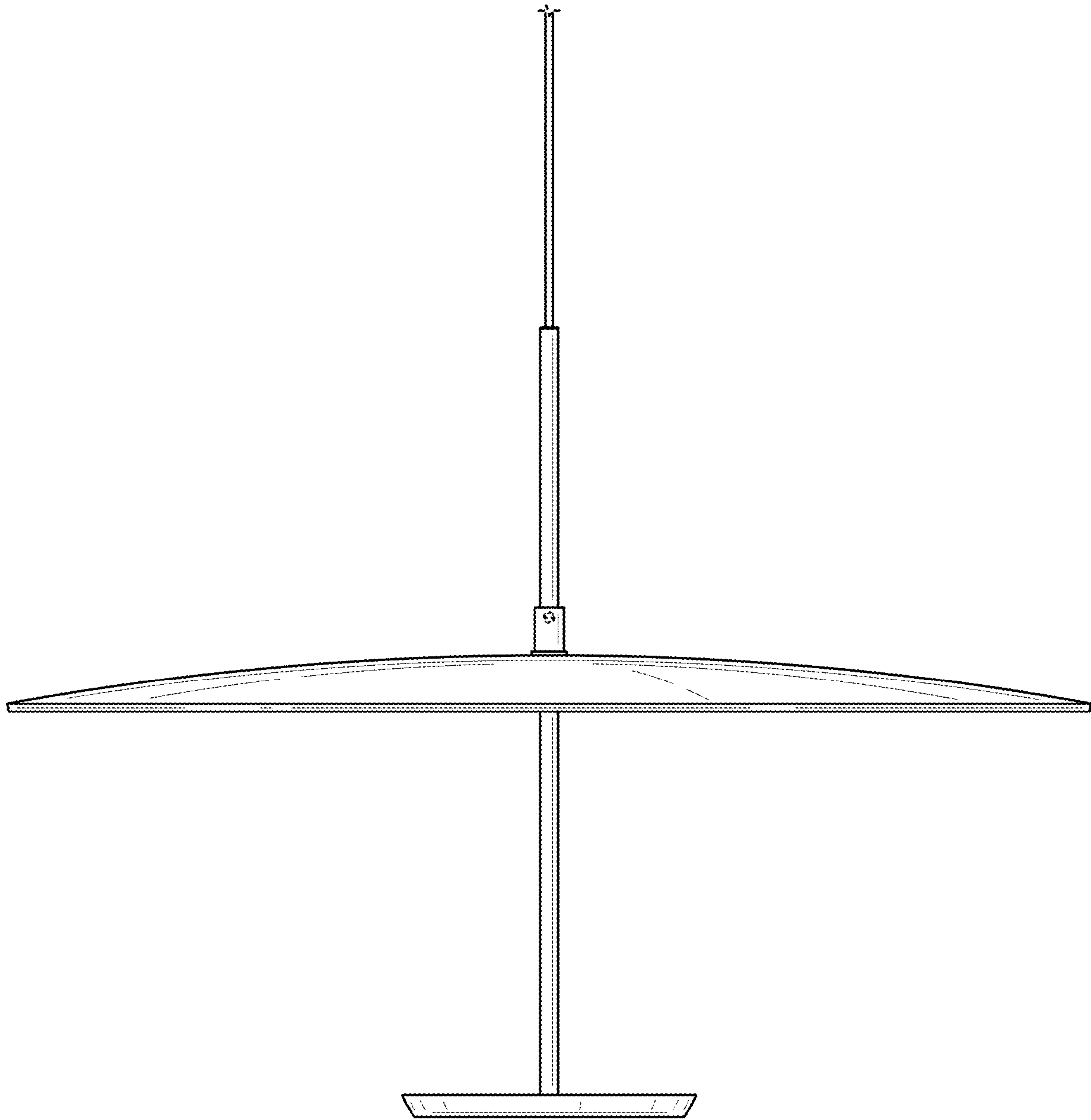


FIG. 3

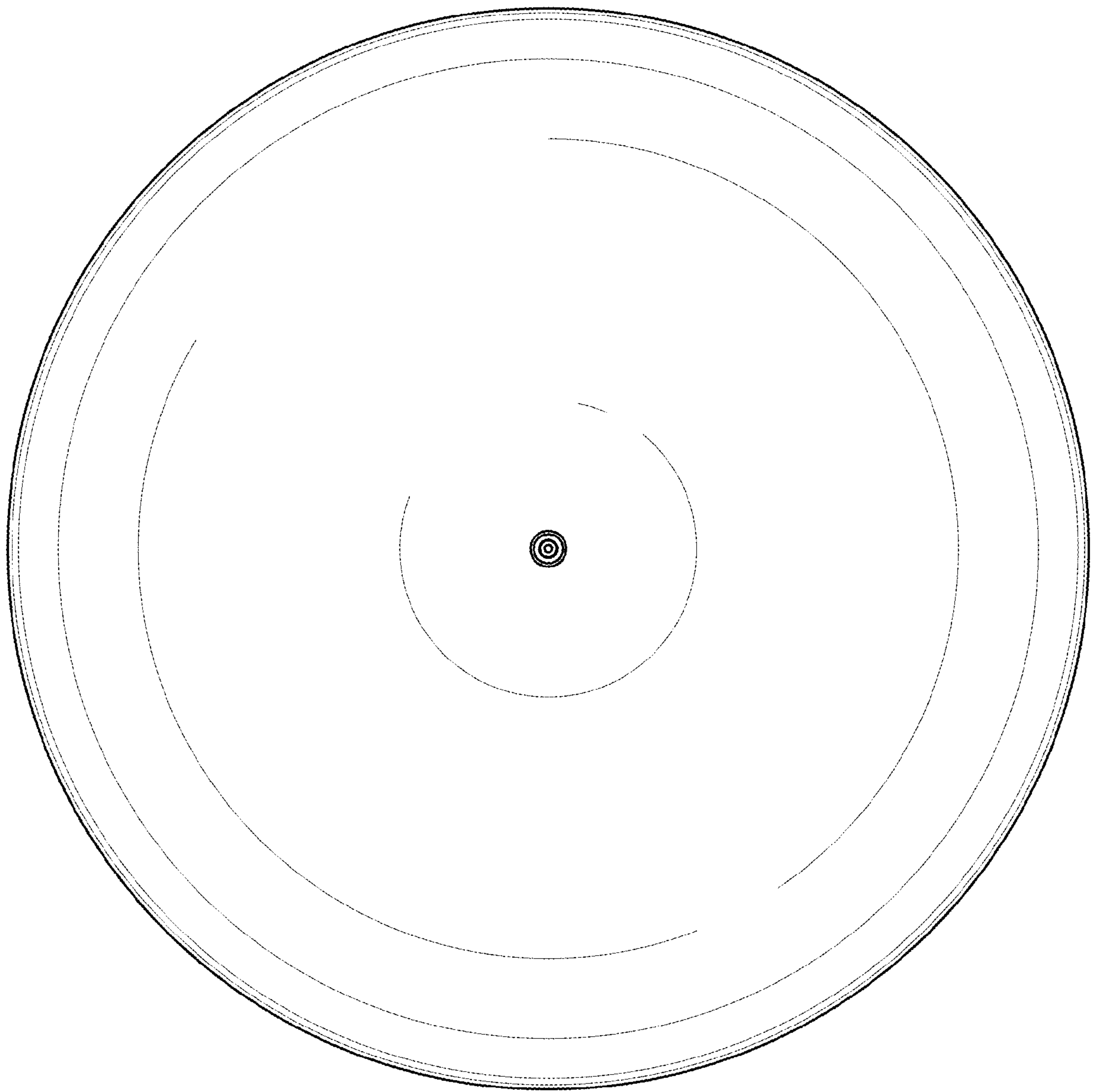


FIG. 4

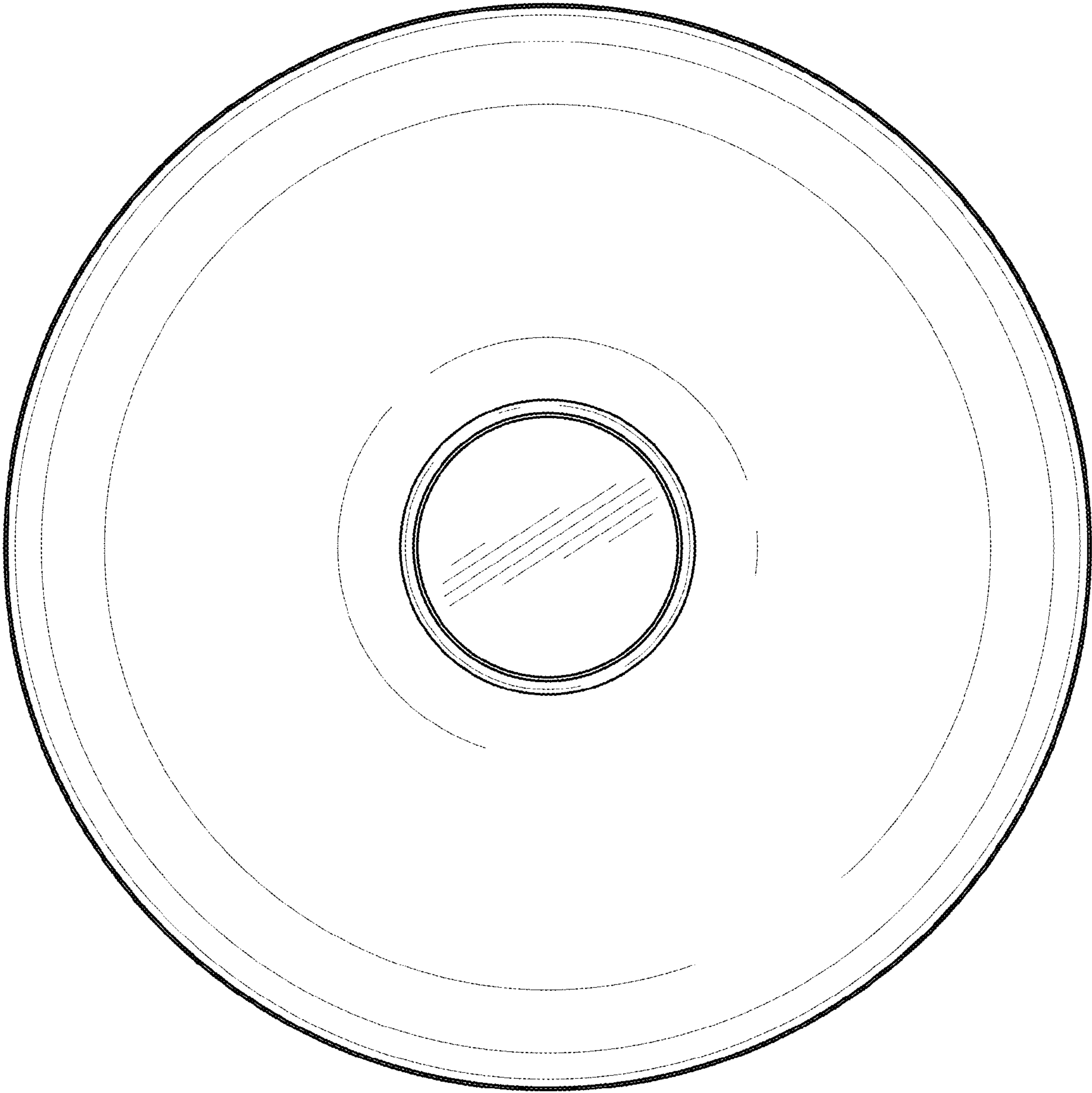


FIG. 5