



US00D936267S

(12) **United States Design Patent** (10) **Patent No.:** **US D936,267 S**
Shalvi (45) **Date of Patent:** **** Nov. 16, 2021**

(54) **LIGHT AND ULTRAVIOLET TROFFER**

(71) Applicant: **OLYMPIA LIGHTING, INC.**,
Northvale, NJ (US)

(72) Inventor: **Ram Shalvi**, Closter, NJ (US)

(73) Assignee: **OLYMPIA LIGHTING, INC.**,
Northvale, NJ (US)

(**) Term: **15 Years**

(21) Appl. No.: **29/747,639**

(22) Filed: **Aug. 24, 2020**

(51) **LOC (13) Cl.** **26-05**

(52) **U.S. Cl.**
USPC **D26/74**

(58) **Field of Classification Search**
USPC D26/74, 72, 75, 76, 77, 78, 85, 88, 89,
D26/118, 138, 141; 362/364, 365, 373,
362/145, 146, 147, 148, 150, 153, 153.1,
362/294, 296.01, 296.07, 296.08
CPC F21V 29/2262; F21V 7/06; F21V 21/044;
F21V 21/047; F21V 29/2212; F21V
29/2225; F21V 29/2256; F21V 29/225;
F21V 29/2268; F21Y 2111/002; F21S
8/02; F21S 8/026

See application file for complete search history.

(56) **References Cited**

U.S. PATENT DOCUMENTS

D192,607 S * 4/1962 Cooke D26/76
D411,325 S * 6/1999 Roorda D26/87
D464,457 S * 10/2002 Echito D26/76
D512,173 S * 11/2005 Benensohn D26/76
D773,711 S * 12/2016 Behling D26/74

D780,362 S * 2/2017 Akiyama D26/74
D830,603 S * 10/2018 Luo D26/74
D838,893 S * 1/2019 Li D26/74
D846,785 S * 4/2019 Luo D26/74
D853,616 S * 7/2019 Salas D26/74
D913,559 S * 3/2021 Botti D26/74
2017/0242177 A1* 8/2017 Howe G02B 6/0021
2017/0307190 A1* 10/2017 Leadford F21V 15/01

* cited by examiner

Primary Examiner — Angela J Lee

(74) *Attorney, Agent, or Firm* — Law Offices of Albert
Wai-Kit Chan, PLLC; Robert D. Katz

(57) **CLAIM**

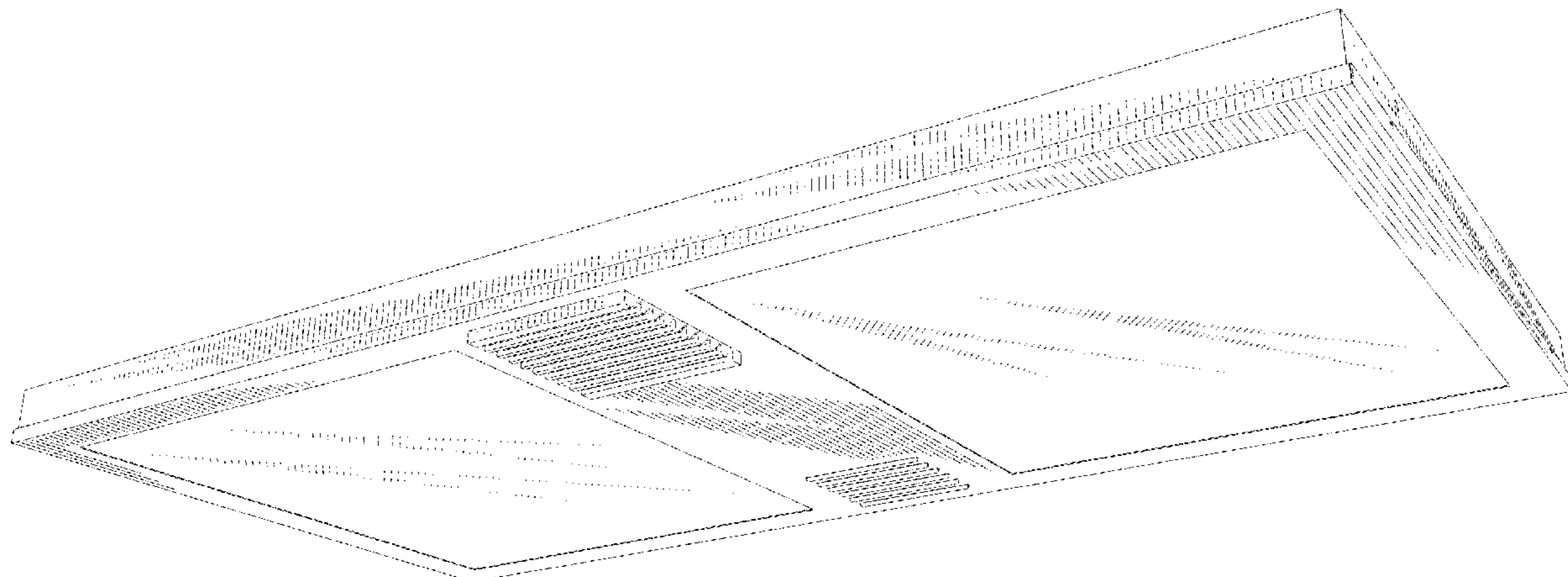
The ornamental design for a light and ultraviolet troffer, as
shown and described.

DESCRIPTION

FIG. 1 is a perspective view of my ornamental design;
FIG. 2 is a top view of the ornamental design shown in FIG.
1;
FIG. 3 is a bottom view of the ornamental design in FIG. 1;
FIG. 4 is a front view of the ornamental design shown in
FIG. 1;
FIG. 5 is a rear view of the ornamental design shown in FIG.
1;
FIG. 6 is a side view of right side of the ornamental design
shown in FIG. 1; and,
FIG. 7 is a side view of the left side of the ornamental design
shown in FIG. 1.

The dashed lines illustrate the environment and do not form
a part of the ornamental design disclosed and claimed
herein.

1 Claim, 5 Drawing Sheets



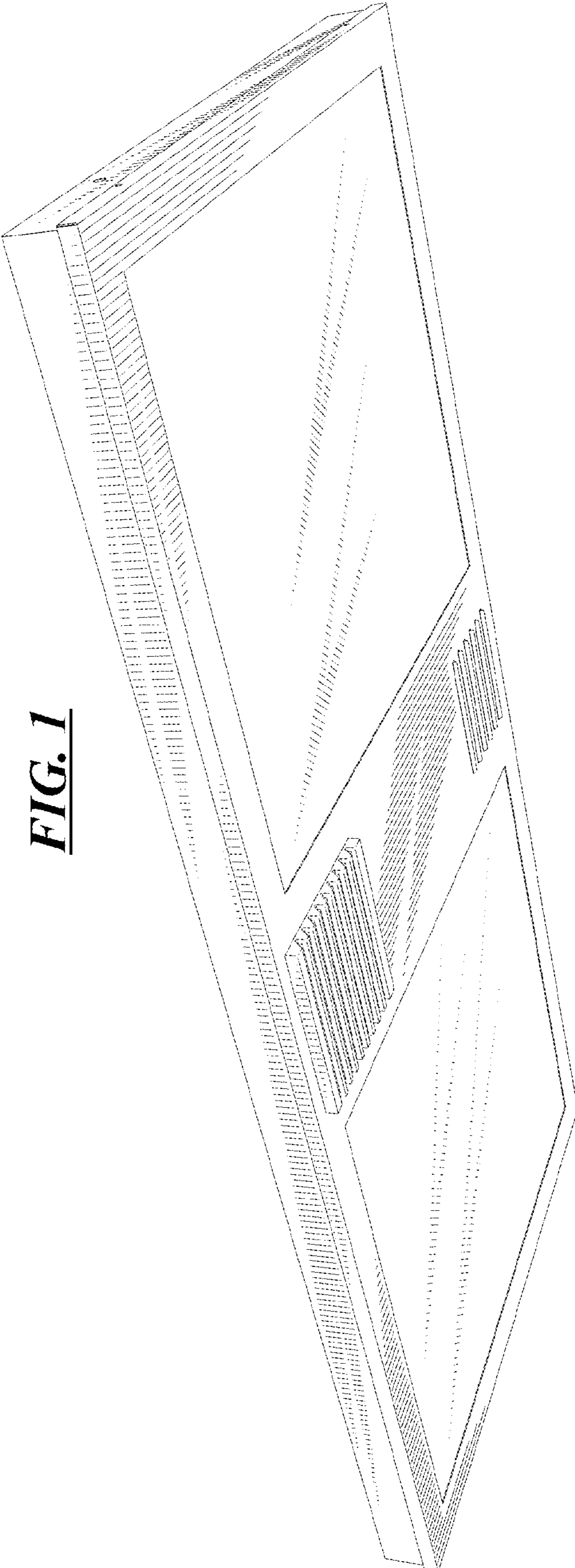


FIG. 1



FIG. 2

FIG. 3

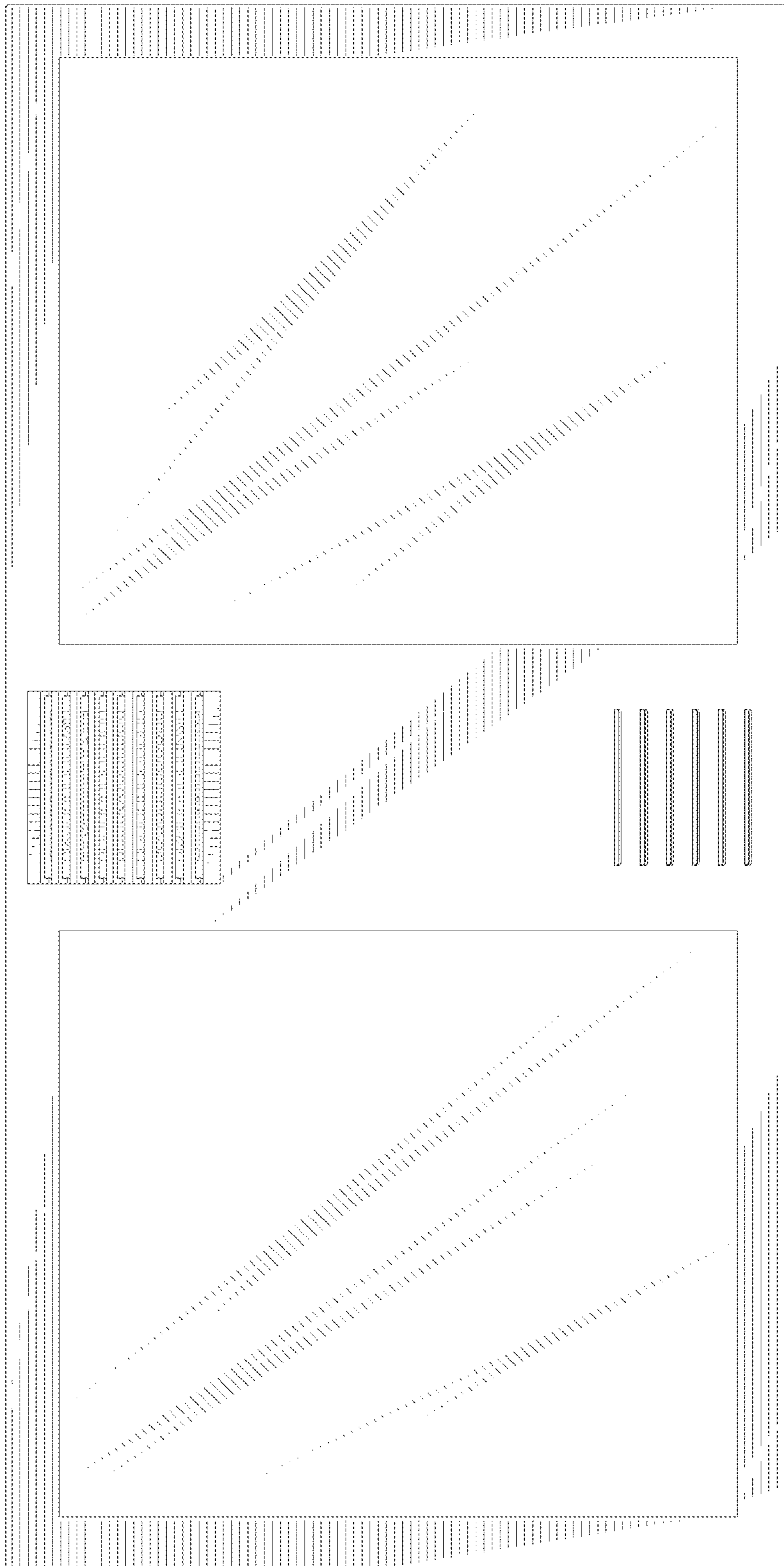


FIG. 4

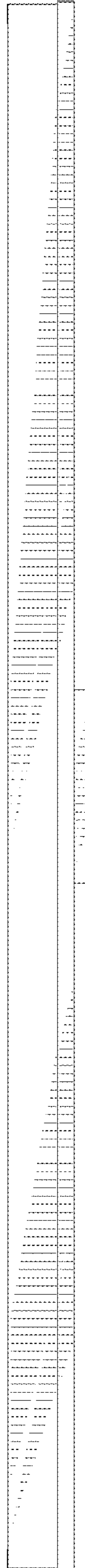


FIG. 5

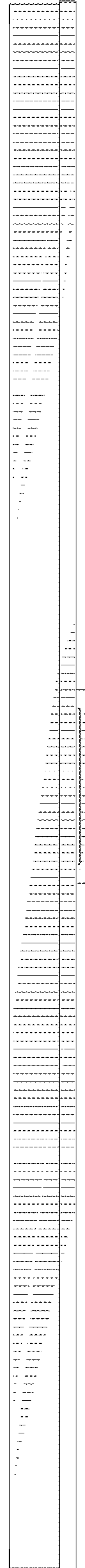


FIG. 6

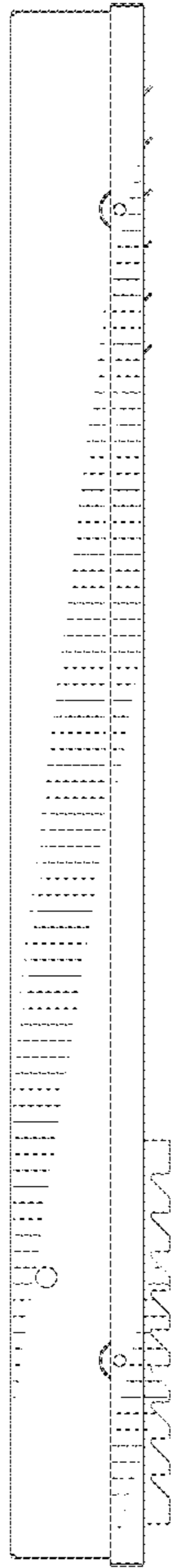


FIG. 7

