



US00D936266S

(12) **United States Design Patent**
Sung et al.

(10) **Patent No.:** **US D936,266 S**

(45) **Date of Patent:** **** Nov. 16, 2021**

(54) **LIGHTING FIXTURE**

(71) Applicant: **SIGNIFY HOLDING B.V.**, Eindhoven (NL)

(72) Inventors: **Yunhwan Sung**, Shanghai (CN); **Yong Jun Yj Hwang**, Shanghai (CN)

(73) Assignee: **SIGNIFY HOLDING B.V.**, Eindhoven (NL)

(**) Term: **15 Years**

(21) Appl. No.: **29/697,483**

(22) Filed: **Jul. 9, 2019**

(30) **Foreign Application Priority Data**

Jan. 10, 2019 (EM) 005980000-0001

(51) **LOC (13) Cl.** **26-03**

(52) **U.S. Cl.**
USPC **D26/72**

(58) **Field of Classification Search**
USPC D26/24, 72, 76, 80, 85, 89, 88
CPC F21S 8/03; F21S 8/036; F21S 8/037; F21S 9/02; F21S 9/024; F21S 9/03; F21S 9/037; F21W 2131/107; G08B 13/19; G08B 13/193

See application file for complete search history.

(56) **References Cited**

U.S. PATENT DOCUMENTS

D628,316 S * 11/2010 Yamamoto D26/2
D631,573 S * 1/2011 Yamamoto D26/2
D639,996 S * 6/2011 Stolte D26/89
D657,088 S * 4/2012 Miro D26/89
8,272,765 B2 * 9/2012 Ter-Hovhannisyan
F21V 17/14
362/294

8,905,589 B2 * 12/2014 Stolte F21K 9/20
362/294
D855,240 S * 7/2019 Wagner D26/89
D857,256 S * 8/2019 Li D26/24
D860,509 S * 9/2019 Ma D26/89
D868,336 S * 11/2019 Li D26/72
D875,292 S * 2/2020 Zhou D26/72
D907,832 S * 1/2021 Gong D26/72
D908,264 S * 1/2021 Liu D26/72
D916,353 S * 4/2021 Wilcox D26/88
D917,758 S * 4/2021 Pi D26/72
2014/0198496 A1 * 7/2014 Ye F21V 5/00
362/235
2014/0301076 A1 * 10/2014 Ter-Hovhannisyan ... F21K 9/20
362/235
2016/0363300 A1 * 12/2016 Ma F21S 8/043
2018/0372284 A1 * 12/2018 Danesh F21K 9/68

OTHER PUBLICATIONS

LED High Bay Light from the EUCENS Store at amazon.com, ASIN: B088M2FDBG, available Jun. 24, 2020. (Year: 2020).*

* cited by examiner

Primary Examiner — Clare E Heflin

(74) *Attorney, Agent, or Firm* — Daniel J. Piotrowski

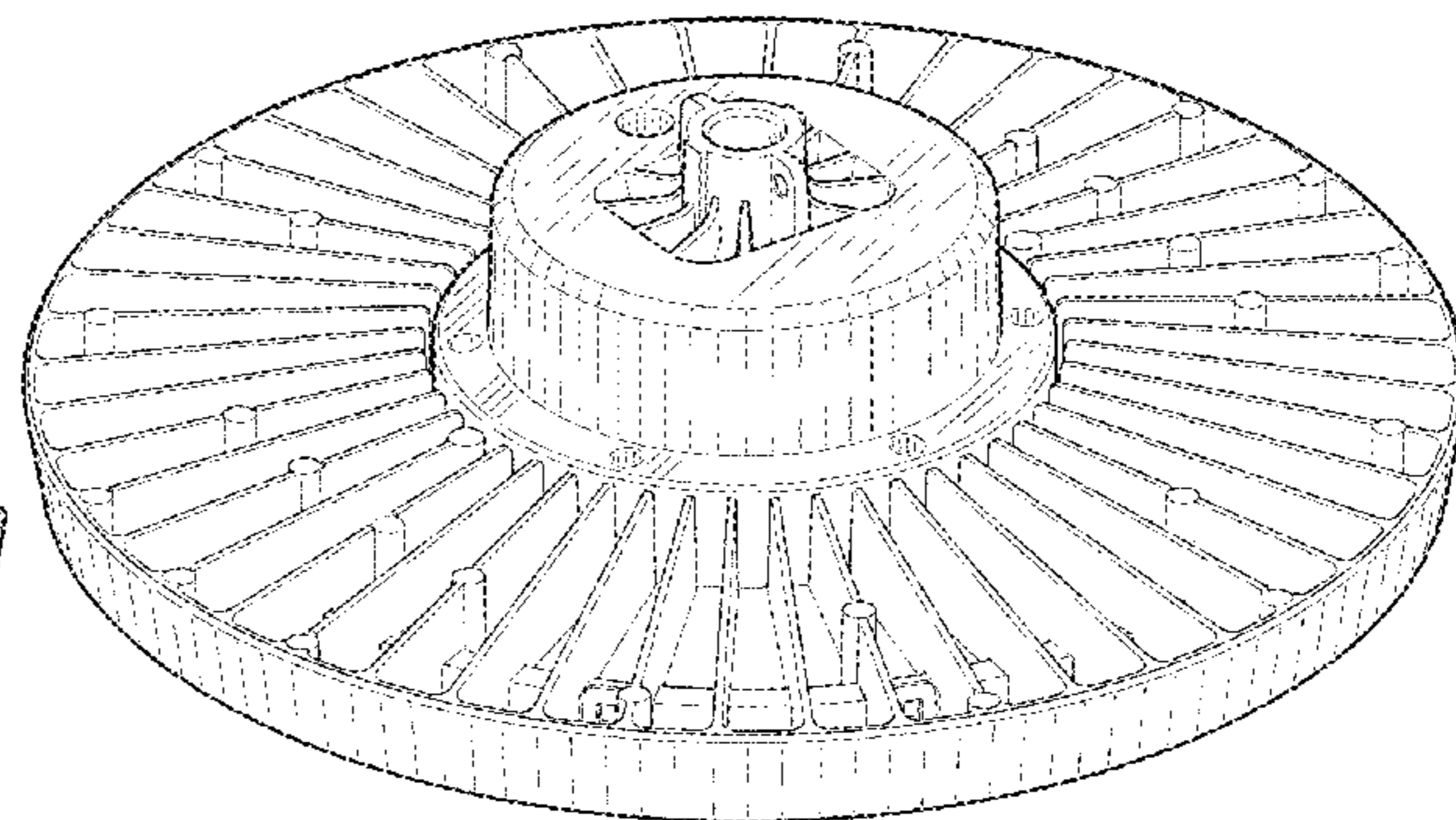
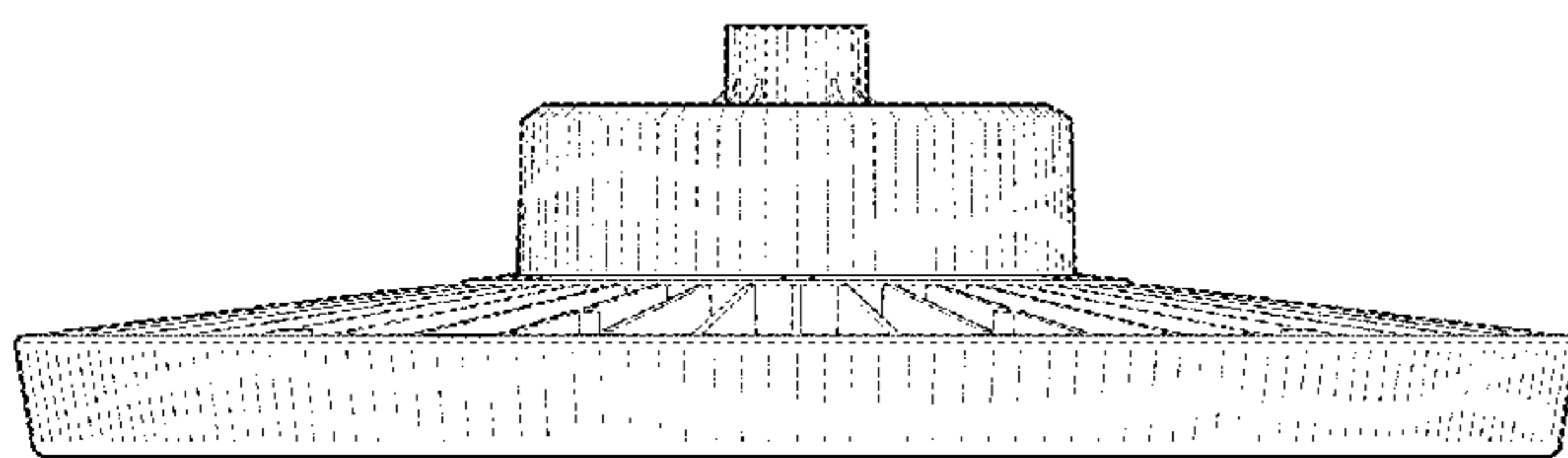
(57) **CLAIM**

The ornamental design for a “lighting fixture”, as shown and described.

DESCRIPTION

FIG. 1 is a bottom perspective view showing my design; FIG. 2 is a front elevational view thereof; FIG. 3 is a rear elevational view thereof; FIG. 4 is a right side elevational view thereof; FIG. 5 is a left side elevational view thereof; FIG. 6 is a bottom plan view thereof; FIG. 7 is a top plan view thereof; and, FIG. 8 is a top perspective view thereof.

1 Claim, 6 Drawing Sheets



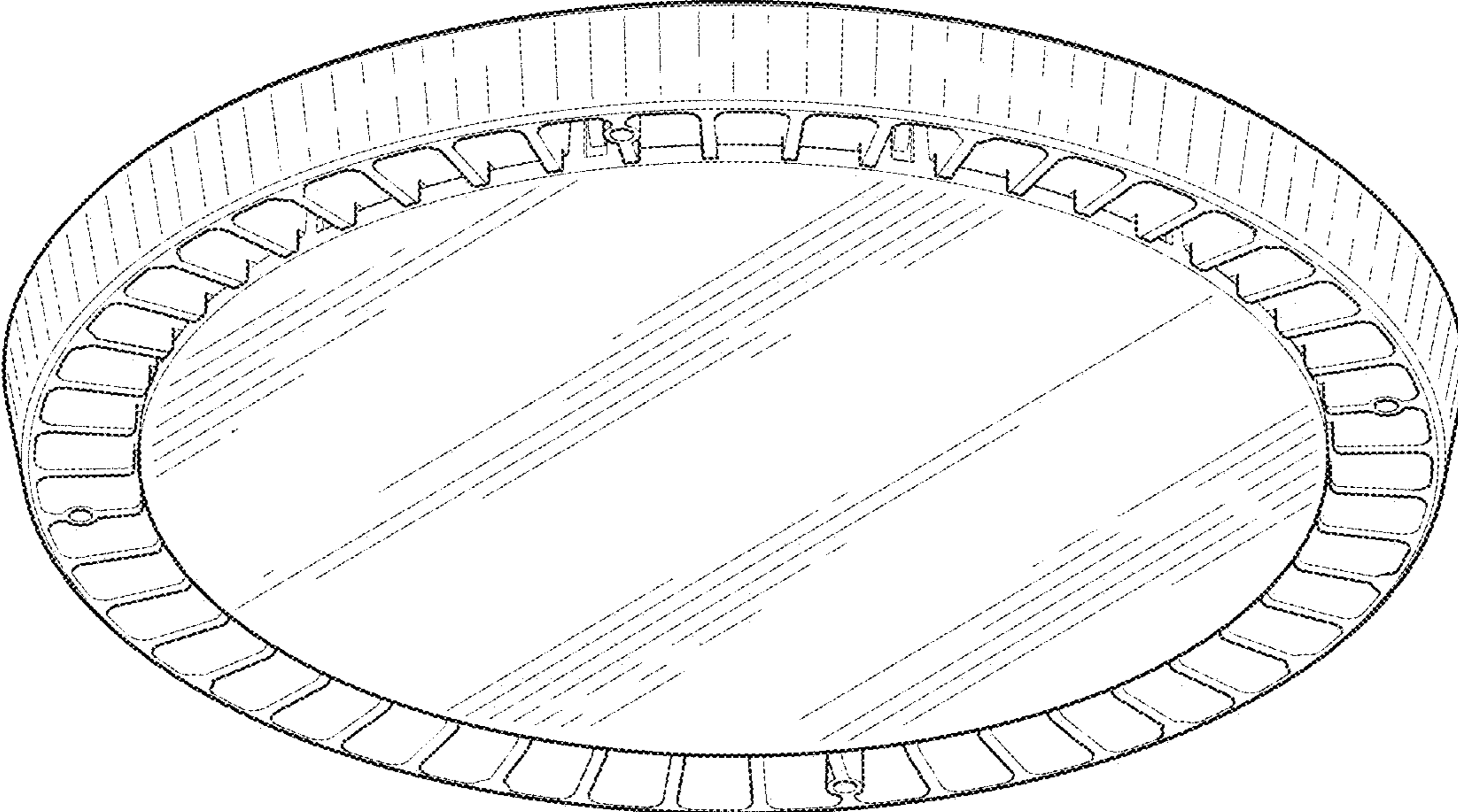


FIG. 1

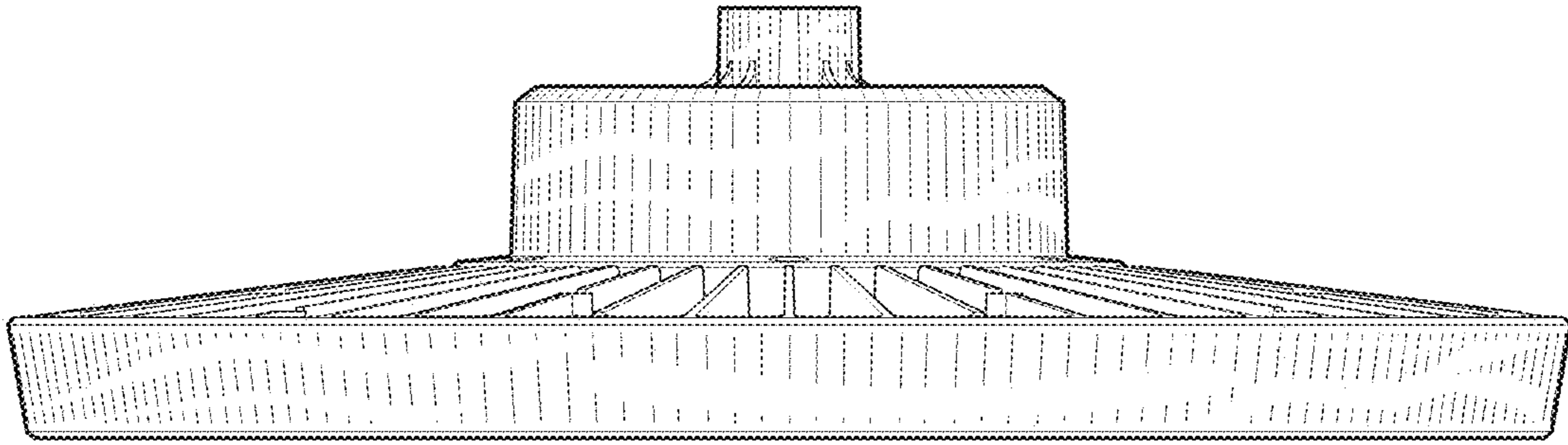


FIG. 2

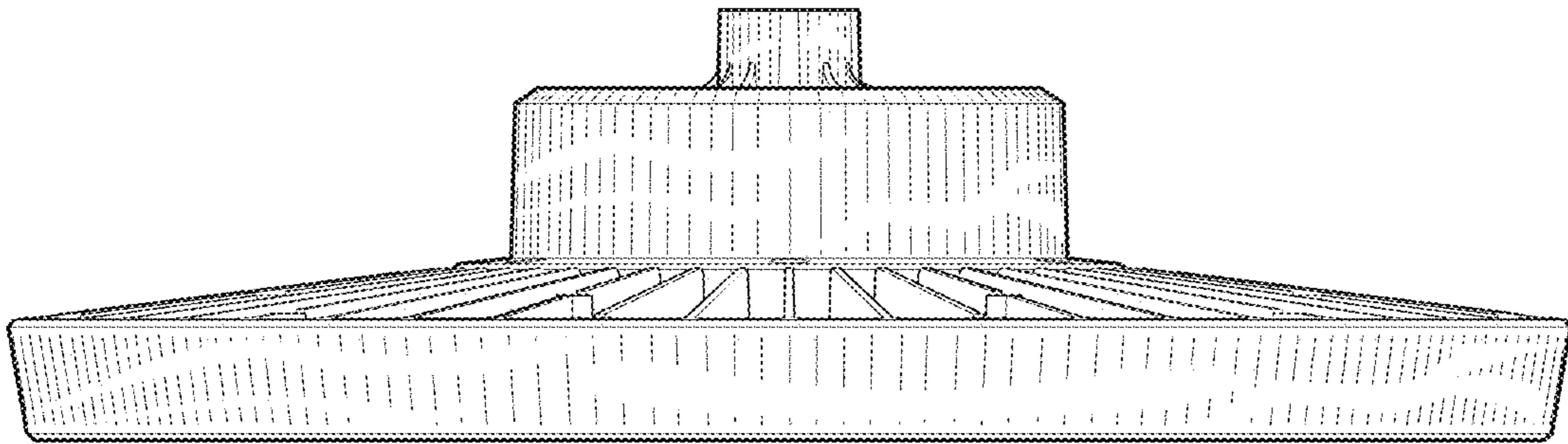


FIG. 3

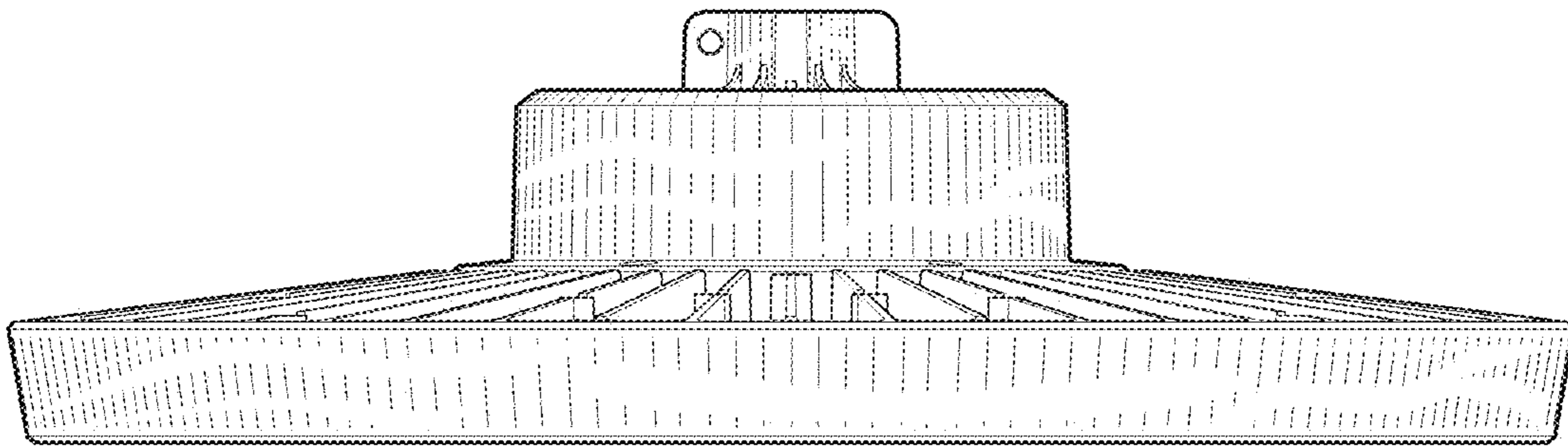


FIG. 4

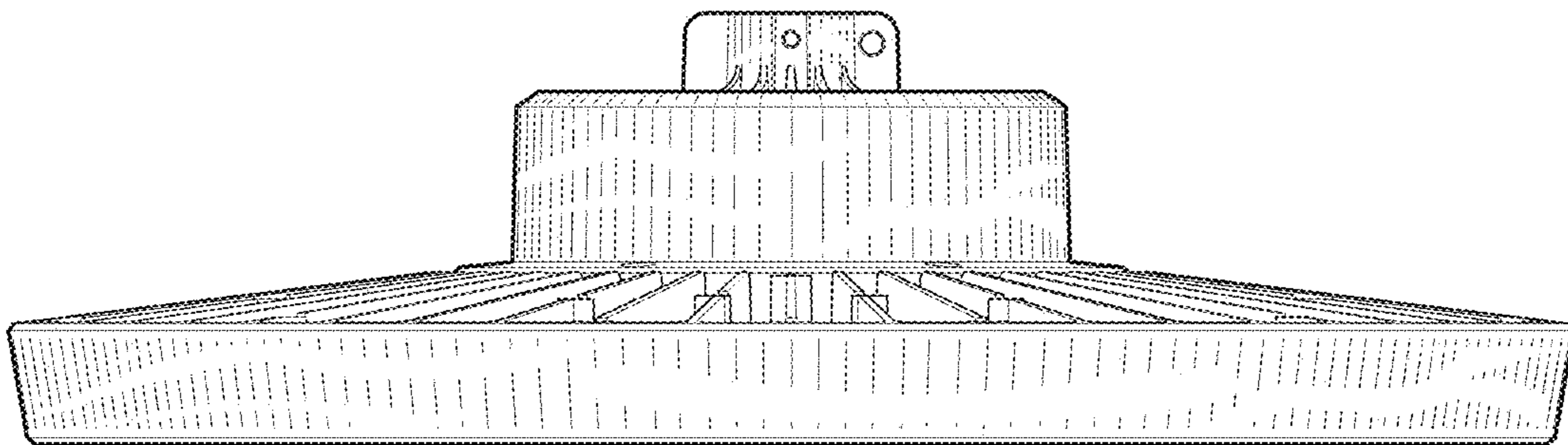


FIG. 5

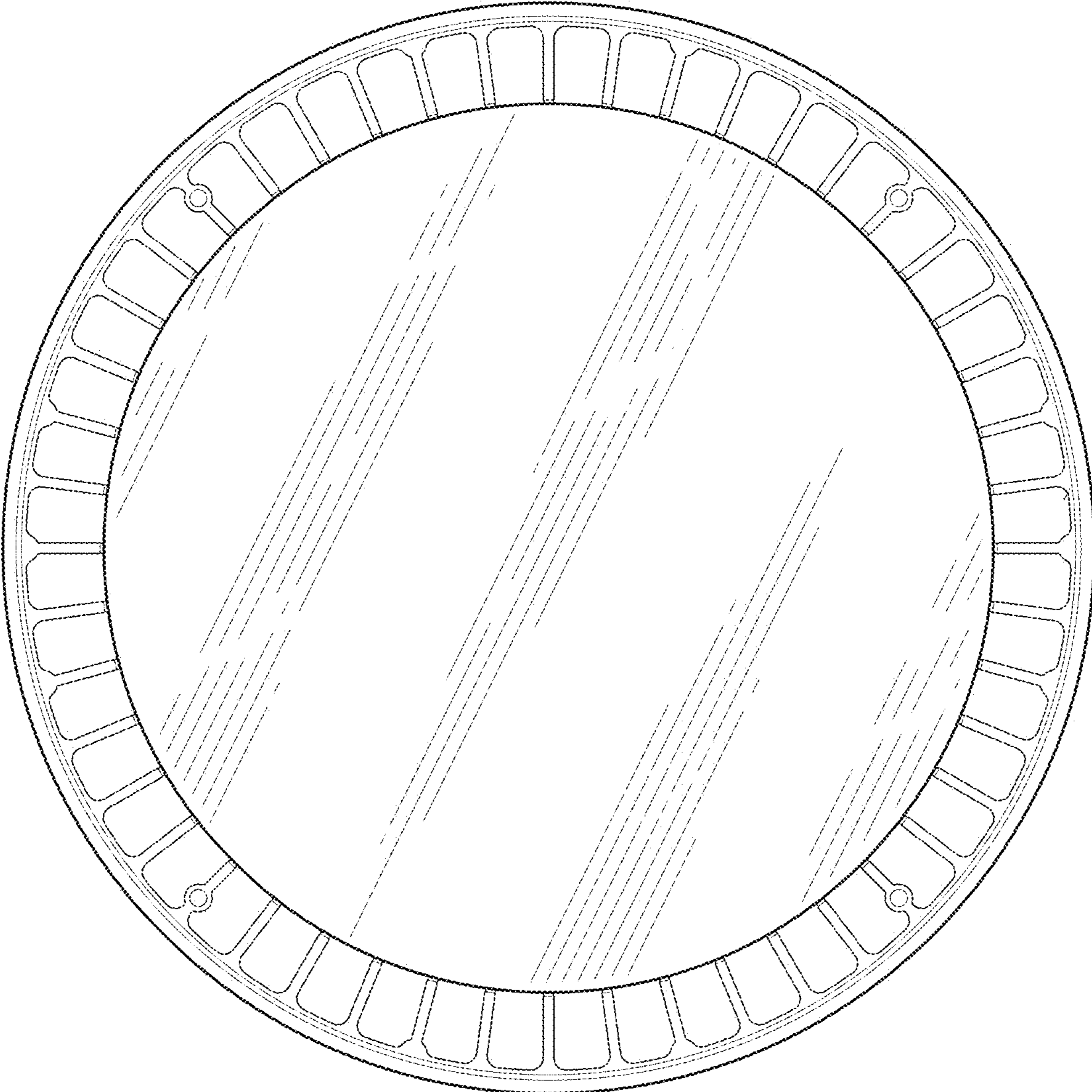


FIG. 6

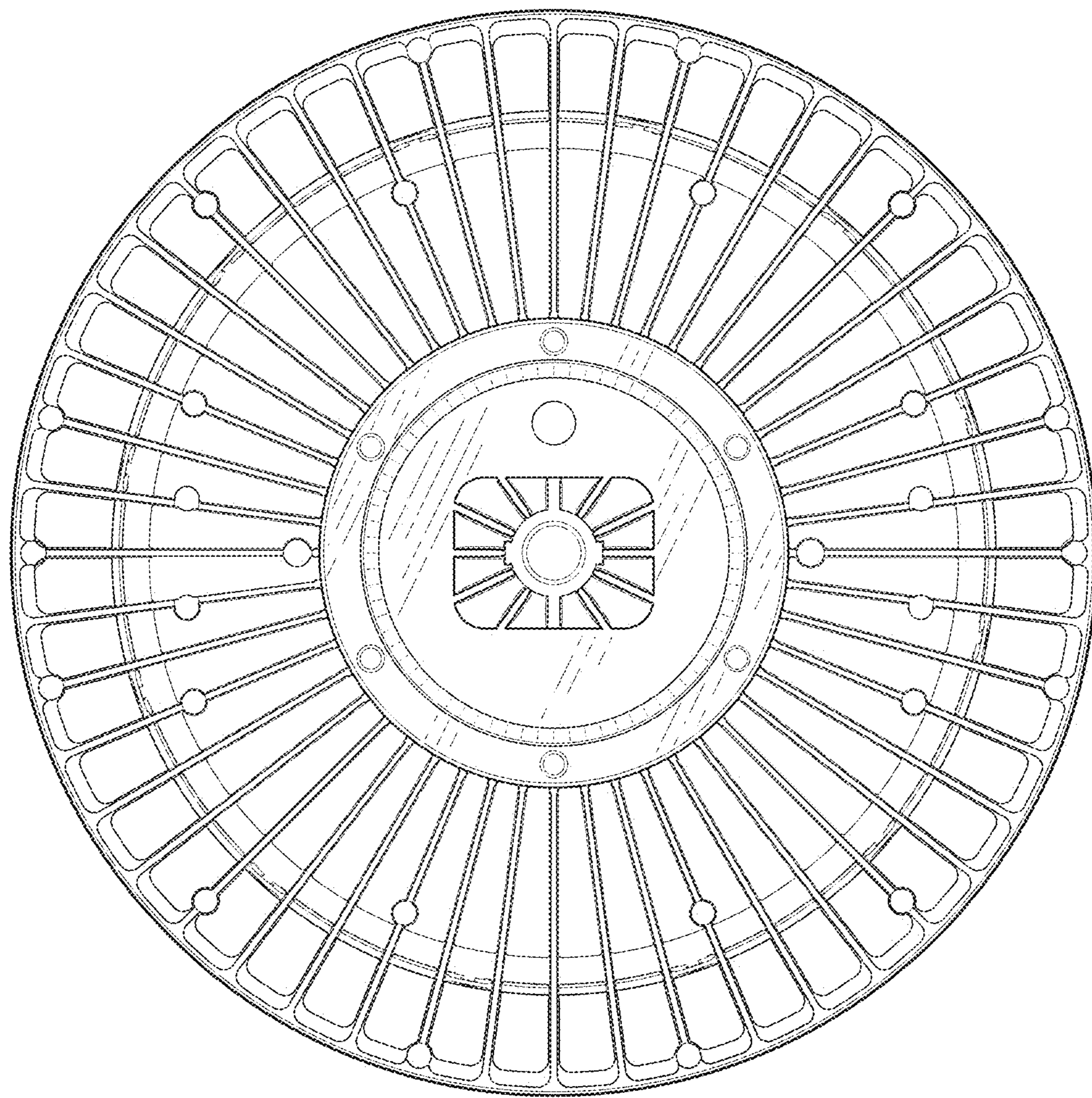


FIG. 7

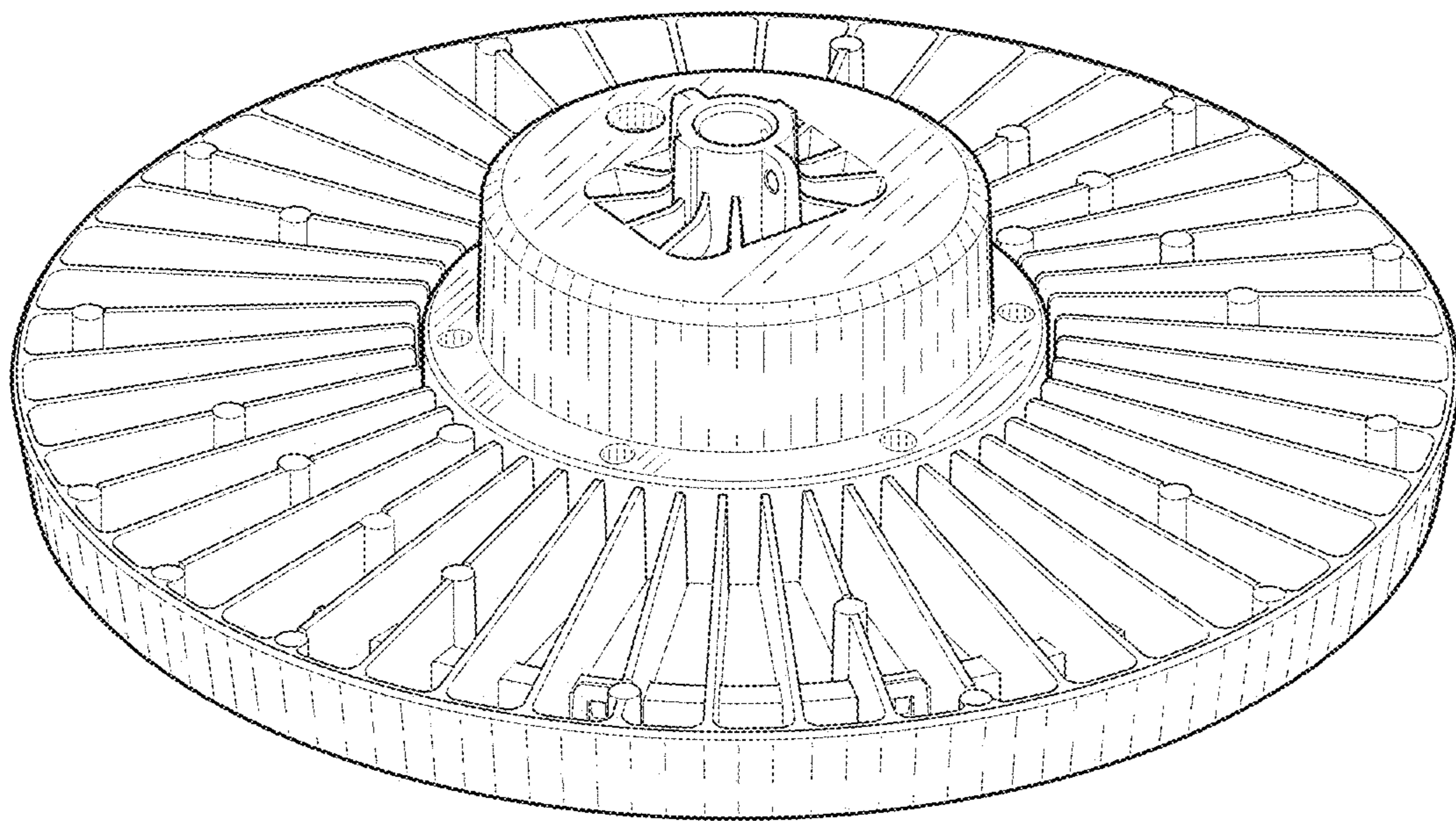


FIG. 8