



US00D936265S

(12) **United States Design Patent** (10) **Patent No.:** **US D936,265 S**  
**Johnson** (45) **Date of Patent:** **\*\* Nov. 16, 2021**

(54) **UMBRELLA LIGHT**  
(71) Applicant: **London Johnson, Inc.**, Dallas, TX (US)  
(72) Inventor: **Brian P. Johnson**, Dallas, TX (US)  
(\*\*) Term: **15 Years**  
(21) Appl. No.: **29/723,609**  
(22) Filed: **Feb. 7, 2020**  
(51) **LOC (13) Cl.** ..... **26-05**  
(52) **U.S. Cl.**  
USPC ..... **D26/67**  
(58) **Field of Classification Search**  
USPC ..... D26/60, 67-70, 80  
CPC ... F21S 8/032; F21S 9/02; F21S 9/037; F21V 21/088; F21V 21/0885; F21V 33/0028  
See application file for complete search history.

(56) **References Cited**  
**U.S. PATENT DOCUMENTS**  
D468,472 S \* 1/2003 Mullally ..... D26/67  
D501,573 S \* 2/2005 Benensohn ..... D26/89  
D558,908 S \* 1/2008 Waedeled ..... D26/67  
D564,687 S \* 3/2008 Bucher ..... D26/60  
7,401,936 B1 \* 7/2008 Fan ..... A45B 3/04  
362/102  
D574,538 S \* 8/2008 Sanoner ..... D26/67  
D642,722 S \* 8/2011 Oberpriller ..... D26/67  
D836,811 S \* 12/2018 Shundong ..... D26/67  
D866,037 S \* 11/2019 Hu ..... D26/67  
D866,815 S \* 11/2019 Wang ..... D26/24  
D895,875 S \* 9/2020 Wang ..... D26/67

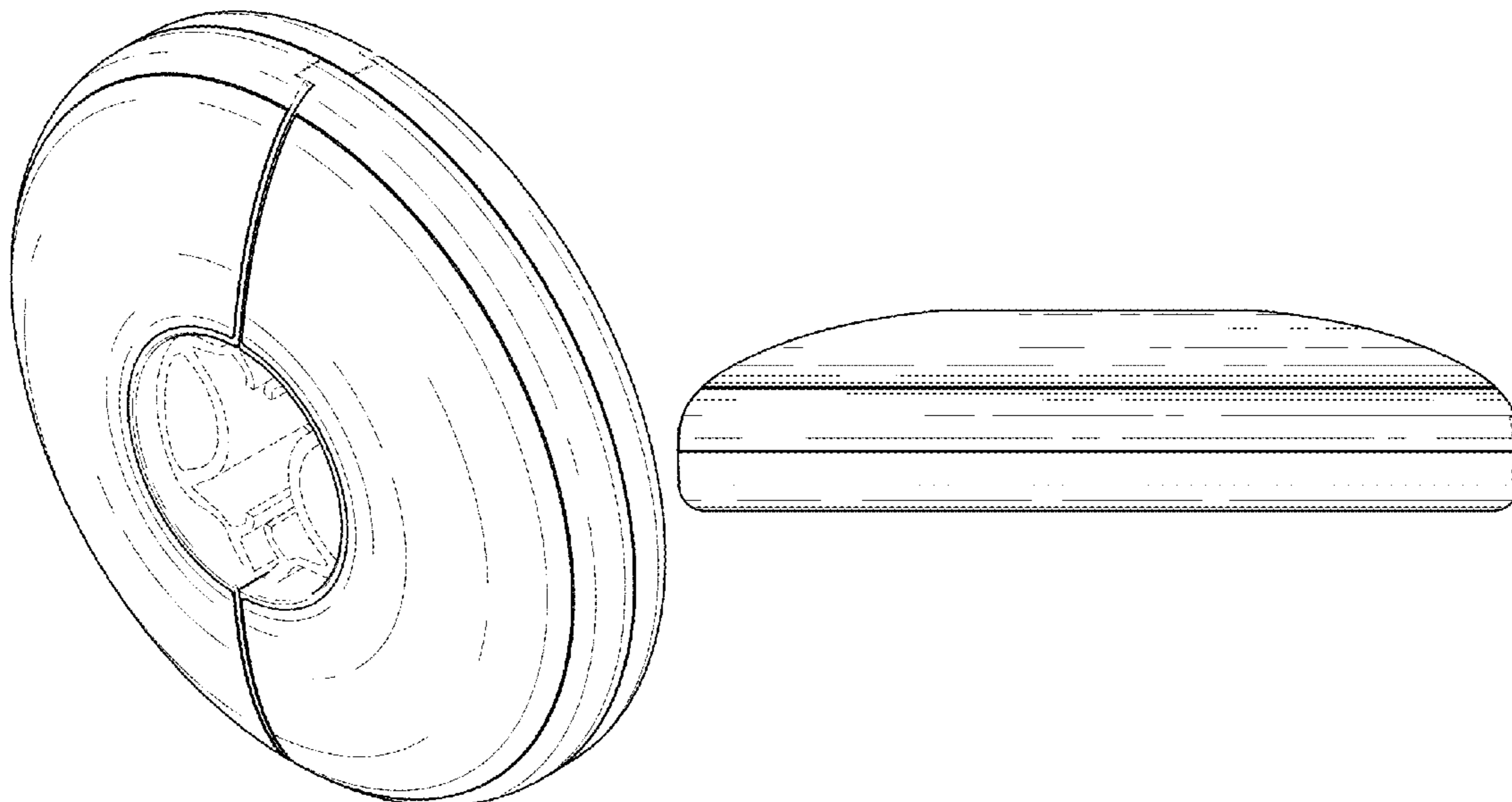
**OTHER PUBLICATIONS**  
Brilliant Evolution LED Patio Umbrella Light with Remote, ASIN: B0883YYCFT, available at amazon.com May 5, 2020. (Year: 2020).\*

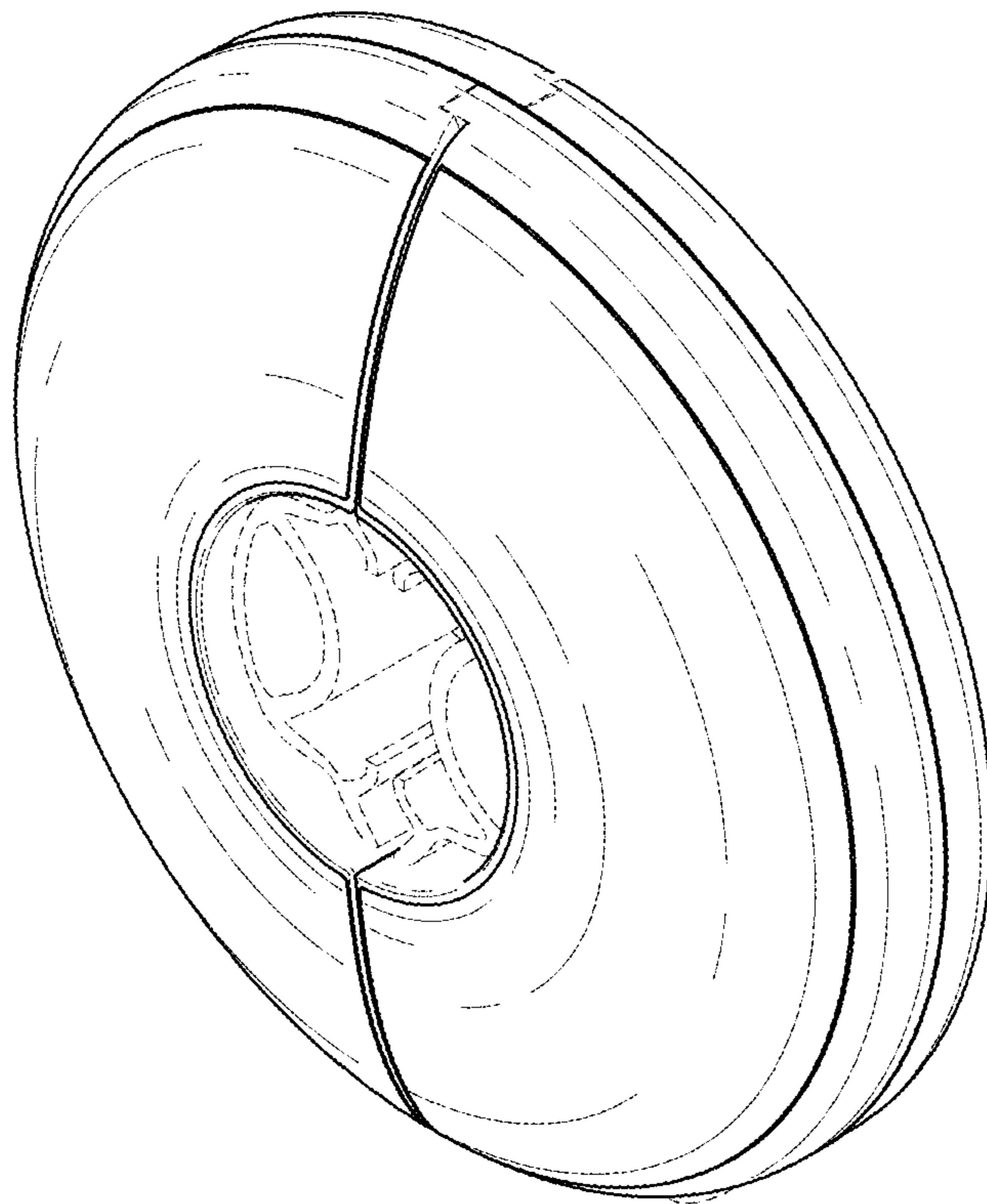
HONWELL Patio Umbrella Light, ASIN: B07MNYNGPJ, available at amazon.com Mar. 18, 2019. (Year: 2019).\*  
LUXSWAY Patio Umbrella Light, ASIN: B089MBMJMM, available at amazon.com Jun. 3, 2020. (Year: 2020).\*  
\* cited by examiner  
*Primary Examiner* — Clare E Heflin  
(74) *Attorney, Agent, or Firm* — Wolf, Greenfield & Sacks, P.C.

(57) **CLAIM**  
The ornamental design for an umbrella light, as shown and described.

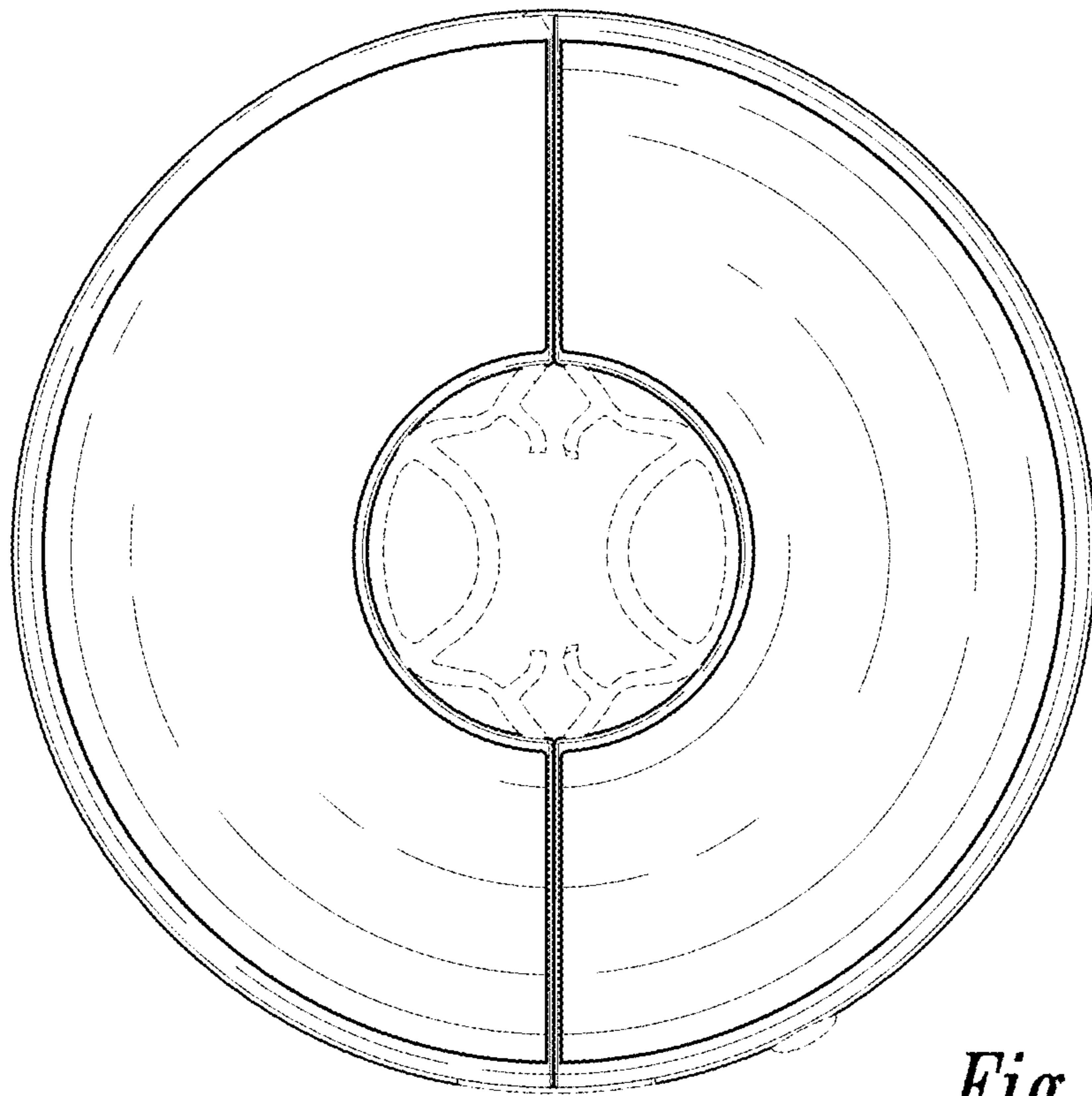
**DESCRIPTION**  
FIG. 1 is a perspective view of an umbrella light showing a first embodiment of my new design, as viewed from the top and front.  
FIG. 2 is a front profile view thereof.  
FIG. 3 is a back profile view thereof.  
FIG. 4 is a first end profile view thereof.  
FIG. 5 is second end profile view thereof.  
FIG. 6 is a first side profile view thereof.  
FIG. 7 is a second side profile view thereof.  
FIG. 8 is a perspective view of an umbrella light showing a second embodiment of my new design, as viewed from the top and front.  
FIG. 9 is a front profile view thereof.  
FIG. 10 is a back profile view thereof.  
FIG. 11 is a first end profile view thereof.  
FIG. 12 is second end profile view thereof.  
FIG. 13 is a first side profile view thereof; and,  
FIG. 14 is a second side profile view thereof.  
The details shown in broken lines illustrate features that form no part of the claimed designs.

**1 Claim, 6 Drawing Sheets**

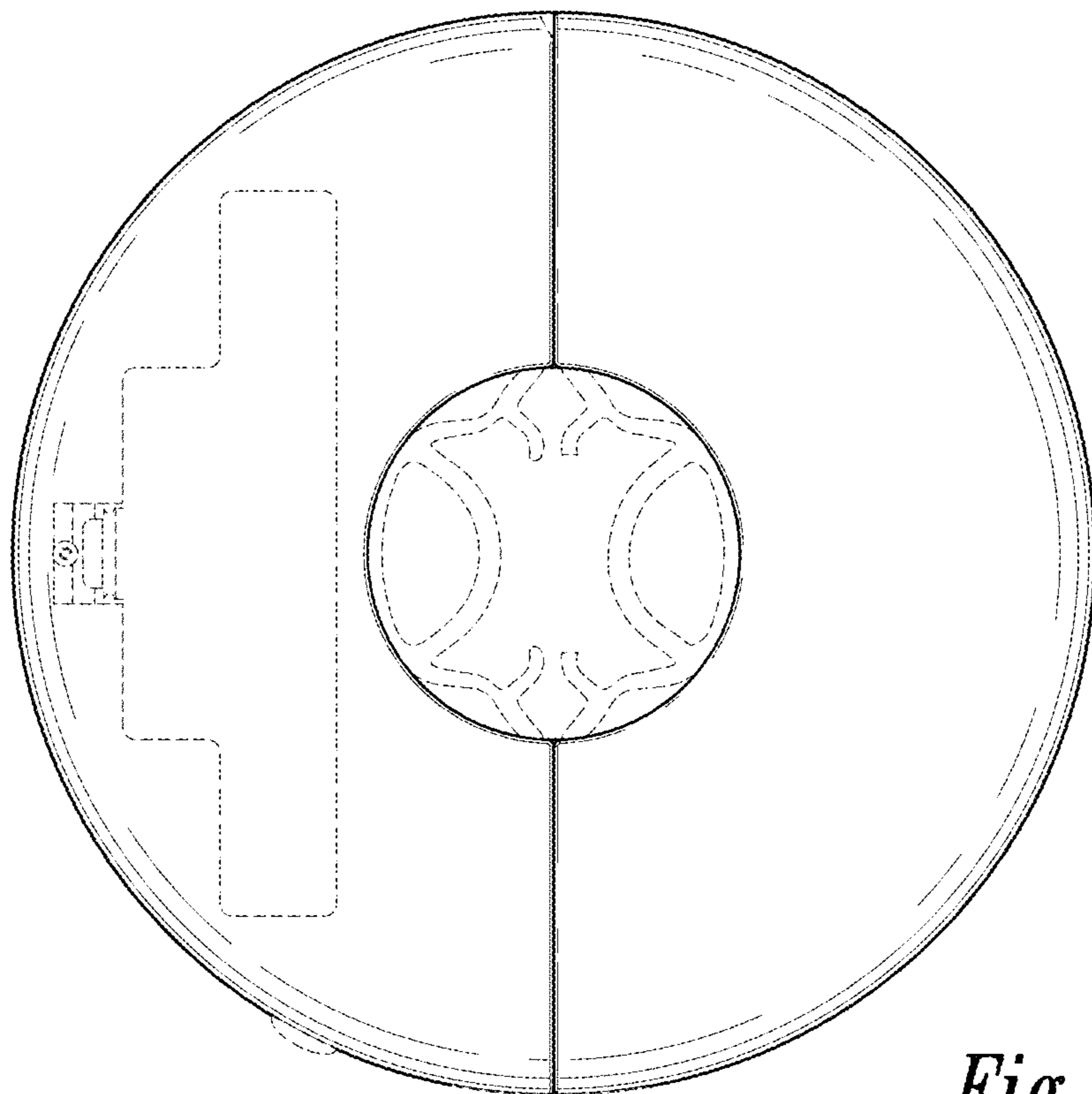




*Fig. 1*



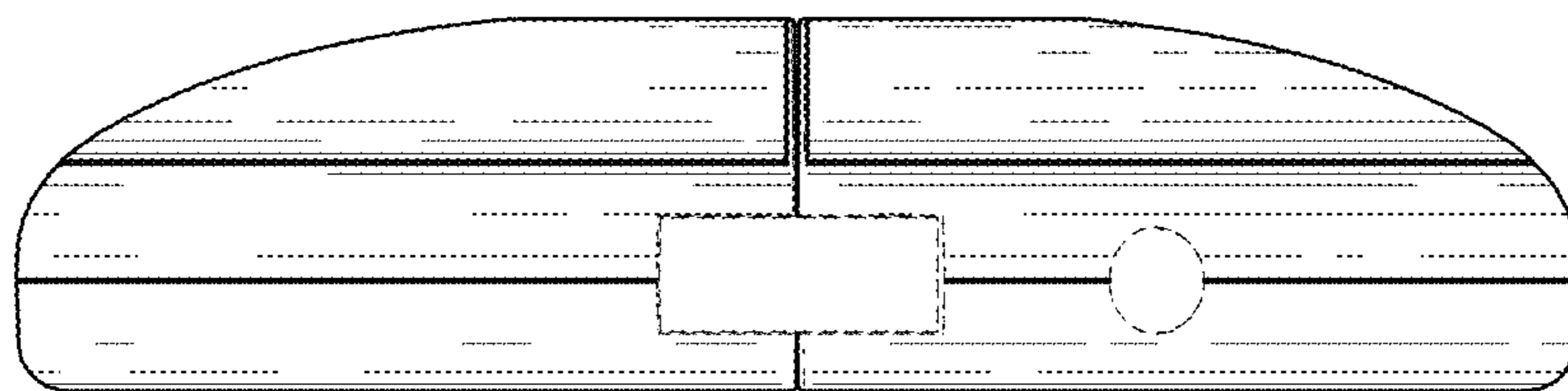
*Fig. 2*



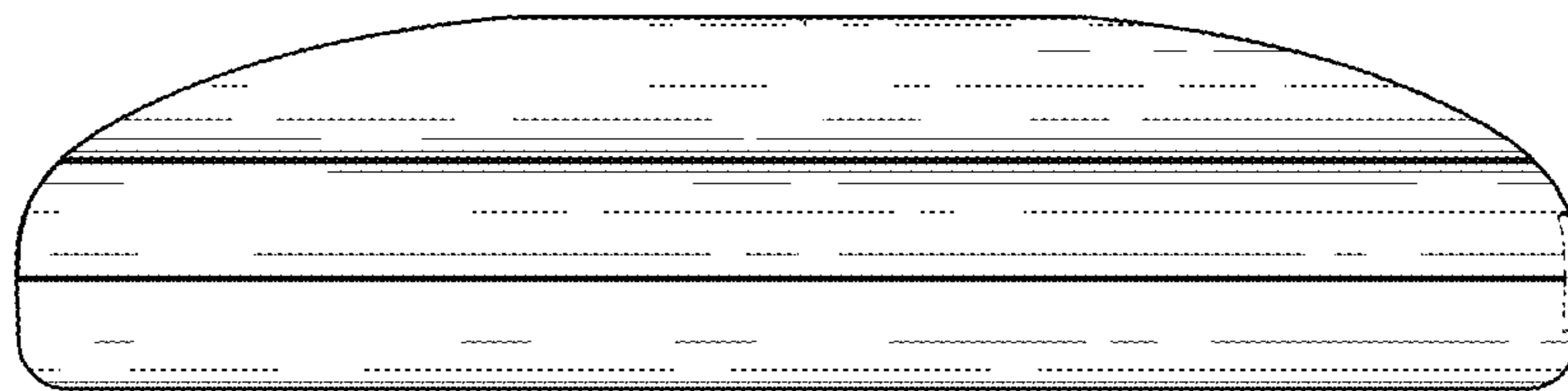
*Fig. 3*



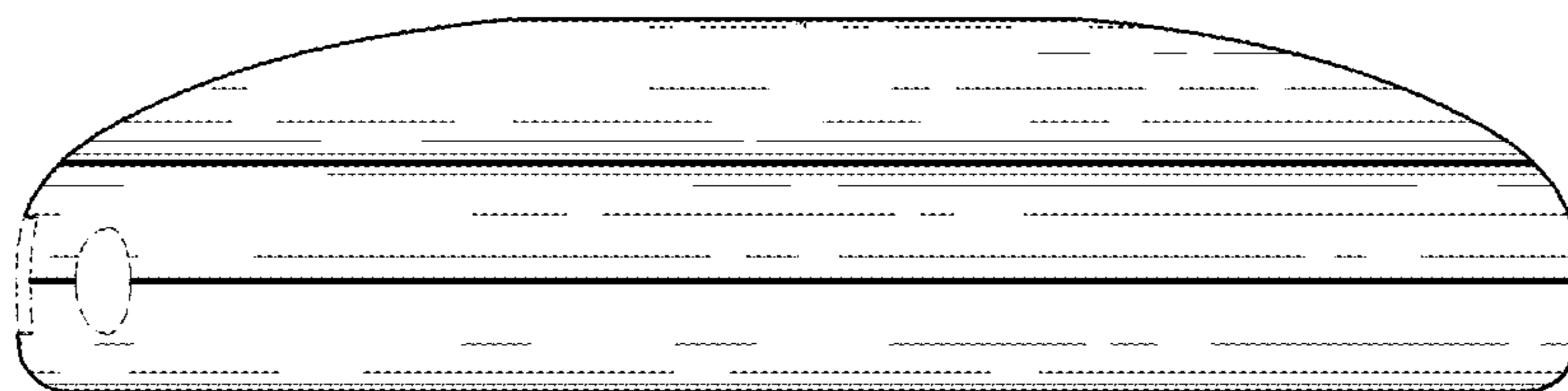
*Fig. 4*



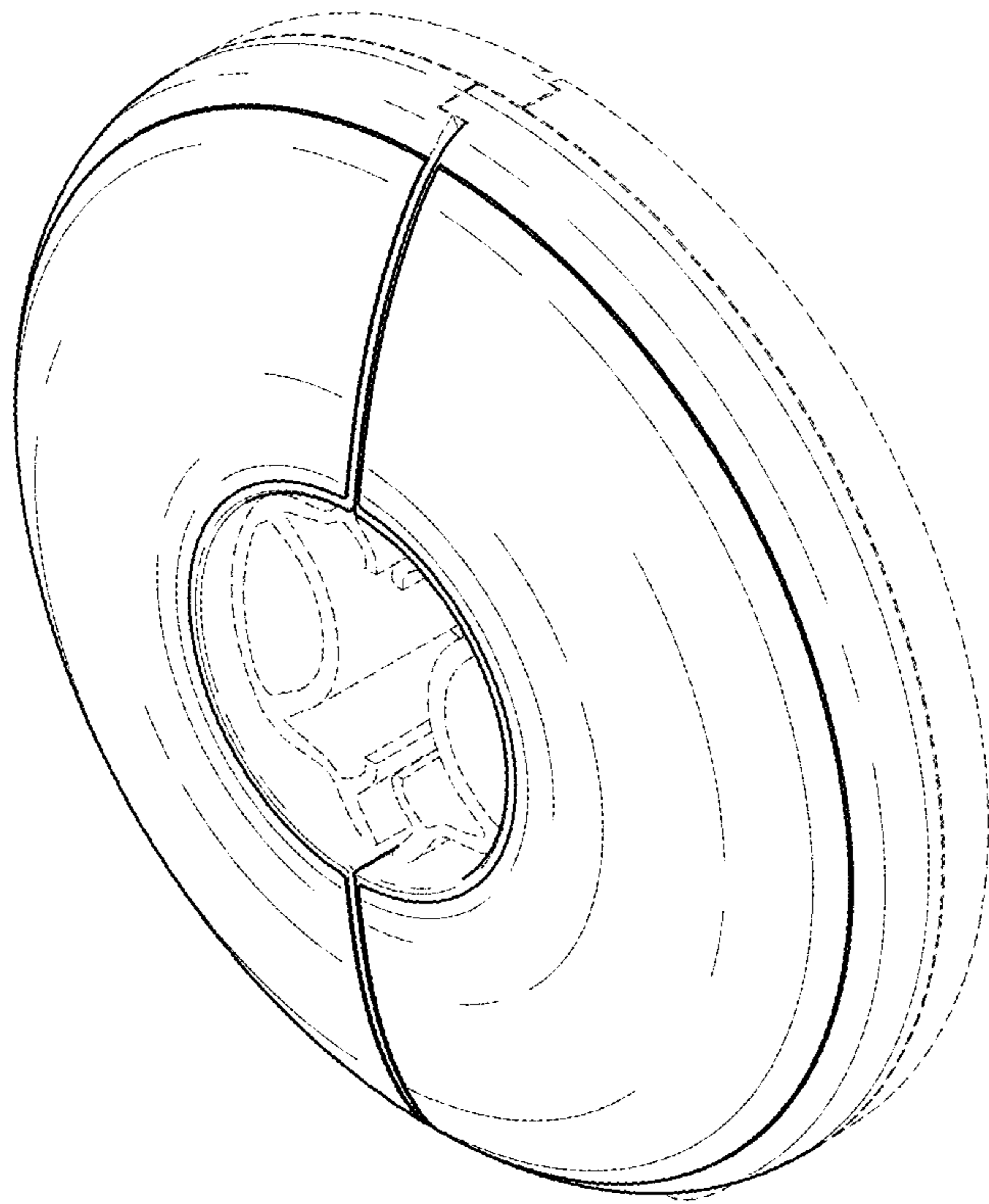
*Fig. 5*



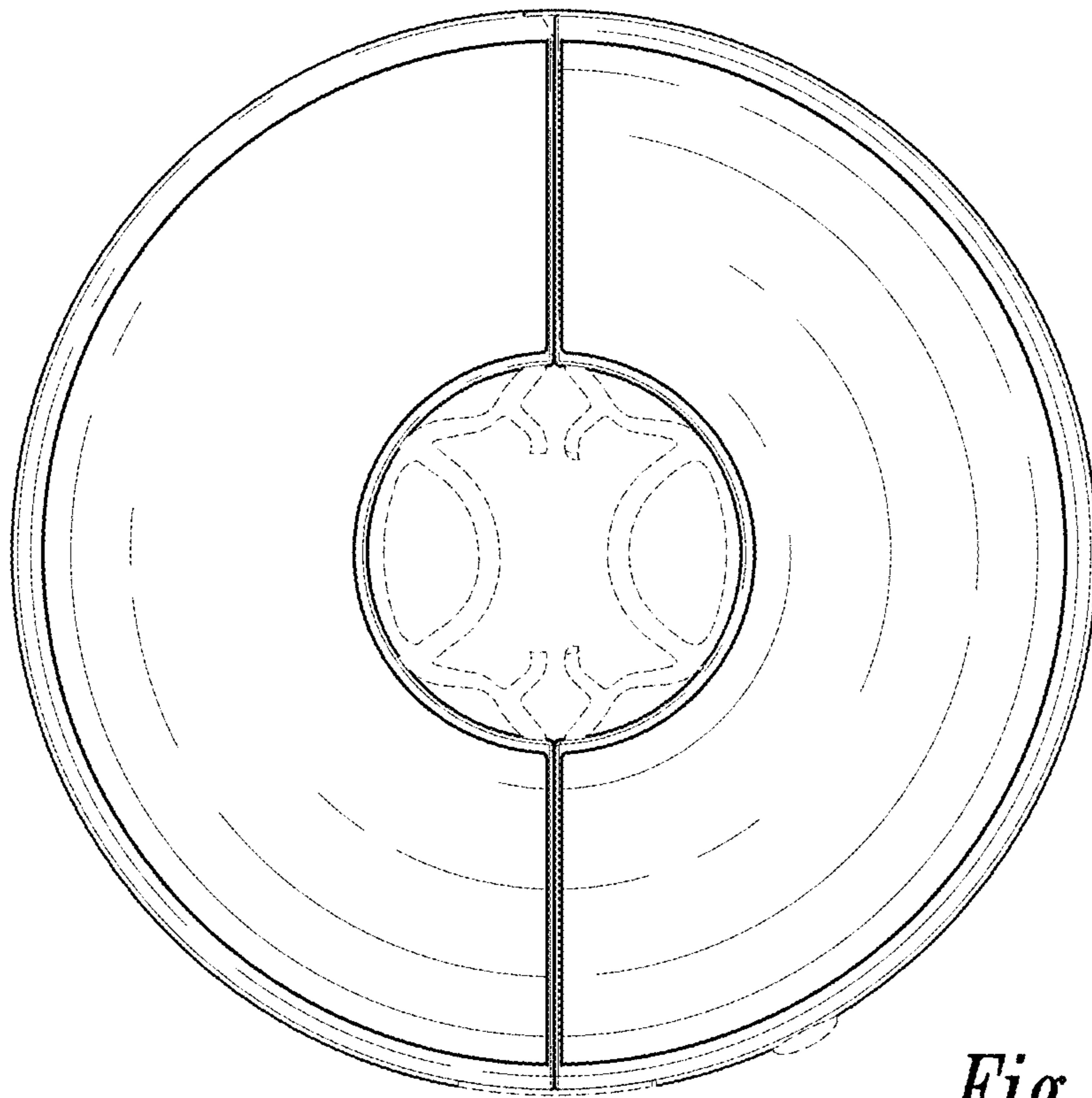
*Fig. 6*



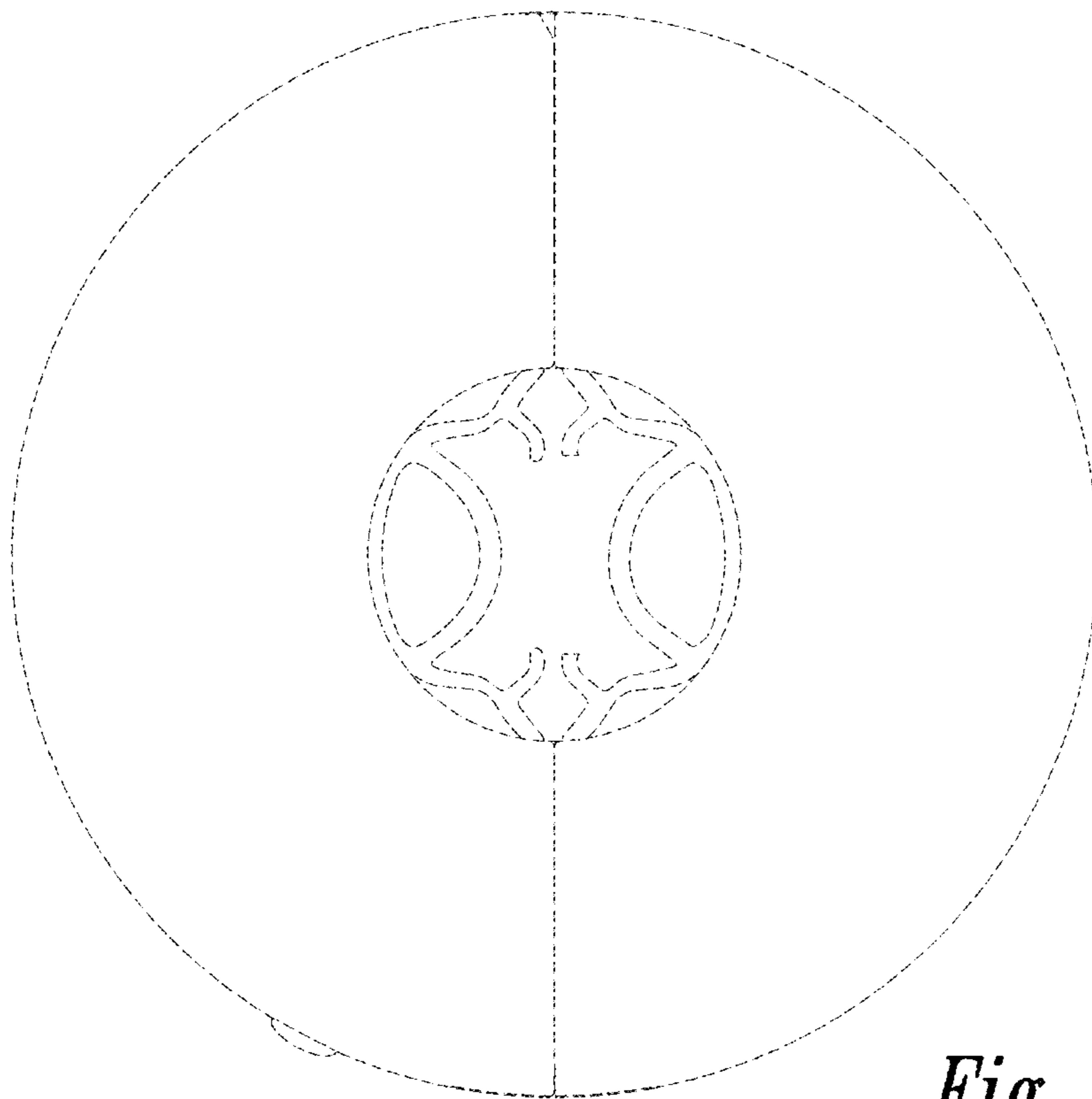
*Fig. 7*



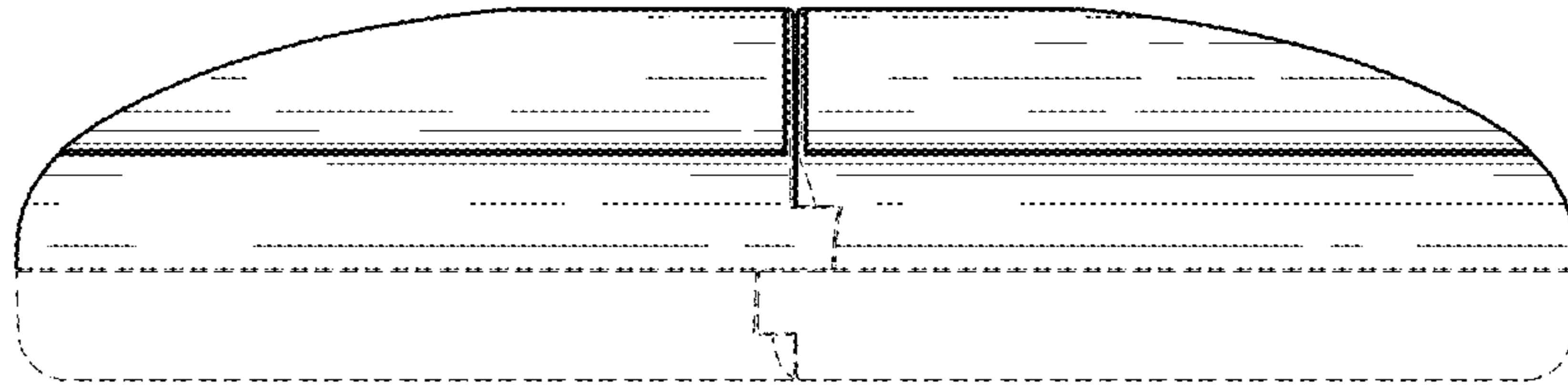
*Fig. 8*



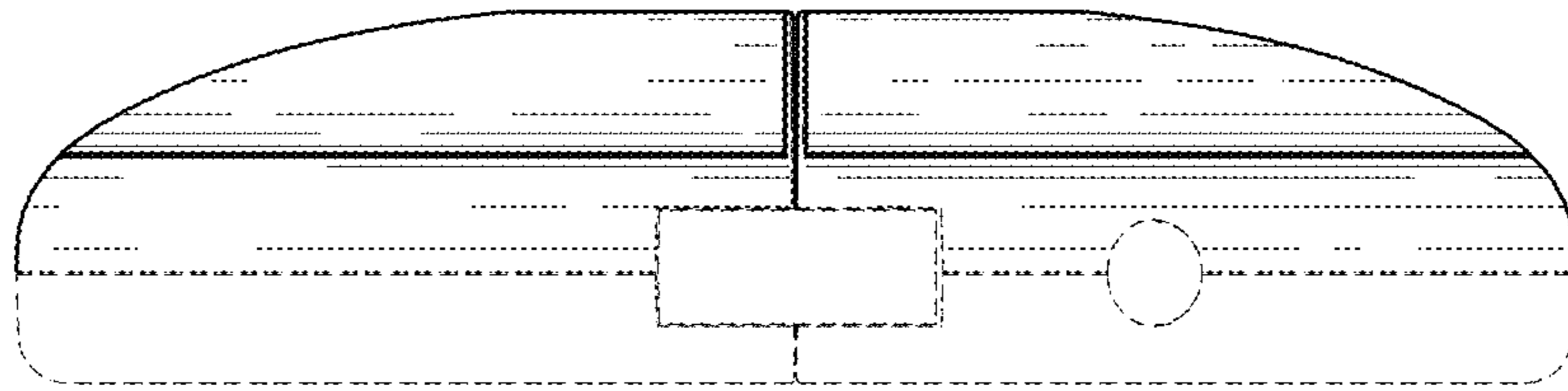
*Fig. 9*



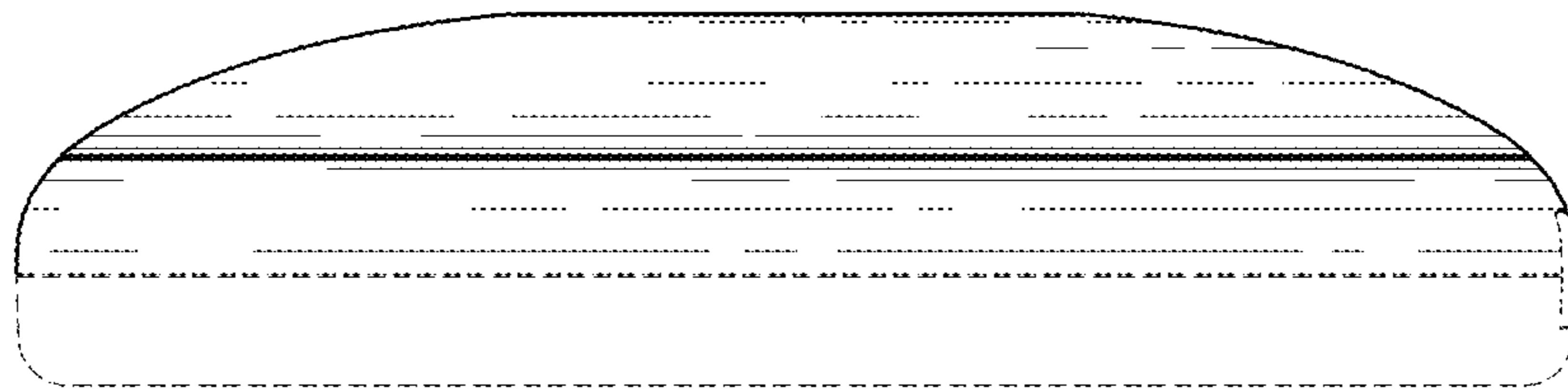
*Fig. 10*



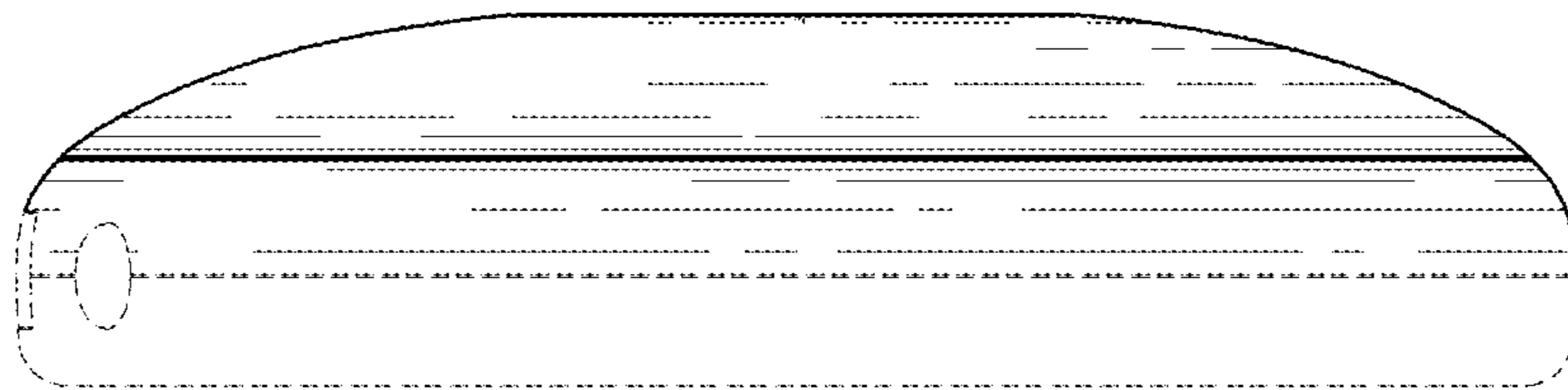
*Fig. 11*



*Fig. 12*



*Fig. 13*



*Fig. 14*