



US00D936264S

(12) **United States Design Patent** (10) **Patent No.:** **US D936,264 S**
Gordin et al. (45) **Date of Patent:** **** Nov. 16, 2021**

(54) **LIGHTING FIXTURE WITH NON-REMOTE DRIVER ENCLOSURE**

FOREIGN PATENT DOCUMENTS

(71) Applicant: **Musco Corporation**, Oskaloosa, IA (US)

CN 304876519 * 11/2018
CN 305422729 * 11/2019

(72) Inventors: **Myron Gordin**, Oskaloosa, IA (US); **Kenneth G. Lewis, Jr.**, New Sharon, IA (US); **Chris P. Lickiss**, Newton, IA (US); **Luke C. McKee**, Oskaloosa, IA (US)

OTHER PUBLICATIONS

(73) Assignee: **Musco Corporation**, Oskaloosa, IA (US)

Information _ Musco Lighting Germany GmbH <https://www.musco.com/de/requestinfo/> Aug. 2019 (Year: 2019).*
Gordin, Myron et al., unpublished Pending Design U.S. Appl. No. 29/663,921, Adjustable Lighting Fixture With Wraparound Visor, filed Sep. 20, 2018.
Gordin, Myron et al., unpublished Pending Design U.S. Appl. No. 29/663,922, Adjustable Lighting Fixture With Wraparound Visor, filed Sep. 20, 2018.

(**) Term: **15 Years**

(Continued)

(21) Appl. No.: **29/712,803**

Primary Examiner — Leanne Was-Englehart

(22) Filed: **Nov. 12, 2019**

(74) *Attorney, Agent, or Firm* — Jessica R. Boer

(51) **LOC (13) Cl.** **26-03**

(57) **CLAIM**

(52) **U.S. Cl.**

The ornamental design for a lighting fixture with non-remote driver enclosure, as shown and described.

USPC **D26/63**

DESCRIPTION

(58) **Field of Classification Search**

USPC D26/61, 63, 64, 65
CPC F21V 17/02; F21V 21/28; F21V 21/26; F21V 21/06; F21V 21/00; F21V 29/673; F21V 29/74; F21V 23/003; F21V 23/0471; F21V 5/04; F21W 2131/30; F21W 2131/10; F21S 8/024; F21S 6/003; F21S 8/003; F21S 6/00; F21S 8/00
See application file for complete search history.

FIG. 1 is a top front perspective view of the lighting fixture with non-remote driver enclosure;
FIG. 2 is a bottom front perspective view of the lighting fixture with non-remote driver enclosure;
FIG. 3 is a front elevation of FIG. 1;
FIG. 4 is a back elevation of FIG. 1;
FIG. 5 is a right side elevation of FIG. 1;
FIG. 6 is a left side elevation of FIG. 1;
FIG. 7 is a top plan view of FIG. 1; and,
FIG. 8 is a bottom plan view of FIG. 1.

(56) **References Cited**

U.S. PATENT DOCUMENTS

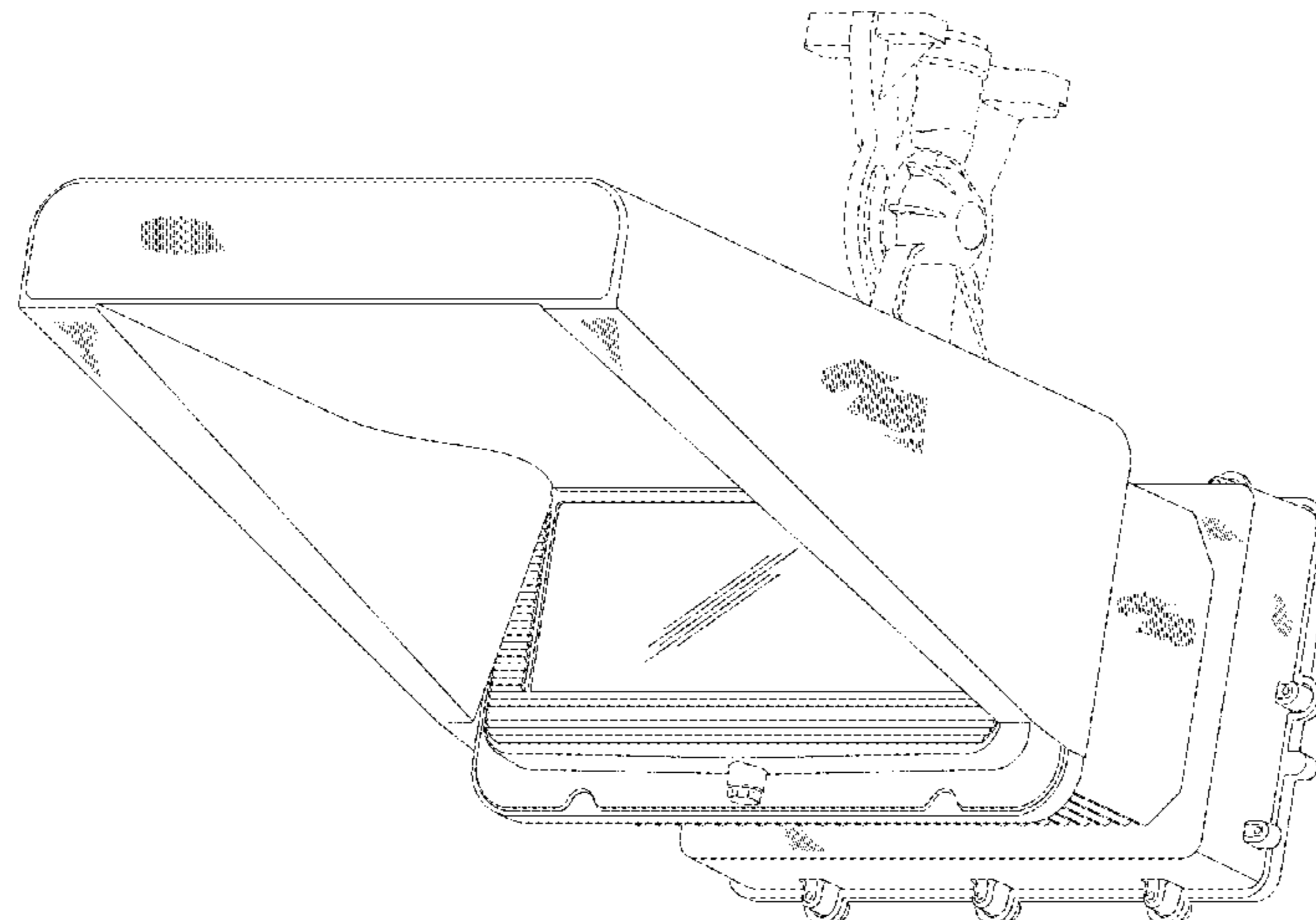
D391,382 S * 2/1998 Rahn D26/63
D411,025 S * 6/1999 Rahn D26/63
D664,695 S * 7/2012 Herberholt D26/63
8,789,967 B2 * 7/2014 Gordin F21V 21/00
362/223
D771,854 S * 11/2016 Gordin D26/63
D808,053 S * 1/2018 Gordin D26/63
D841,854 S * 2/2019 Gordin D26/63

The broken lines shown in the drawings of FIGS. 1-7 illustrating unclaimed portions of a knuckle of the lighting fixture with non-remote driver enclosure form no part of the claimed design.

The broken lines shown in the drawings of FIGS. 2, 3, 5, 6, 8 illustrating unclaimed portions of a vent of the lighting fixture with non-remote driver enclosure form no part of the claimed design.

(Continued)

1 Claim, 8 Drawing Sheets



(56)

References Cited

U.S. PATENT DOCUMENTS

D841,855 S * 2/2019 Gordin D26/63
D841,856 S * 2/2019 Gordin D26/63
10,267,495 B1 * 4/2019 Boiragi F21V 11/00
D873,462 S * 1/2020 Gordin D26/63
D880,035 S * 3/2020 Gordin D26/63
D882,141 S * 4/2020 Gordin D26/63
D882,850 S * 4/2020 Gordin D26/63
D882,860 S * 4/2020 Gordin D26/118
D892,375 S * 8/2020 Gordin D26/63
D892,376 S * 8/2020 Gordin D26/63
2016/0305640 A1 * 10/2016 Brown F21V 29/74
2016/0320046 A1 * 11/2016 Duckworth F21V 21/108
2017/0138579 A1 * 5/2017 Kuti H05B 47/115
2019/0178485 A1 * 6/2019 Ladewig F21S 2/00

OTHER PUBLICATIONS

Gordin, Myron et al., unpublished Pending Design U.S. Appl. No. 29/663,925, Adjustable Lighting Fixture With Wraparound Visor, filed Sep. 20, 2018.
Gordin, Myron et al., unpublished Pending Design U.S. Appl. No. 29/663,932, Adjustable Lighting Fixture With Wraparound Visor, filed Sep. 20, 2018.
Gordin, Myron et al., unpublished Pending Design U.S. Appl. No. 29/663,936, Adjustable Lighting Fixture With Wraparound Visor, filed Sep. 20, 2018.
Gordin, Myron et al., unpublished Pending Design U.S. Appl. No. 29/663,939, Adjustable Lighting Fixture With Wraparound Visor, filed Sep. 20, 2018.

* cited by examiner

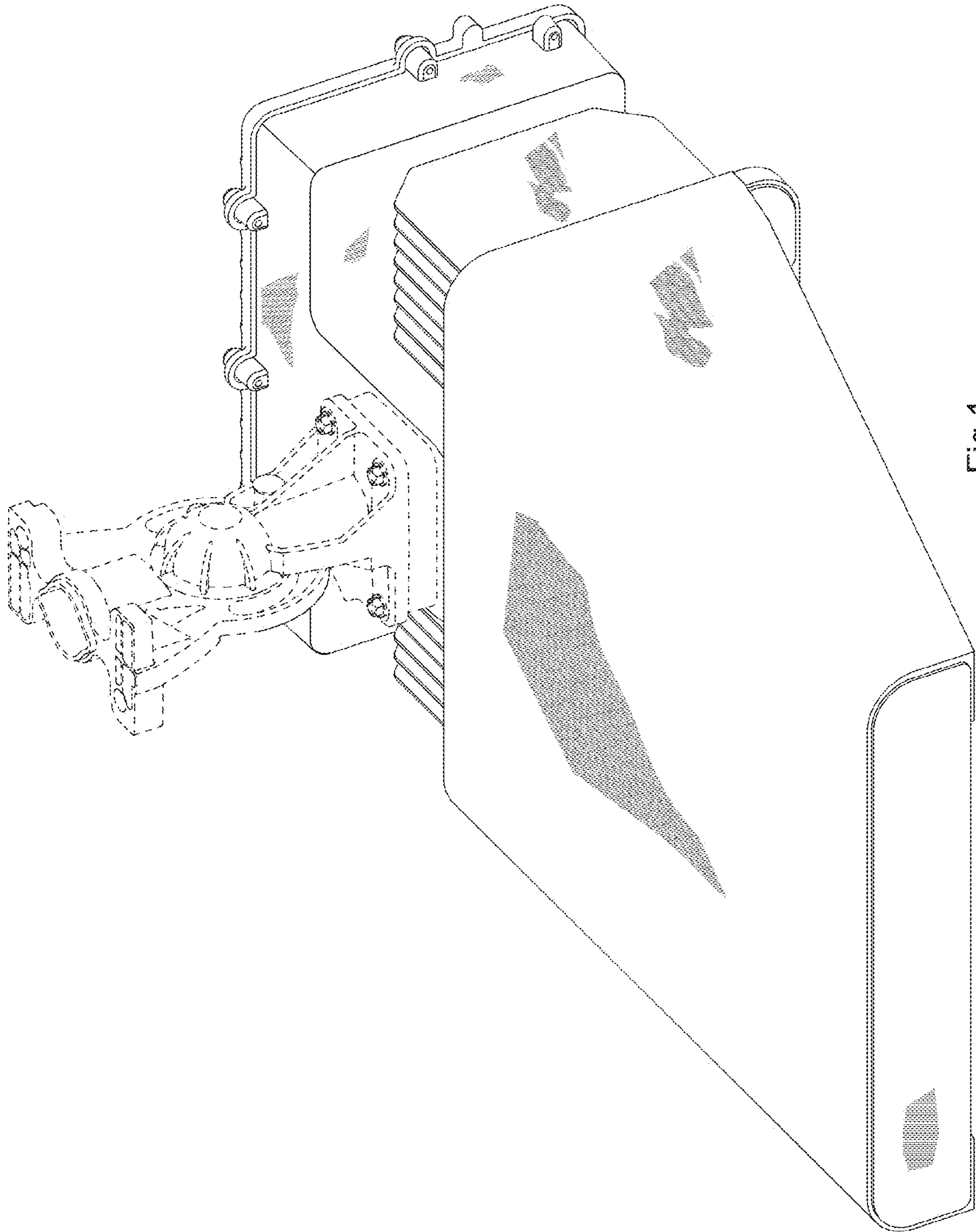


Fig 1

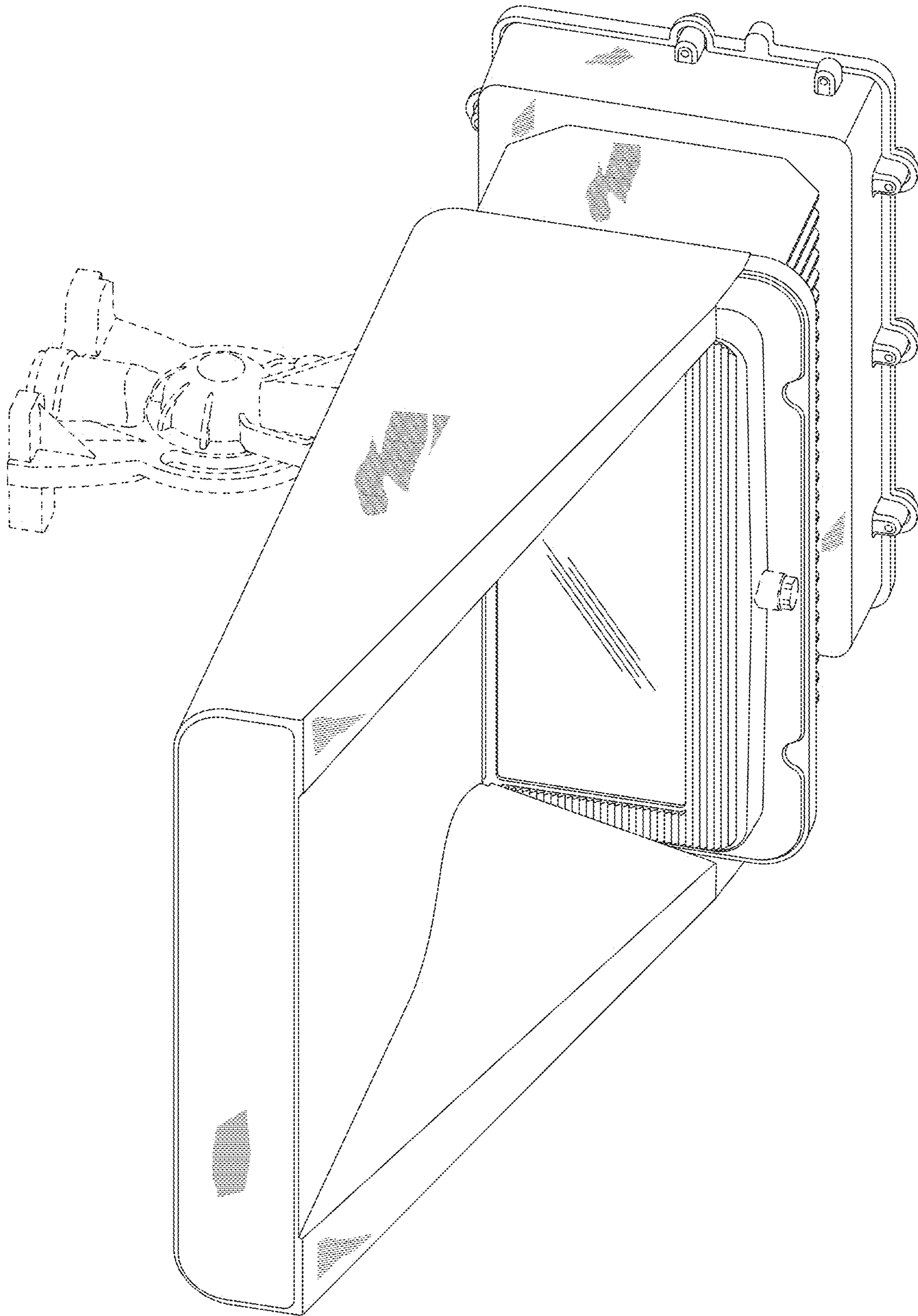


Fig 2

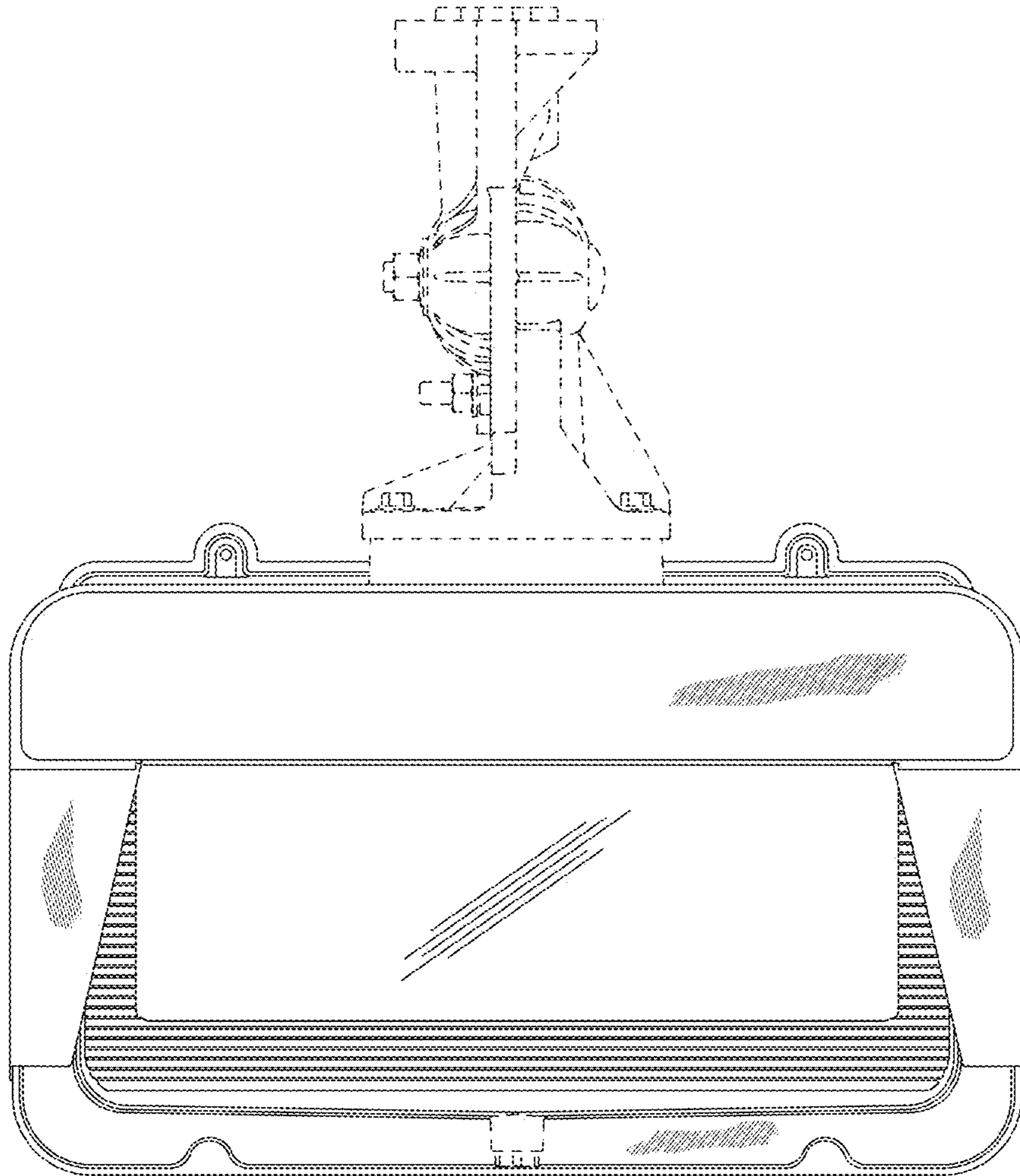


Fig 3

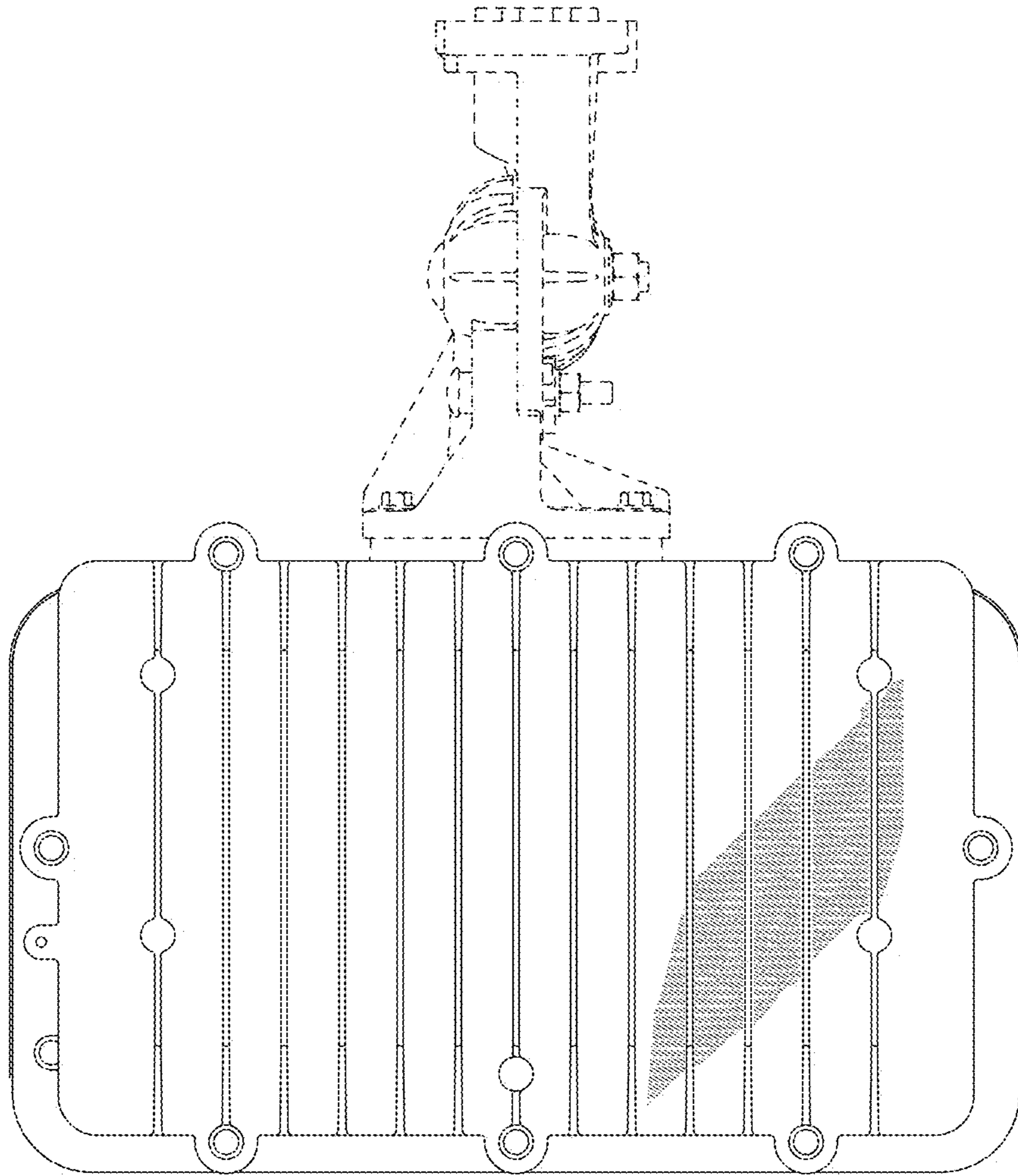


Fig 4

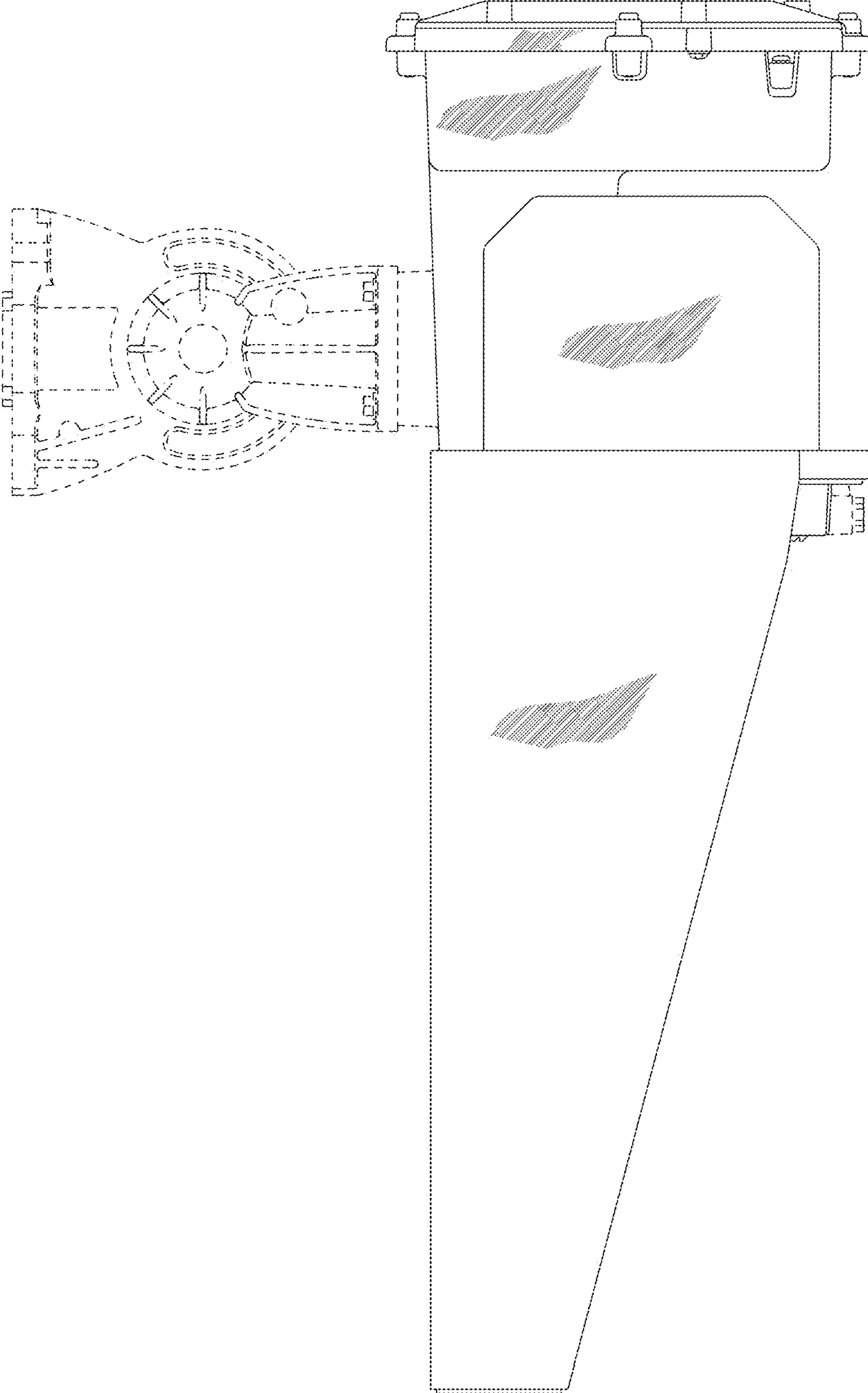


Fig 5

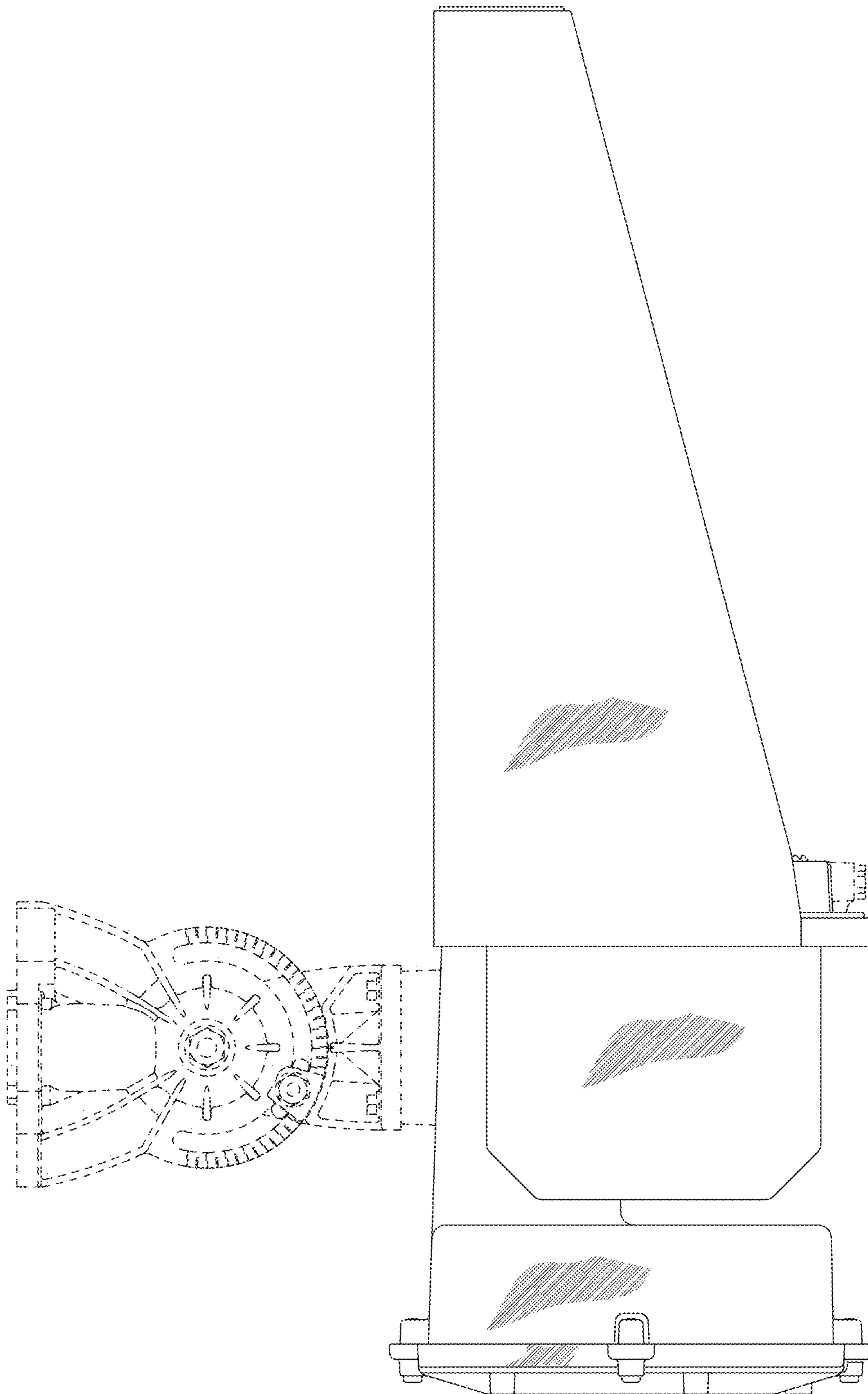


Fig 6

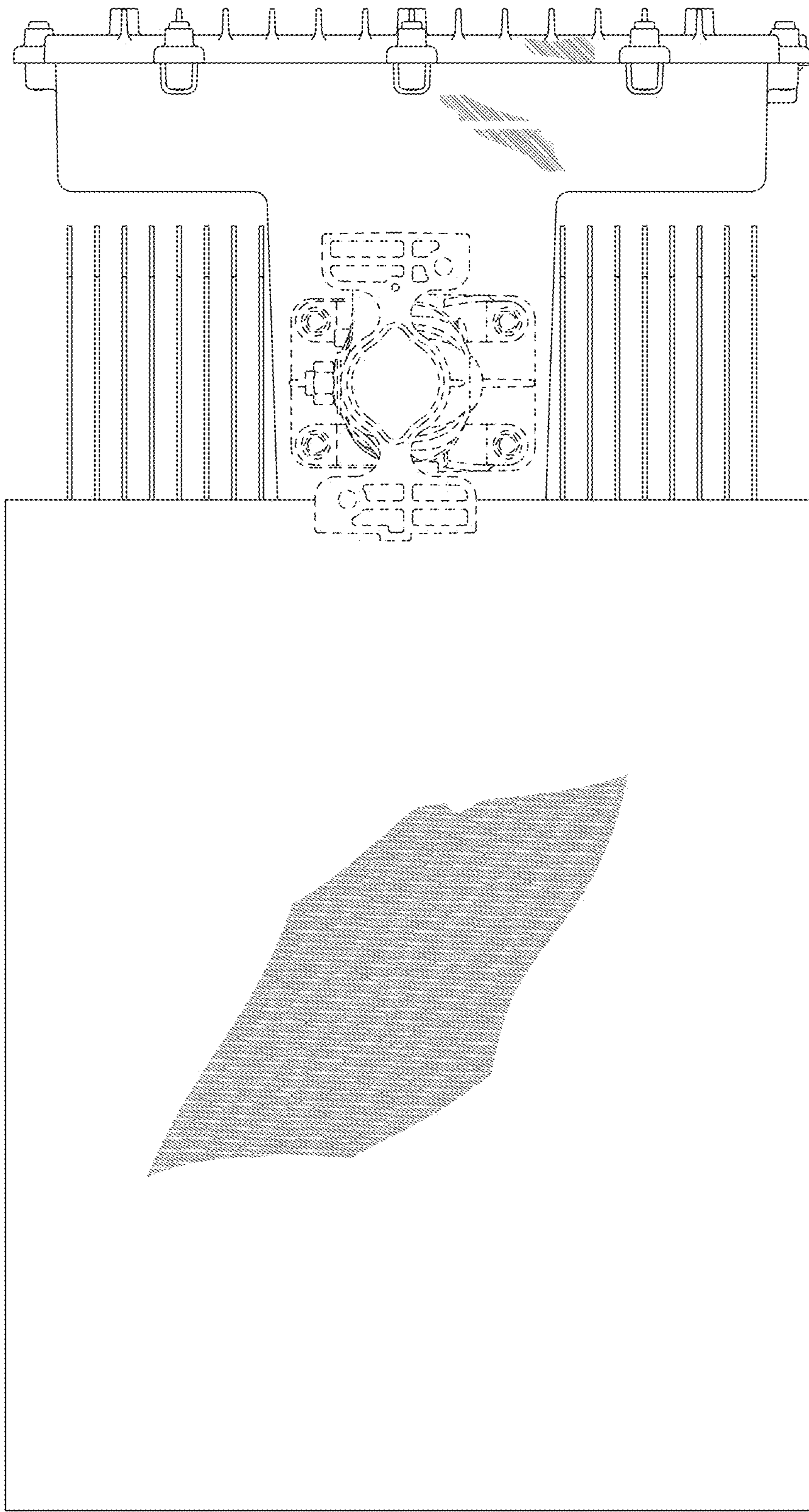


Fig 7

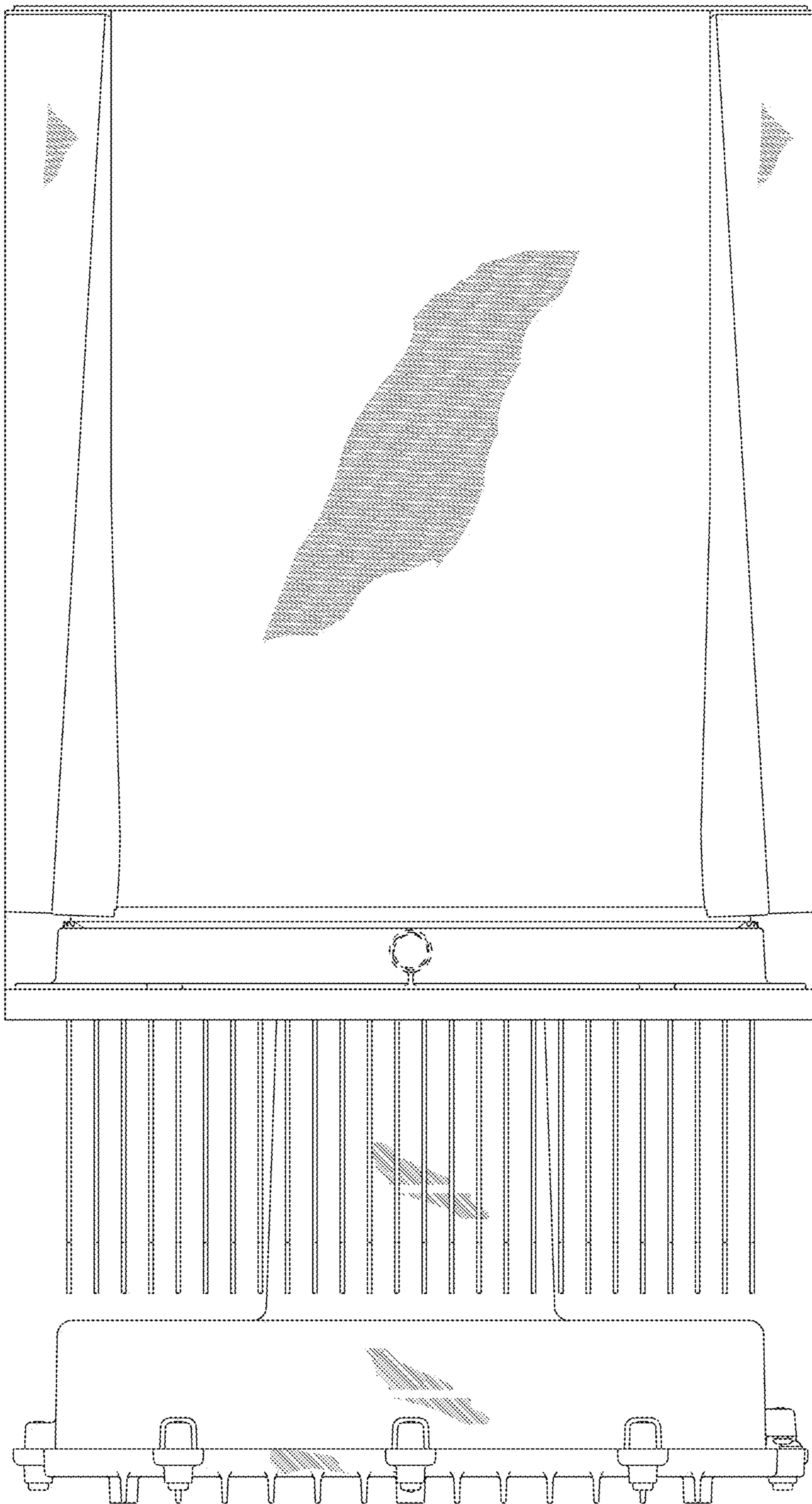


Fig 8