



US00D936262S

(12) **United States Design Patent**
Vargas et al.

(10) **Patent No.:** **US D936,262 S**

(45) **Date of Patent:** **** Nov. 16, 2021**

- (54) **SQUARE HALO LIGHT FIXTURE**
- (71) Applicants: **John Vargas**, West New York, NJ (US);
Anabel Vargas, West New York, NJ (US)
- (72) Inventors: **John Vargas**, West New York, NJ (US);
Anabel Vargas, West New York, NJ (US)

- D509,618 S * 9/2005 Baarman D26/106
- D549,859 S * 8/2007 Kovacik D26/37
- D597,238 S * 7/2009 Lu D16/135
- D619,287 S * 7/2010 Liu D26/62
- D623,331 S * 9/2010 Rotwitt D26/63
- D636,513 S * 4/2011 Furtsch D26/51
- D675,366 S * 1/2013 Alessandro D26/107
- D773,105 S * 11/2016 Feit D26/106
- D827,180 S * 8/2018 Mou D26/72
- D835,317 S * 12/2018 Edgar D26/51

(Continued)

(**) Term: **15 Years**

Primary Examiner — Michelle E. Wilson

(21) Appl. No.: **29/698,693**

(57) **CLAIM**

(22) Filed: **Jul. 18, 2019**

The ornamental design for a square halo light fixture, as shown and described.

Related U.S. Application Data

DESCRIPTION

(63) Continuation-in-part of application No. 29/698,690, filed on Jul. 18, 2019, and a continuation-in-part of application No. 15/331,740, filed on Oct. 21, 2016, now Pat. No. 10,398,213.

(51) **LOC (13) Cl.** **26-05**

(52) **U.S. Cl.**
USPC **D26/56**

(58) **Field of Classification Search**
USPC D26/37–51
CPC F21L 2003/00; F21L 4/00; F21L 4/005;
F21L 4/02; F21L 4/025; F21L 4/027;
F21L 4/04; F21L 4/08; F21L 2005/00;
F21L 7/00; F21L 11/00; F21L 13/00;
F21L 13/04; F21L 13/08; F21L 14/02;
F21L 17/00; F21L 19/00; F21L 25/00
See application file for complete search history.

FIG. 1 is a top-front-left perspective view of a square halo light fixture showing my new design;
FIG. 2 is a bottom-rear-right perspective view thereof;
FIG. 3 is a front elevational view thereof;
FIG. 4 is a rear elevational view thereof;
FIG. 5 is a top plan view thereof;
FIG. 6 is a bottom plan view thereof;
FIG. 7 is a left elevational view thereof;
FIG. 8 is a right elevational view thereof;
FIG. 9 is a top-front-left perspective view thereof, wherein the square halo light fixture has been outfitted with peripheral equipment; and,
FIG. 10 is a bottom-rear-right perspective view thereof, wherein the square halo light fixture has been outfitted with peripheral equipment.

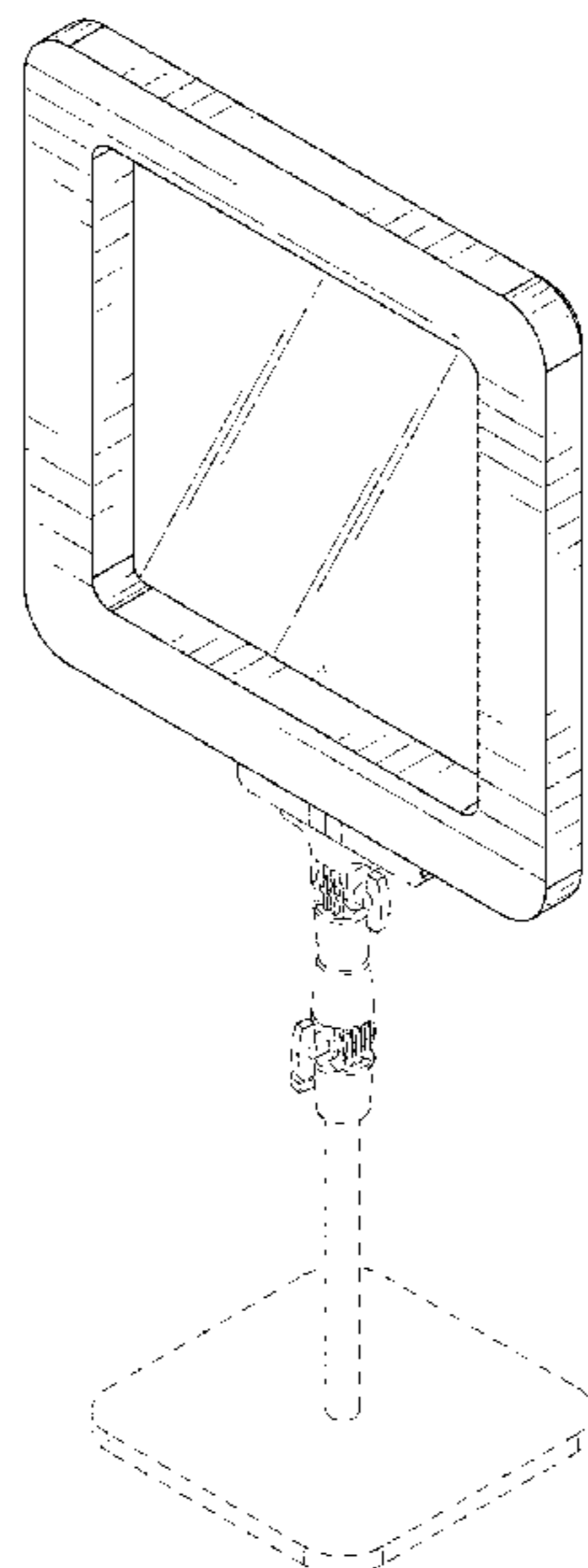
(56) **References Cited**

U.S. PATENT DOCUMENTS

- D342,801 S * 12/1993 Poon D26/45
- D397,234 S * 8/1998 Huang D26/63
- D477,889 S * 7/2003 Coles D26/47
- D505,219 S * 5/2005 Jacquelin D26/51

The dashed line showing a perforation in FIGS. 1, 3, and 9; vents and compartments in FIGS. 2, 4, and 10; a stand in FIGS. 9 and 10; a mounting point in FIG. 5; and a phone, phone support, operator controls, and outlets in FIG. 10 is included for the purpose of illustrating environmental structure and forms no part of the claimed design.

1 Claim, 10 Drawing Sheets



(56)

References Cited

U.S. PATENT DOCUMENTS

D838,397	S	*	1/2019	Calisi	D26/51
D853,613	S	*	7/2019	Lien	D26/63
D854,227	S	*	7/2019	Yu	D26/106
D854,605	S	*	7/2019	Fook	D16/244
D855,242	S	*	7/2019	Chen	D26/106
D855,871	S	*	8/2019	Ma	D26/107
D860,485	S	*	9/2019	Yu	D26/24
D860,495	S	*	9/2019	Waldmann	D26/65
D868,139	S	*	11/2019	Zhou	D16/239
D869,719	S	*	12/2019	Liu	D26/61
D872,348	S	*	1/2020	Liu	D26/106
D873,328	S	*	1/2020	Shen	D16/239
D877,392	S	*	3/2020	Yu	D26/79
D880,048	S	*	3/2020	Zhu	D26/106
D885,769	S	*	6/2020	Wang	D6/309
D887,052	S	*	6/2020	Xu	D26/39

* cited by examiner

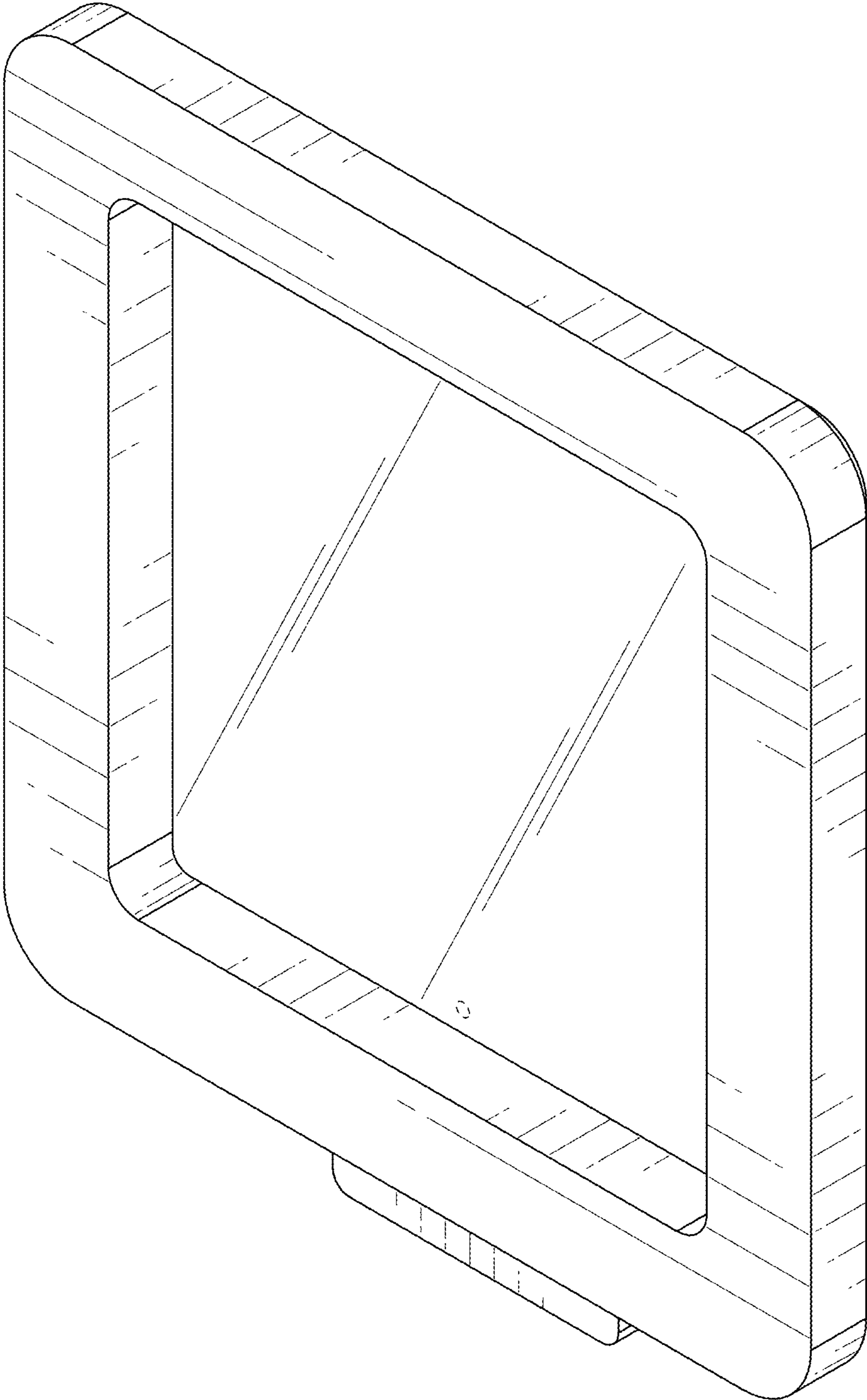


FIG. 1

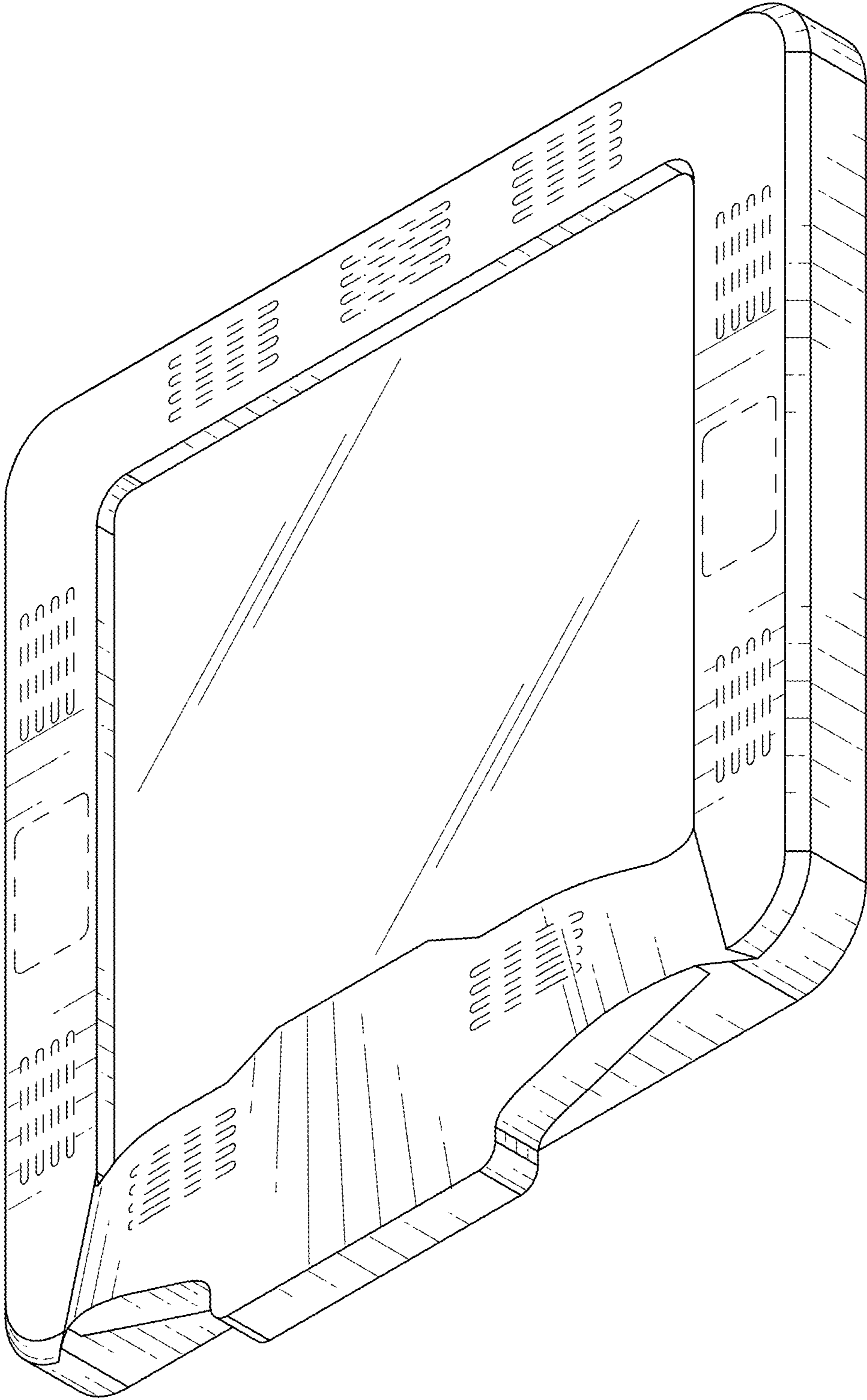


FIG. 2

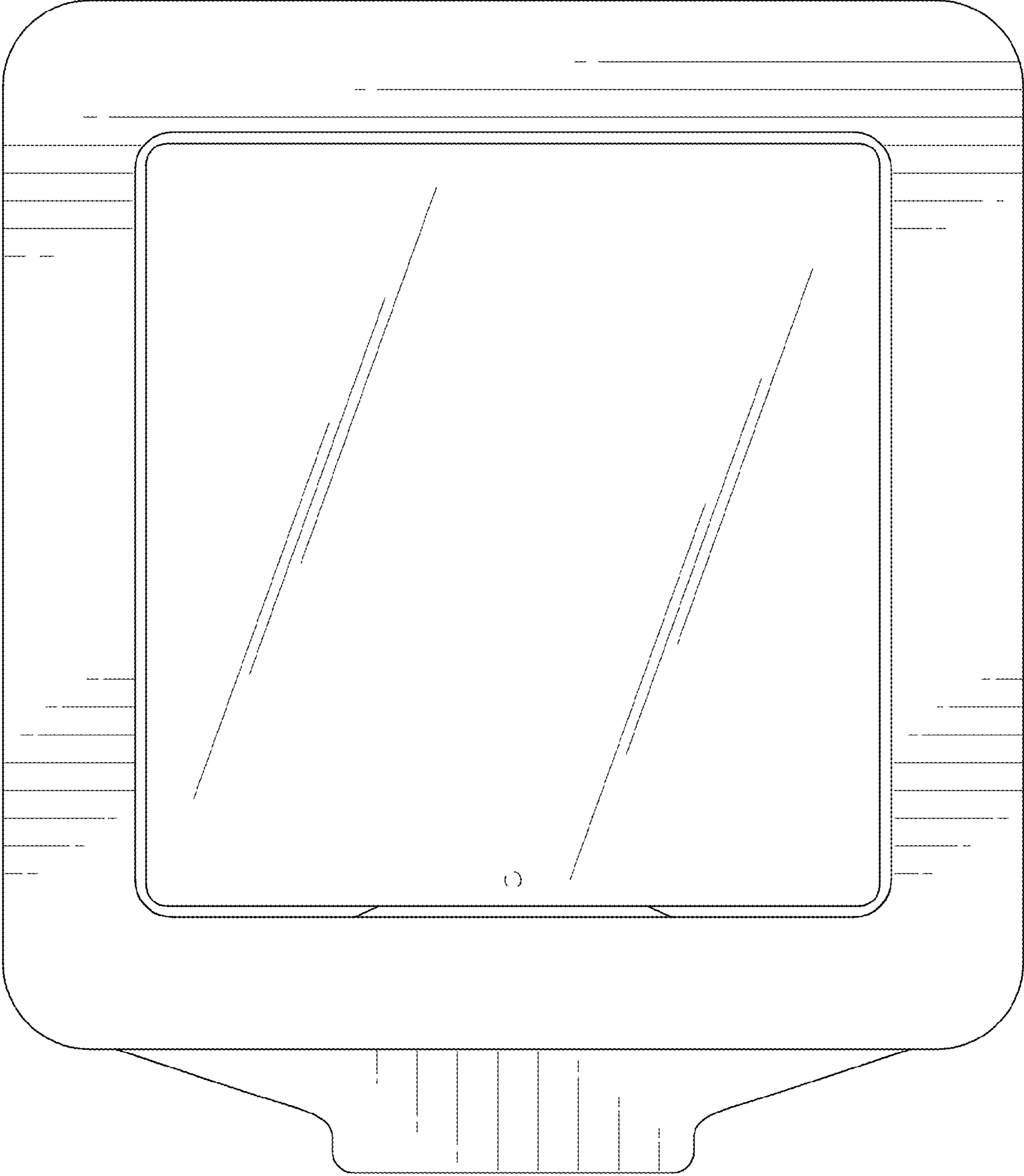


FIG. 3

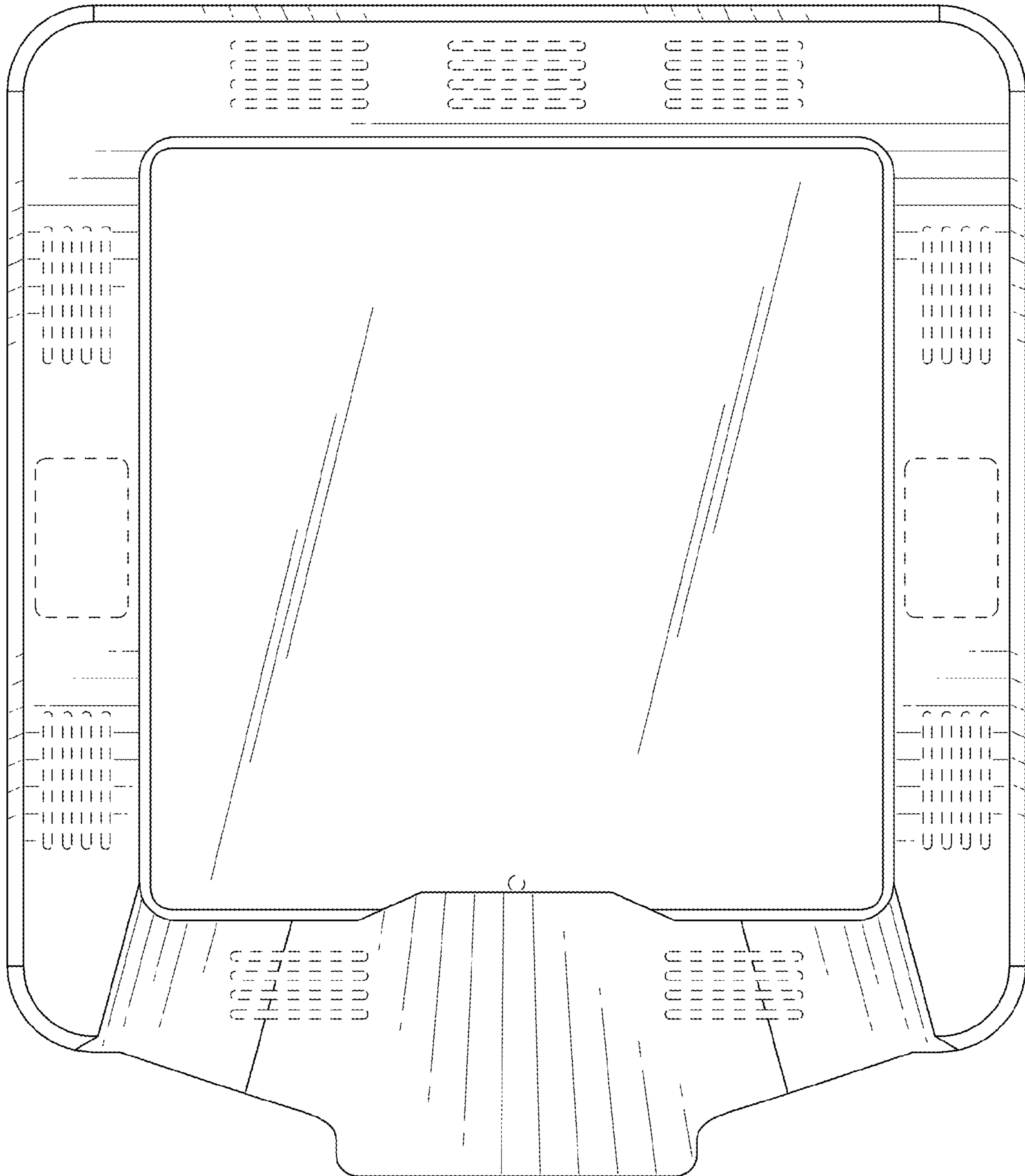


FIG. 4

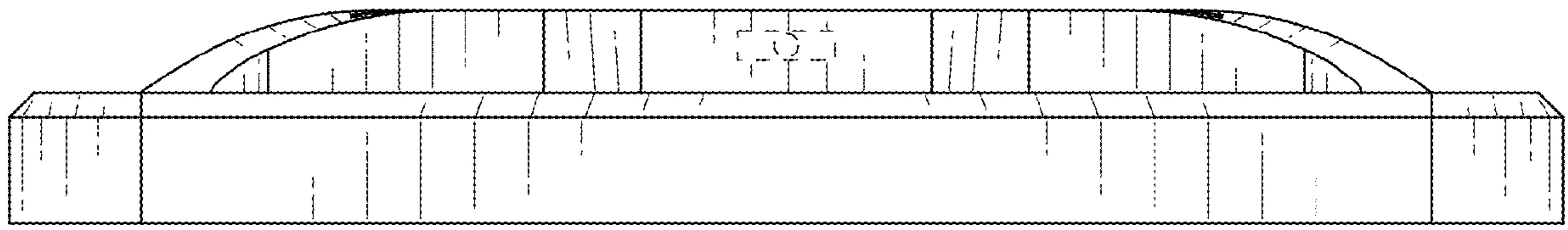


FIG. 5

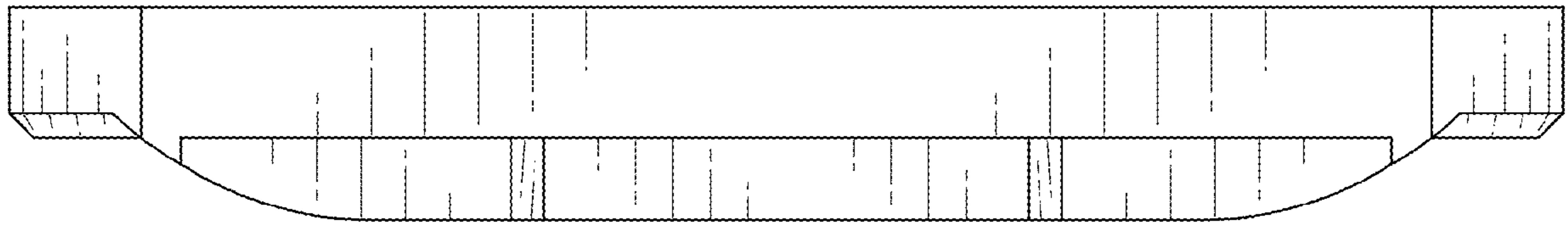


FIG. 6

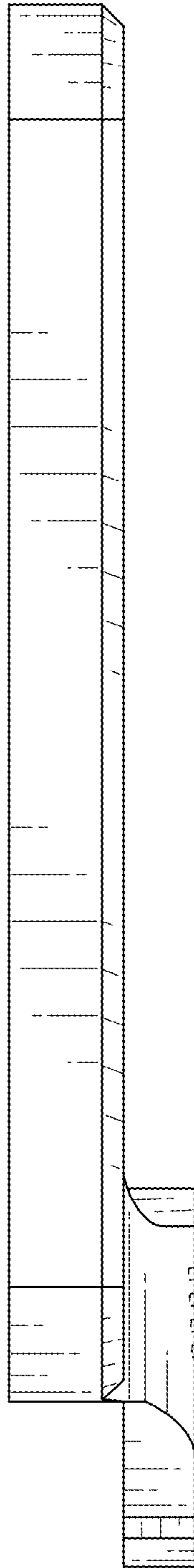


FIG. 7

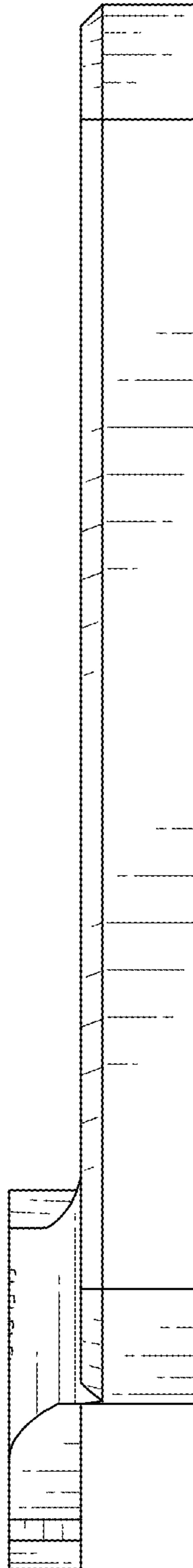


FIG. 8

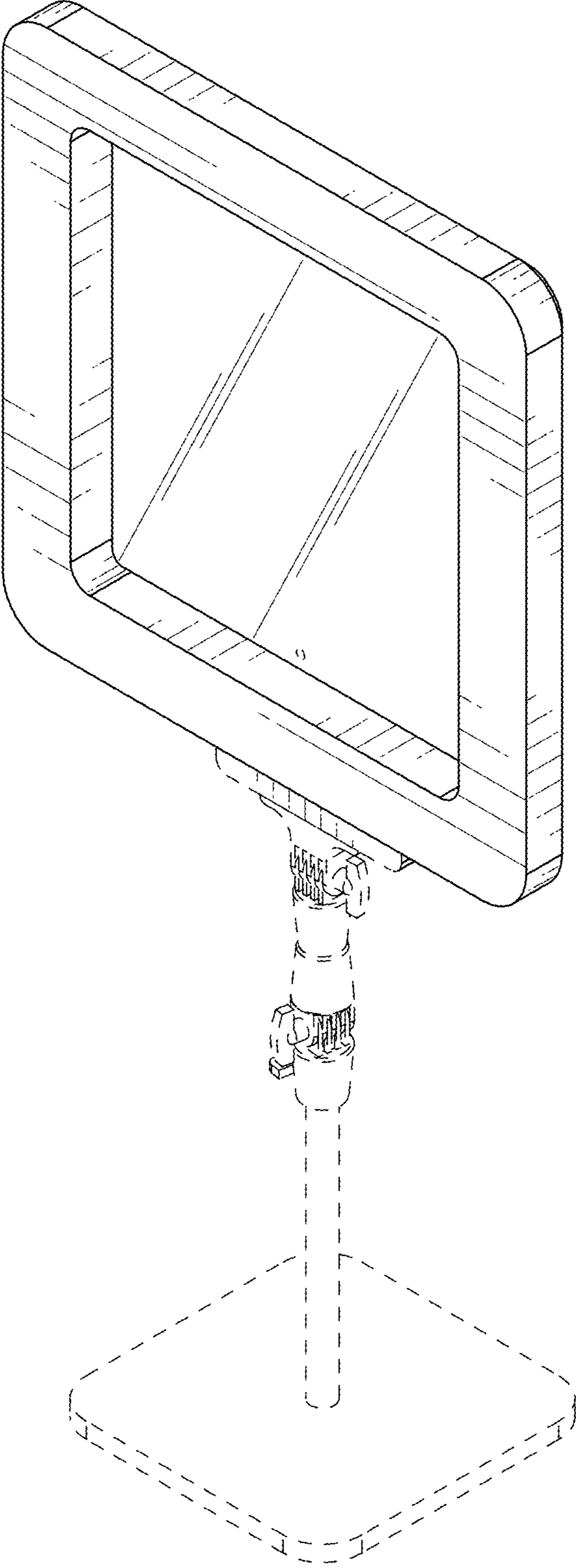


FIG. 9

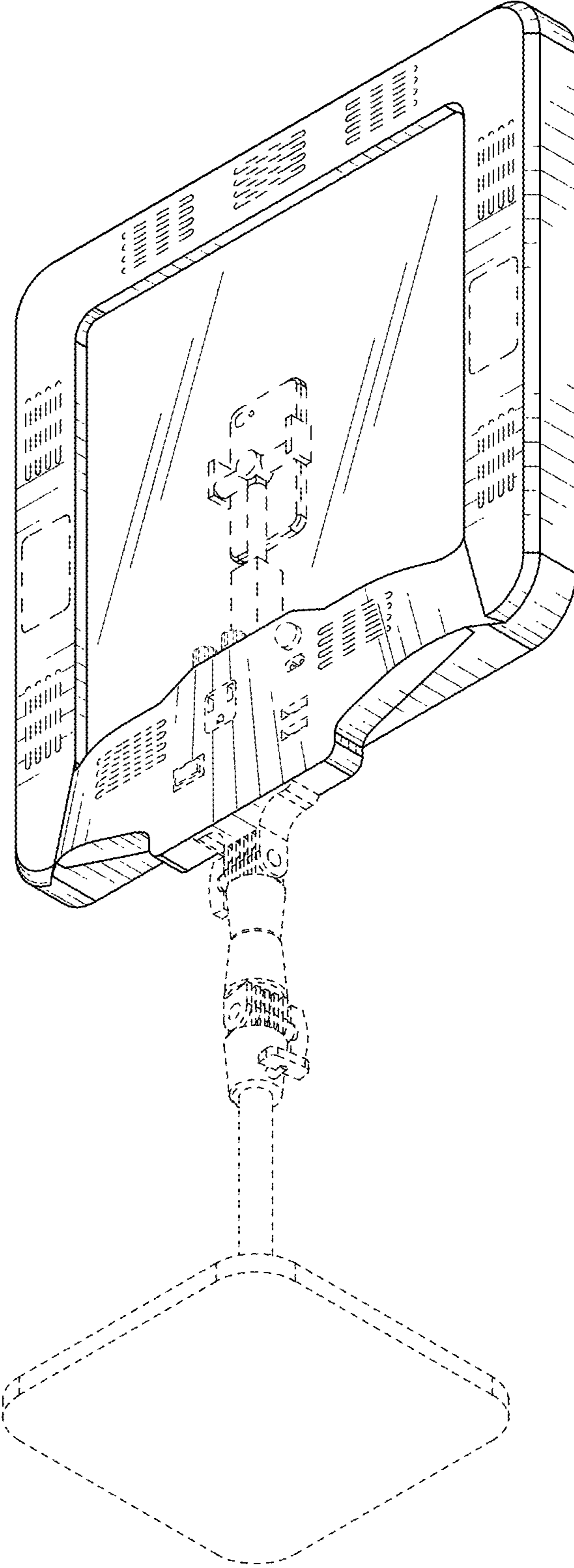


FIG. 10