

US00D936260S

(12) **United States Design Patent** (10) **Patent No.:** **US D936,260 S**
Galli (45) **Date of Patent:** **** Nov. 16, 2021**

(54) **FLASHLIGHT**
(71) Applicant: **Emissive Energy Corp.**, North Kingstown, RI (US)
(72) Inventor: **Robert D. Galli**, North Kingstown, RI (US)
(73) Assignee: **Emissive Energy Corp.**, North Kingstown, RI (US)

D455,510 S * 4/2002 Galli D26/37
D473,961 S * 4/2003 Galli D26/49
D476,103 S * 6/2003 Galli D26/37
6,622,416 B2 9/2003 Kim
D495,078 S * 8/2004 Galli D26/49
D501,054 S * 1/2005 Galli D26/37
D557,839 S * 12/2007 Shiu D26/37

(Continued)

(**) Term: **15 Years**

(21) Appl. No.: **29/705,298**

(22) Filed: **Sep. 11, 2019**

Related U.S. Application Data

(63) Continuation of application No. 16/458,776, filed on Jul. 1, 2019, now Pat. No. 11,067,363, which is a continuation-in-part of application No. 16/210,838, filed on Dec. 5, 2018, now Pat. No. 10,634,455, which is a continuation-in-part of application No. 15/607,451, filed on May 27, 2017, now Pat. No. 10,151,564.

(51) **LOC (13) Cl.** **26-02**

(52) **U.S. Cl.**
USPC **D26/46; D22/108**

(58) **Field of Classification Search**
USPC D26/37-51
CPC F21L 2003/00; F21L 4/005; F21L 4/025; F21L 4/027; F21L 4/04; F21L 4/08; F21L 13/00; F21L 13/08; F21L 14/02; F21L 19/00; F21L 2/00; F21L 4/00-4/085; F21L 15/00-15/14; F21L 2001/00; F21L 2005/00; F21L 25/00; F41G 11/003; F41G 1/35

See application file for complete search history.

(56) **References Cited**

U.S. PATENT DOCUMENTS

5,584,137 A 12/1996 Teetzel
D442,307 S * 5/2001 Parker D26/49

FOREIGN PATENT DOCUMENTS

CN 303311233 * 7/2015

OTHER PUBLICATIONS

New Inforce 9 Zero Weapon-Mounted Light Recoil Offgrid <https://www.offgridweb.com/gear/new-inforce-9-zero-weapon-mounted-light/> Nov. 19, 2019 (Year: 2019).*

Primary Examiner — Leanne Was-Englehart
(74) *Attorney, Agent, or Firm* — Barlow, Josephs & Holmes, Ltd.; Stephen J. Holmes

(57) **CLAIM**

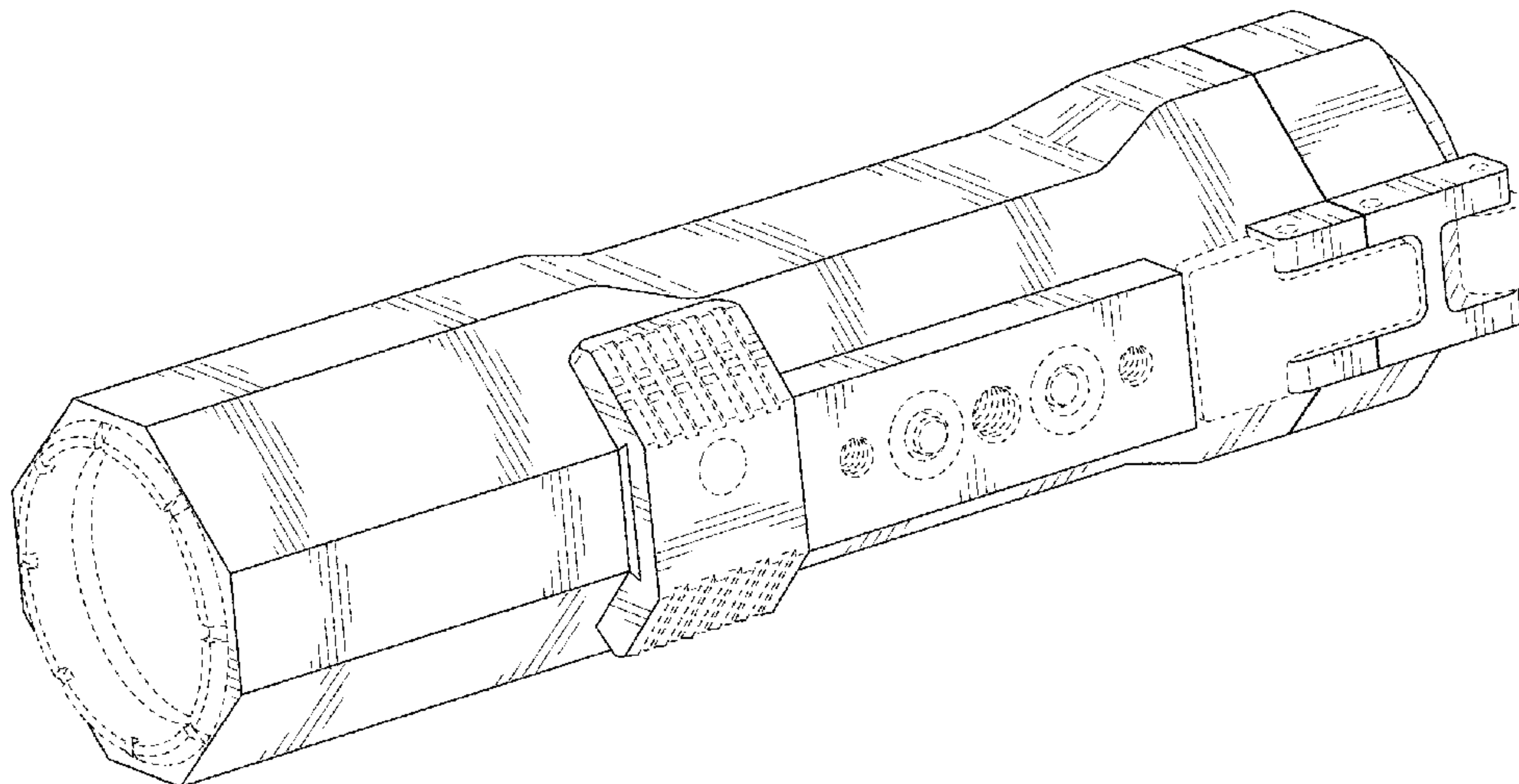
The ornamental design for a flashlight, as shown and described.

DESCRIPTION

FIG. 1 is a perspective view of a flashlight in accordance with the present design;
FIG. 2 is another perspective view thereof;
FIG. 3 is still another perspective view thereof;
FIG. 4 is a front view thereof;
FIG. 5 is a rear view thereof;
FIG. 6 is a top view thereof;
FIG. 7 is a bottom view thereof;
FIG. 8 is a right side view thereof; and,
FIG. 9 is a left side view thereof.

The broken lines in the drawings illustrate portions of the flashlight which form no part of the claimed design.

1 Claim, 8 Drawing Sheets



(56)

References Cited

U.S. PATENT DOCUMENTS

7,332,682 B2 2/2008 Kim
 D566,309 S * 4/2008 Kornfeld D26/37
 D583,492 S * 12/2008 Jen D26/40
 D596,771 S * 7/2009 Lee D26/46
 7,581,848 B1 9/2009 Parsons et al.
 D655,026 S * 2/2012 Schrimmer D26/38
 D673,315 S * 12/2012 Milz D26/49
 D682,974 S * 5/2013 Honigmann D22/108
 8,448,368 B2 5/2013 Cabahug et al.
 8,607,492 B2 12/2013 Hartley et al.
 8,727,556 B2 5/2014 Swan
 8,944,626 B2 2/2015 Matthews et al.
 D740,986 S * 10/2015 Hine D26/46
 D743,598 S * 11/2015 Inskeep D26/39
 D767,187 S * 9/2016 Hine D26/49
 D780,356 S * 2/2017 Nguyen D26/49
 9,562,550 B2 2/2017 Swan et al.
 D790,097 S * 6/2017 Port D26/39
 D792,625 S * 7/2017 Koshiba D26/49
 D808,556 S * 1/2018 Patel D26/46
 D811,636 S * 2/2018 Galli D26/49

D818,621 S * 5/2018 Kunzendorf D26/49
 D823,510 S * 7/2018 Kunzendorf D26/49
 D841,849 S * 2/2019 Ladnier D26/38
 D857,268 S * 8/2019 Worman D26/60
 D880,740 S * 4/2020 Galli D26/46
 D881,430 S * 4/2020 Mao D26/37
 D908,182 S * 1/2021 Galli D22/108
 2007/0227056 A1 10/2007 Howe et al.
 2011/0162251 A1 7/2011 Houde-Walter
 2013/0061504 A1 3/2013 Malherbe et al.
 2014/0063791 A1 3/2014 Frazier
 2014/0092588 A1 4/2014 Toman et al.
 2015/0159847 A1 6/2015 Galli et al.
 2015/0316355 A1 11/2015 Boswell
 2016/0010837 A1 * 1/2016 Jigamian F21V 21/0885
 362/418
 2016/0341521 A1 11/2016 Bigby et al.
 2016/0348880 A1 * 12/2016 Galli F21V 21/0885
 2020/0064102 A1 * 2/2020 Galli H05B 45/00
 2020/0109916 A1 * 4/2020 Eichelberger F41G 11/003
 2021/0071990 A1 * 3/2021 Galli F41G 11/003
 2021/0140743 A1 * 5/2021 Chen F41G 1/35
 2021/0239302 A1 * 8/2021 Galli H05B 45/325

* cited by examiner

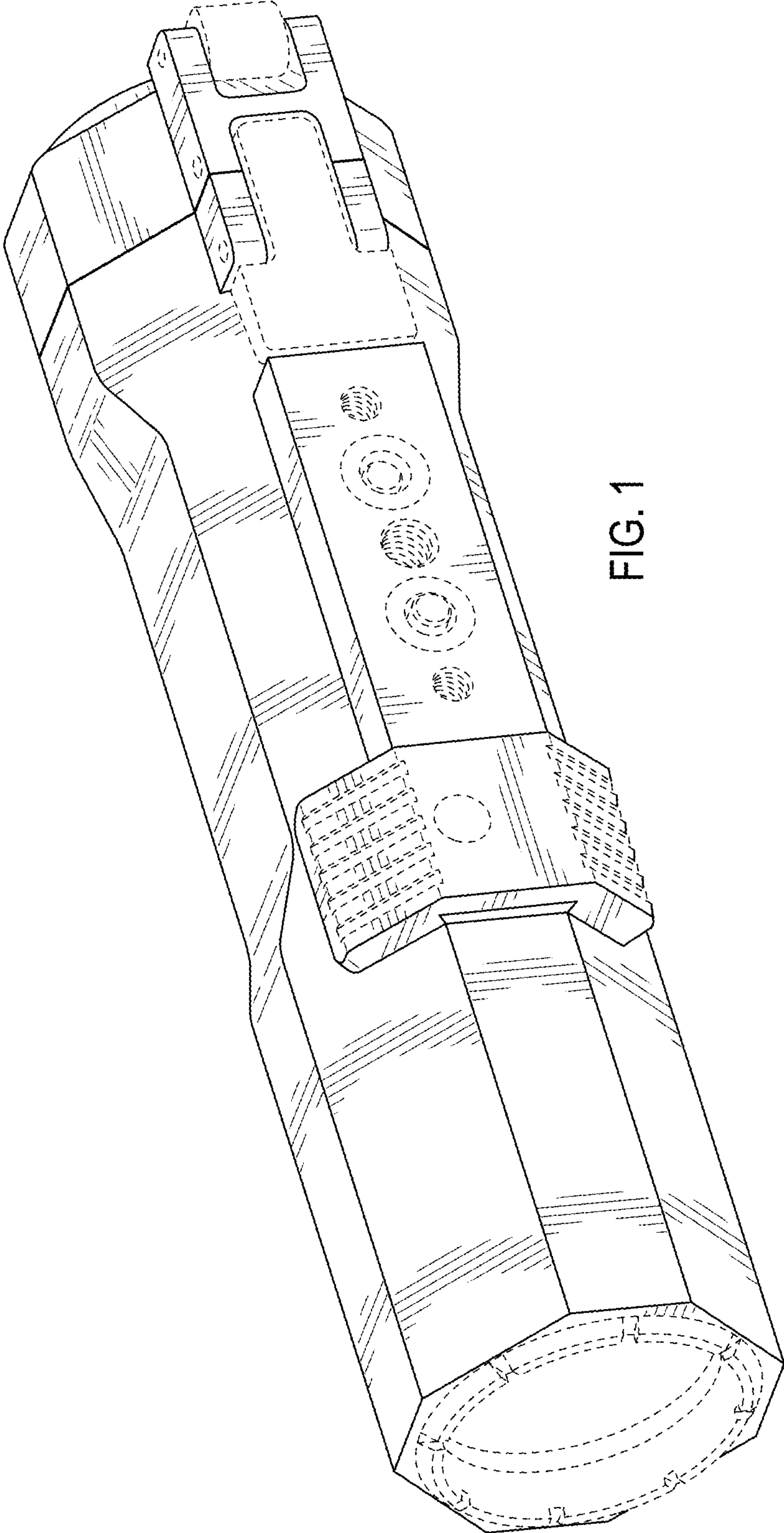


FIG. 1

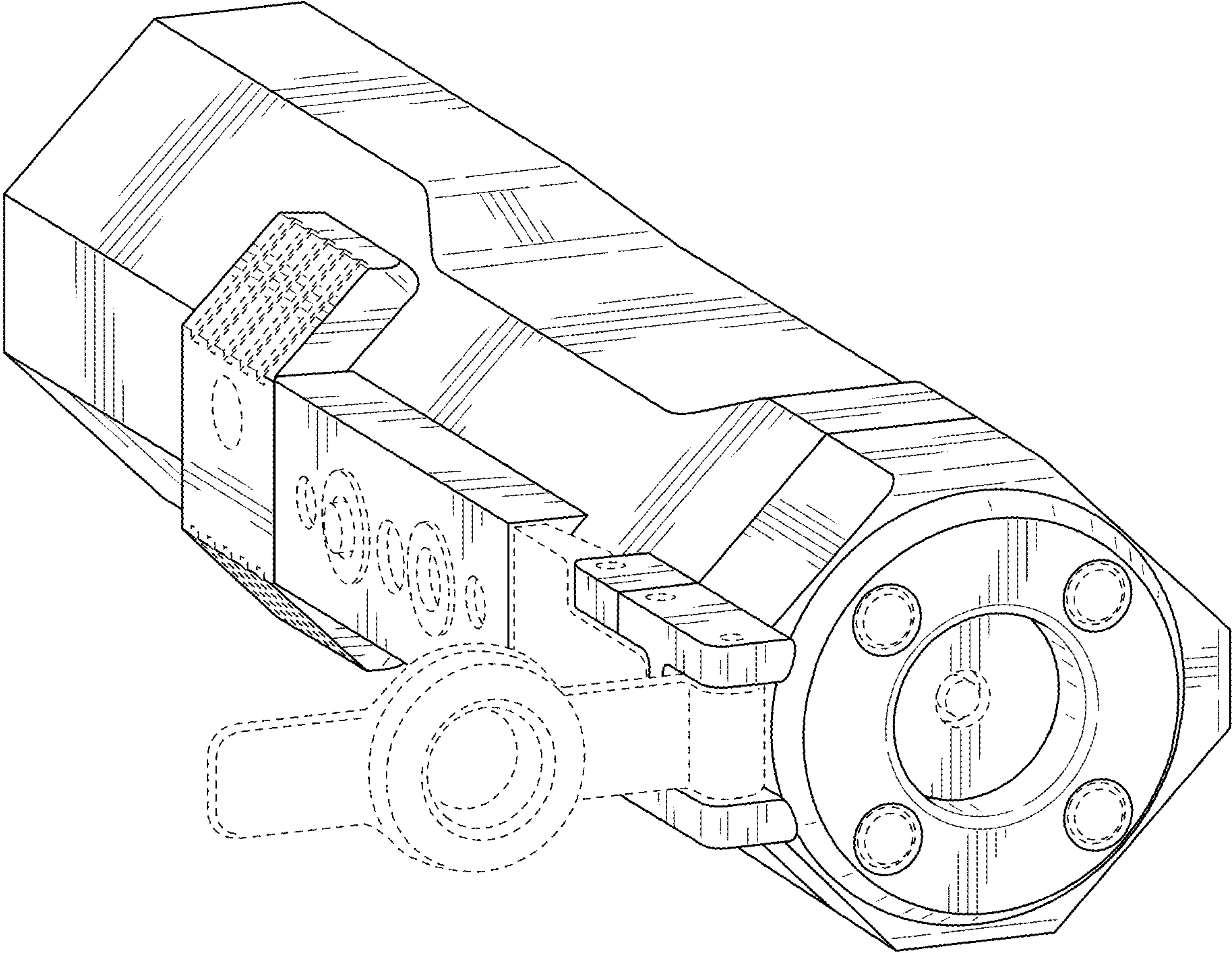


FIG. 2

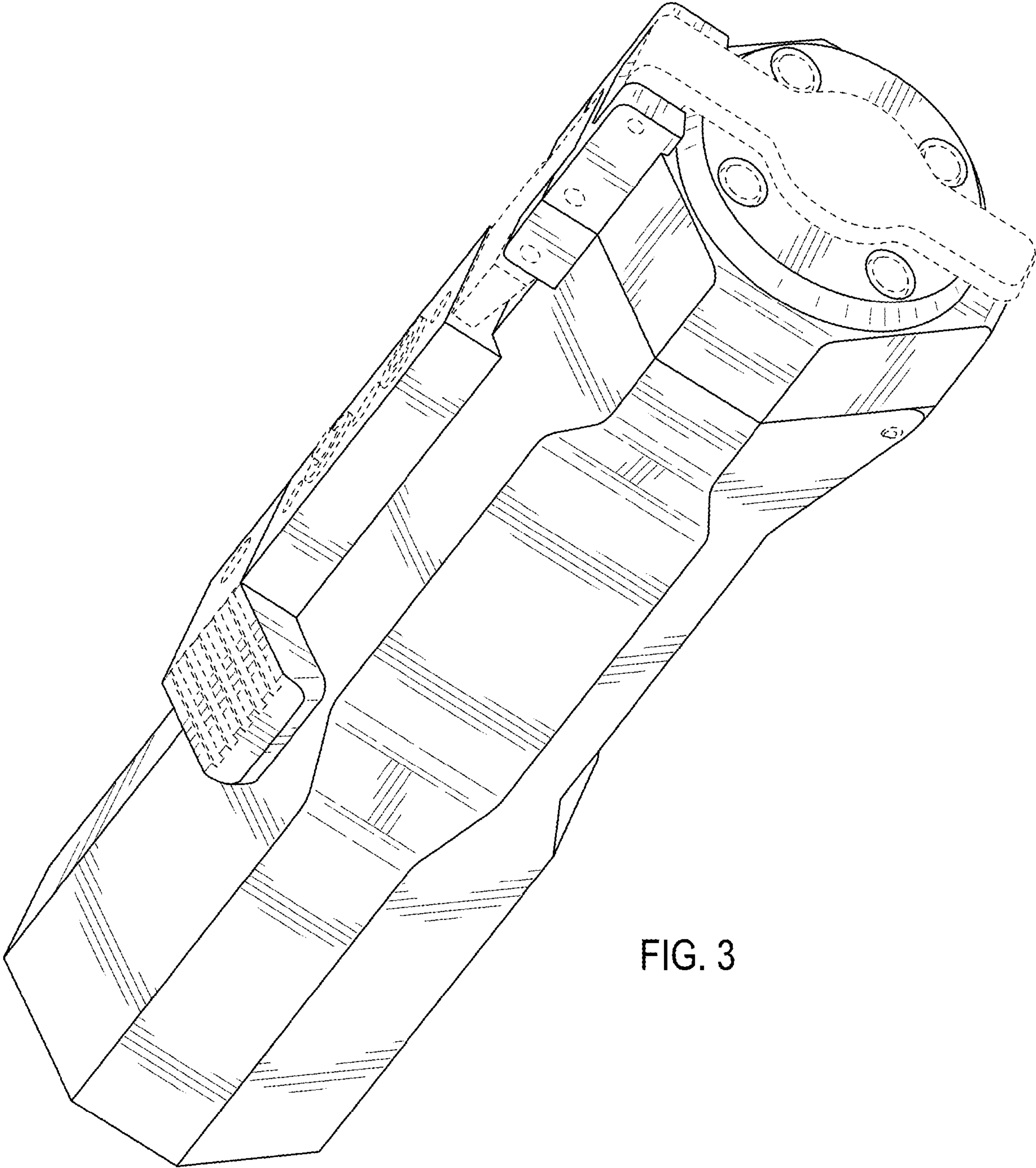


FIG. 3

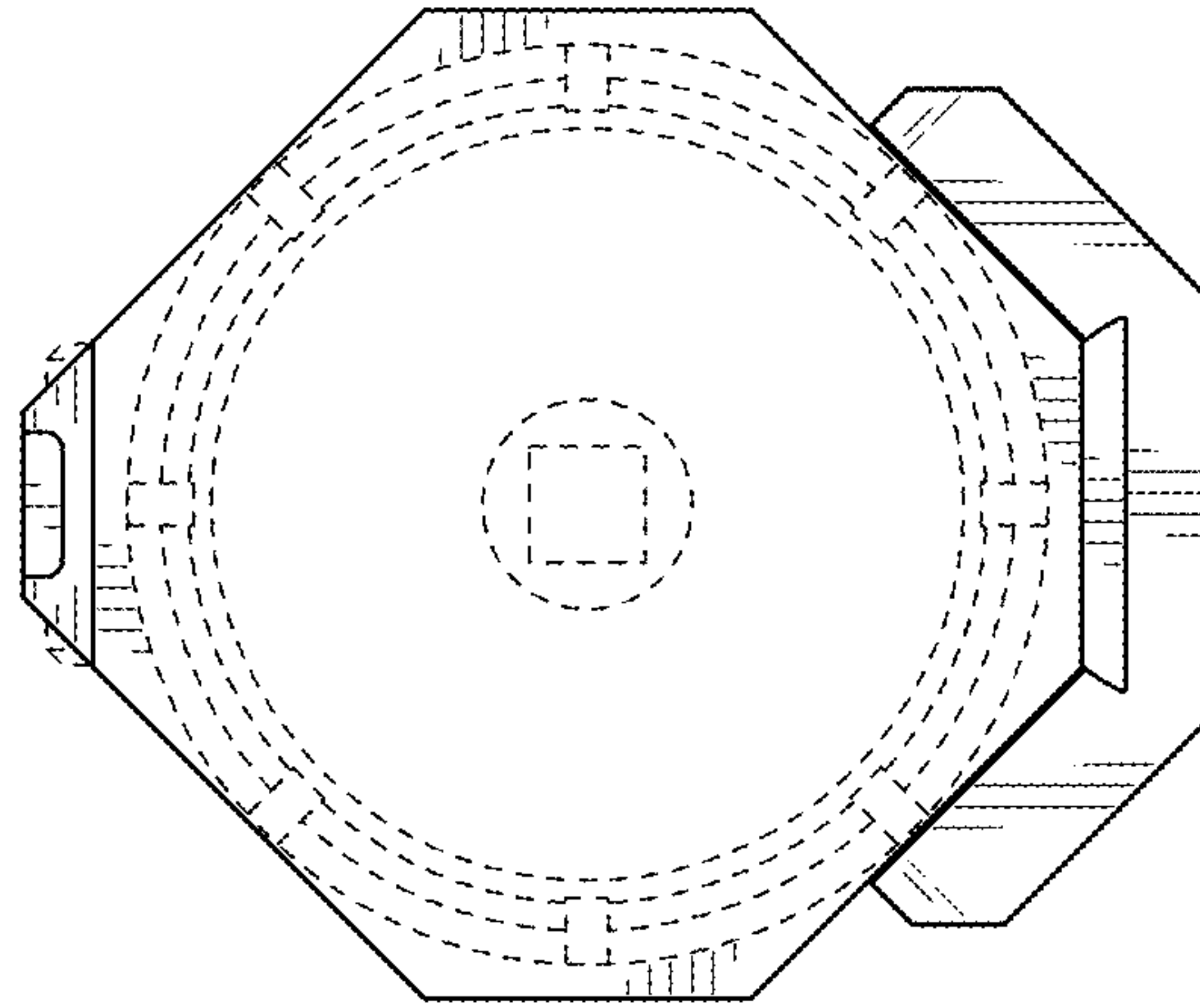


FIG. 4

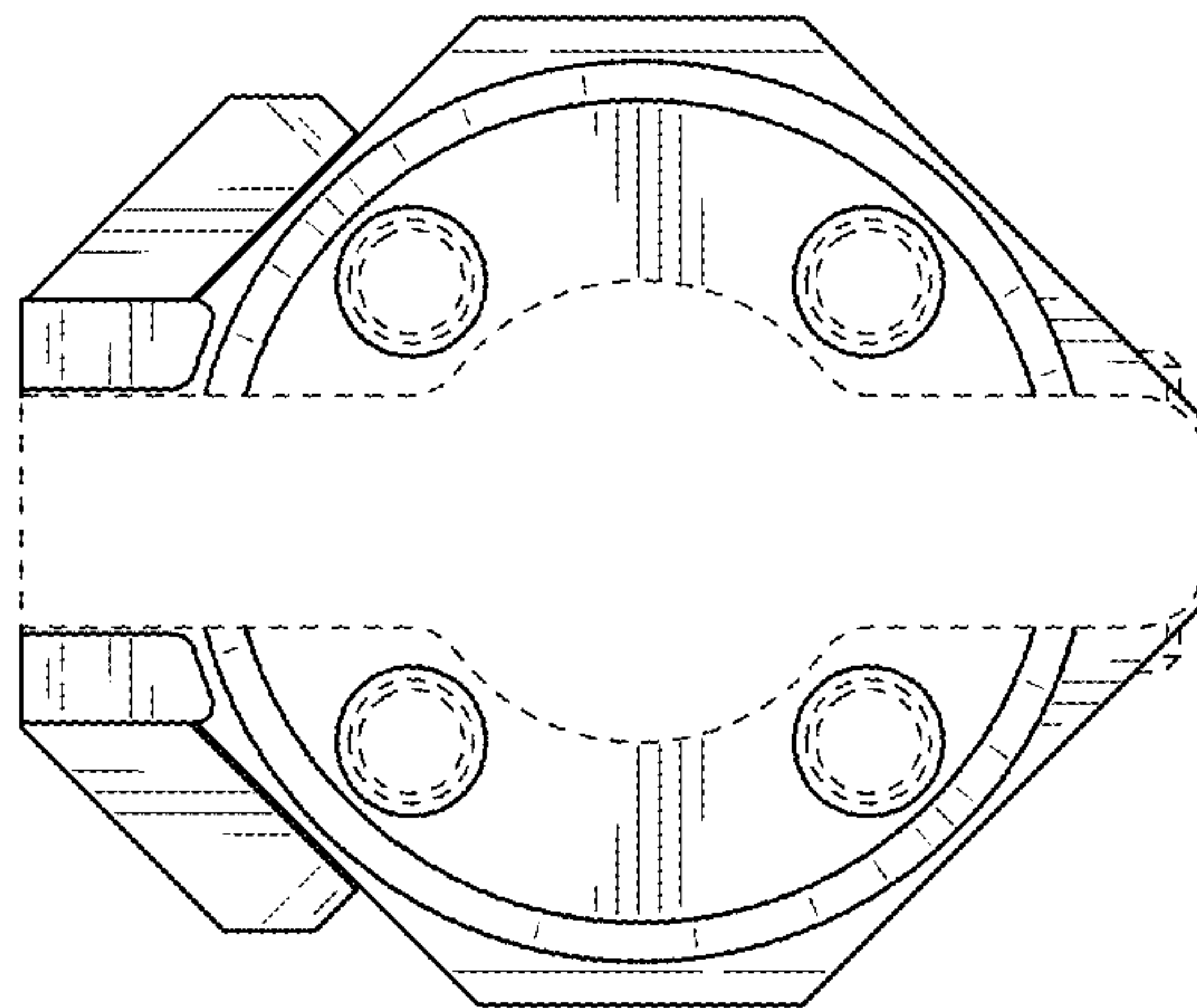


FIG. 5

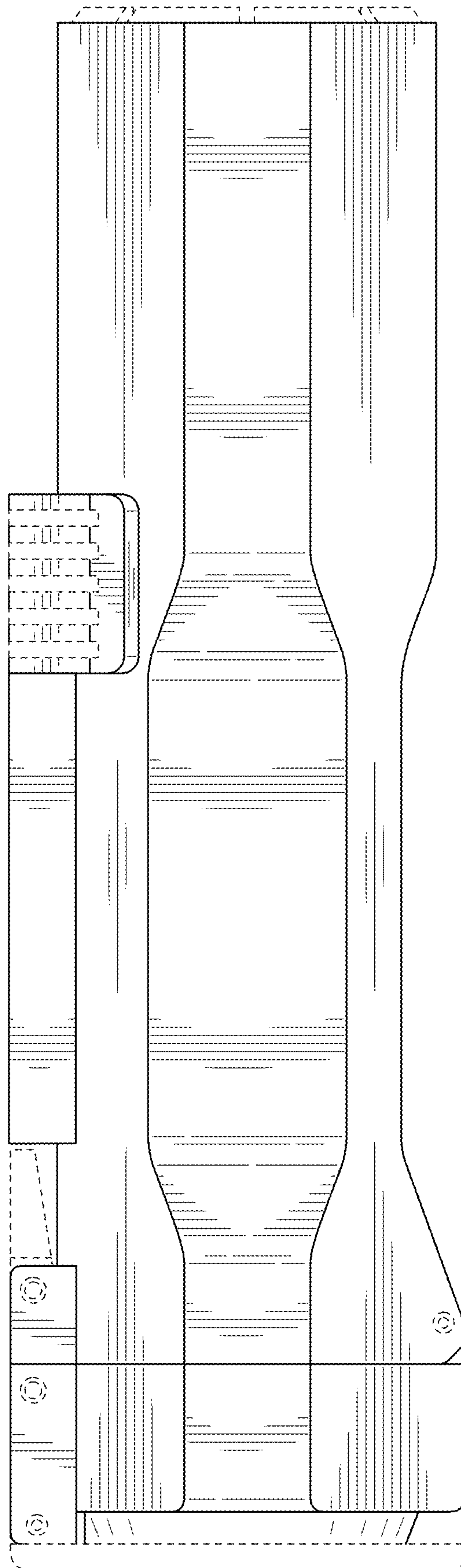


FIG. 6

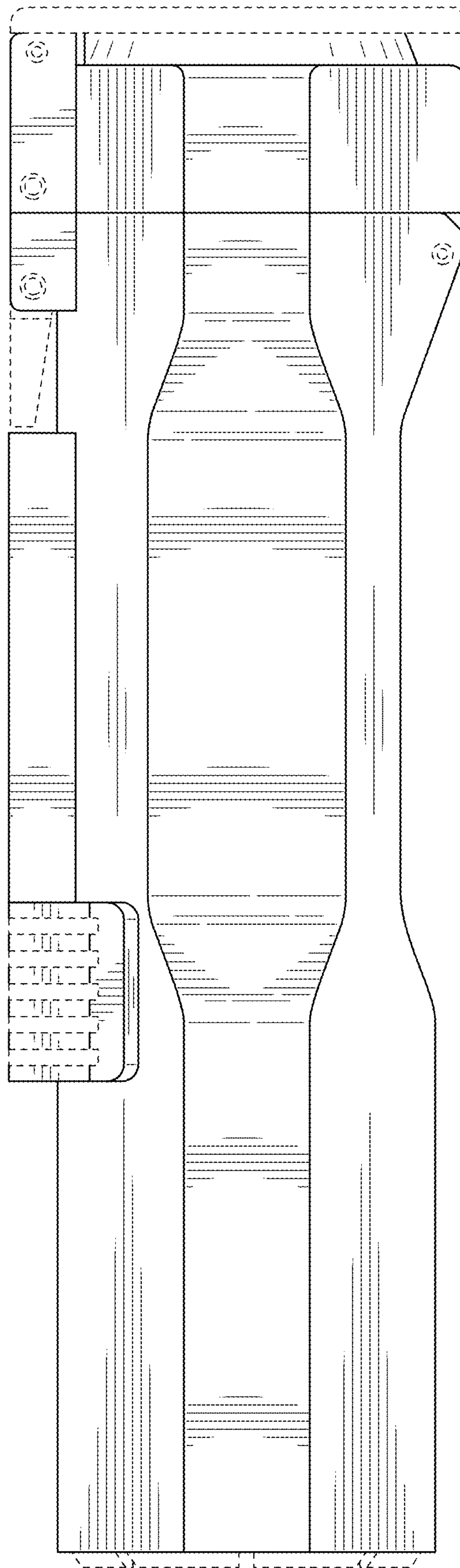


FIG. 7

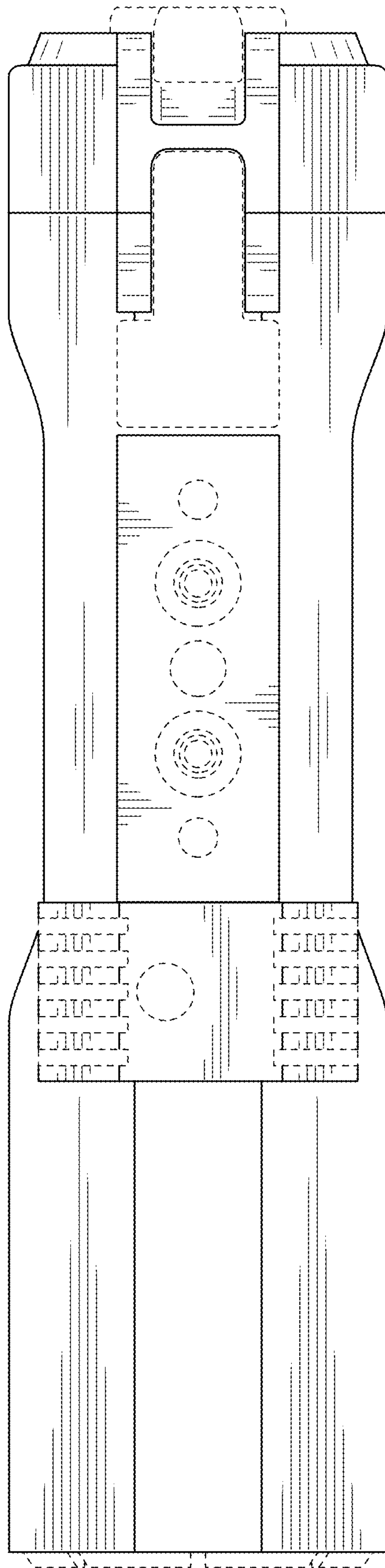


FIG. 8

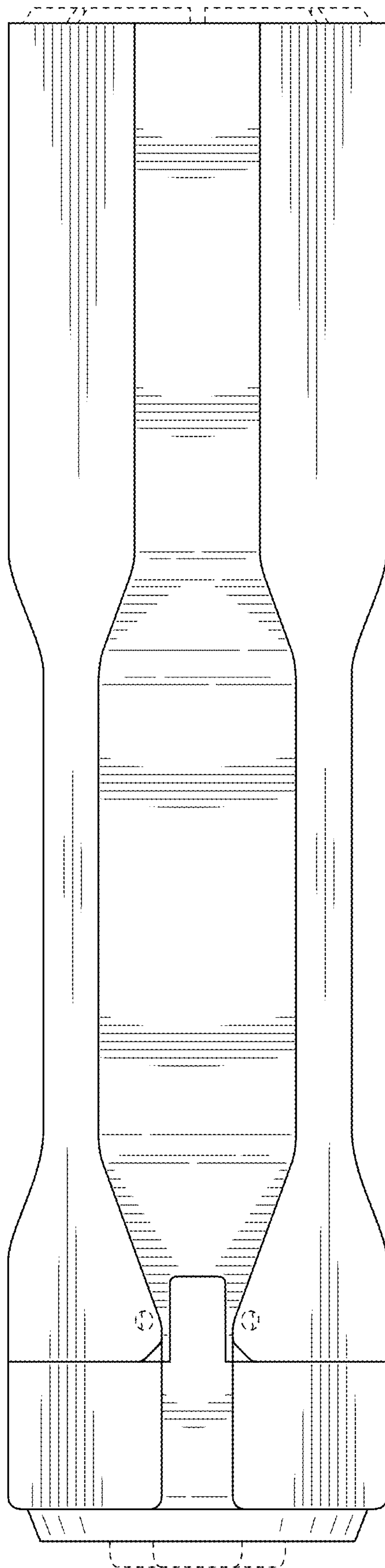


FIG. 9