



US00D936258S

(12) **United States Design Patent** (10) **Patent No.:** **US D936,258 S**  
**Windom et al.** (45) **Date of Patent:** **\*\* Nov. 16, 2021**

(54) **LANTERN**  
(71) Applicant: **Coast Cutlery Co.**, Portland, OR (US)  
(72) Inventors: **Gregory David Windom**, Portland, OR (US); **Douglas R. Hutchens**, Portland, OR (US); **David D. Lewin**, Portland, OR (US)  
(73) Assignee: **Coast Cutlery Co.**, Portland, OR (US)  
(\*\*) Term: **15 Years**

D783,872 S \* 4/2017 Aksnes ..... D26/41  
D787,104 S \* 5/2017 Wu ..... D26/41  
D802,559 S \* 11/2017 Holzer ..... D14/210  
D809,688 S \* 2/2018 Christensen ..... D26/41  
D809,690 S \* 2/2018 Marshall ..... D26/41  
D814,084 S \* 3/2018 James ..... D26/41  
D818,620 S \* 5/2018 Brown ..... D26/41  
D823,506 S \* 7/2018 Shiu ..... D26/40  
D832,480 S \* 10/2018 Qiu ..... D26/41  
D841,851 S \* 2/2019 Wu ..... D26/49  
D842,514 S \* 3/2019 Wu ..... D26/41  
D843,038 S \* 3/2019 Vyvey ..... D26/40

(Continued)

(21) Appl. No.: **29/682,478**  
(22) Filed: **Mar. 5, 2019**  
(51) **LOC (13) Cl.** ..... **26-02**  
(52) **U.S. Cl.**  
USPC ..... **D26/40**  
(58) **Field of Classification Search**  
USPC ..... D26/37-51, 63  
CPC ..... F21L 2003/00; F21L 4/005; F21L 4/02;  
F21L 4/025; F21L 4/027; F21L 4/04;  
F21L 4/08; F21L 2005/00; F21L 7/00;  
F21L 11/00; F21L 13/00; F21L 13/04;  
F21L 13/08; F21L 14/02; F21L 17/00;  
F21L 19/00; F21L 25/00; F21L 2/00;  
F21L 4/00-4/085; F21L 15/00-15/14;  
F21L 2001/00

See application file for complete search history.

(56) **References Cited**

**U.S. PATENT DOCUMENTS**

D464,454 S \* 10/2002 Suzuki ..... D26/40  
D537,967 S \* 3/2007 Lo ..... D26/40  
D548,864 S \* 8/2007 Lee ..... D26/38  
D617,480 S \* 6/2010 DeBrunner ..... D26/40  
D652,162 S \* 1/2012 Wu ..... D26/47  
D652,972 S \* 1/2012 Lee ..... D26/41  
D711,572 S \* 8/2014 Kwon ..... D26/37  
D725,300 S \* 3/2015 Dalton ..... D26/40  
D753,631 S \* 4/2016 Holzer ..... D14/216

**OTHER PUBLICATIONS**

Amazon.com\_Coast Coast Coast EAL22—Linterna LED de emergencia  
[https://www.amazon.com/Coast-EAL22-Linterna-emergencia-1%C3%BAmenes/dp/B082N6BK1J?ref=ast\\_sto\\_dp](https://www.amazon.com/Coast-EAL22-Linterna-emergencia-1%C3%BAmenes/dp/B082N6BK1J?ref=ast_sto_dp) Available Dec. 11, 2019 (Year: 2019).\*

(Continued)

*Primary Examiner* — Leanne Was-Englehart  
(74) *Attorney, Agent, or Firm* — Schwabe Williamson & Wyatt, P.C.

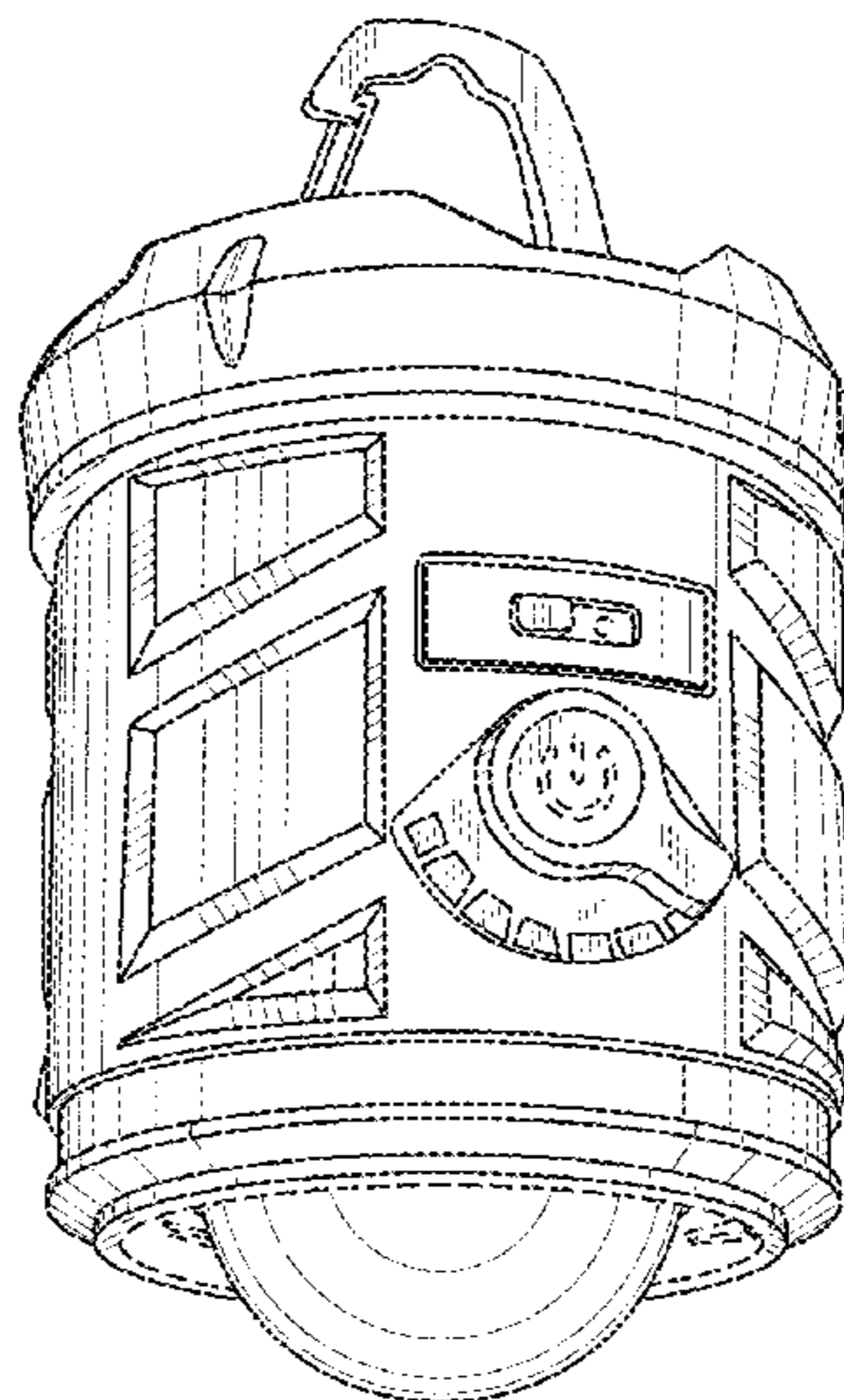
(57) **CLAIM**

We claim the ornamental design for a lantern, as shown and described.

**DESCRIPTION**

FIG. 1 is a perspective view of the lantern;  
FIG. 2 is a front elevation view of the lantern of FIG. 1;  
FIG. 3 is a rear elevation view of the lantern of FIG. 1;  
FIG. 4 is a side elevation view of the lantern of FIG. 1;  
FIG. 5 is a side elevation view of the lantern of FIG. 1, with the lantern turned 180 degrees from FIG. 4;  
FIG. 6 is a bottom view of the lantern of FIG. 1; and,  
FIG. 7 is a top plan view of the lantern of FIG. 1.  
The broken lines show portions of the lantern which form no part of the claimed design.

**1 Claim, 3 Drawing Sheets**



(56)

**References Cited**

U.S. PATENT DOCUMENTS

D844,201 S \* 3/2019 Khubani ..... D26/40  
D844,203 S \* 3/2019 Ma ..... D26/41  
D850,682 S \* 6/2019 DeBrunner ..... D26/40  
D861,941 S \* 10/2019 Hammer ..... D26/40  
D863,634 S \* 10/2019 Xu ..... D26/41  
2015/0009660 A1\* 1/2015 Lee ..... F21V 15/012  
362/186

OTHER PUBLICATIONS

Amazon.com\_Coast EAL13—Linterna LED de emergencia [https://www.youtube.com/watch?v=2zyNgCcsjU0](https://www.amazon.com/dp/B082N61GGQ/ref=sspa_dk_detail_1?psc=1&pd_rd_i=B082N61GGQ&pd_rd_w=jXW0J&pf_rd_p=7771f1a2-d77a-4098-a19e-6d9a1e65f44d&pd_rd_wg=v3M71&pf_rd_r=1FSR7A798TGKTKNKRX0N&pd_rd_r=b8c8df7-9d64-4d0a-b519-8181a620322e&spLa=ZW Dec. 11, 2019 (Year: 2019).*</p><p>EAL Lanterns YouTube <a href=) Posted Jan. 23, 2019 (Year: 2019).\*

\* cited by examiner

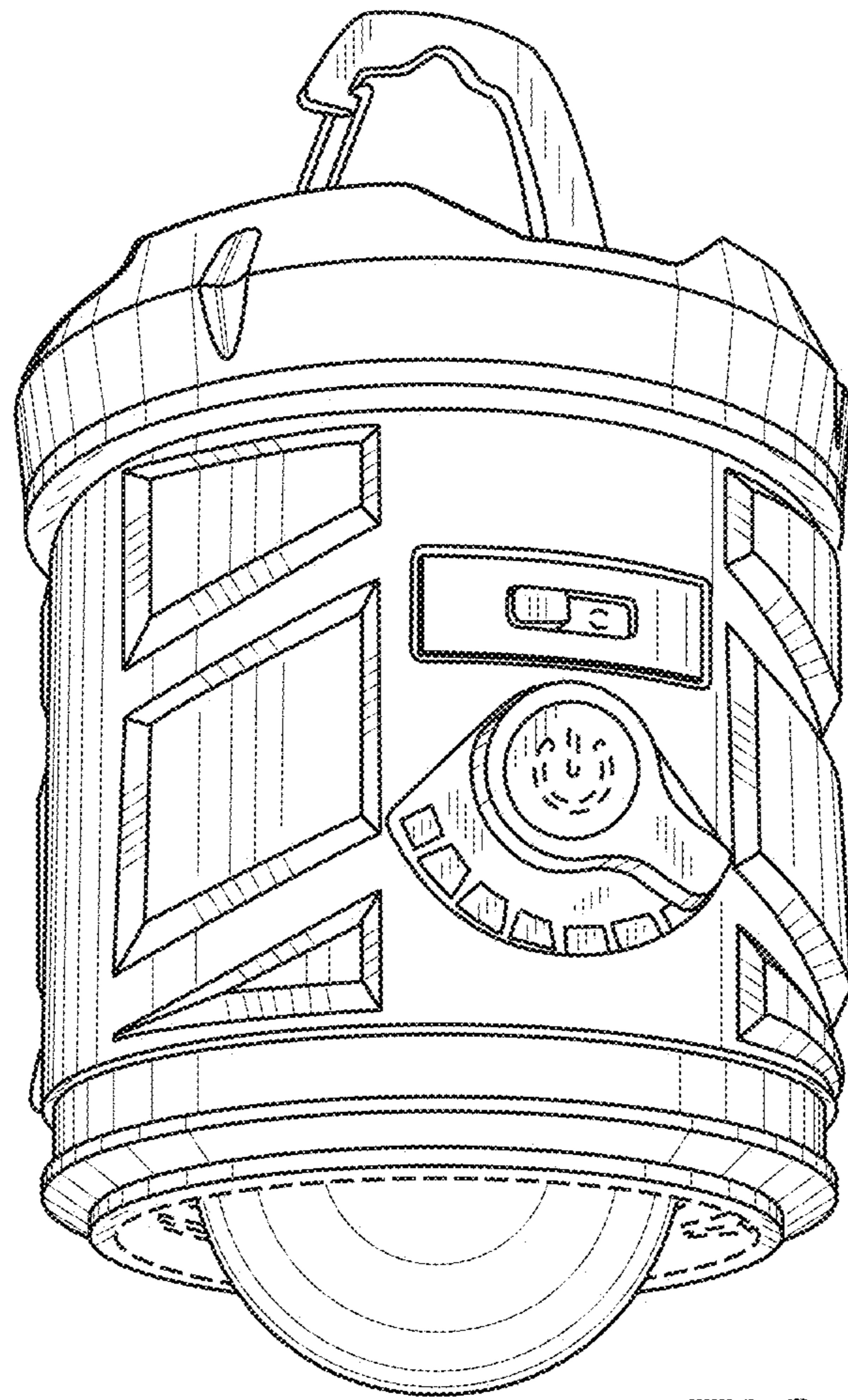


FIG. 1



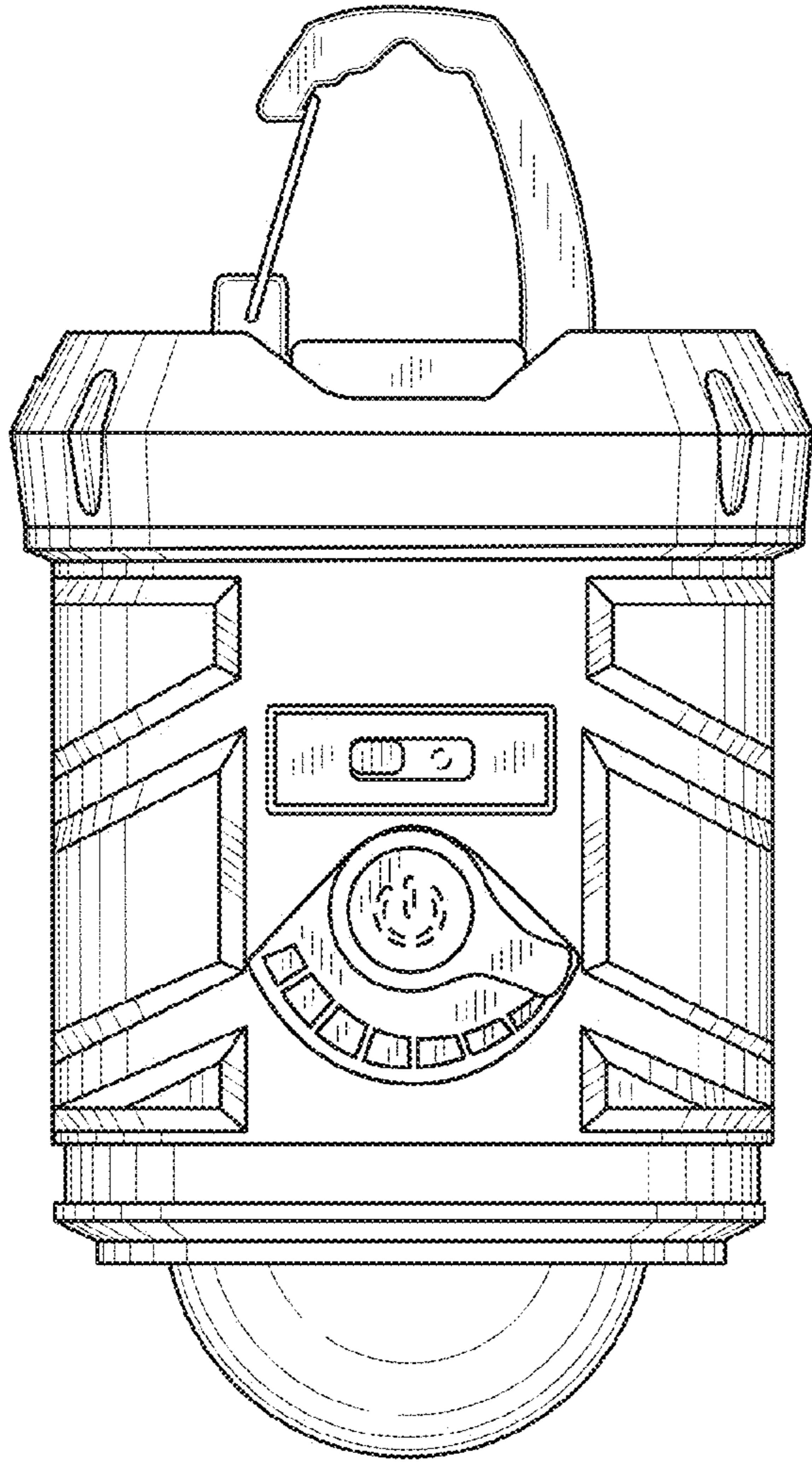


FIG. 2

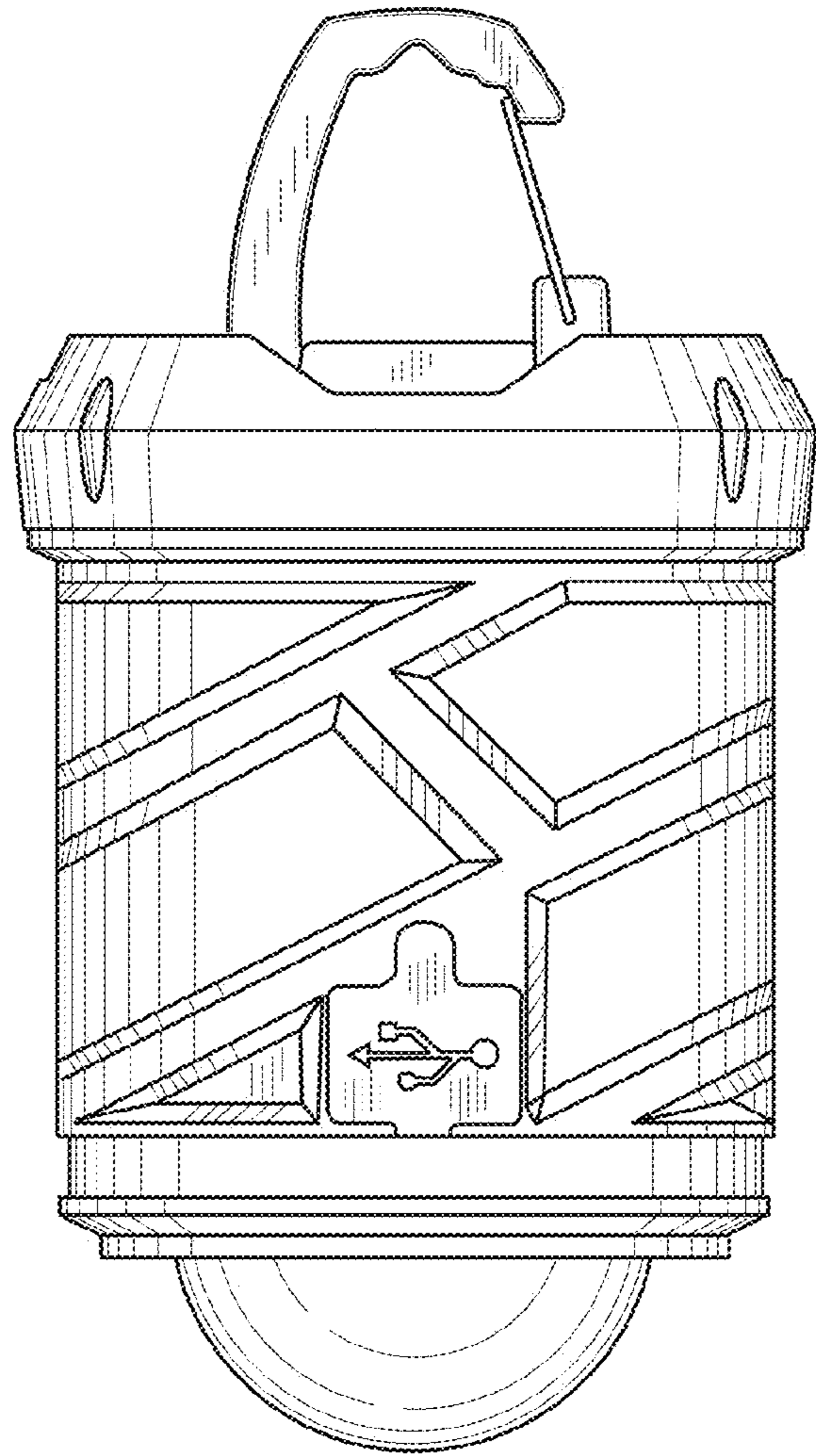


FIG. 3

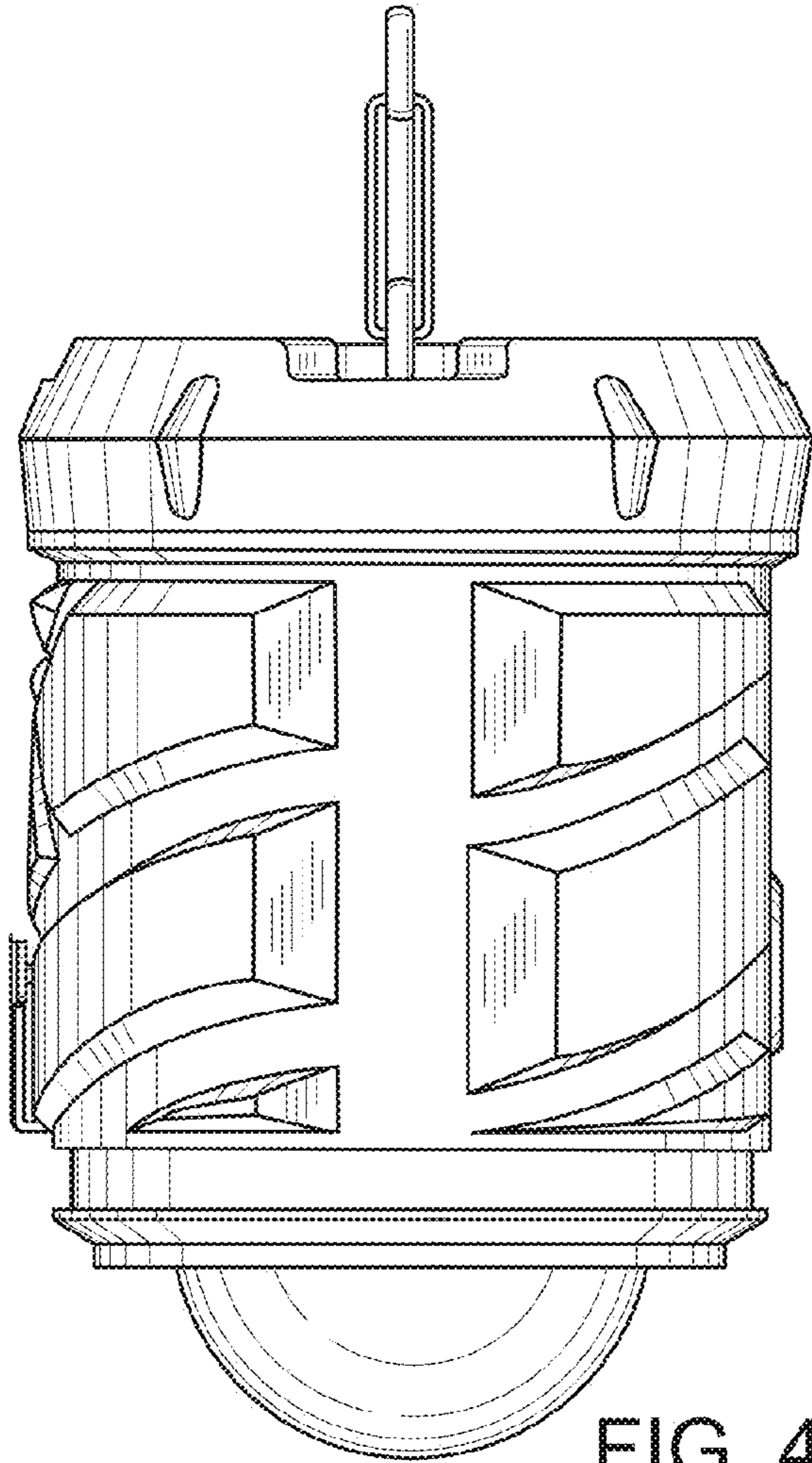


FIG. 4

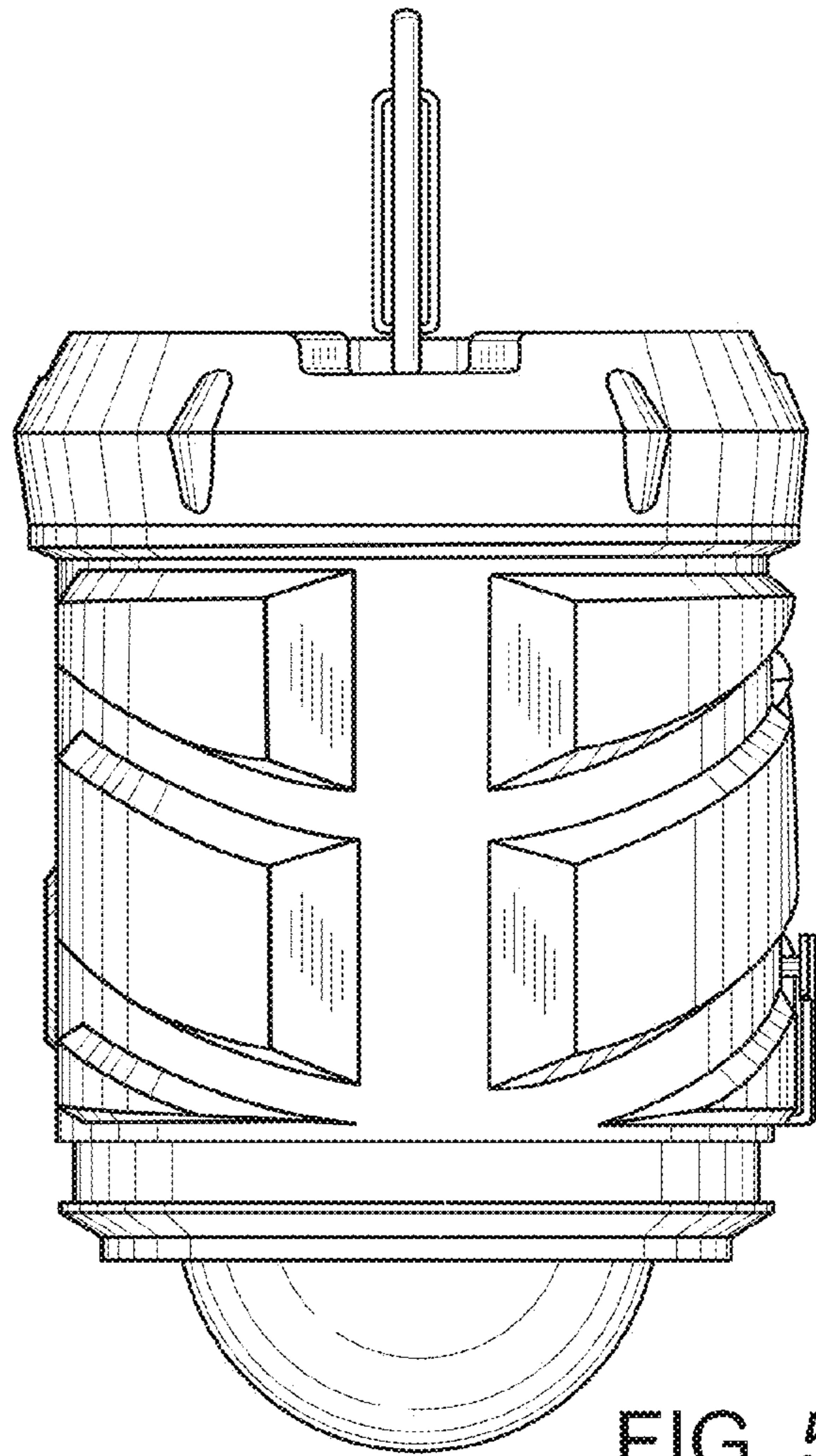


FIG. 5

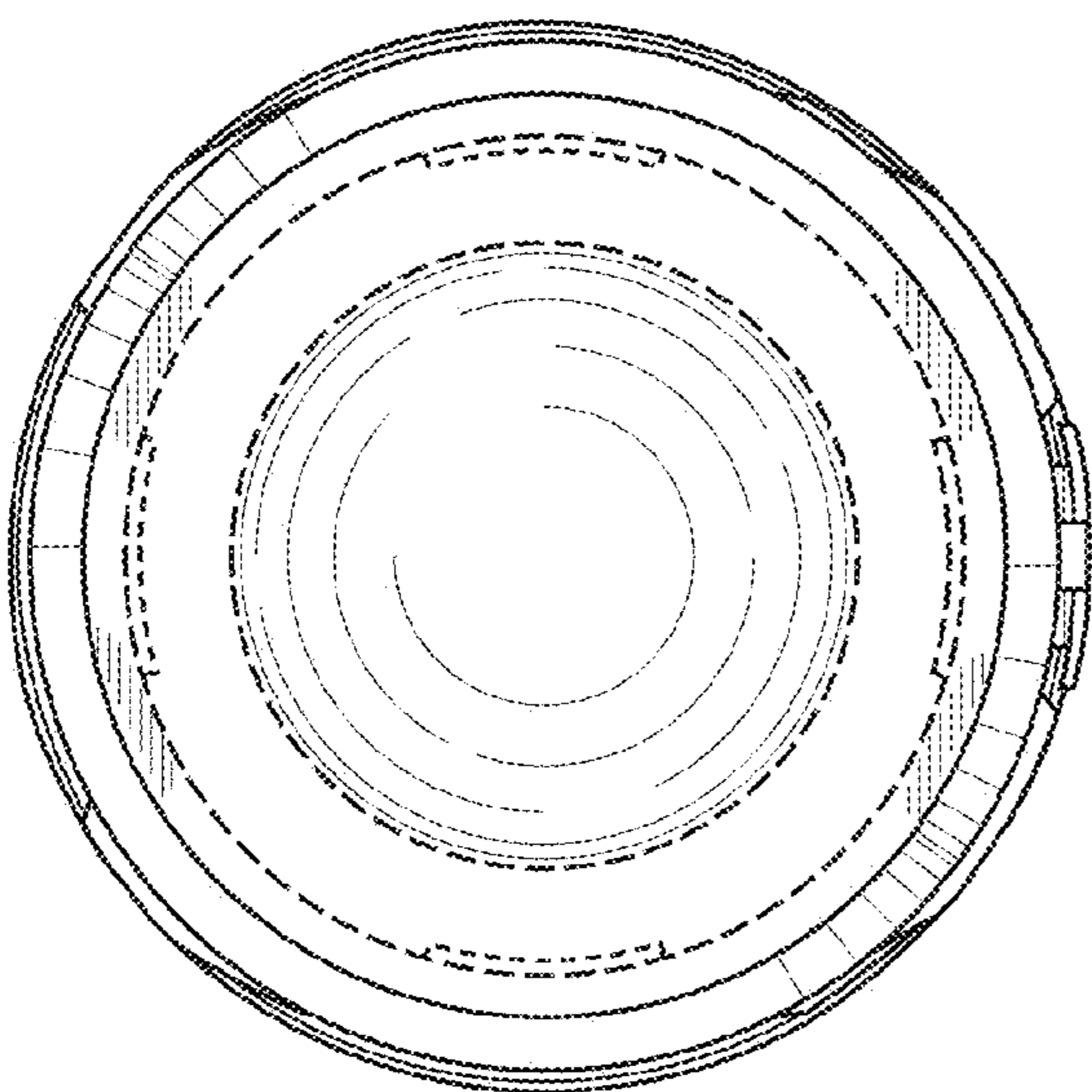


FIG. 6

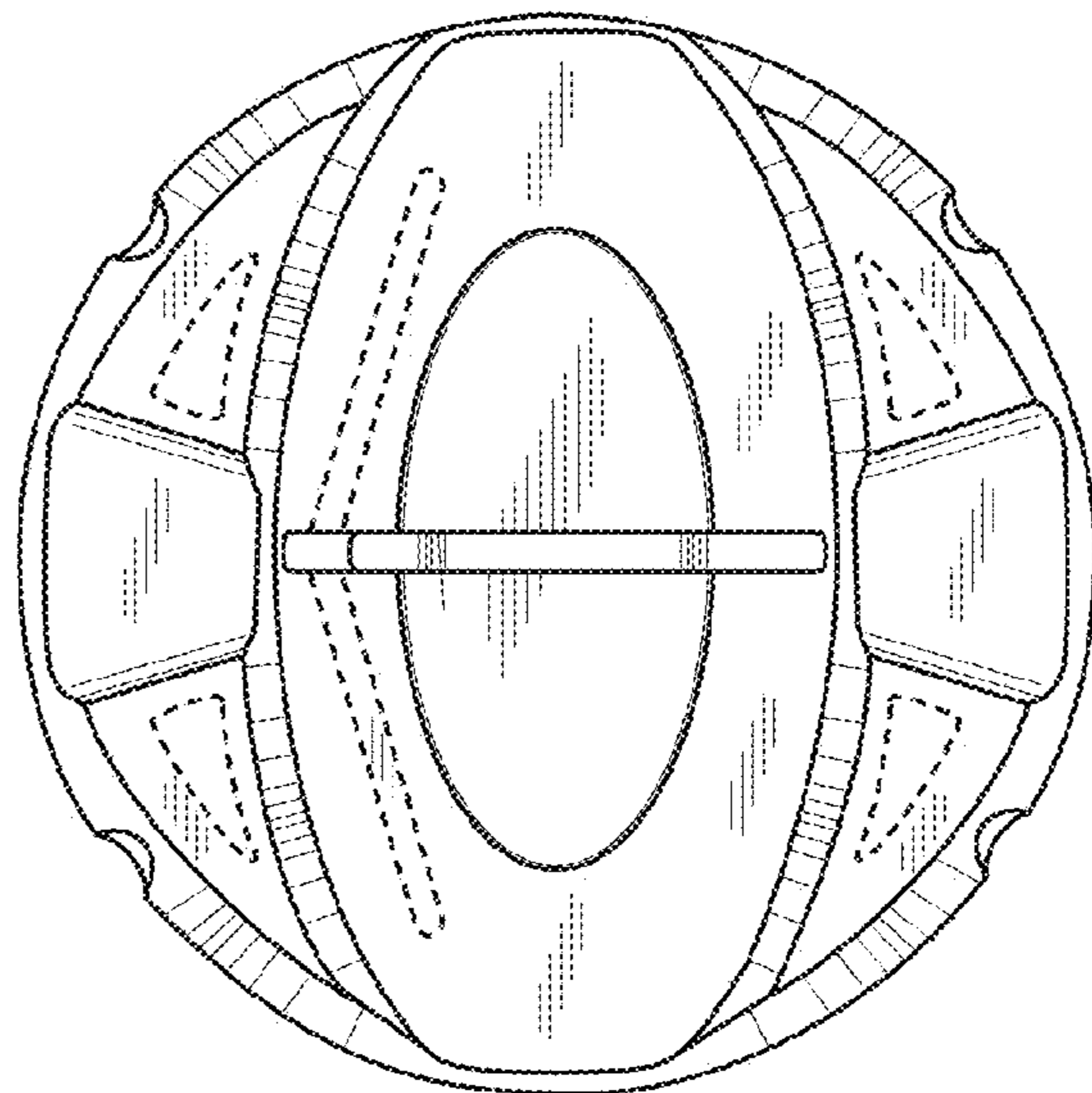


FIG. 7