



US00D936257S

(12) **United States Design Patent**  
**Xiao et al.**

(10) **Patent No.:** **US D936,257 S**

(45) **Date of Patent:** **\*\* Nov. 16, 2021**

(54) **HEADLAMP**

(71) Applicant: **Ledlenser GmbH & Co. KG**, Solingen (DE)

(72) Inventors: **Bin Xiao**, Düsseldorf (DE); **André Kunzendorf**, Wuppertal (DE)

(73) Assignee: **LEDLENSER GMBH & CO. KG**, Solingen (DE)

(\*\*) Term: **15 Years**

(21) Appl. No.: **29/714,562**

(22) Filed: **Nov. 25, 2019**

(51) **LOC (13) Cl.** ..... **26-02**

(52) **U.S. Cl.**  
USPC ..... **D26/39**

(58) **Field of Classification Search**  
USPC ..... D26/37-51  
CPC ..... F21L 2003/00; F21L 4/005; F21L 4/025;  
F21L 4/027; F21L 4/04; F21L 4/08; F21L  
13/00; F21L 13/08; F21L 14/02; F21L  
19/00; F21L 2/00; F21L 4/00-085; F21L  
15/00-14; F21L 2001/00; F21L 2005/00;  
F21L 25/00; F21V 29/2206; F21V  
29/2293; F21V 15/011

See application file for complete search history.

(56) **References Cited**

**U.S. PATENT DOCUMENTS**

D531,335 S \* 10/2006 Garrity ..... D26/39  
D552,278 S \* 10/2007 Spartano ..... D26/39

D672,893 S \* 12/2012 Inskeep ..... D26/39  
D696,803 S \* 12/2013 Kingston ..... D26/39  
D721,842 S \* 1/2015 Opolka ..... D26/39  
D742,051 S \* 10/2015 Abernethy ..... D26/39  
D743,597 S \* 11/2015 Abernethy ..... D26/39  
D745,730 S \* 12/2015 Kunzendorf ..... D26/39  
D843,037 S \* 3/2019 Li ..... D26/39  
D876,695 S \* 2/2020 Hine ..... D26/39  
D901,736 S \* 11/2020 Kunzendorf ..... D26/39

**FOREIGN PATENT DOCUMENTS**

EM 007295217-0007 \* 2/2020

\* cited by examiner

*Primary Examiner* — Leanne Was-Englehart

(74) *Attorney, Agent, or Firm* — Alston & Bird LLP

(57) **CLAIM**

The ornamental design for a headlamp, as shown and described.

**DESCRIPTION**

FIG. 1 is a perspective view of a headlamp according to our new design;

FIG. 2 is a front elevation view thereof;

FIG. 3 is a rear elevation view thereof;

FIG. 4 is a right side elevation view thereof;

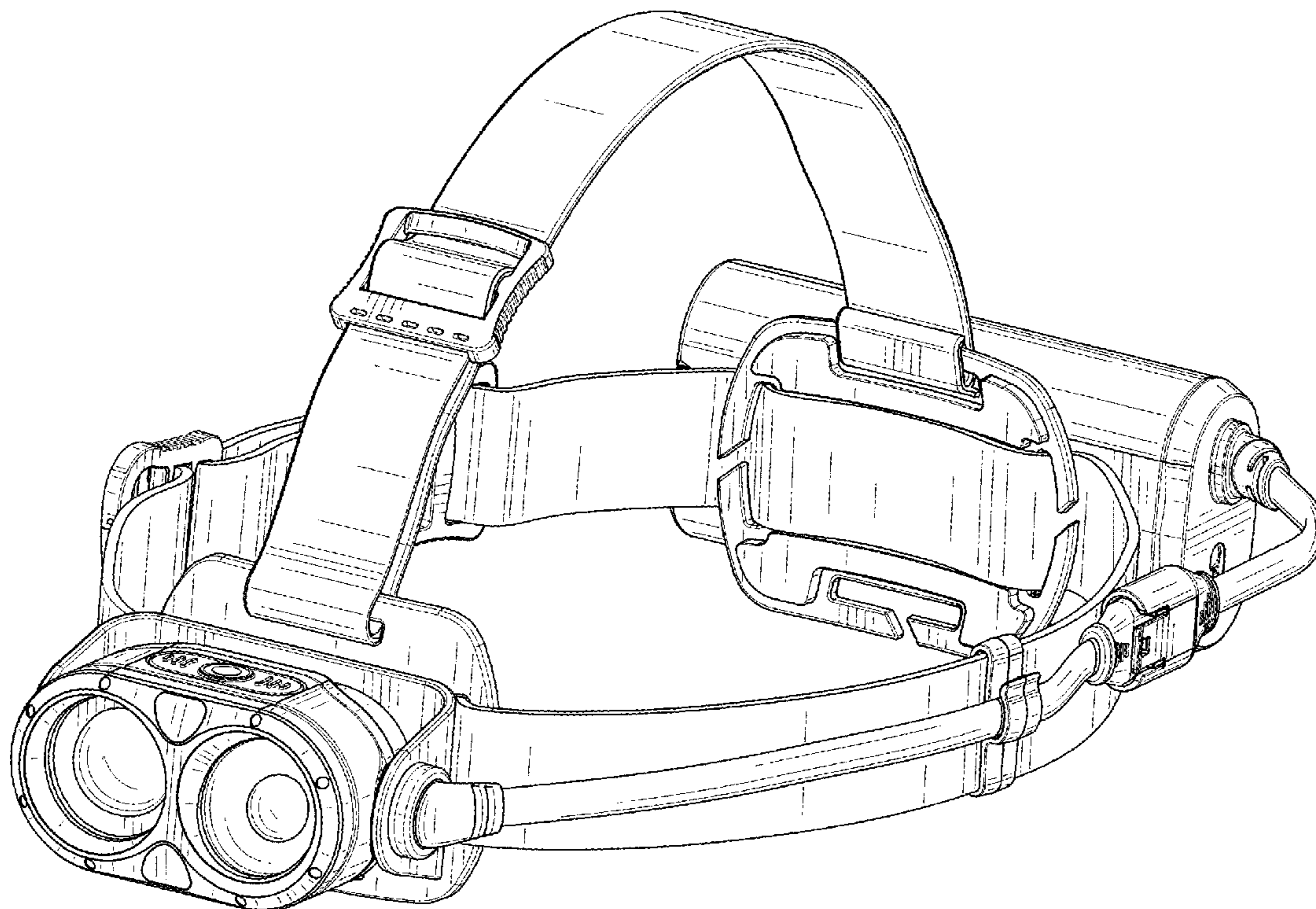
FIG. 5 is a left side elevation view thereof;

FIG. 6 is a top elevation view thereof; and,

FIG. 7 is a bottom plan view thereof.

The broken lines show portions of the article which form no part of the claimed design.

**1 Claim, 6 Drawing Sheets**



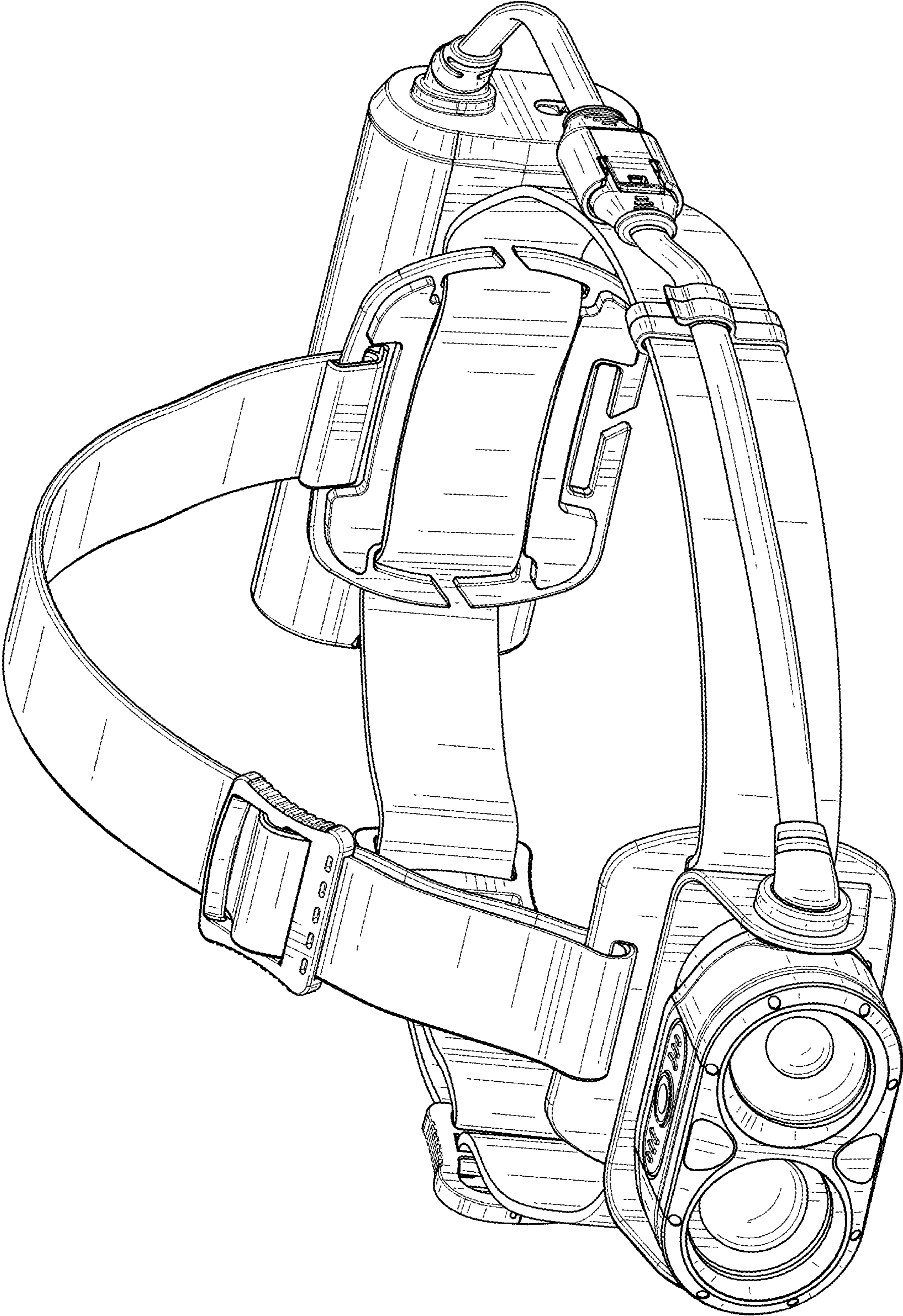


FIG. 1



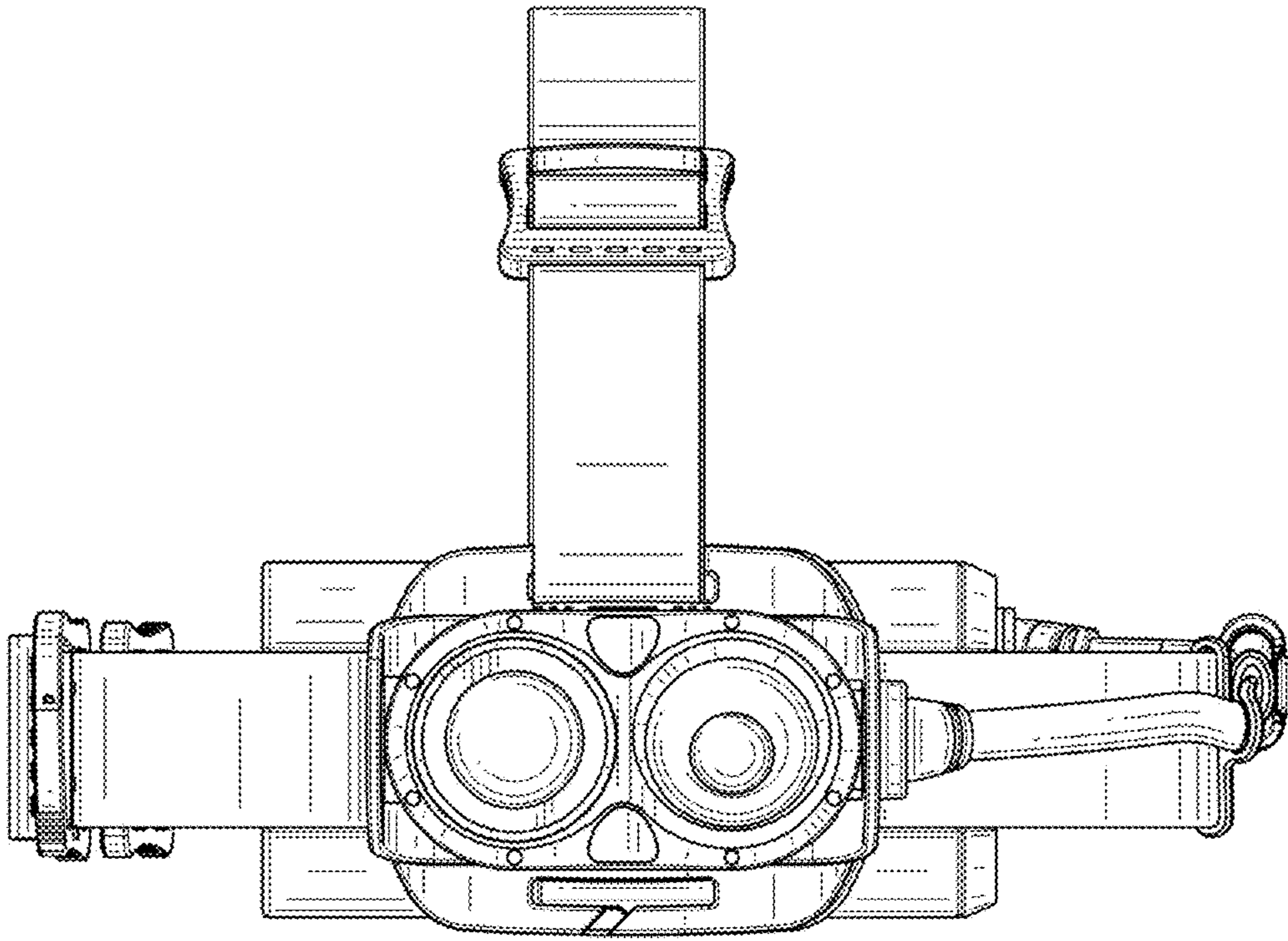


FIG. 2

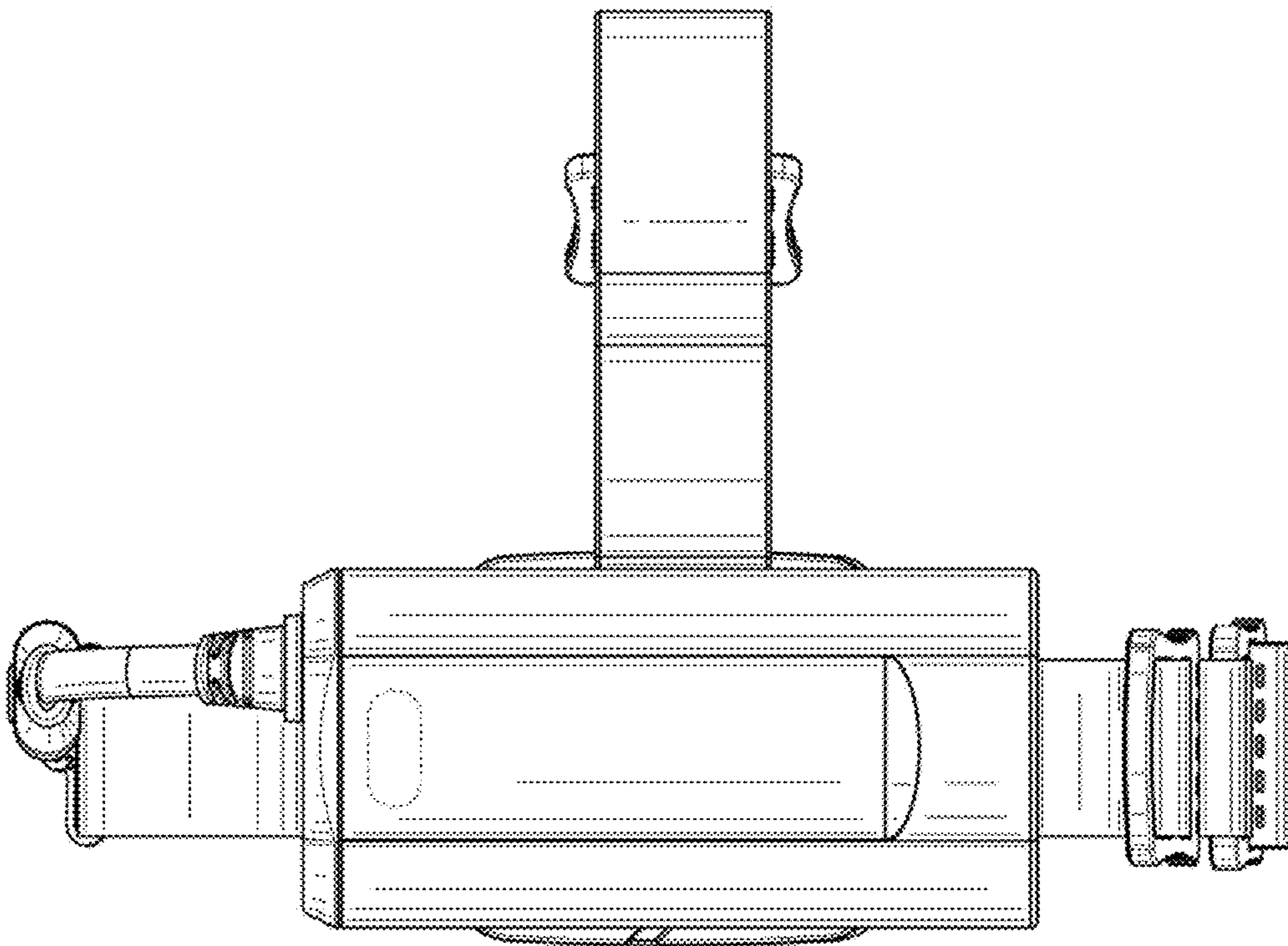


FIG. 3

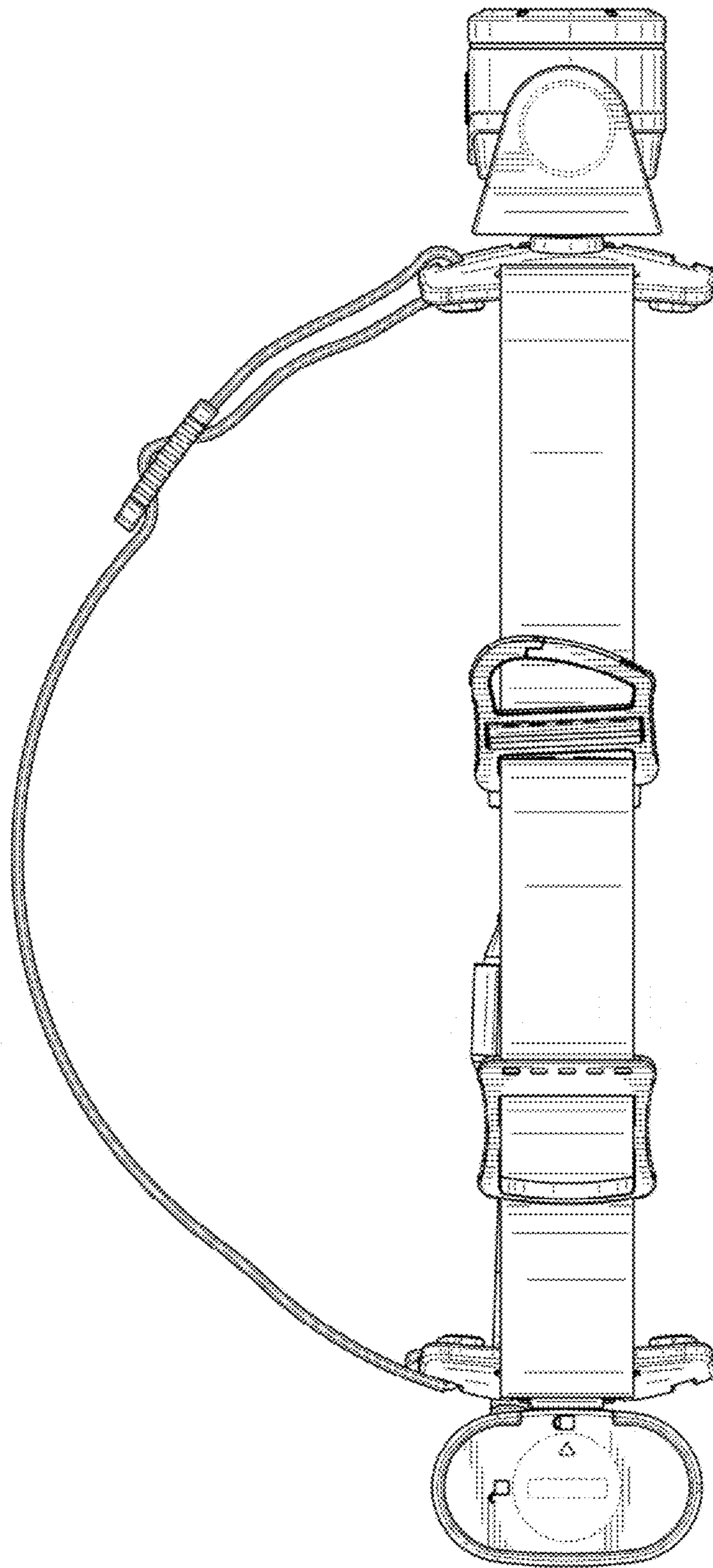


FIG. 4

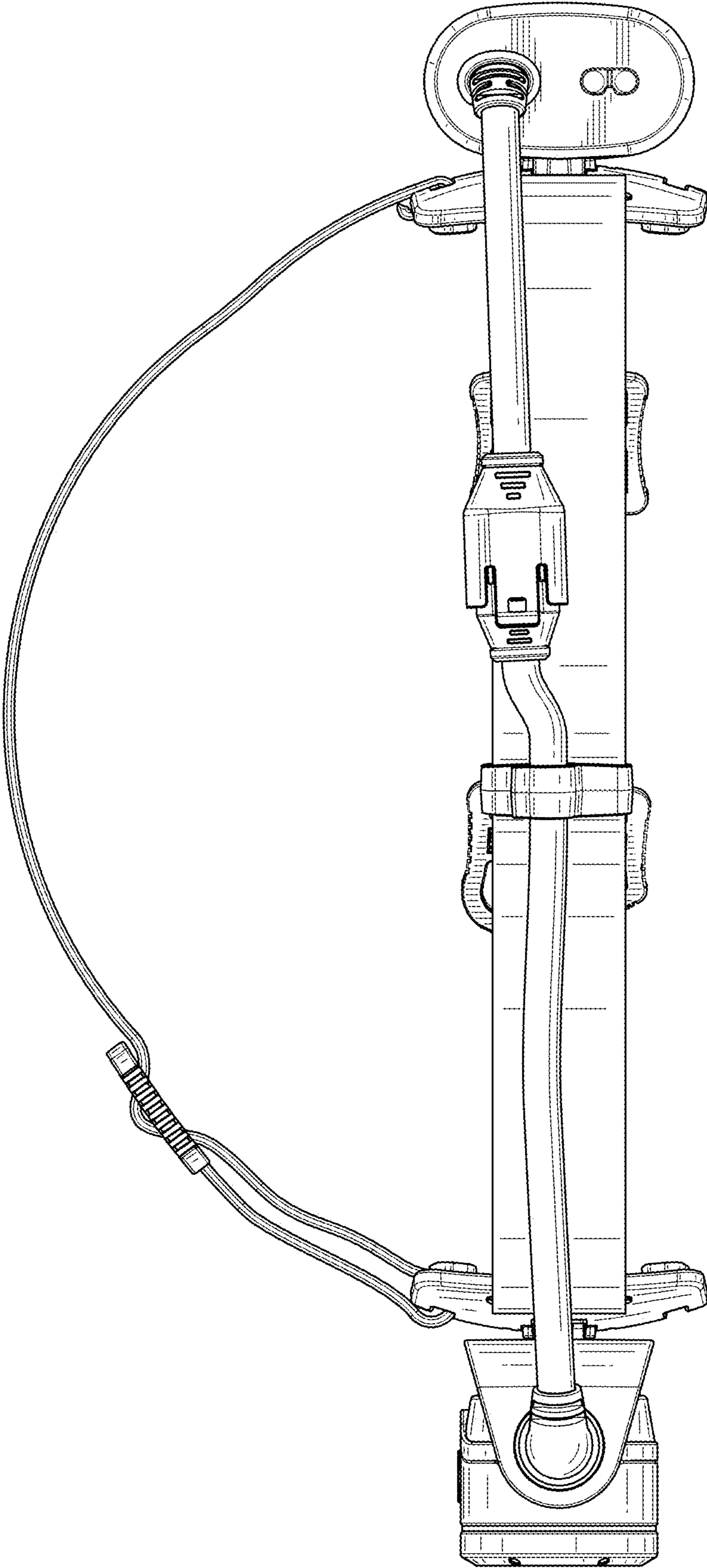


FIG. 5



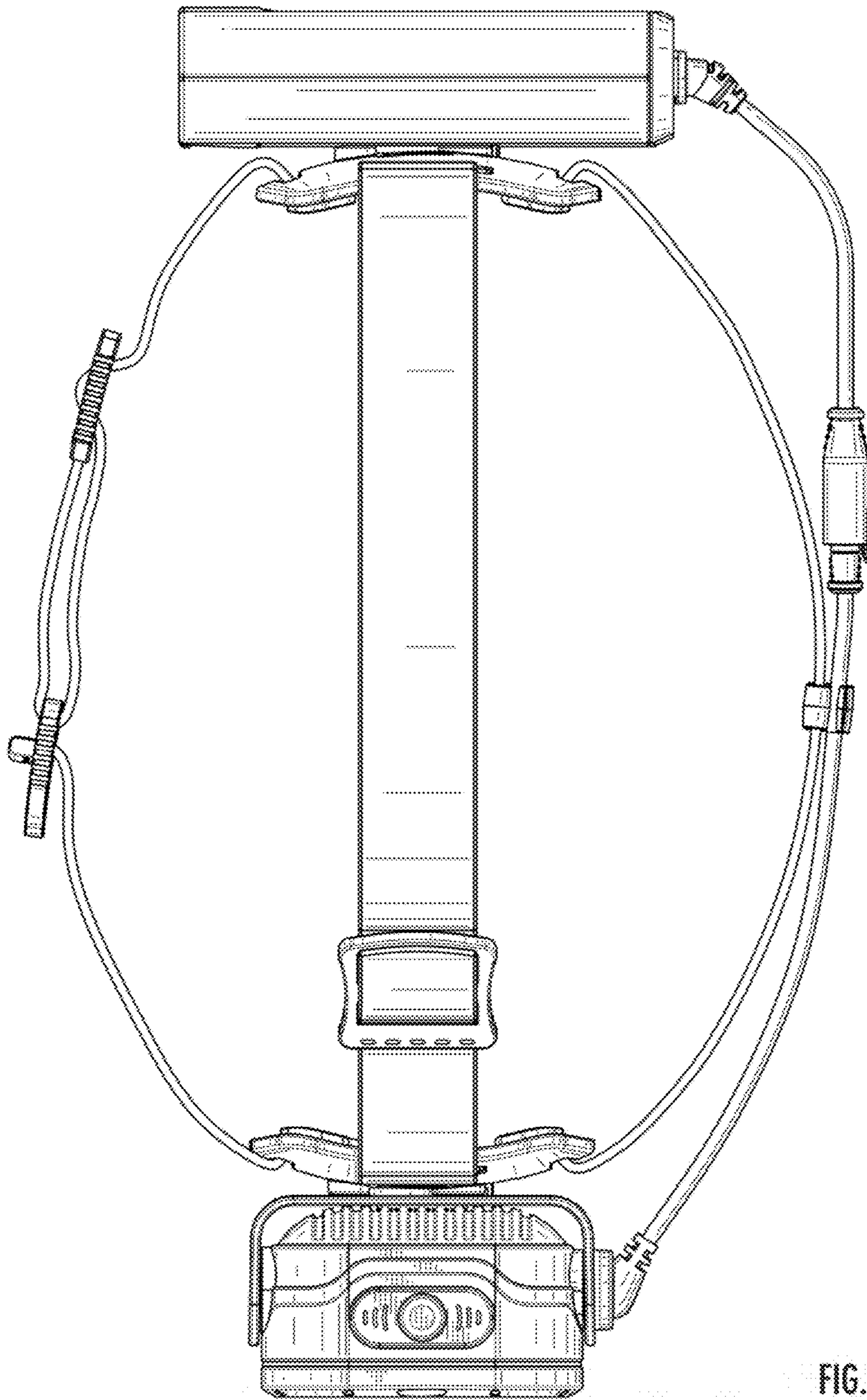


FIG. 6

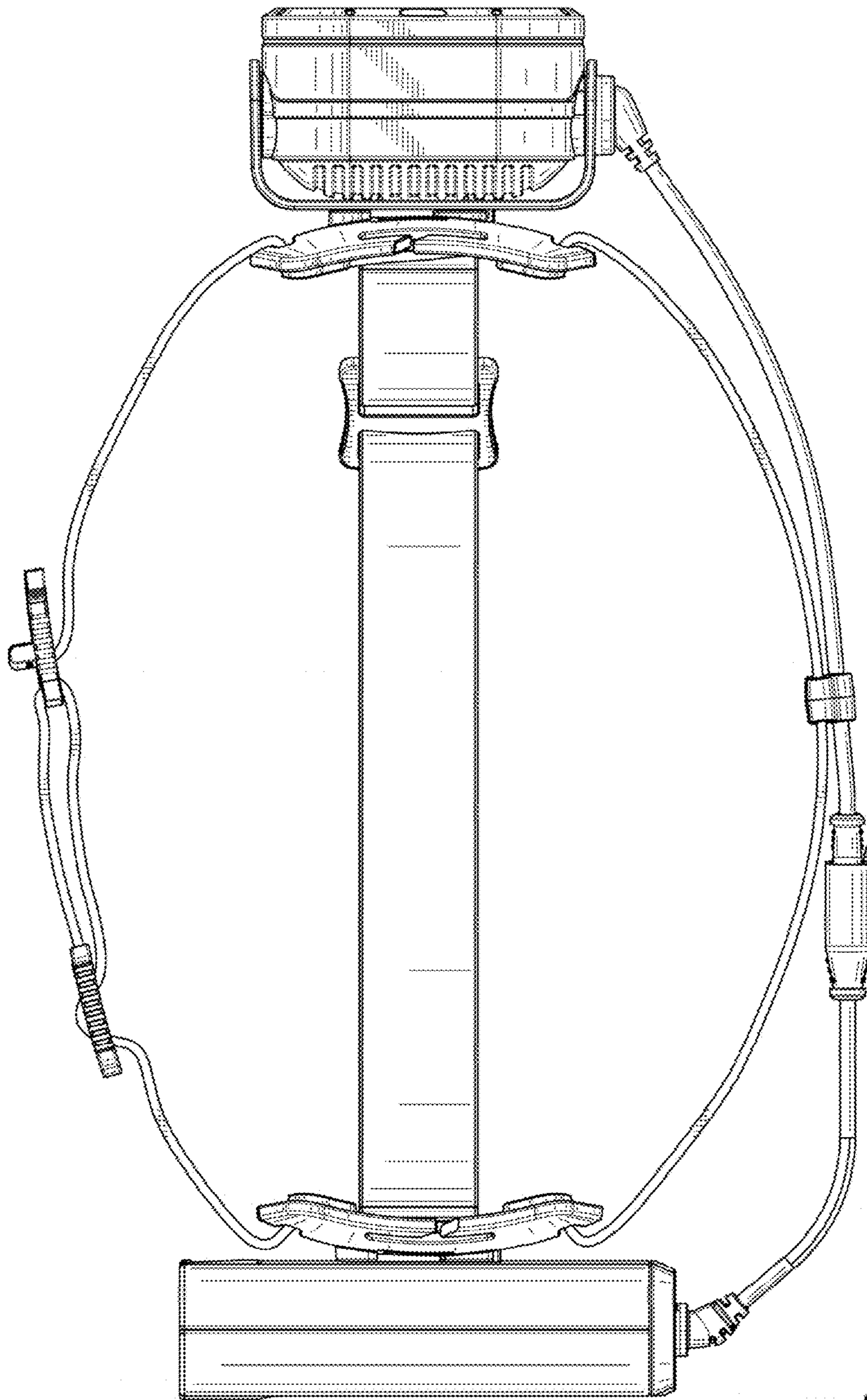


FIG. 7