



US00D936256S

(12) **United States Design Patent** (10) **Patent No.:** **US D936,256 S**
Kim et al. (45) **Date of Patent:** **** Nov. 16, 2021**

(54) **REAR COMBINATION LAMP FOR AN AUTOMOBILE**

F21S 43/40; F21W 2102/00; F21W 2102/13; F21W 2103/35; F21W 2103/45; F21W 2105/00

(71) Applicants: **Hyundai Motor Company**, Seoul (KR); **Kia Motors Corporation**, Seoul (KR)

See application file for complete search history.

(72) Inventors: **Sung Jun Kim**, Jeju-si (KR); **Dae Keun Ryu**, Hwaseong-si (KR)

(56) **References Cited**

U.S. PATENT DOCUMENTS

(73) Assignees: **Hyundai Motor Company**, Seoul (KR); **Kia Motors Corporation**, Seoul (KR)

| | | | | | | |
|-----------|----|---|---------|------------|-------|------------|
| D314,244 | S | * | 1/1991 | Matsumura | | D26/35 |
| D315,218 | S | * | 3/1991 | Matsumura | | D26/35 |
| D469,196 | S | * | 1/2003 | Ohsawa | | D26/35 |
| D526,430 | S | * | 8/2006 | Hernandez | | D26/31 |
| D740,473 | S | * | 10/2015 | Chen | | D26/35 |
| D759,278 | S | * | 6/2016 | Kim | | D26/31 |
| D762,893 | S | * | 8/2016 | Hsu | | D26/28 |
| D765,891 | S | * | 9/2016 | Varga | | D26/28 |
| D775,751 | S | * | 1/2017 | Jones, Jr. | | D26/28 |
| 9,564,049 | B2 | * | 2/2017 | Diba | | G08G 1/015 |
| D788,957 | S | * | 6/2017 | Hong | | D26/28 |
| D791,375 | S | * | 7/2017 | Lichte | | D26/28 |
| D809,168 | S | * | 1/2018 | Kennemer | | D26/28 |
| D815,765 | S | * | 4/2018 | Jacobsthal | | D26/28 |
| D822,237 | S | * | 7/2018 | Woodhouse | | D26/28 |
| D822,243 | S | * | 7/2018 | Lee | | D26/28 |

(**) **Term:** **15 Years**

(21) **Appl. No.:** **35/509,873**

(22) **Filed:** **Jan. 20, 2020**

(80) **Hague Agreement Data**

Int. Filing Date: **Jan. 20, 2020**
Int. Reg. No.: **DM/205751**
Int. Reg. Date: **Jan. 20, 2020**
Int. Reg. Pub. Date: **Jul. 24, 2020**

(Continued)

Primary Examiner — Steven J Czyz

(74) *Attorney, Agent, or Firm* — Mintz Levin Cohn Ferris Glovsky and Popeo, P.C.; Peter F. Corless

(30) **Foreign Application Priority Data**

Sep. 5, 2019 (KR) 30-2019-0042969

(51) **LOC (13) Cl.** **26-06**

(52) **U.S. Cl.**
USPC **D26/28**

(58) **Field of Classification Search**
USPC D26/28, 29, 30, 31, 34, 35, 36
CPC B60Q 1/00; B60Q 1/0011; B60Q 1/0041; B60Q 1/02; B60Q 1/04; B60Q 1/0408; B60Q 1/22; B60Q 1/26; B60Q 2300/10; B60Q 2400/00; B60Q 2400/10; B60Q 2400/20; B60Q 2500/10; F21S 41/00; F21S 41/10; F21S 41/151; F21S 41/20; F21S 43/00; F21S 43/10; F21S 43/20;

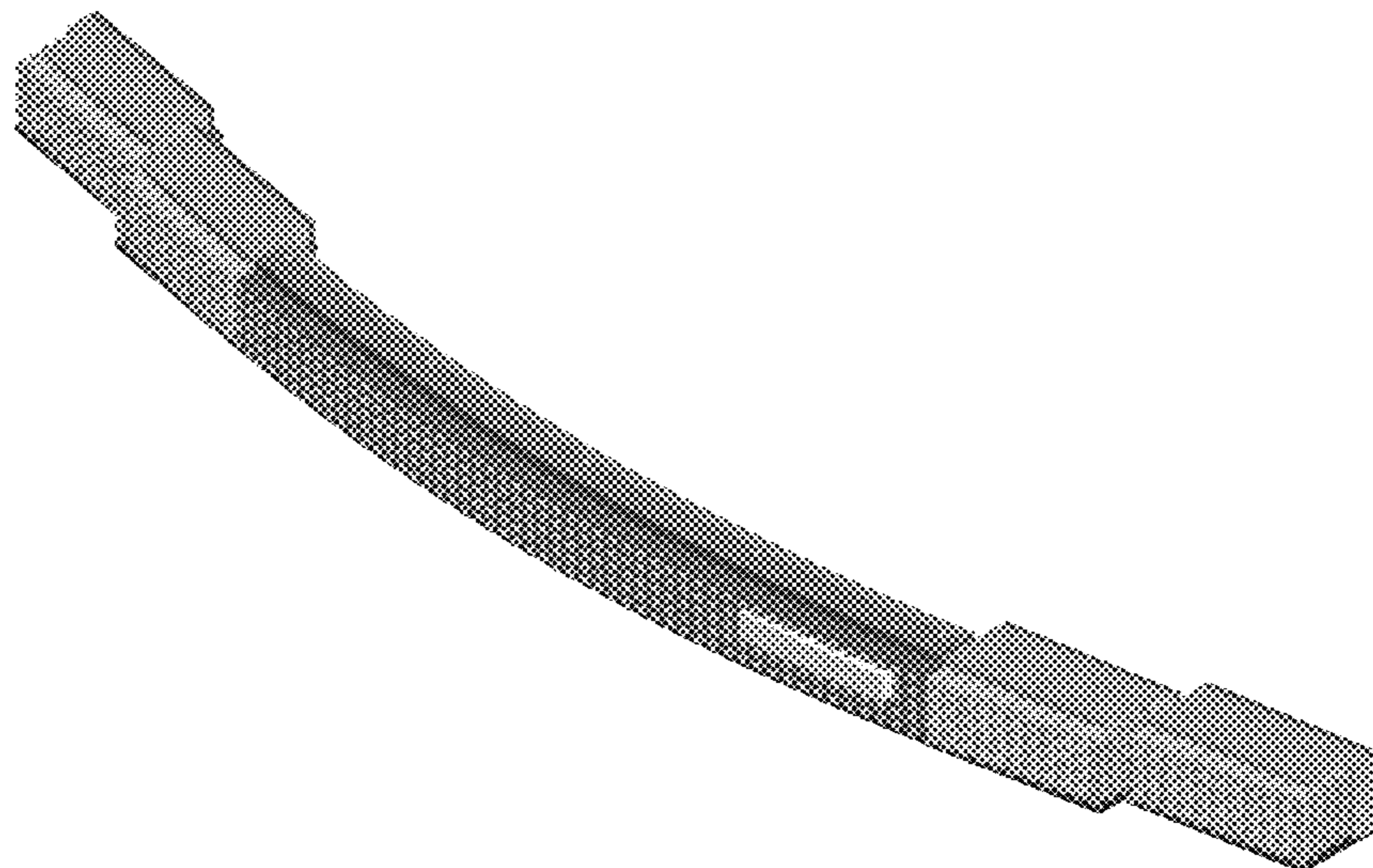
(57) **CLAIM**

The ornamental design for a rear combination lamp for an automobile, as shown and described.

DESCRIPTION

- 1. Rear combination lamp for an automobile
- 1.1 : Perspective
- 1.2 : Front
- 1.3 : Back
- 1.4 : Left
- 1.5 : Right
- 1.6 : Top
- 1.7 : Bottom

1 Claim, 7 Drawing Sheets



(56)

References Cited

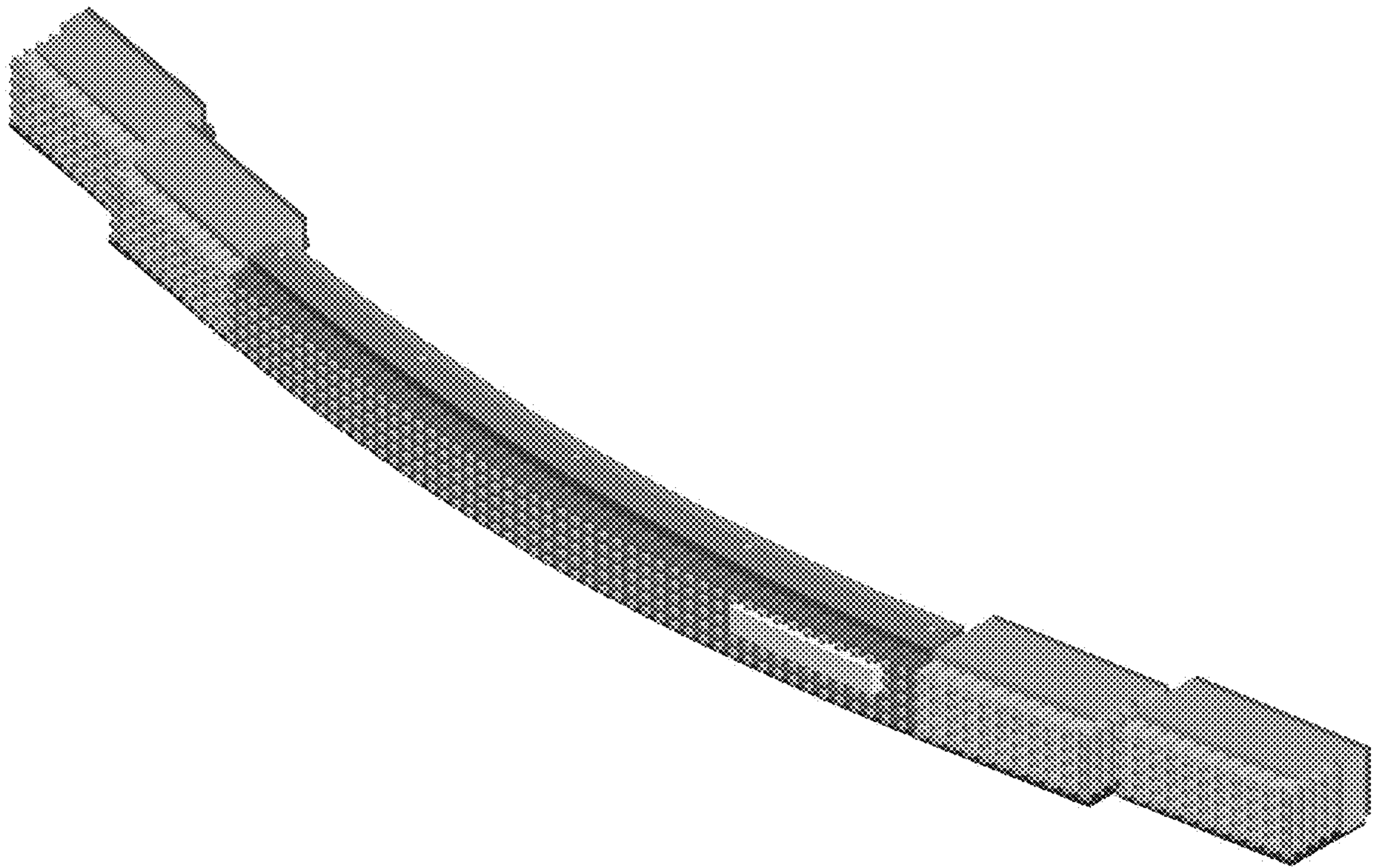
U.S. PATENT DOCUMENTS

D829,950 S * 10/2018 Ko D26/31
 10,100,995 B2 * 10/2018 Hirata B60Q 1/2607
 10,100,997 B2 * 10/2018 Albou B60Q 1/2607
 D837,422 S * 1/2019 Yamashita D26/28
 D837,427 S * 1/2019 Lee D26/28
 D845,520 S * 4/2019 Mossner D26/28
 D846,767 S * 4/2019 Thomas D26/28
 D846,768 S * 4/2019 Thomas D26/28
 D847,389 S * 4/2019 Thomas D26/28
 10,259,378 B2 * 4/2019 Ellwanger F21S 43/245
 10,272,826 B2 * 4/2019 Daylong H05B 45/00
 D855,843 S * 8/2019 Von Holzhausen D26/28
 D858,816 S * 9/2019 Ko D26/28
 D863,631 S * 10/2019 Flores D26/28
 D869,029 S * 12/2019 Wang D26/28
 D870,926 S * 12/2019 Lanini D26/28
 D870,931 S * 12/2019 Woodhouse D26/28

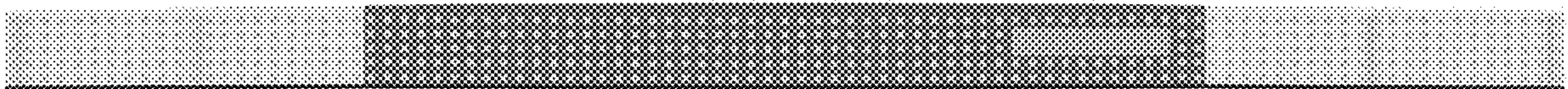
D871,625 S * 12/2019 Iida D26/28
 D872,325 S * 1/2020 Bauer D26/28
 D875,280 S * 2/2020 Lucas D26/28
 D877,371 S * 3/2020 Churchill D26/28
 D882,131 S * 4/2020 Goodrich D26/28
 D882,132 S * 4/2020 Hoste D26/28
 D887,051 S * 6/2020 Lai D26/31
 10,676,020 B1 * 6/2020 Stowell B60Q 1/0064
 D890,387 S * 7/2020 Kim D26/28
 D893,778 S * 8/2020 Kim D26/28
 D897,015 S * 9/2020 Gong D26/31
 D901,049 S * 11/2020 Stowell D26/31
 10,857,933 B2 * 12/2020 Kojima B60Q 1/503
 10,962,191 B1 * 3/2021 Go G02B 27/0961
 D918,444 S * 5/2021 Yu D26/28
 D919,863 S * 5/2021 Hong D26/28
 D921,244 S * 6/2021 Jung D26/28
 D921,246 S * 6/2021 Lee D26/28
 D921,939 S * 6/2021 He D26/28
 D922,630 S * 6/2021 Kim D26/28

* cited by examiner

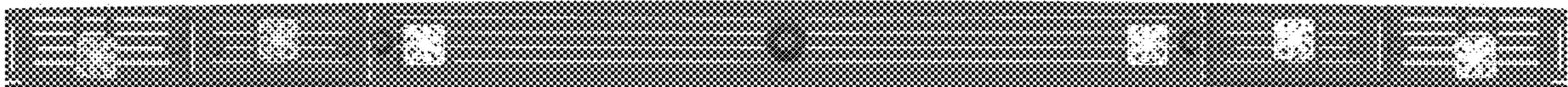
1.1



1.2



1.3



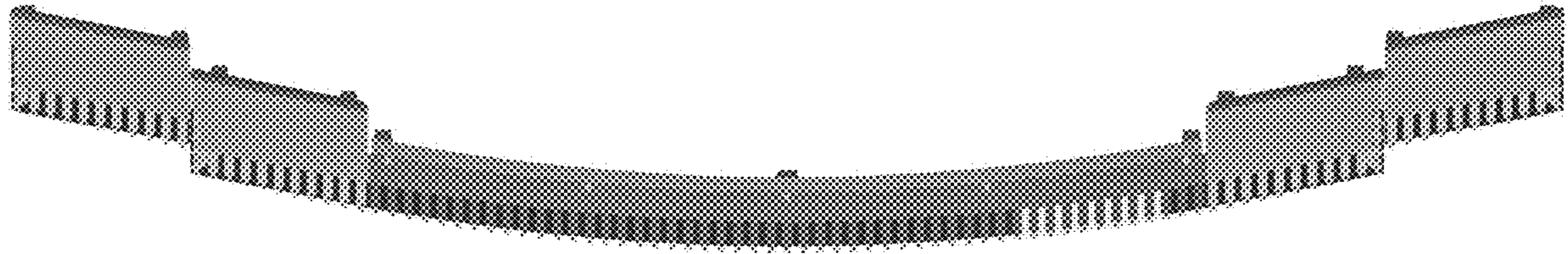
1.4



1.5



1.6



1.7

