



US00D936251S

(12) **United States Design Patent**
Hasegawa

(10) **Patent No.:** **US D936,251 S**

(45) **Date of Patent:** **** Nov. 16, 2021**

(54) **AUXILIARY ELECTRODE PORTION FOR A FLASH LAMP**

(71) Applicant: **HAMAMATSU PHOTONICS K.K.**,
Hamamatsu (JP)

(72) Inventor: **Yusuke Hasegawa**, Hamamatsu (JP)

(73) Assignee: **HAMAMATSU PHOTONICS K.K.**,
Hamamatsu (JP)

(**) Term: **15 Years**

(21) Appl. No.: **29/680,050**

(22) Filed: **Feb. 13, 2019**

(30) **Foreign Application Priority Data**

Oct. 17, 2018 (JP) 2018-022759

(51) **LOC (13) Cl.** **26-04**

(52) **U.S. Cl.**
USPC **D26/1**

(58) **Field of Classification Search**
USPC D26/1-4
CPC H01R 5/00; H01R 13/46; H01R 13/514;
H01R 31/048; H01R 31/02; H01J 5/00;
H01J 5/16; H01J 1/02; H01J 15/00; H01J
(Continued)

(56) **References Cited**

U.S. PATENT DOCUMENTS

4,941,070 A 7/1990 Ogawa et al.
D528,672 S * 9/2006 Nagai D26/1
(Continued)

FOREIGN PATENT DOCUMENTS

DE 3617662 A1 12/1987
JP 2006-302575 A 11/2006
(Continued)

Primary Examiner — Marcus A Jackson

(74) *Attorney, Agent, or Firm* — Faegre Drinker Biddle & Reath LLP

(57) **CLAIM**

The ornamental design for a auxiliary electrode portion for a flash lamp, as shown and described.

DESCRIPTION

FIG. 1 is a front perspective view of a first embodiment of a auxiliary electrode portion for a flash lamp showing our new design;

FIG. 2 is a rear perspective view thereof;

FIG. 3 is a front view thereof;

FIG. 4 is a rear view thereof;

FIG. 5 is a top plan view thereof;

FIG. 6 is a bottom view thereof;

FIG. 7 is a right side view thereof;

FIG. 8 is a left side view thereof;

FIG. 9 is an enlarged view taken along the line 9-9 in FIG. 3;

FIG. 10 is an enlarged view taken along the line 10-10 in FIG. 4;

FIG. 11 is an enlarged sectional view taken along the line 11-11 defined by the lines 1101-1101 in FIG. 7;

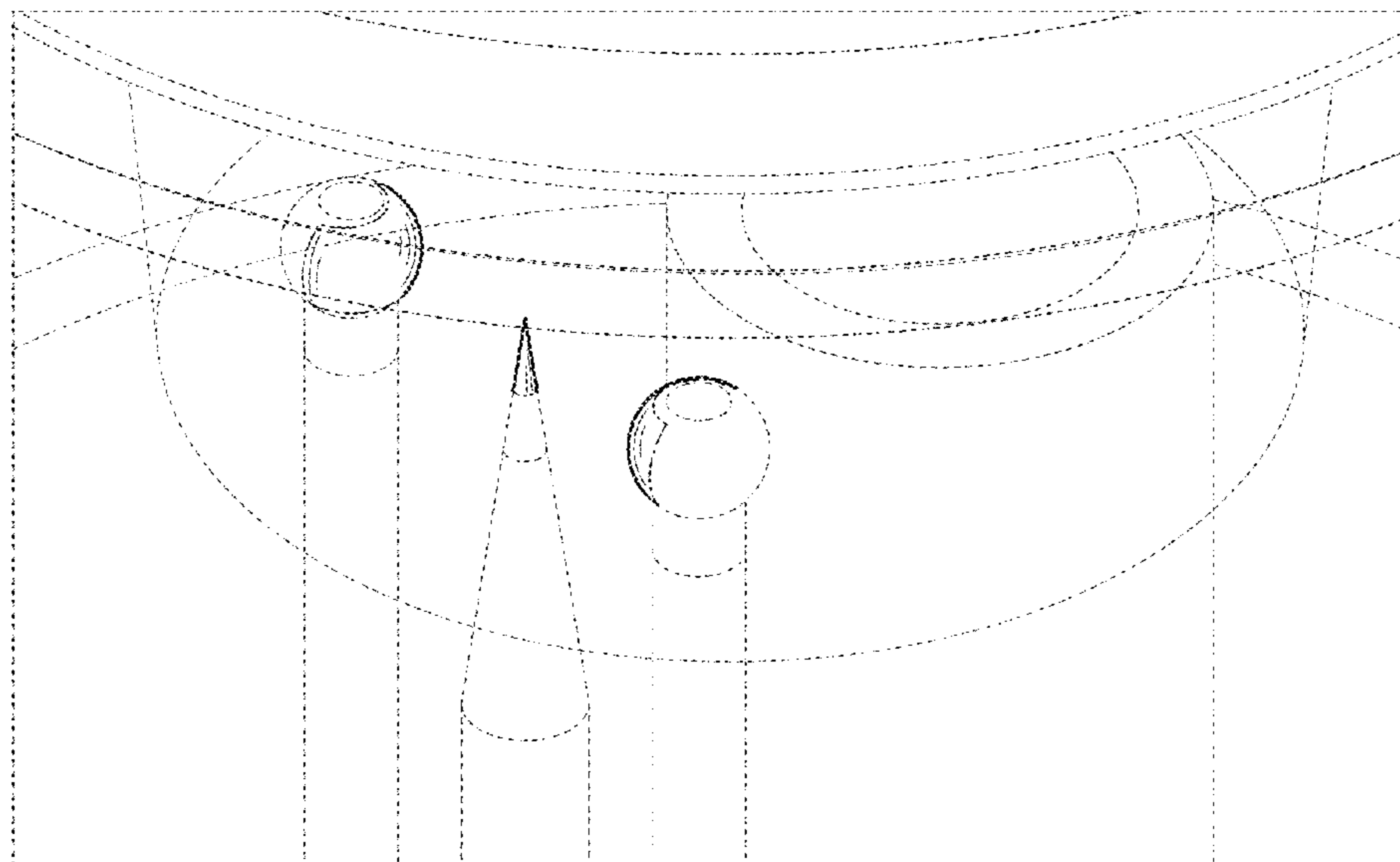
FIG. 12 is an enlarged sectional view taken along the line 12-12 defined by the lines 1101-1101 in FIG. 7;

FIG. 13 is an enlarged sectional view taken along the line 13-13 in FIG. 3; and,

FIG. 14 is an enlarged perspective view defined by the lines 1401-1401, 1402-1402, 1403-1403 and 1404-1404 in FIG. 2.

The features shown in broken lines depict environmental subject matter only and form no part of the claimed design. The alternate long and short dash lines are merely the boundary lines between the claimed parts and the non-claimed parts.

1 Claim, 14 Drawing Sheets



(58) **Field of Classification Search**

CPC 5/48; H01J 5/50; H01J 19/54; F21V 5/00;
F21K 9/00; F21K 13/00

See application file for complete search history.

(56) **References Cited**

U.S. PATENT DOCUMENTS

D535,037 S * 1/2007 Kim D26/1
D578,671 S * 10/2008 Kanayama D26/1

FOREIGN PATENT DOCUMENTS

JP 2012-248353 A 12/2012
WO WO-03/030212 A1 4/2003

* cited by examiner

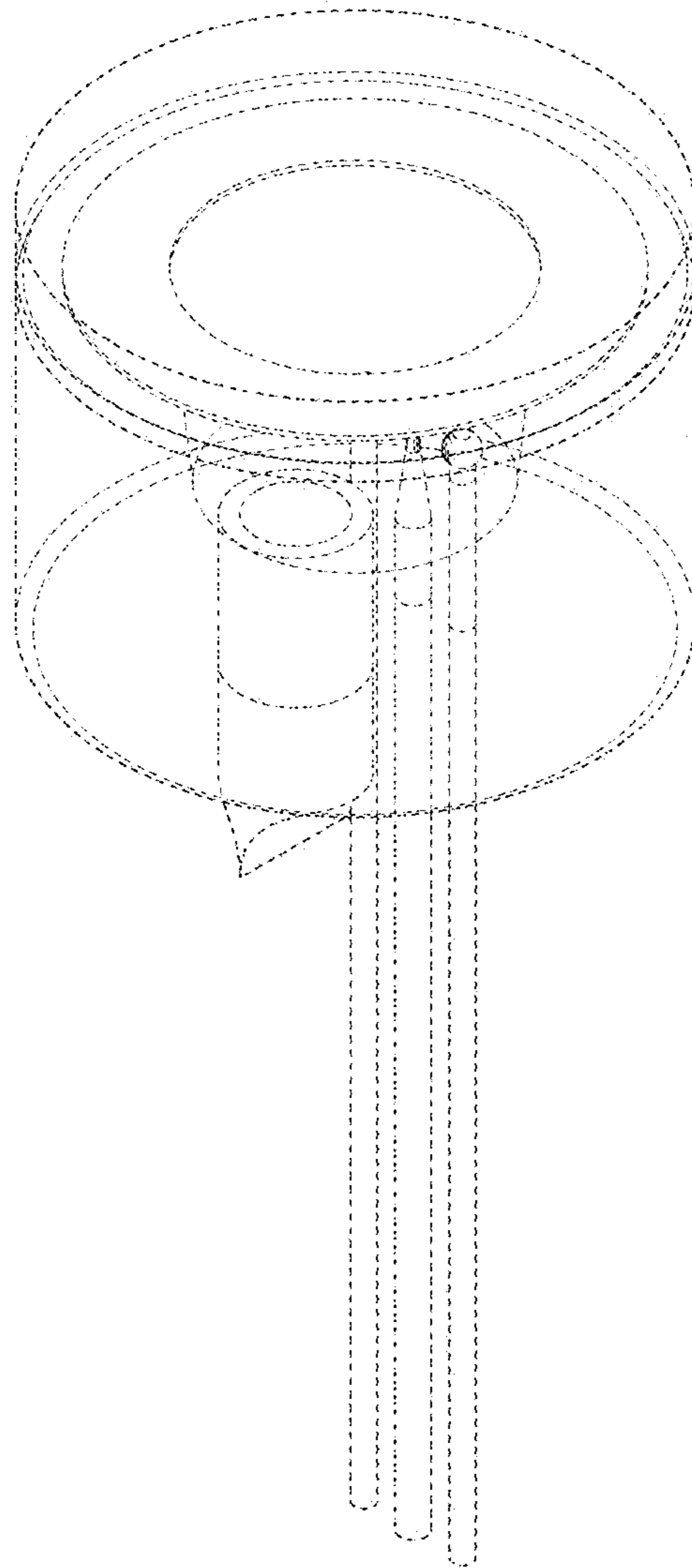


FIG. 1

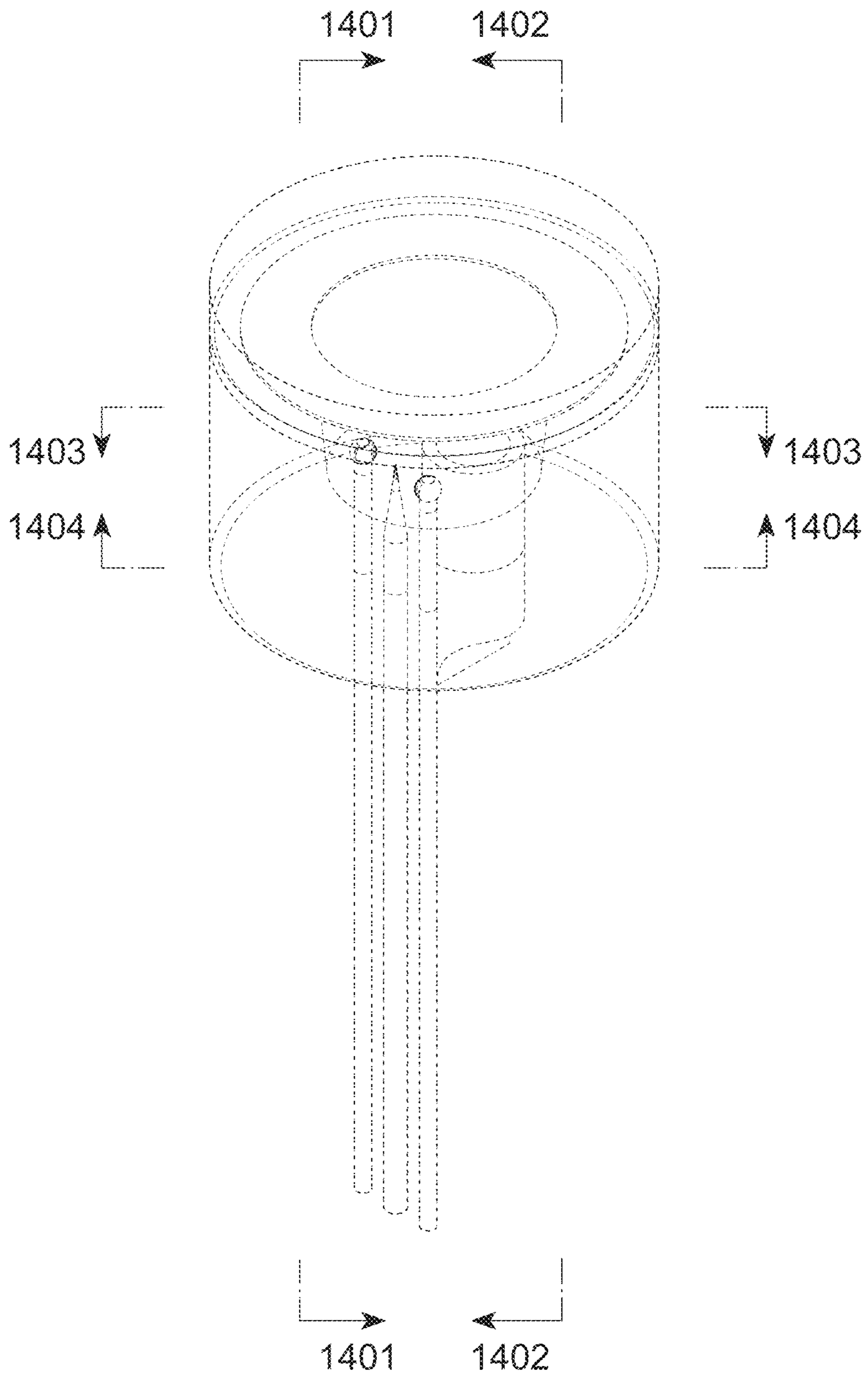


FIG. 2

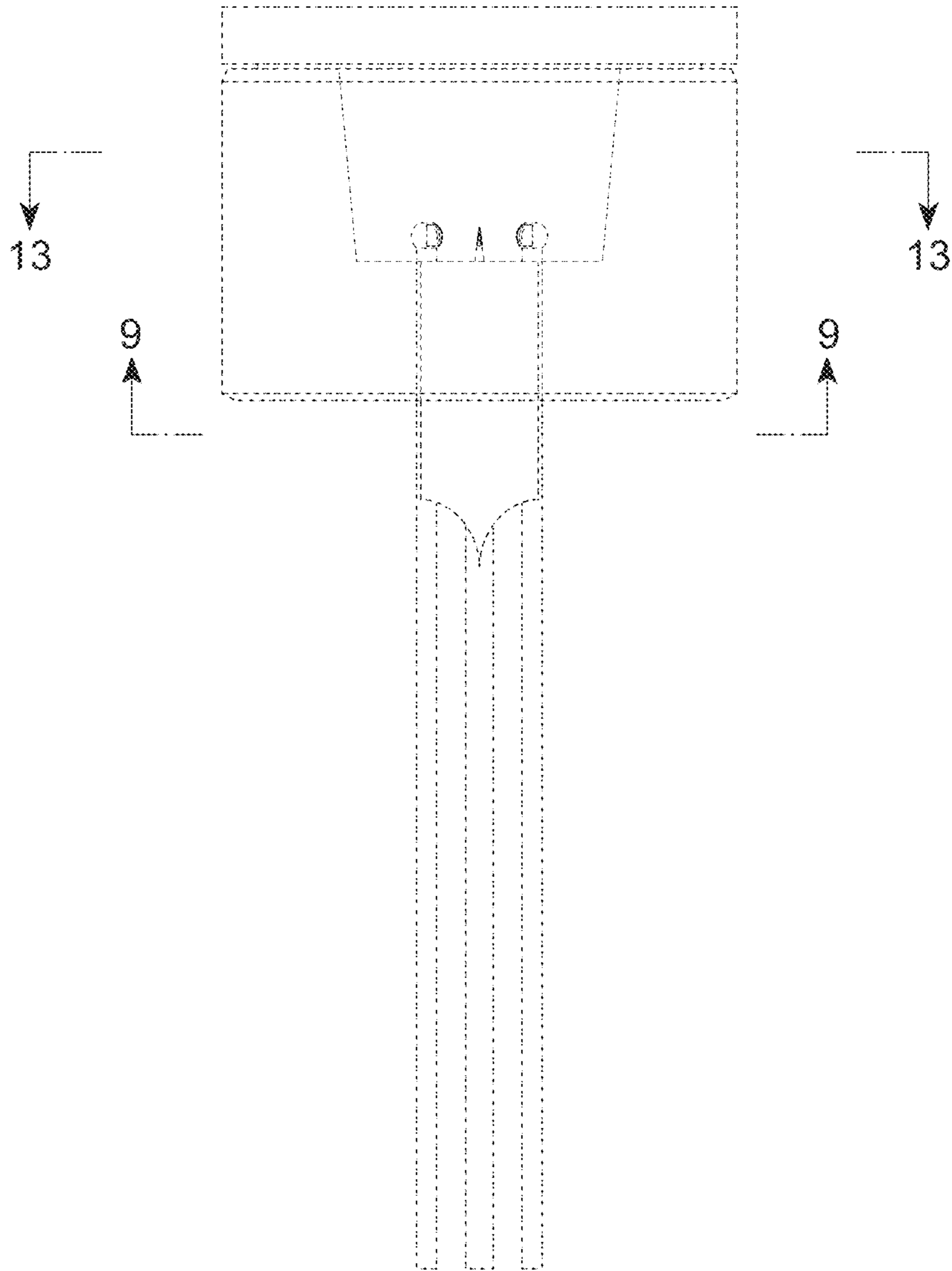


FIG. 3

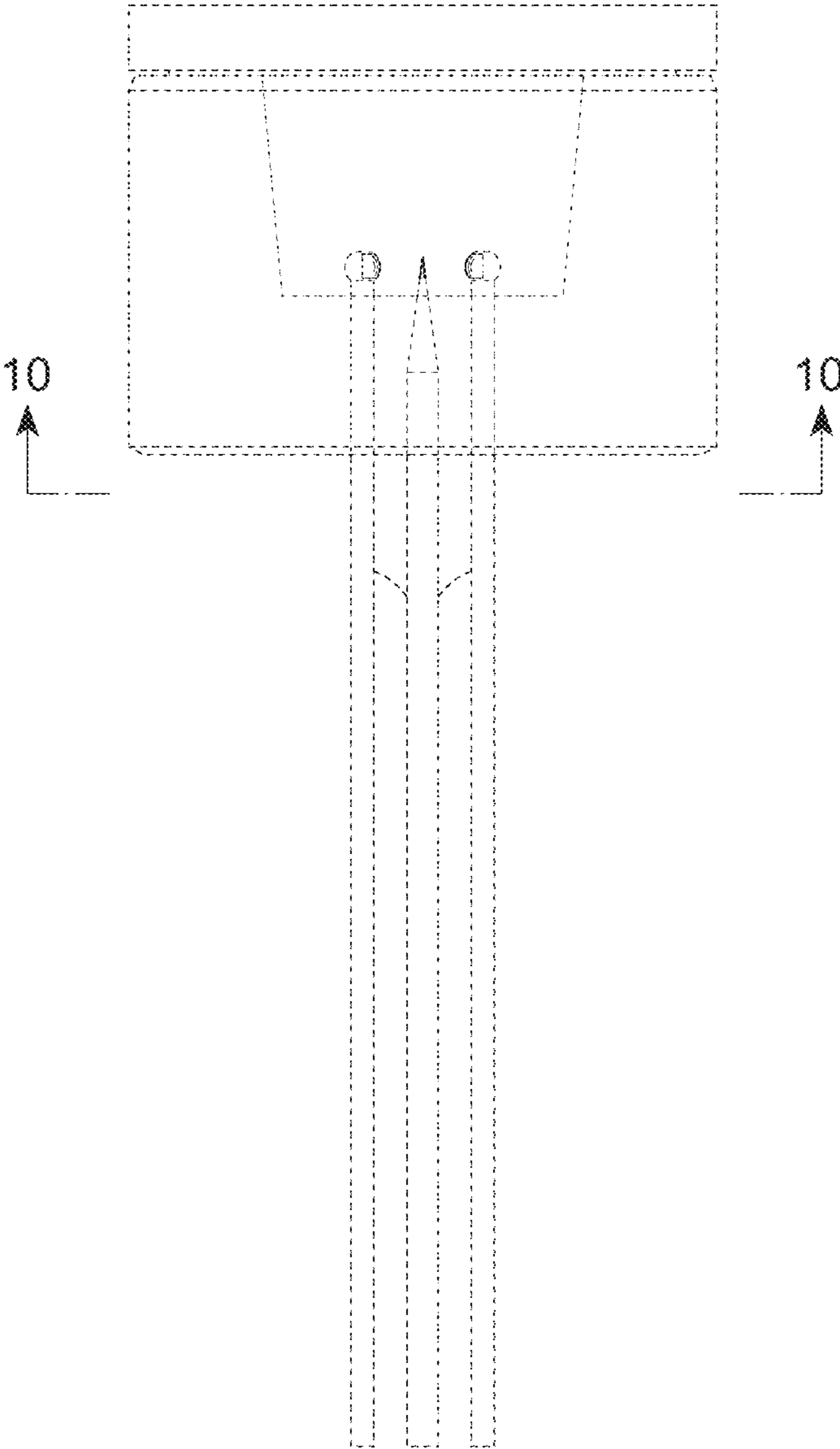


FIG. 4

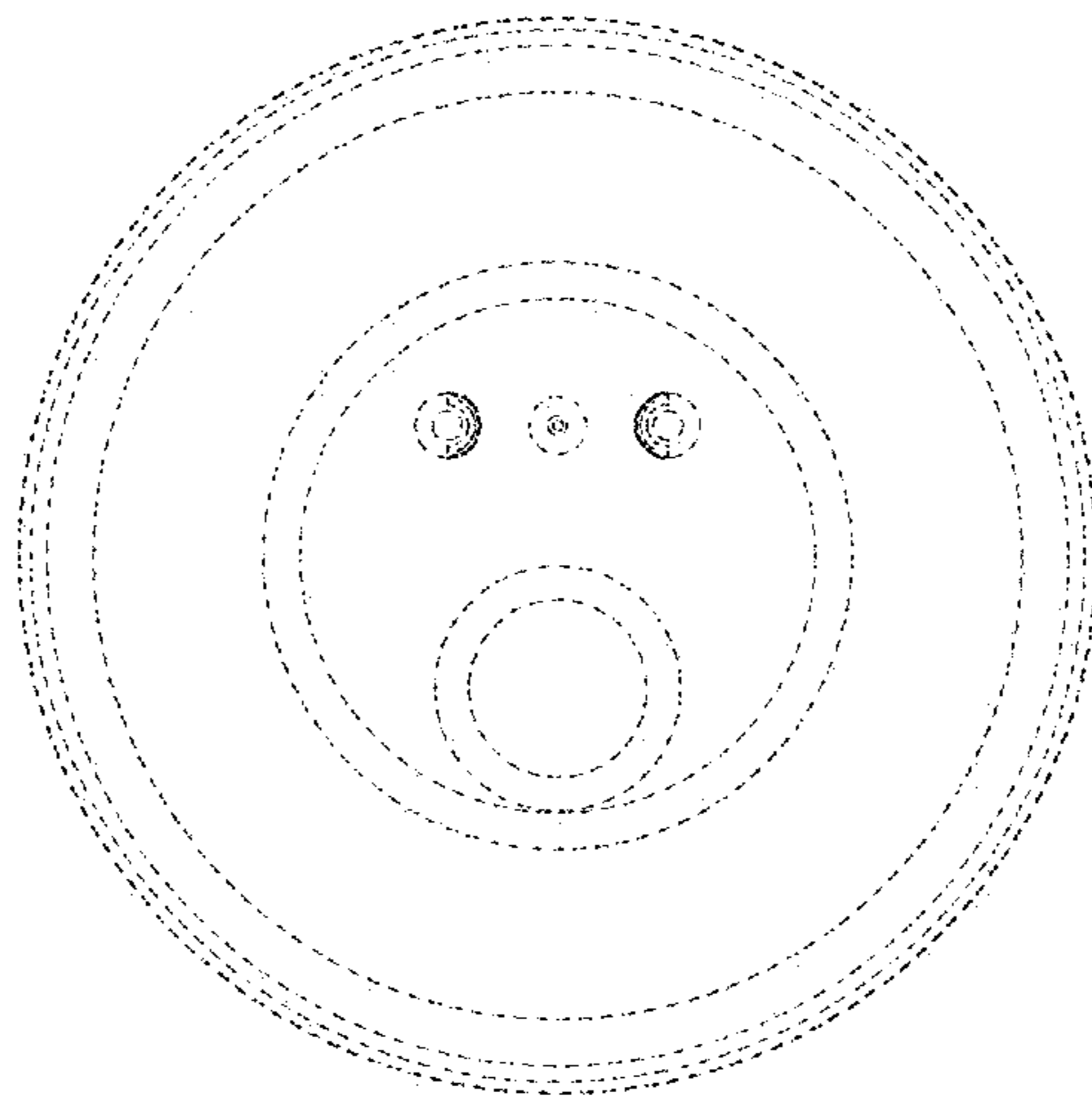


FIG. 5

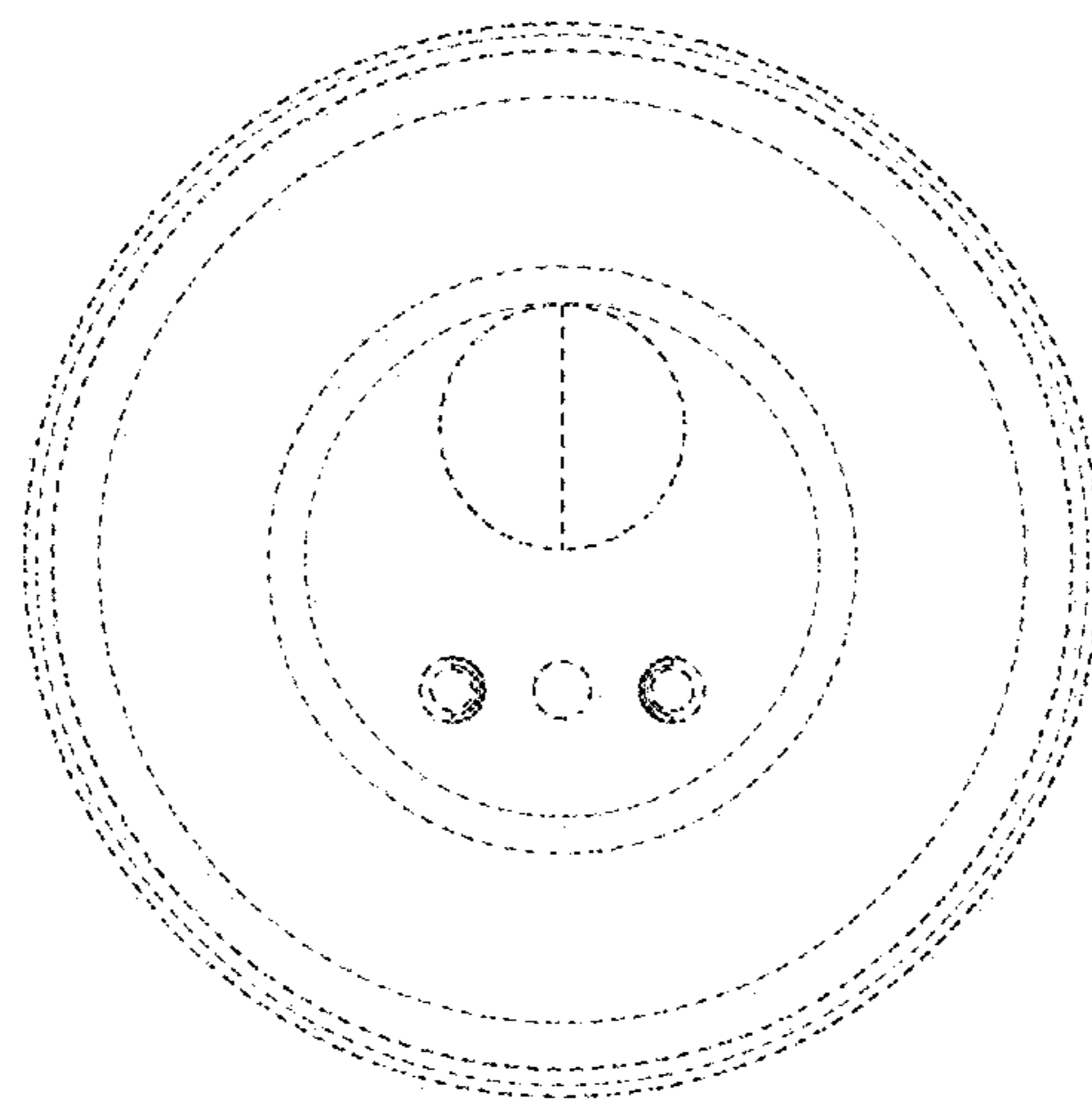


FIG. 6

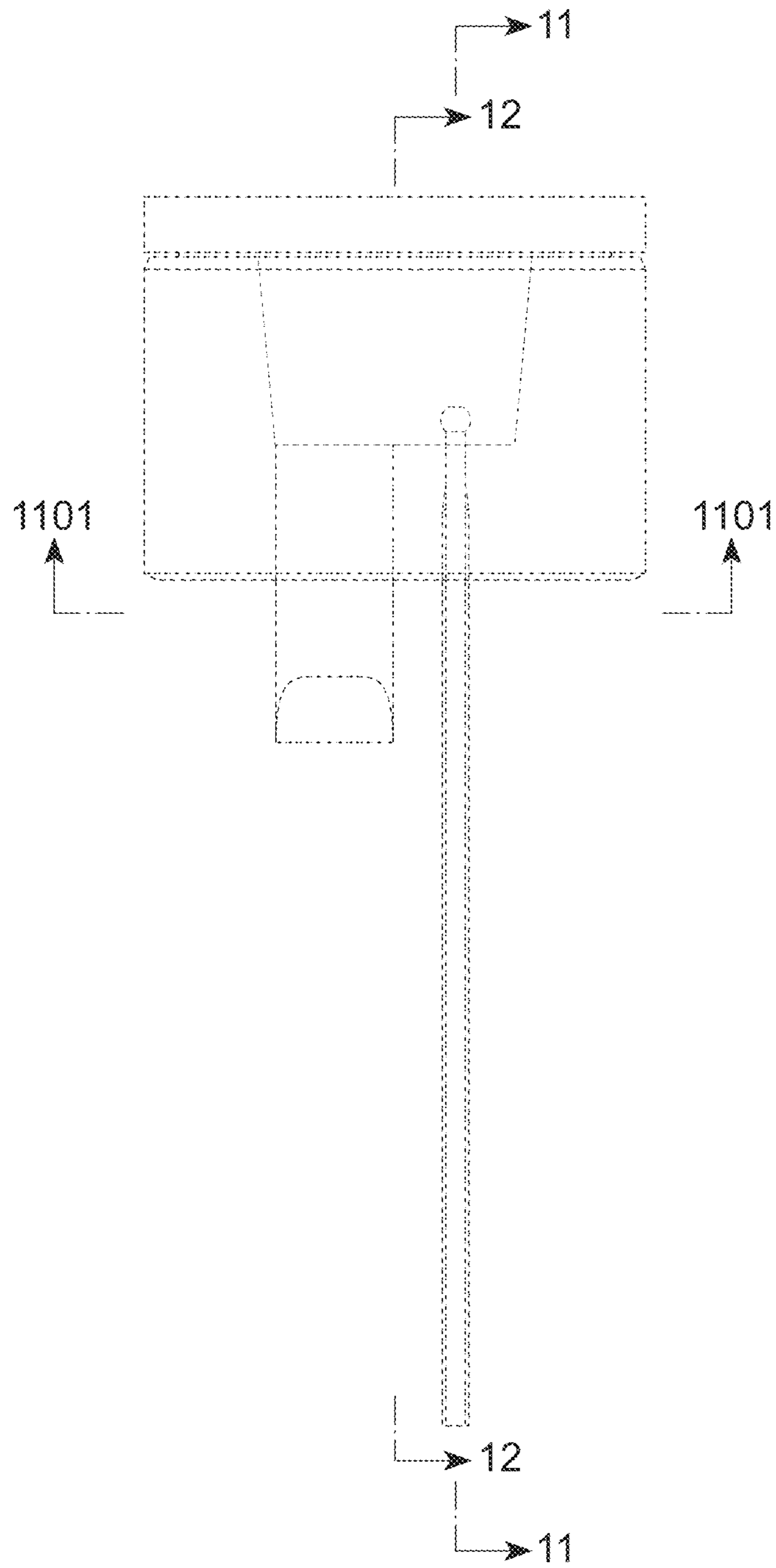


FIG. 7

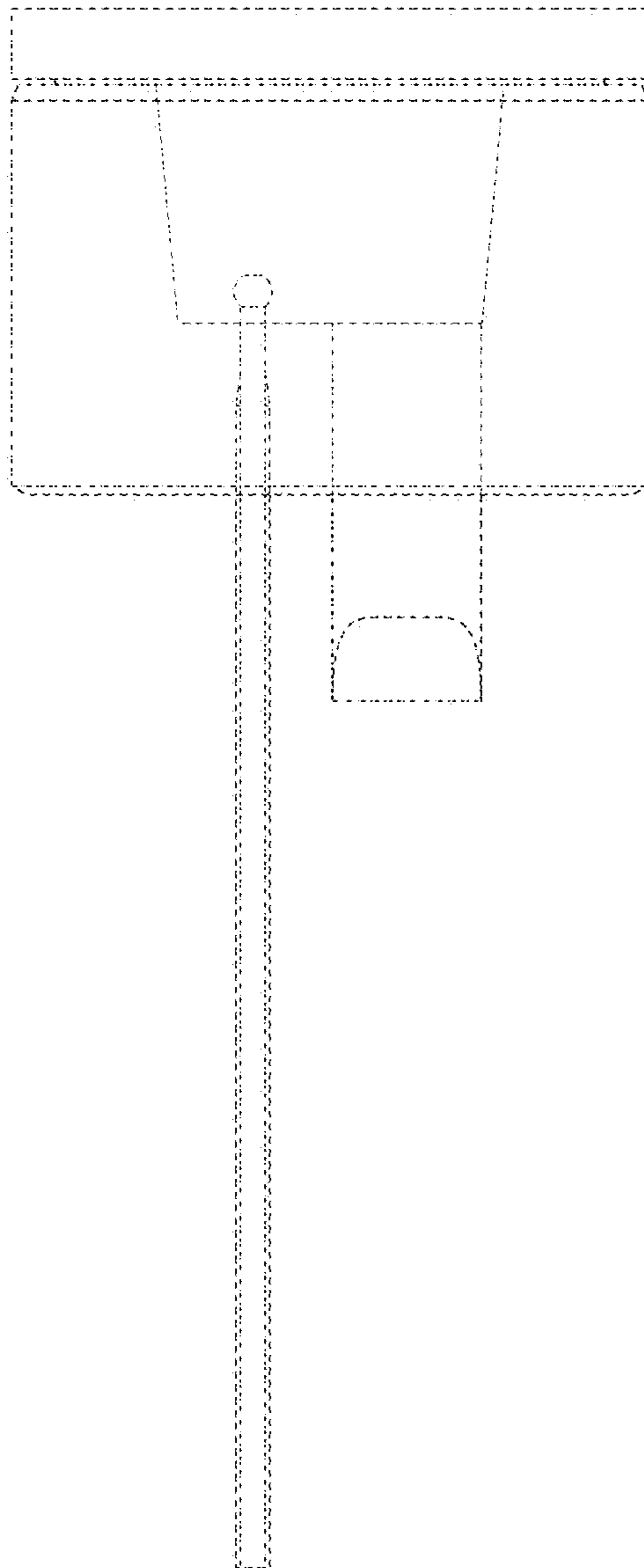


FIG. 8

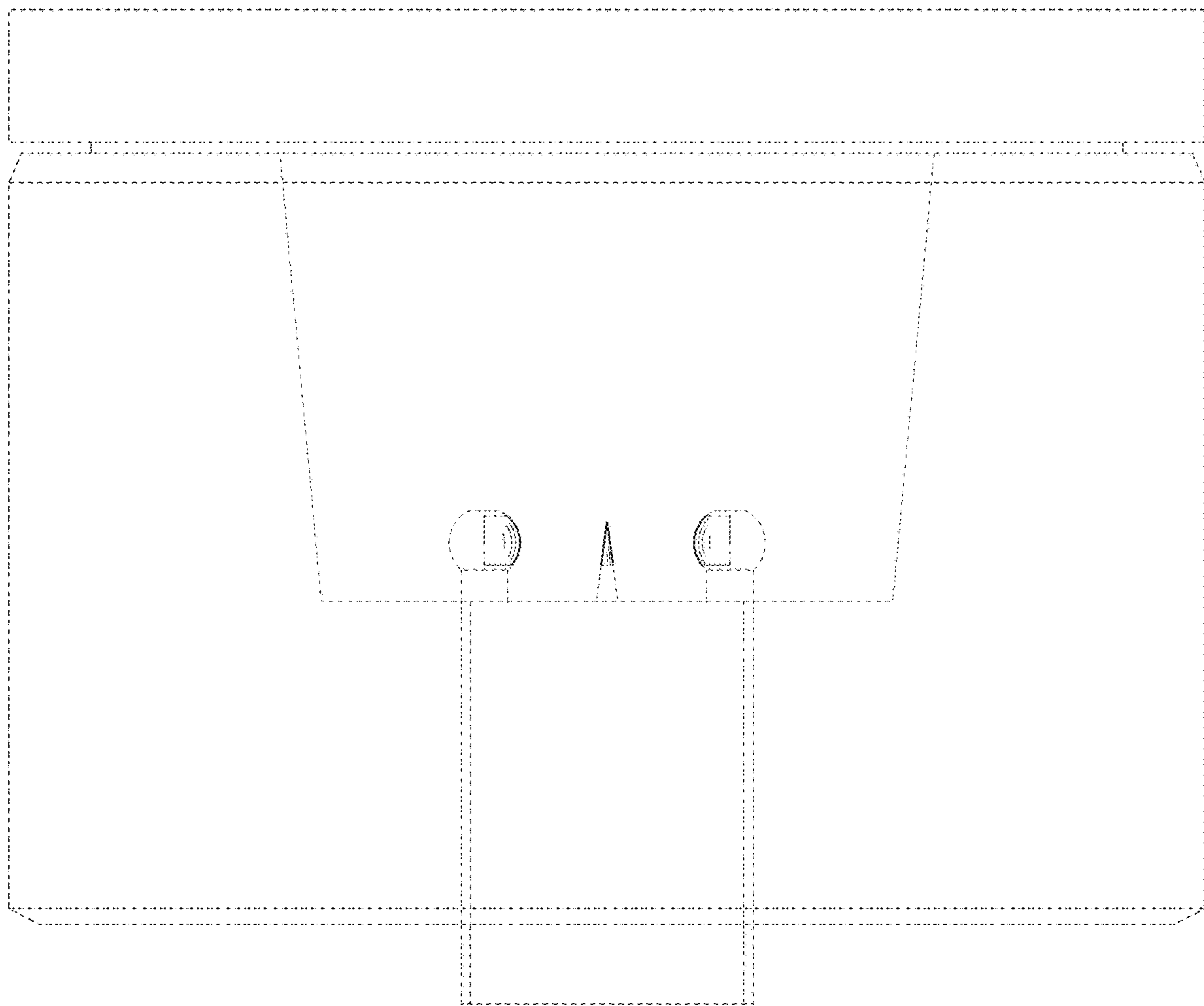


FIG. 9

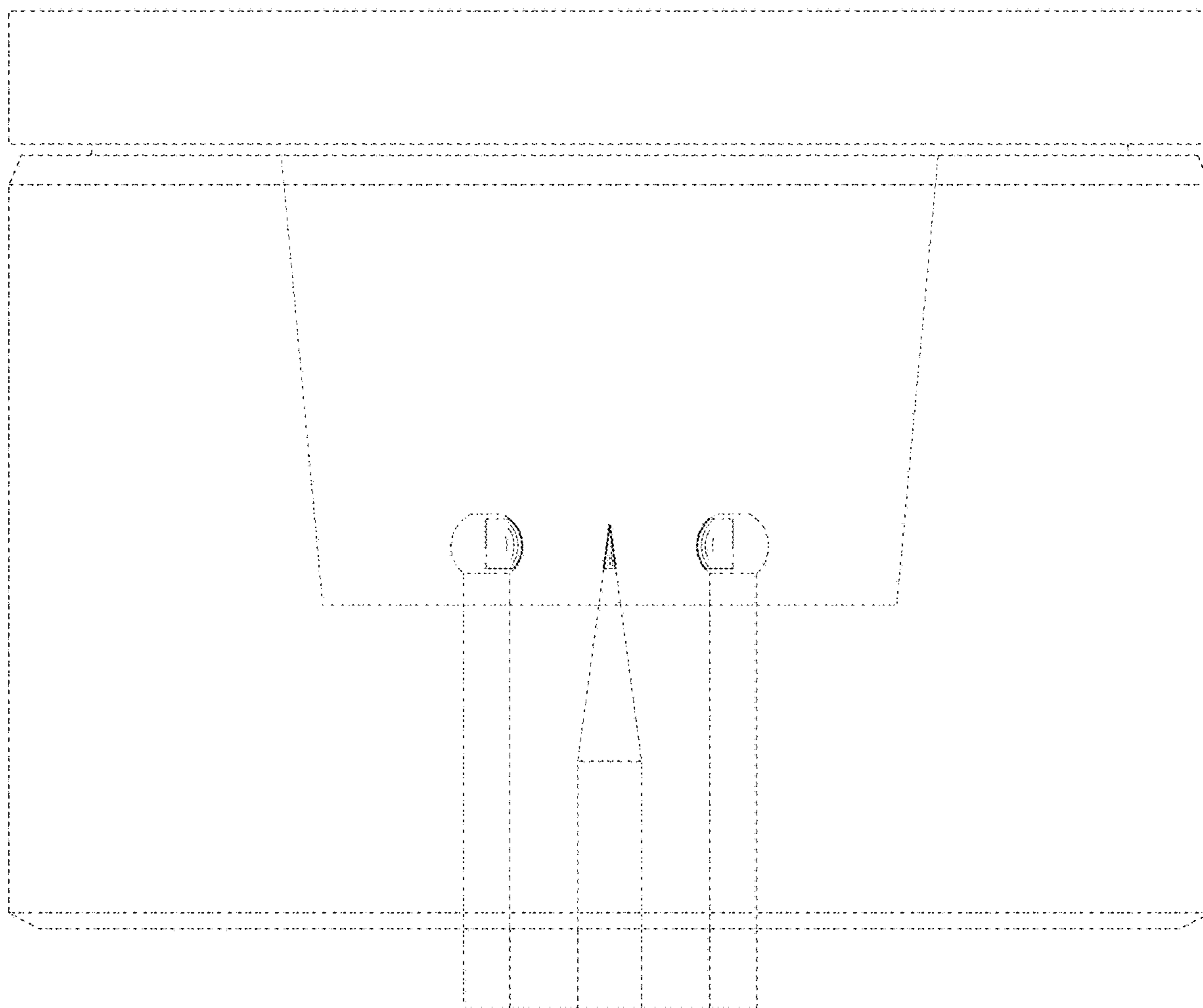


FIG. 10

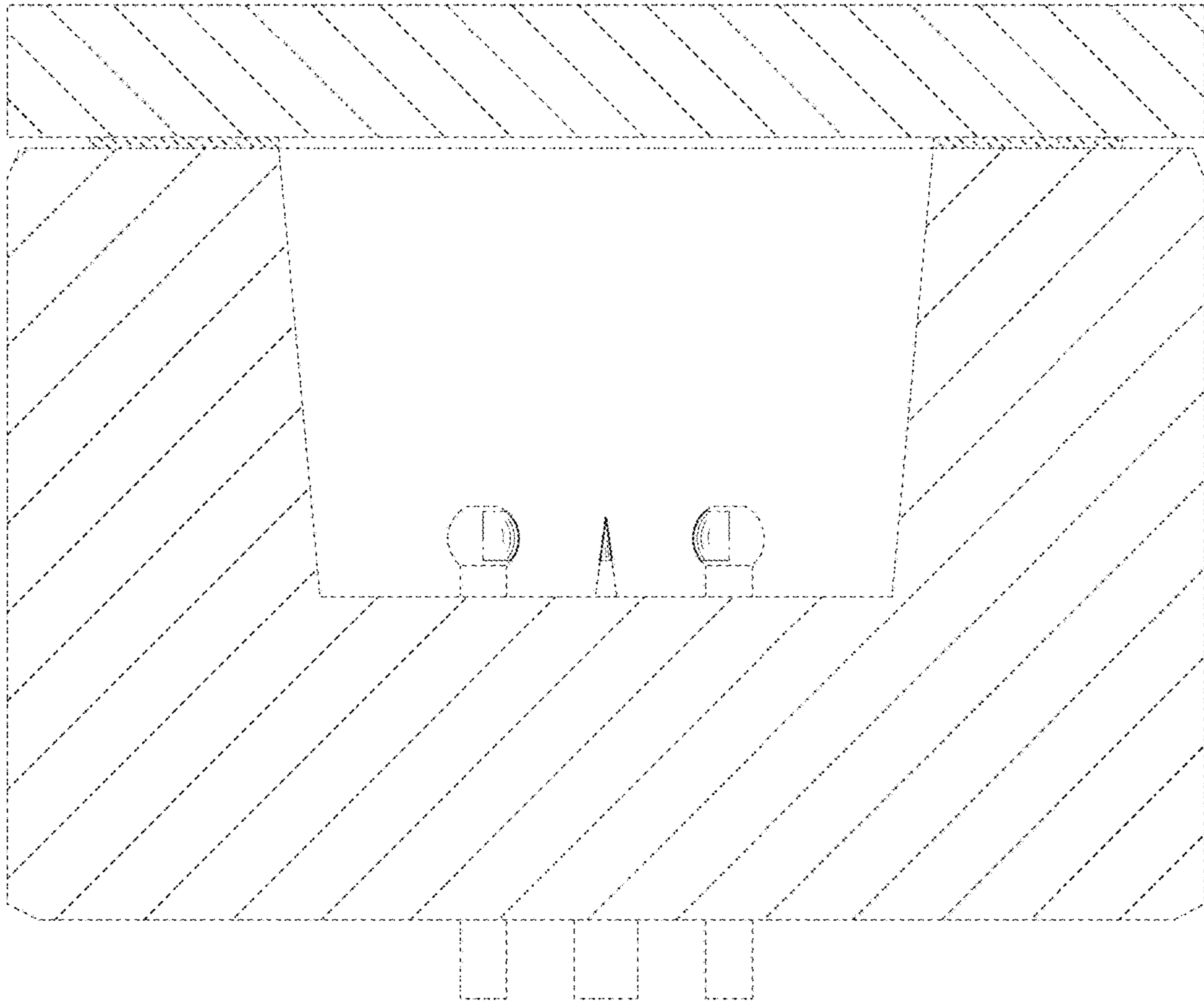


FIG. 11

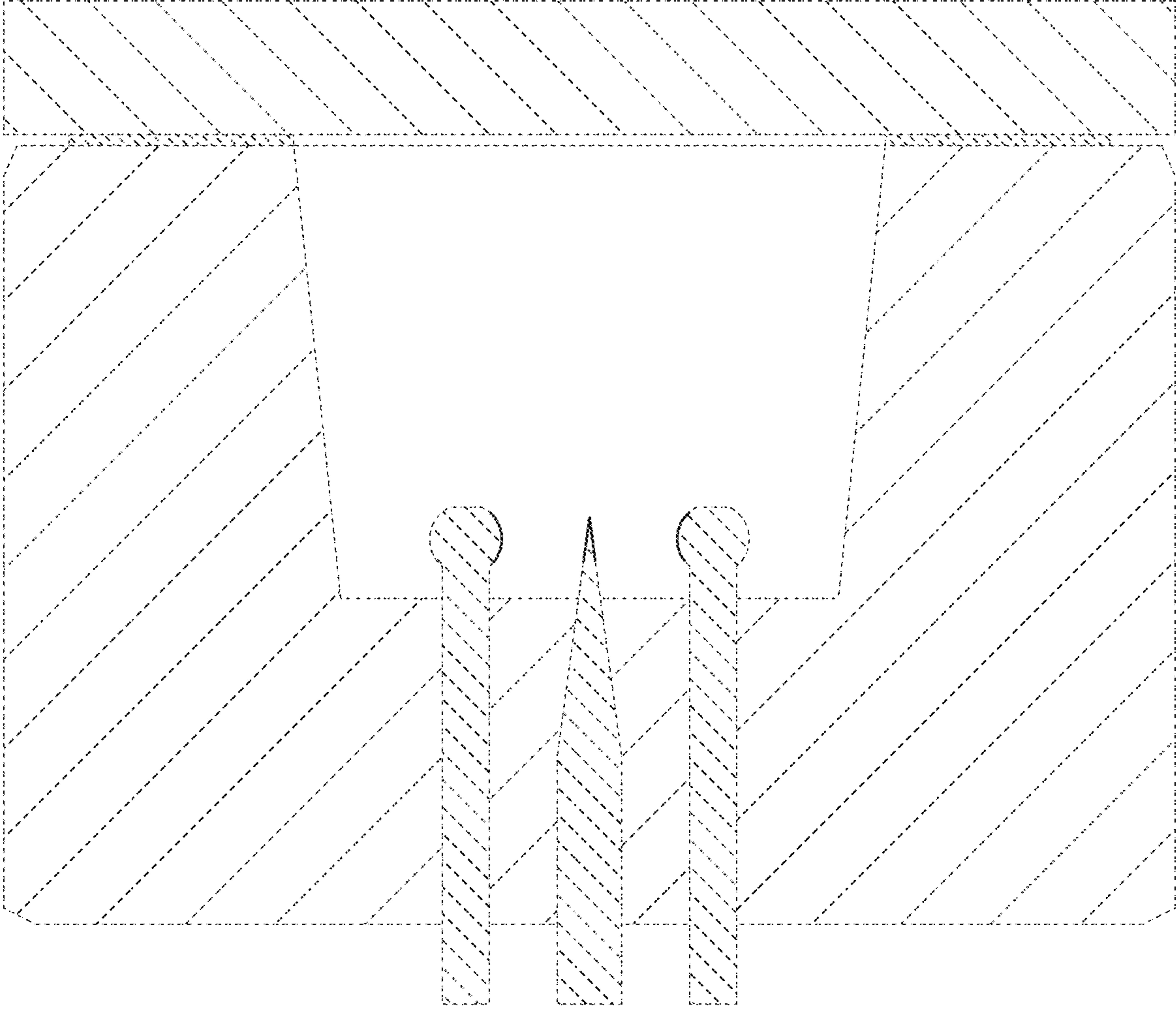


FIG. 12

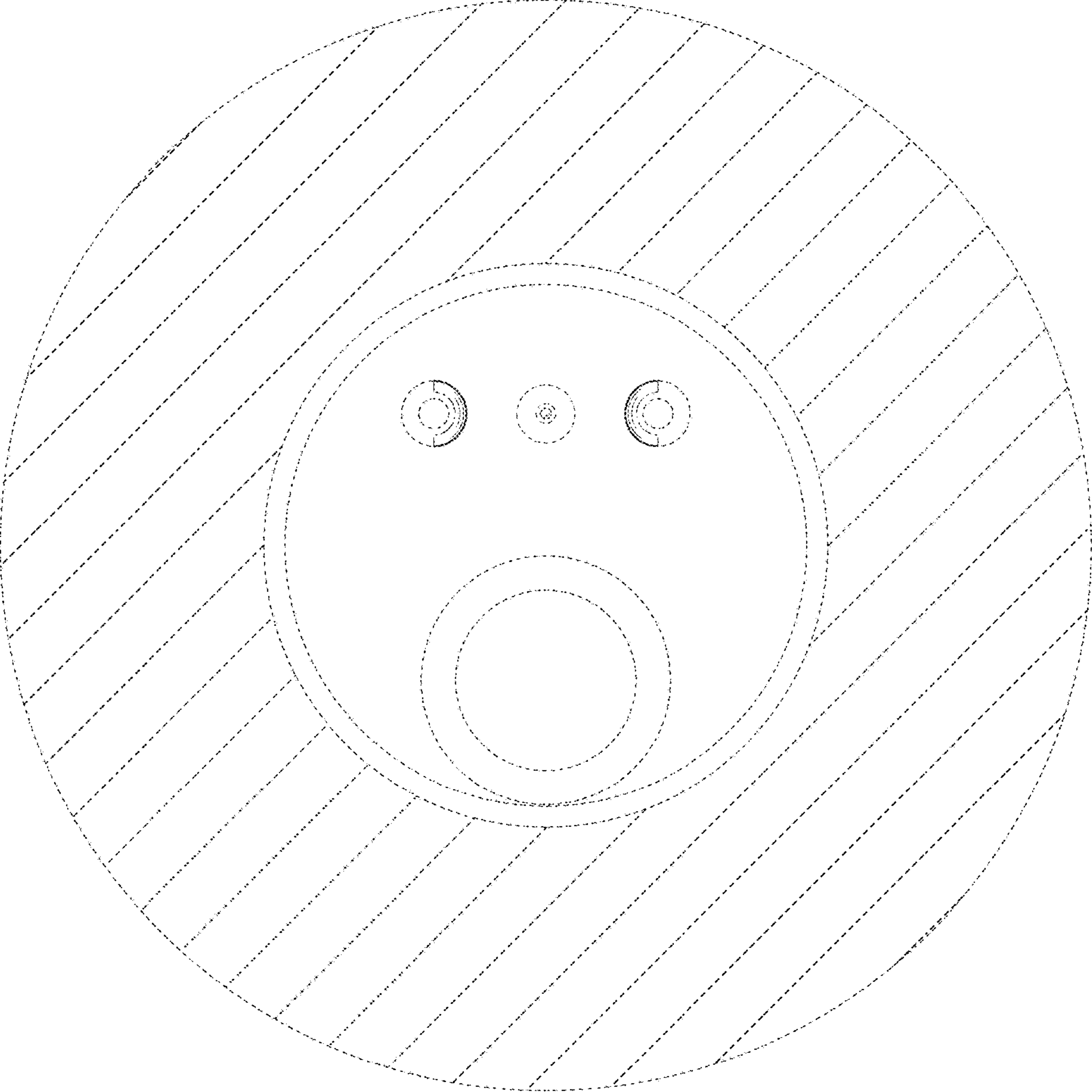


FIG. 13

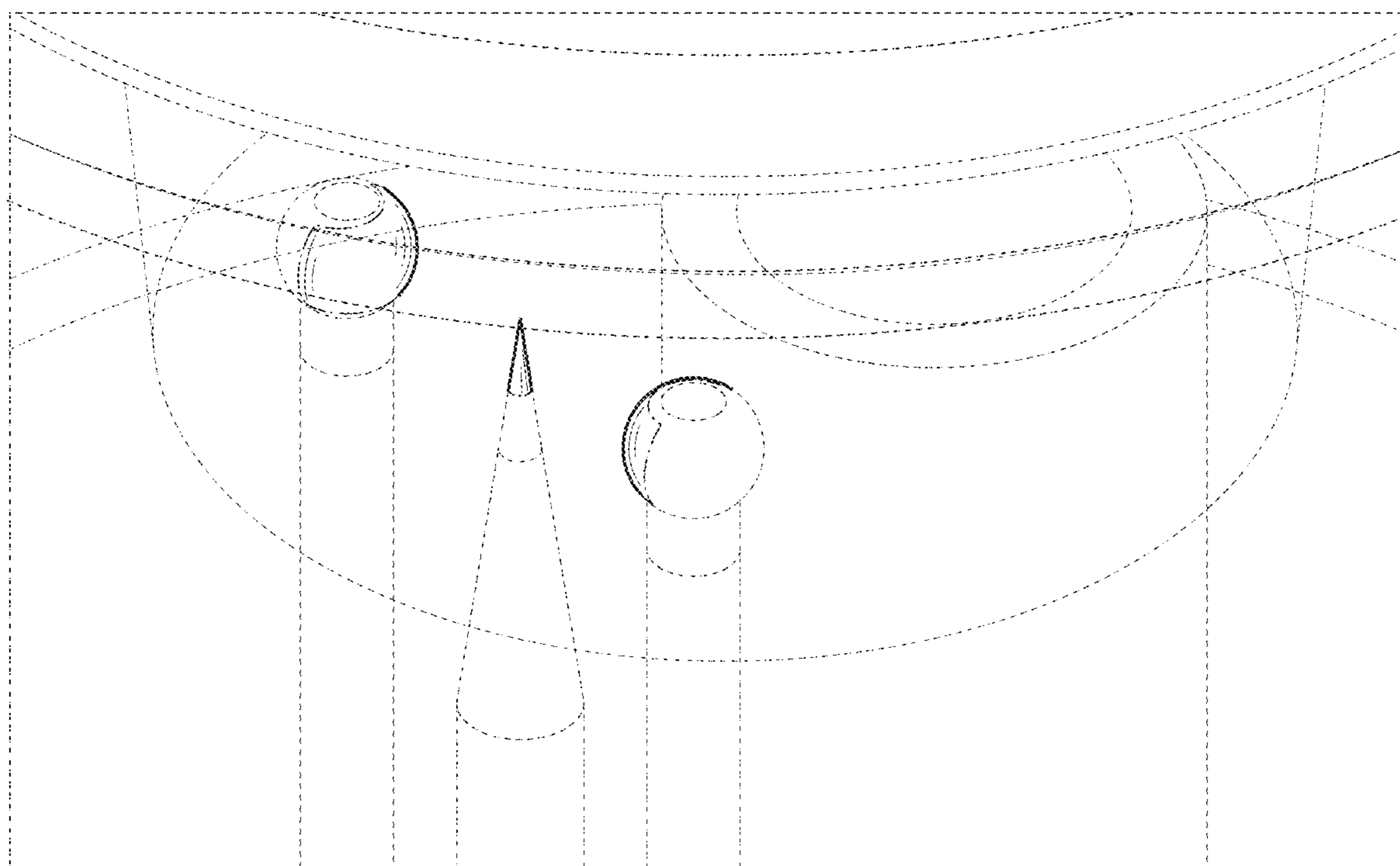


FIG. 14