



US00D936250S

(12) **United States Design Patent**  
**Oddy**

(10) **Patent No.:** **US D936,250 S**

(45) **Date of Patent:** **\*\* Nov. 16, 2021**

(54) **PIPE FLASHING FOR ROOFING**  
(71) Applicant: **Ryan Oddy**, Miles City, MT (US)  
(72) Inventor: **Ryan Oddy**, Miles City, MT (US)  
(\*\*) Term: **15 Years**

D585,968 S \* 2/2009 Elkins ..... D23/259  
D662,230 S \* 6/2012 Cline ..... D25/199  
8,397,438 B2 3/2013 Hoy  
9,181,705 B2 11/2015 Lanza  
9,869,095 B2 \* 1/2018 West ..... E04D 13/1476  
9,879,430 B2 \* 1/2018 West ..... E04D 13/1476  
9,909,320 B2 \* 3/2018 Vowles ..... E04D 13/1476  
10,138,634 B2 \* 11/2018 Ereksen ..... E04D 13/1476

\* cited by examiner

(21) Appl. No.: **29/745,228**  
(22) Filed: **Aug. 4, 2020**  
(51) **LOC (13) Cl.** ..... **25-99**  
(52) **U.S. Cl.**  
USPC ..... **D25/199**  
(58) **Field of Classification Search**  
USPC ..... D25/199; D23/259  
CPC . E04D 2013/1422; E04D 3/38; E04D 13/143;  
E04D 13/147; E04C 13/1476; E04F  
17/026  
See application file for complete search history.

*Primary Examiner* — Doris Clark  
(74) *Attorney, Agent, or Firm* — Michael C. Balaguy

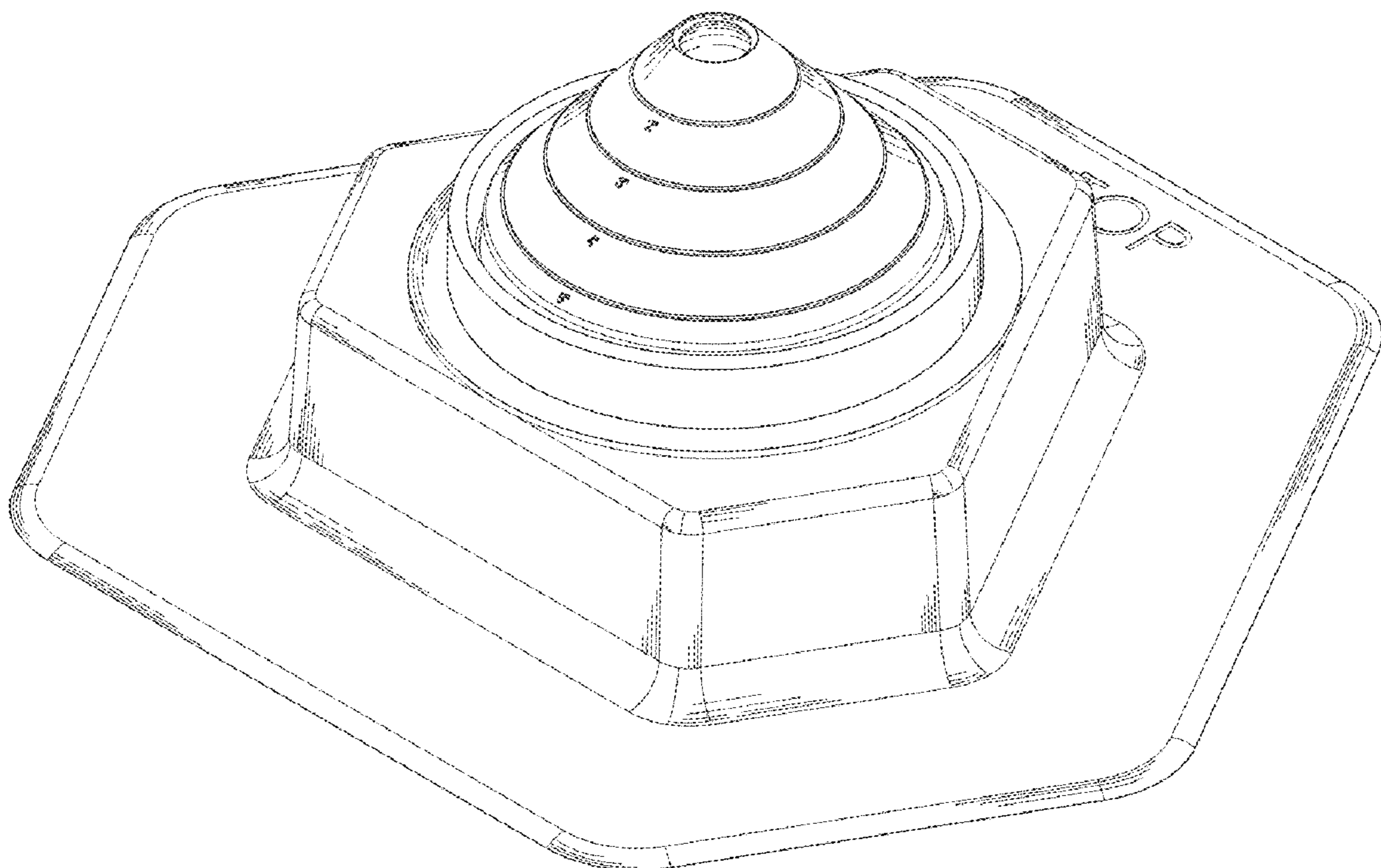
(57) **CLAIM**  
The ornamental design for a pipe flashing for roofing, as shown and described.

(56) **References Cited**  
U.S. PATENT DOCUMENTS  
3,602,530 A \* 8/1971 Elwart ..... E04D 13/1471  
285/4  
3,871,145 A 3/1975 Hatmaker  
3,905,165 A \* 9/1975 Kneisel ..... E04D 3/40  
52/58  
D292,233 S \* 10/1987 Schalle ..... D25/199  
5,036,636 A \* 8/1991 Hasty ..... E04D 13/1476  
52/100  
D364,933 S \* 12/1995 Schalle ..... D25/199  
6,620,271 B2 9/2003 Mayle et al.  
7,114,301 B2 \* 10/2006 Bibaud ..... E04D 13/1476  
52/219

**DESCRIPTION**

FIG. 1 is a top-right-front perspective view of the pipe flashing for roofing.  
FIG. 2 is a top-right-rear view of the pipe flashing for roofing of FIG. 1.  
FIG. 3 is a top-left-rear view of the pipe flashing for roofing of FIG. 1.  
FIG. 4 is a top-left-front view of the pipe flashing for roofing of FIG. 1.  
FIG. 5 is a bottom-left-front view of the pipe flashing for roofing of FIG. 1.  
FIG. 6 is a bottom-left-rear view of the pipe flashing for roofing of FIG. 1.  
FIG. 7 is a bottom-right-rear view of the pipe flashing for roofing of FIG. 1; and,  
FIG. 8 is a bottom-right-front view of the pipe flashing for roofing of FIG. 1.

**1 Claim, 8 Drawing Sheets**



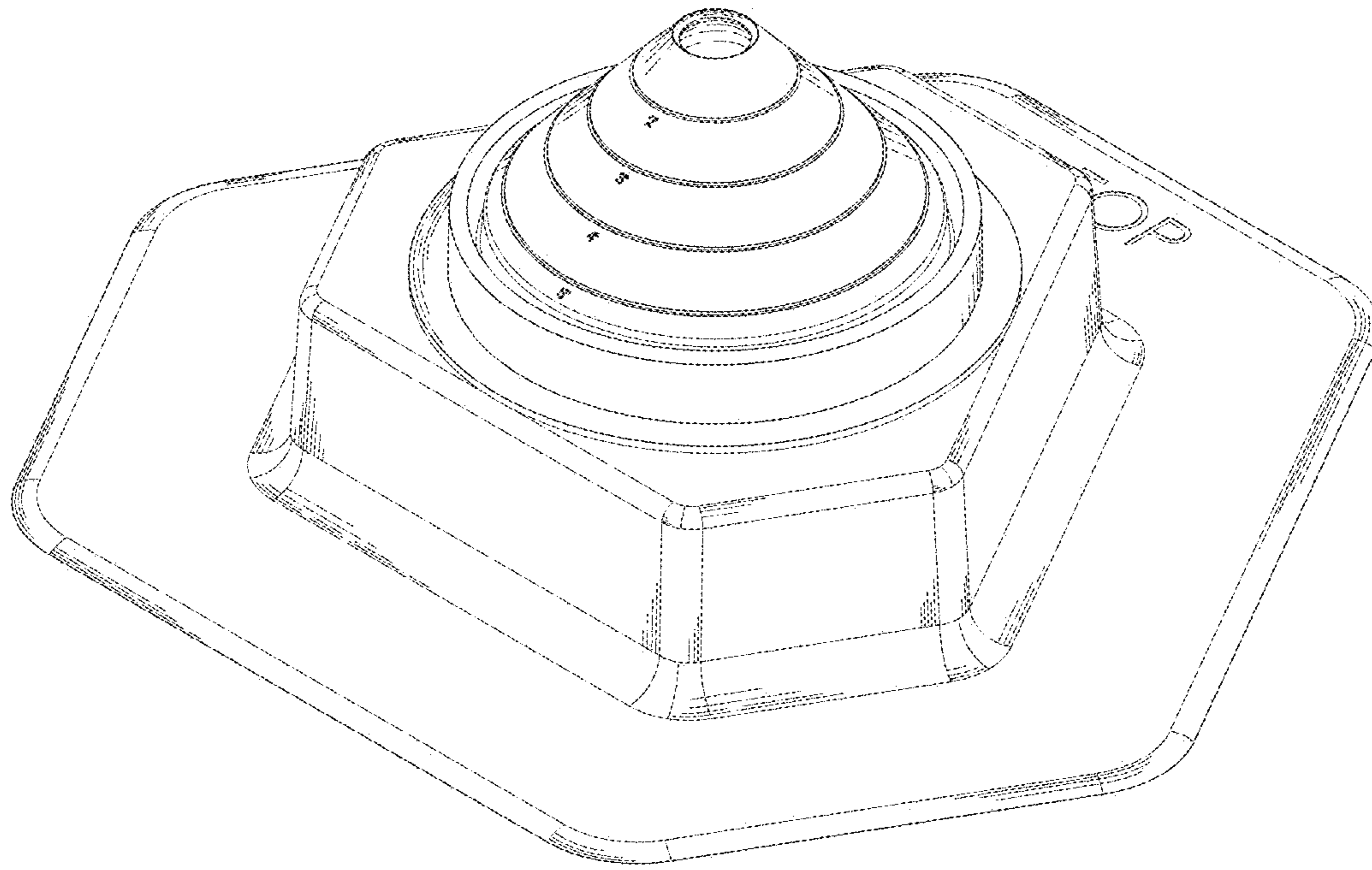


FIG. 1

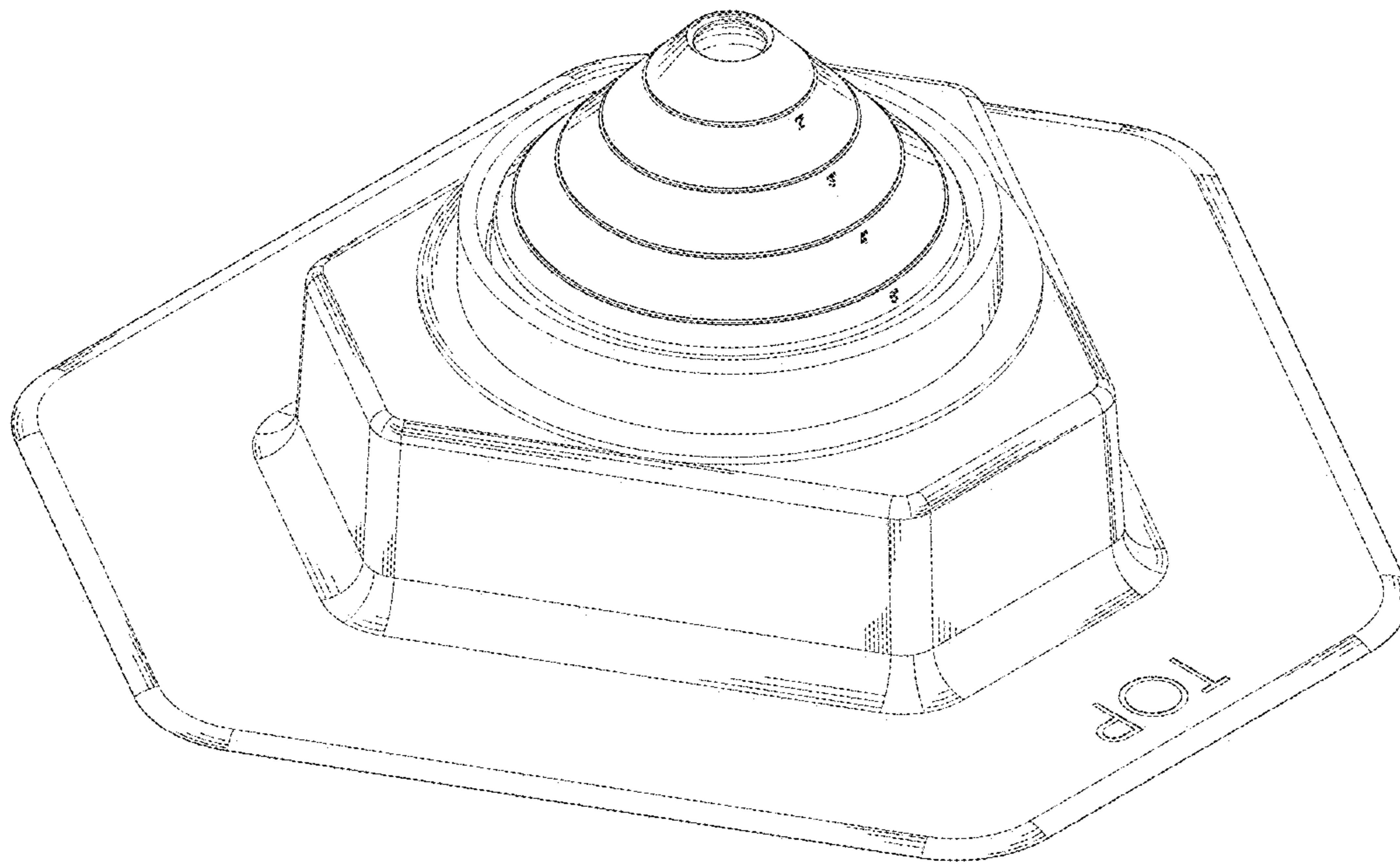


FIG. 2

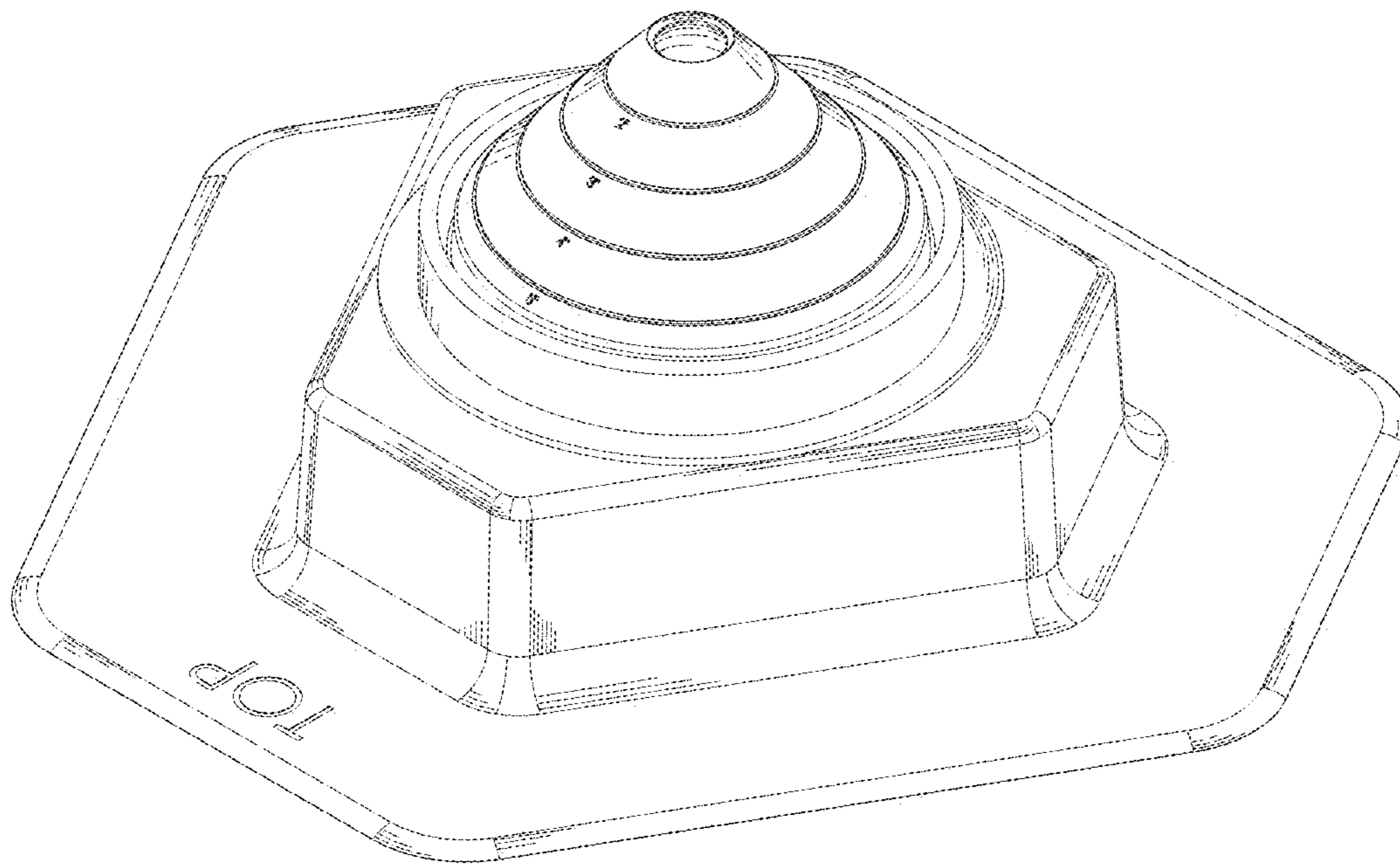


FIG. 3

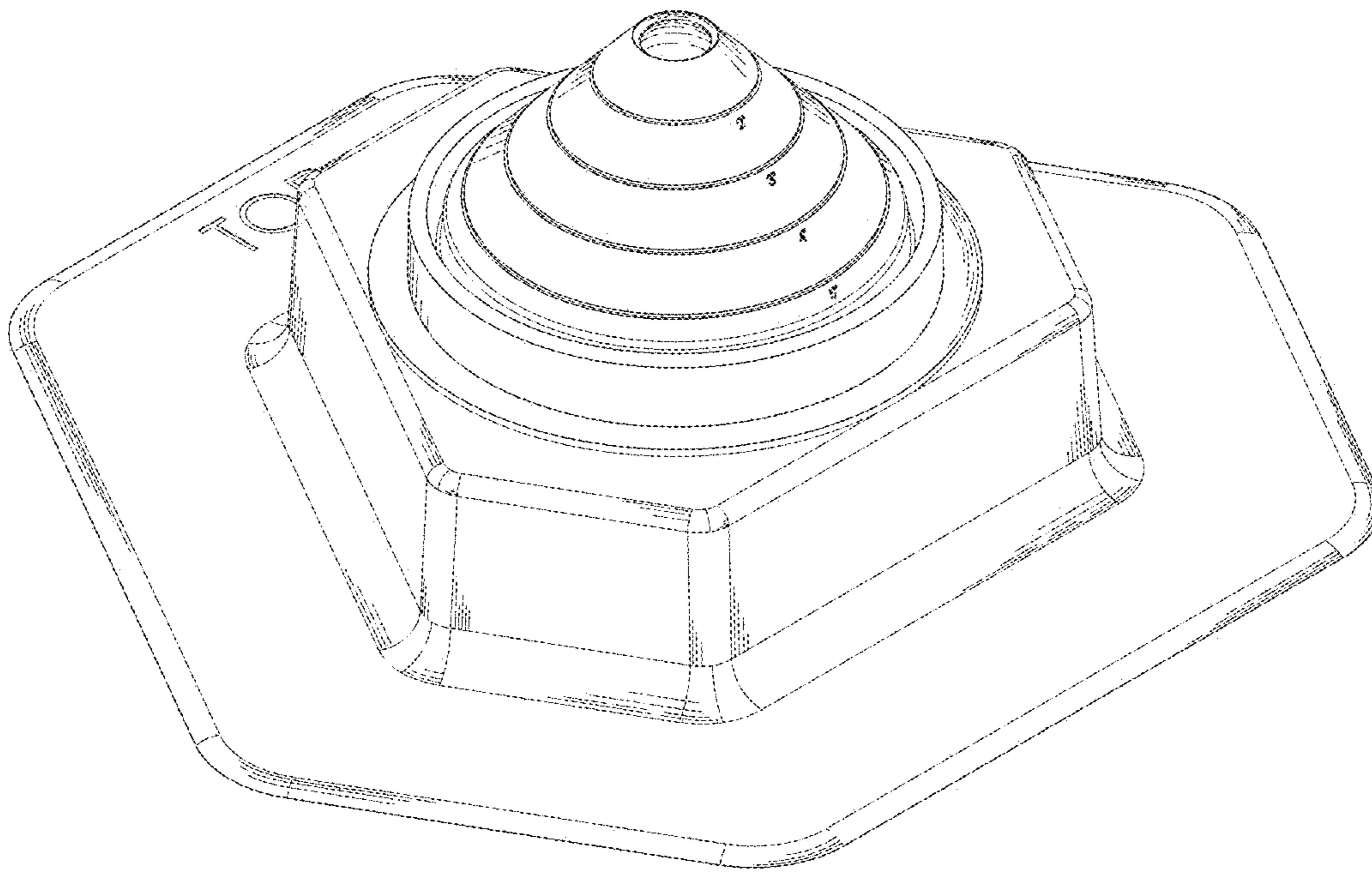


FIG. 4

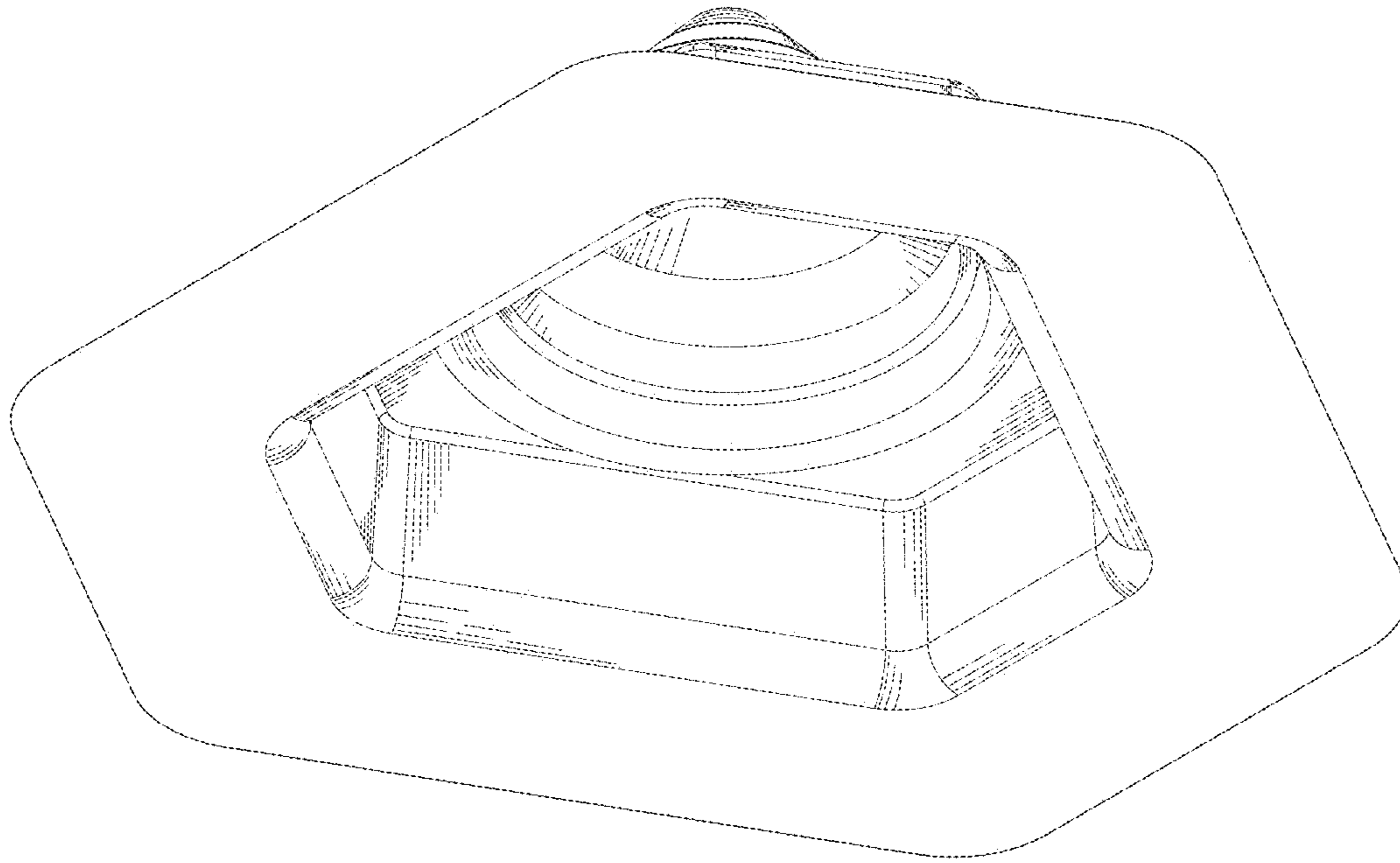


FIG. 5

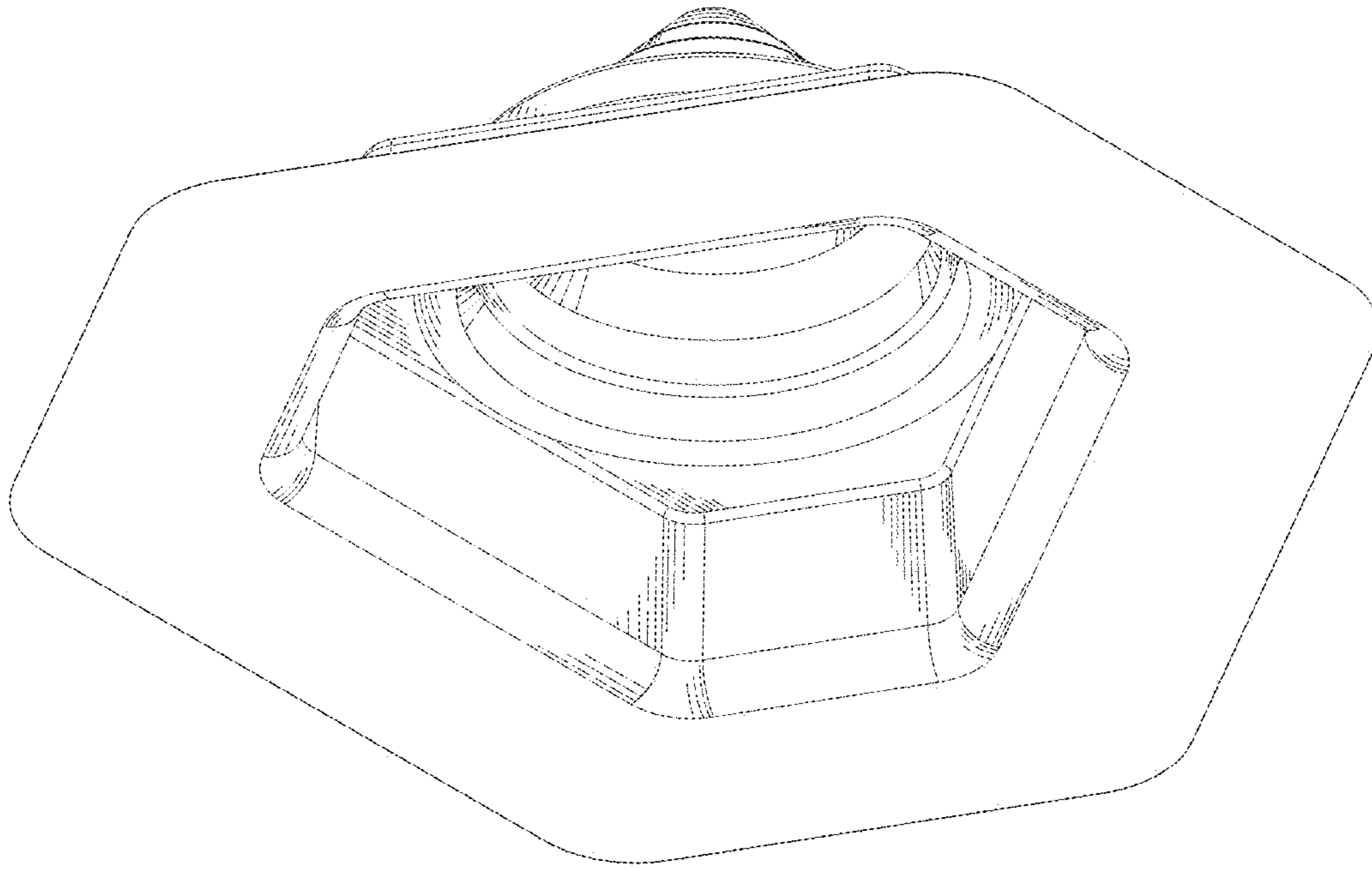


FIG. 6

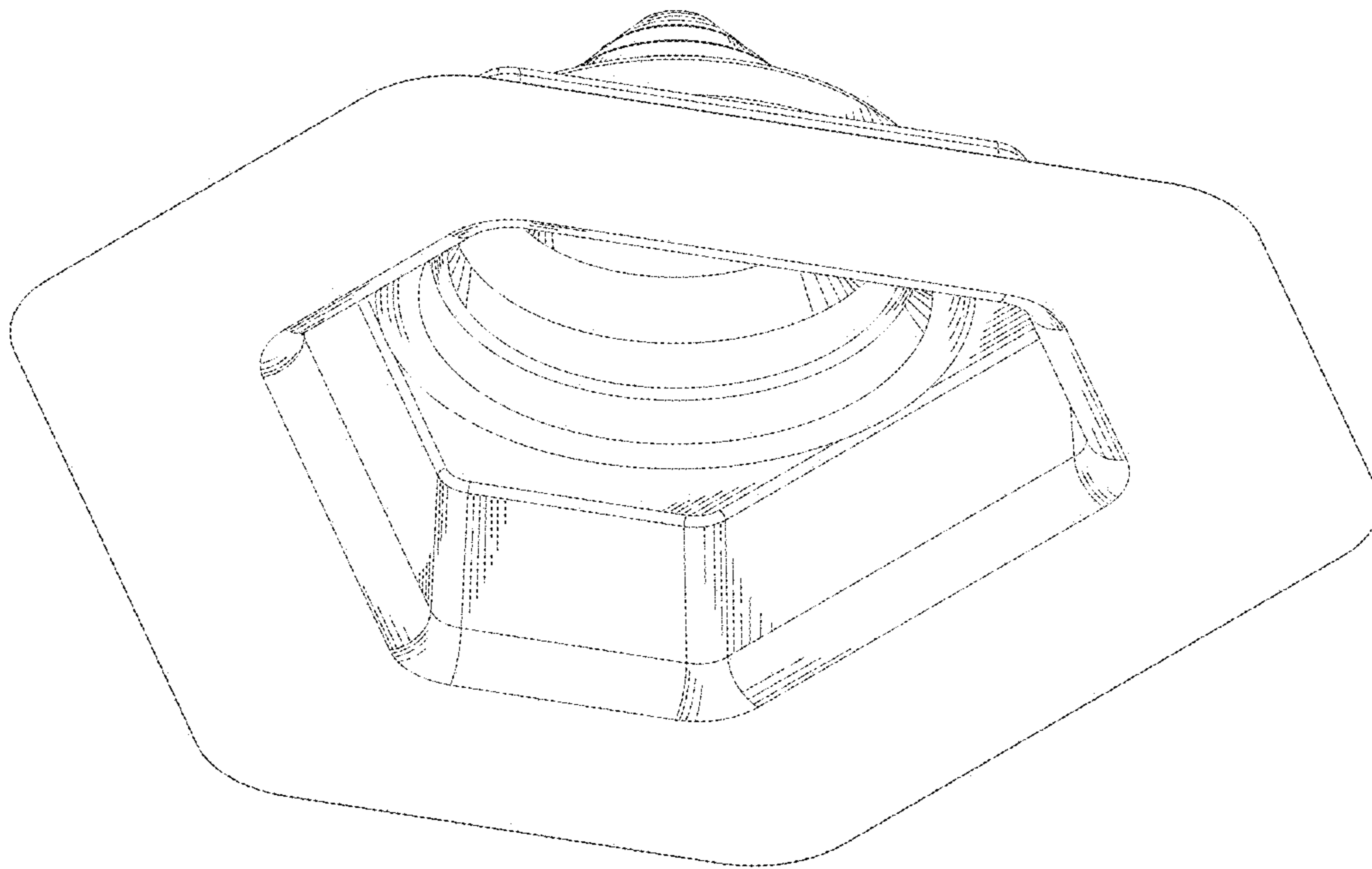


FIG. 7



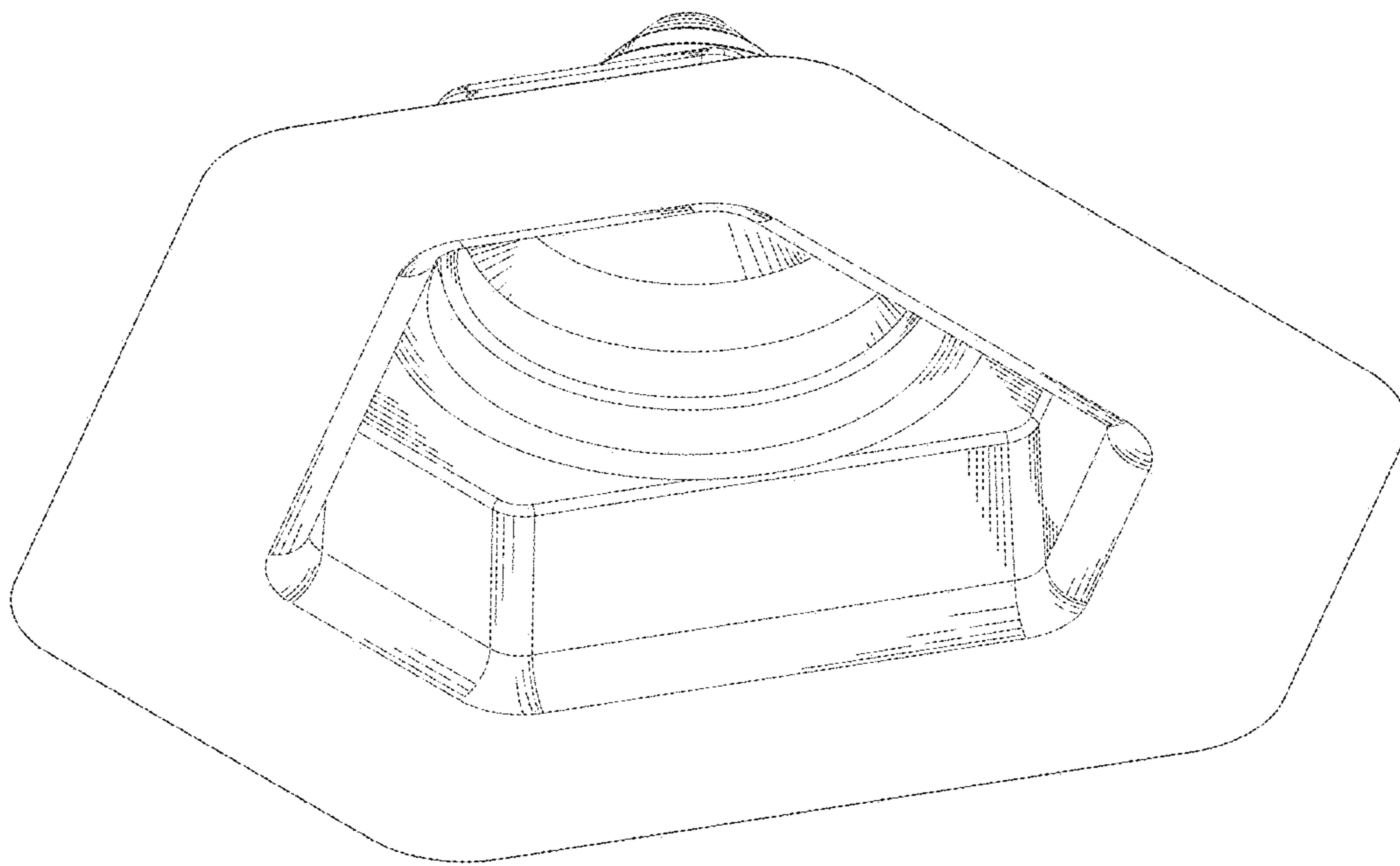


FIG. 8