



US00D936248S

(12) **United States Design Patent** (10) **Patent No.:** **US D936,248 S**
Wiecek et al. (45) **Date of Patent:** **** Nov. 16, 2021**

(54) **HALF-ROUND RIDGE END CAP**
 (71) Applicant: **BUDMAT Bogdan Wiecek**, Plock (PL)
 (72) Inventors: **Bogdan Wiecek**, Plock (PL); **Marek Wisniewski**, Brody (PL)

D622,441 S * 8/2010 Warner D26/138
 7,780,575 B1 * 8/2010 Goodwin, III A63B 21/169
 482/34
 D636,502 S * 4/2011 Hudson, Jr. D25/140
 D637,317 S * 5/2011 Hudson, Jr. D25/140
 D753,412 S * 4/2016 Anderson D6/580
 (Continued)

(**) Term: **15 Years**

FOREIGN PATENT DOCUMENTS

(21) Appl. No.: **35/509,980**

WO RGN D208355-001 * 8/2020

(22) Filed: **Feb. 2, 2020**

OTHER PUBLICATIONS

(80) **Hague Agreement Data**

Int. Filing Date: **Feb. 2, 2020**
 Int. Reg. No.: **DM/208355**
 Int. Reg. Date: **Feb. 2, 2020**
 Int. Reg. Pub. Date: **Aug. 7, 2020**

Easy-Trim Ridge End Cap (available online) Retrieved from the internet Jul. 9, 2021 from URL: <https://www.ashbrookroofing.co.uk/easy-trim-ridge-end-cap.html>.*

(Continued)

Primary Examiner — Kevin K Rudzinski
Assistant Examiner — Richard Kearney

(51) **LOC (13) Cl.** **25-01**

(52) **U.S. Cl.**
 USPC **D25/138**

(57) **CLAIM**

(58) **Field of Classification Search**
 USPC D8/373; D10/113.3; D25/119, 138, 139,
 D25/140, 141, 134, 136, 155, 156, 163,
 D25/199

The ornamental design for a half-round ridge end cap, as shown and described.

DESCRIPTION

CPC E04D 3/00; E04D 3/02; E04D 3/04; E04D
 3/08; E04D 3/18; E04D 3/24; E04D 3/26;
 E04D 3/28; E04D 3/30; E04D 3/32;
 E04D 3/35; E04D 3/352; E04D 2003/285;
 E04D 2003/0818; E04D 13/174; E04D
 2001/305; E04D 2001/306; E04D 1/3402;
 E04D 2003/0875; E04D 3/40

1. Half-round ridge end cap
- 1.1 : Perspective
- 1.2 : Top
- 1.3 : Right
- 1.4 : Left
- 1.5 : Bottom
- 1.6 : Front
- 1.7 : Back

See application file for complete search history.

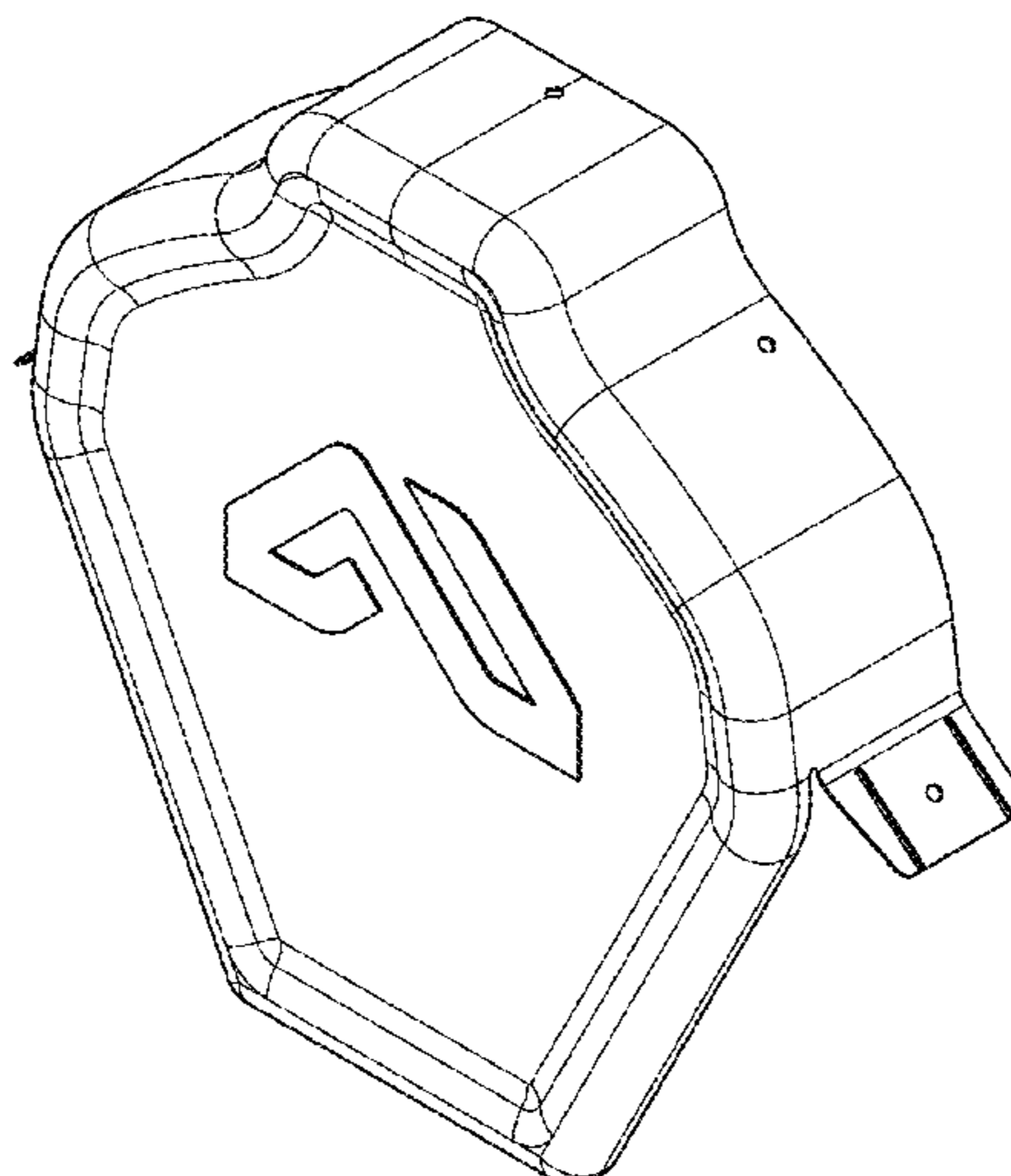
A half-round ridge end cap intended for closing ridge tiles; it is adjusted for mounting with the ridge tile; by the use of the end cap one achieves aesthetic and functional protection of ridgepole end; the end cap is of half-round shape with circumferential annular embossment; it has mounting holes and wings to adjust the end cap to the ridge tile; all elements produce the individual character of the item.

(56) **References Cited**

U.S. PATENT DOCUMENTS

D21,772 S * 8/1892 Babcock D25/140
 D29,904 S * 12/1898 Birn D25/140
 2,051,818 A * 8/1936 Buczkowski E04D 1/20
 52/554
 D535,035 S * 1/2007 Ohanesian D25/135
 D609,372 S * 2/2010 Rosian D25/135

1 Claim, 7 Drawing Sheets



(56)

References Cited

U.S. PATENT DOCUMENTS

D838,803 S * 1/2019 Washburn, III D22/108
2008/0302025 A1 * 12/2008 Schriever E04D 13/0445
52/57
2010/0200330 A1 * 8/2010 Crookston E04G 21/3295
182/3
2014/0357181 A1 * 12/2014 Stouffer E04D 13/174
454/367
2016/0108622 A1 * 4/2016 Harris F24F 7/02
454/365
2018/0251972 A1 * 9/2018 Heo E04D 13/004

OTHER PUBLICATIONS

Roofing Superstore Ridge end cap (available online) Retrieved from the internet Jul. 9, 2021 from URL: <https://www.roofingsuperstore.co.uk/search?keywords=ridge+end>.*

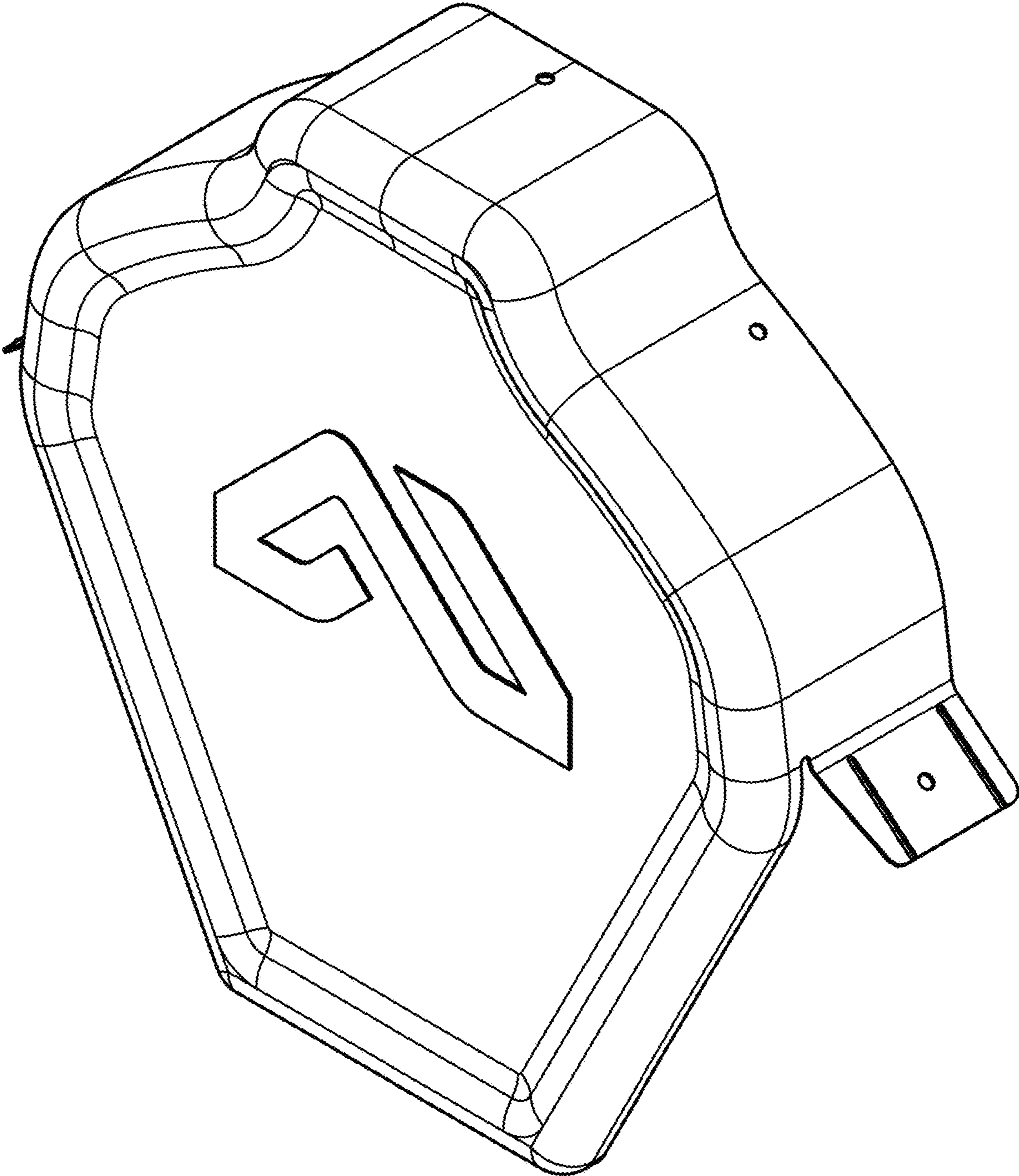
Univeral circular straight end cap (available online) Retrieved from the internet Jul. 9, 2021 from URL: <https://tejasborja.com/en/accessories/>.*

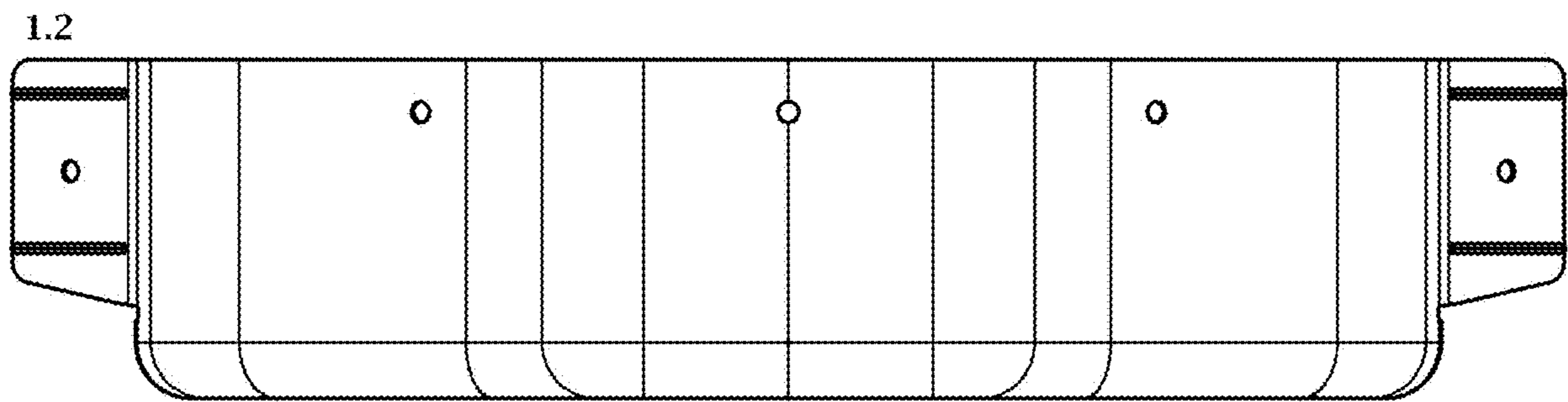
Stop end ZP-LUX (available online) Retrieved from the internet Jul. 9, 2021 from URL: <https://www.budmat.com/en/product/stop-end-zp-lux-finishing-element-of-top-gs-lux-ridge-cap-1145>.*

TinEye_search_results_Allergo.pl_Jan_52020.pdf (available online Jan. 5, 2020) Retrieved from the internet Jul. 9, 2021 from URL: <https://tineye.com/search/126551572883178e88817d50a12323dd34d2797d?sort=score&order=desc&page=1>.*

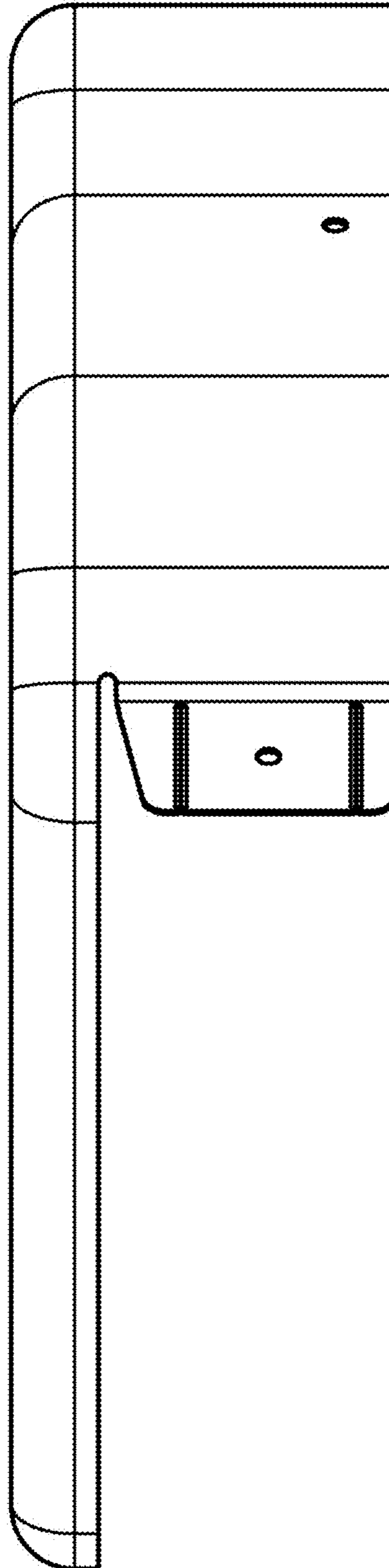
* cited by examiner

1.1

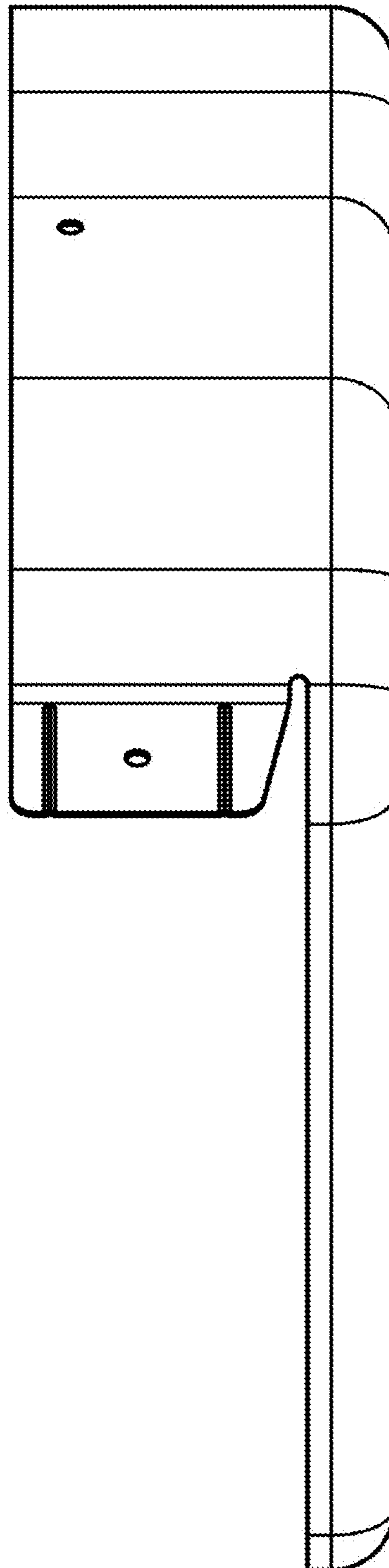




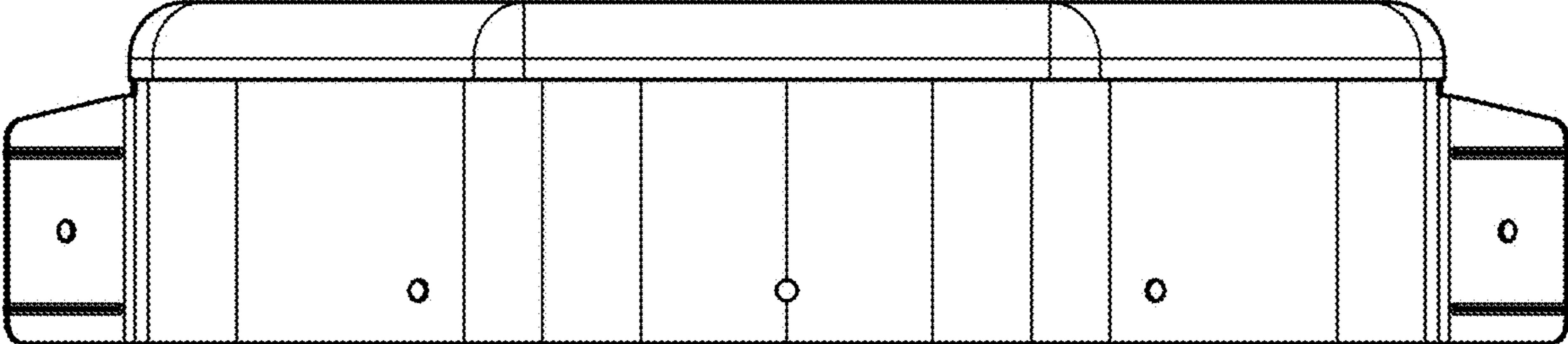
1.3



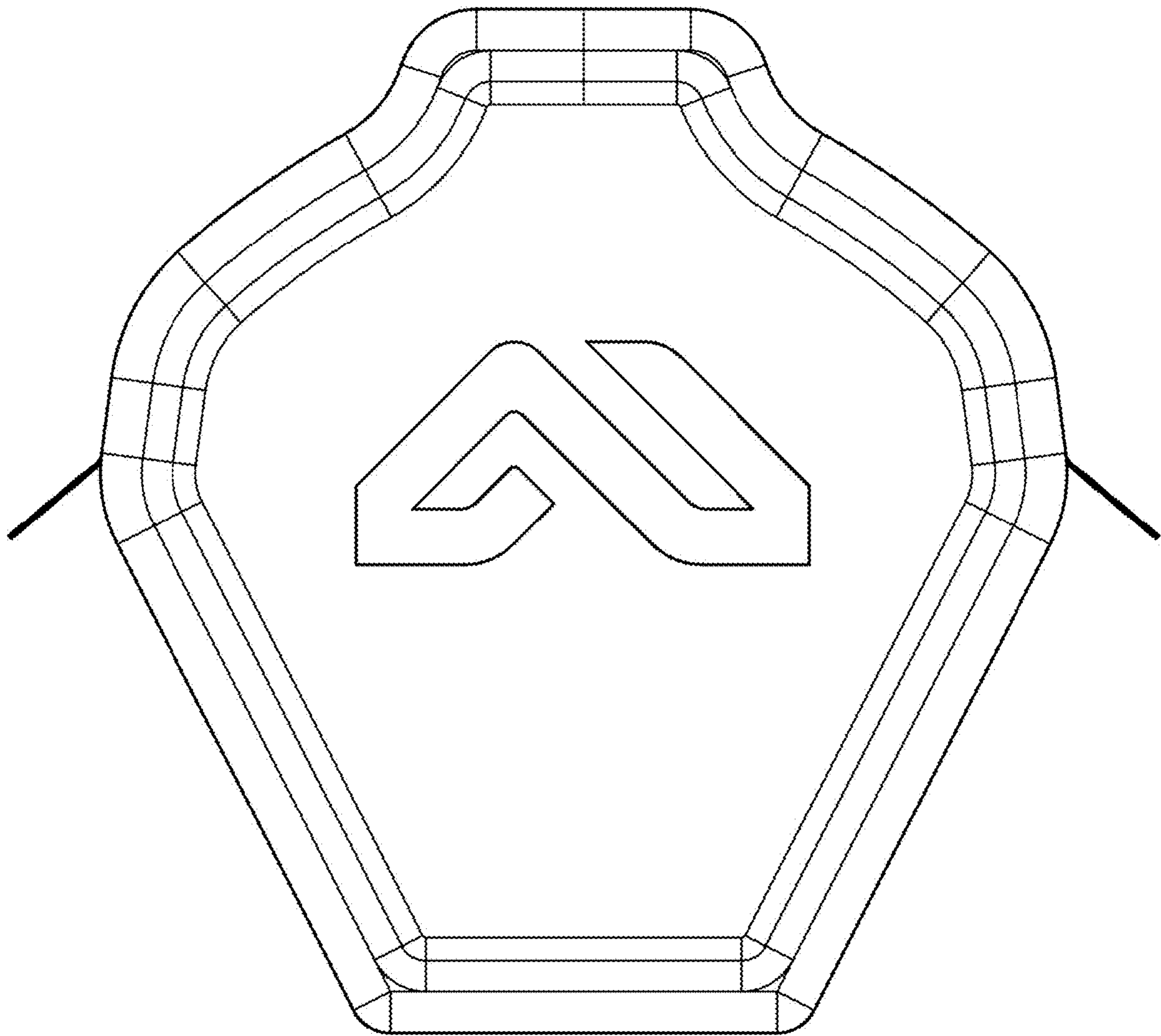
1.4



1.5



1.6



1.7

