



US00D936243S

(12) **United States Design Patent** (10) **Patent No.:** **US D936,243 S**
Collison (45) **Date of Patent:** **** Nov. 16, 2021**

(54) **FOUNDATION PLATE**
(71) Applicant: **Ryan W. Collison**, Norfolk, NE (US)
(72) Inventor: **Ryan W. Collison**, Norfolk, NE (US)
(**) Term: **15 Years**
(21) Appl. No.: **29/713,421**
(22) Filed: **Nov. 15, 2019**
(51) **LOC (13) Cl.** **25-01**
(52) **U.S. Cl.**
USPC **D25/133; D8/354**
(58) **Field of Classification Search**
USPC D8/349, 354, 373; D25/55, 61, 102, 113,
D25/114, 115, 118, 133, 199
CPC E02D 27/00; E02D 27/42; E04H 12/2261;
E04H 12/2284; E04B 1/7076
See application file for complete search history.

D736,420 S * 8/2015 Somerfield D25/199
9,518,368 B2 * 12/2016 Nishioka E02D 5/54
D846,975 S * 4/2019 Arcot D8/382
10,422,150 B2 * 9/2019 Roy E04H 12/2284
10,634,122 B1 * 4/2020 Clifton E04H 12/345
D898,233 S * 10/2020 Repasky D25/199
D898,234 S * 10/2020 Repasky D25/199
2014/0174003 A1 * 6/2014 Despotellis E04H 12/223
52/169.13

FOREIGN PATENT DOCUMENTS

CN 306293641 * 1/2021
JP D1507564 * 9/2014
JP D1663295 * 7/2020
KR 301081897.0000 * 11/2020

* cited by examiner

Primary Examiner — Leanne Was-Englehart
(74) *Attorney, Agent, or Firm* — Dennis L. Thomte;
Thomte Patent Law Office LLC

(56) **References Cited**

U.S. PATENT DOCUMENTS

D219,768 S * 1/1971 Conwill D8/354
3,591,113 A * 7/1971 Foster, Jr. H01Q 1/1242
248/519
D388,193 S * 12/1997 Villaescusa D25/133
5,966,881 A * 10/1999 Kitagaki E04B 1/7076
248/346.01
D513,536 S * 1/2006 Walker D25/133
D554,770 S * 11/2007 Pena D25/61
D555,257 S * 11/2007 Pena D25/61
D556,916 S * 12/2007 Pena D25/61
D602,175 S * 10/2009 Droomer D25/133
D621,965 S * 8/2010 Ringus D25/133
D628,047 S * 11/2010 Craig D8/354
D666,473 S * 9/2012 Despotellis D8/354
D666,474 S * 9/2012 Despotellis D8/354
D666,481 S * 9/2012 Wong D8/382
D666,895 S * 9/2012 Despotellis D8/354
D701,329 S * 3/2014 Tiner D25/199
D724,760 S * 3/2015 Saunders D25/113

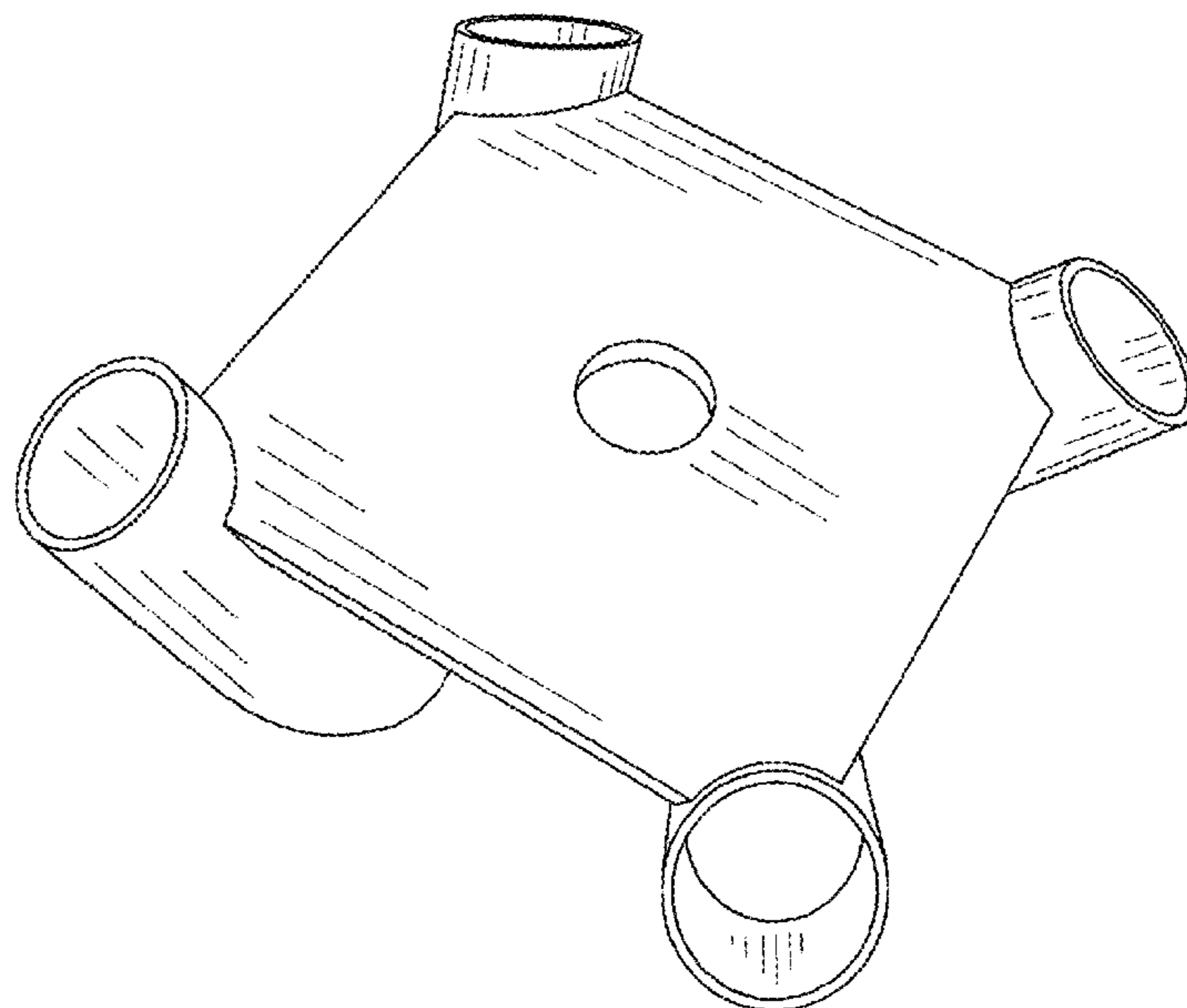
(57) **CLAIM**

The ornamental design for a foundation plate, as shown and described.

DESCRIPTION

FIG. 1 is a perspective view of the foundation plate of this invention;
FIG. 2 is a top view of the foundation plate of this invention;
FIG. 3 is a first side view of the foundation plate of this invention;
FIG. 4 is a second side view of the foundation plate of this invention;
FIG. 5 is a third side view of the foundation plate of this invention;
FIG. 6 is a fourth side view of the foundation plate; and,
FIG. 7 is a bottom view of the foundation plate of this invention.

1 Claim, 7 Drawing Sheets



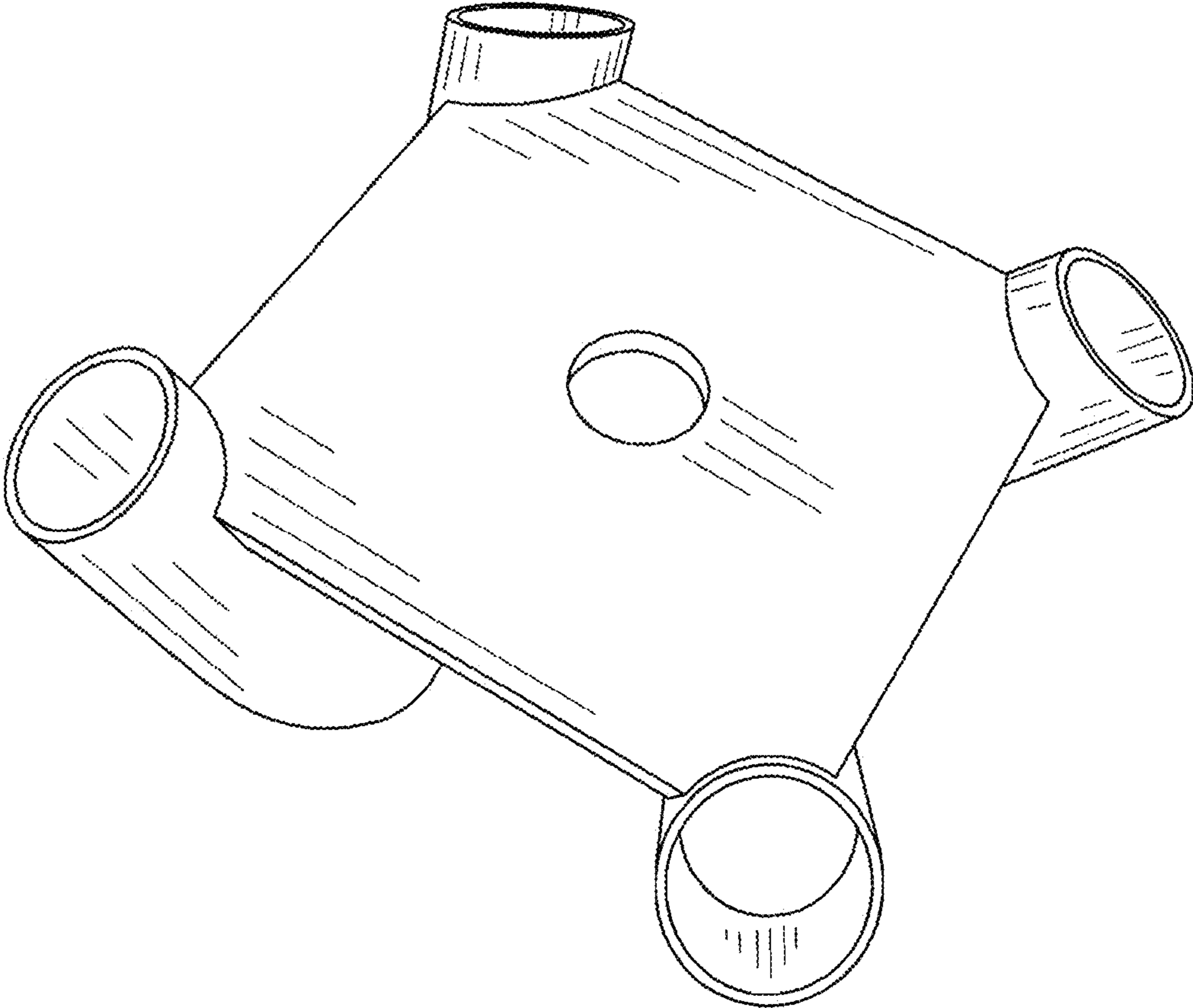


FIG. 1

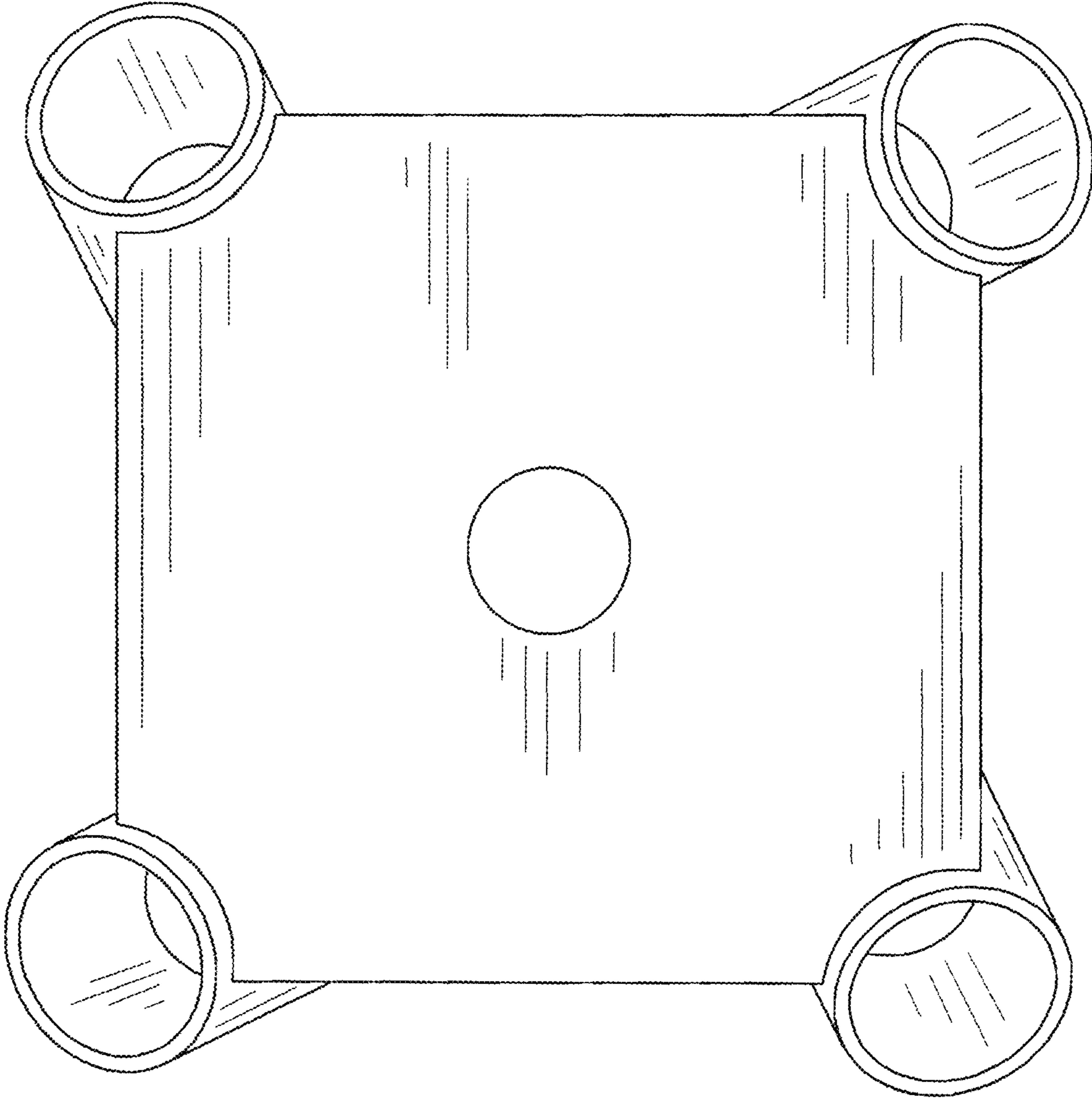


FIG. 2

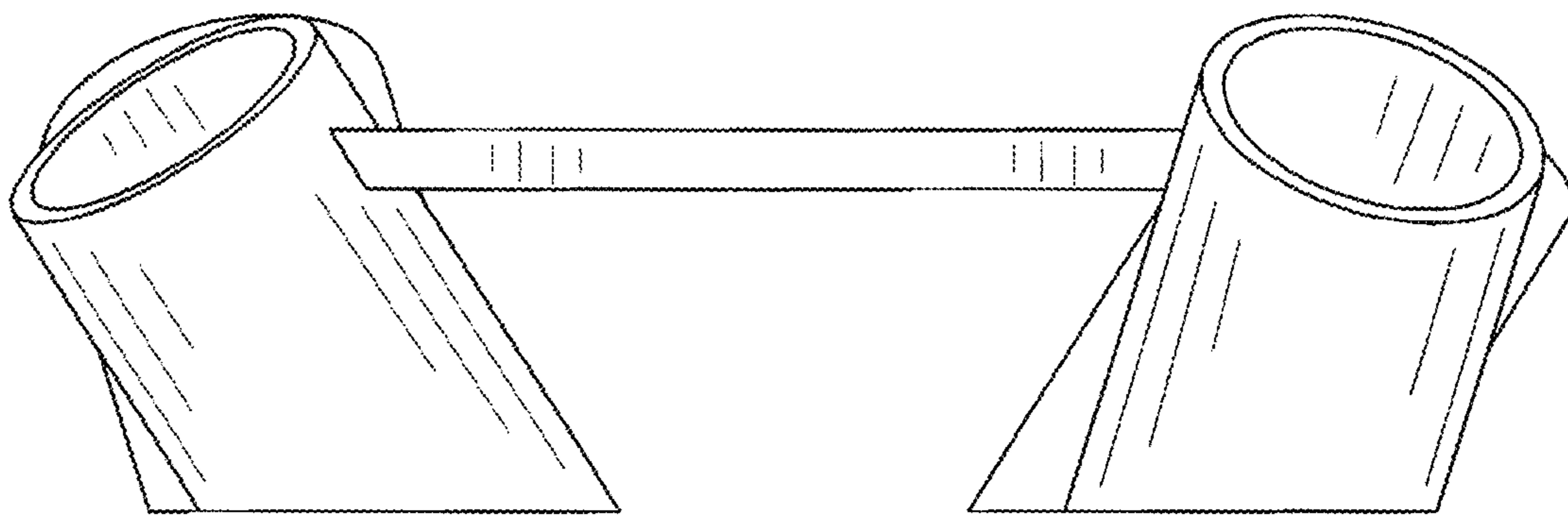


FIG. 3

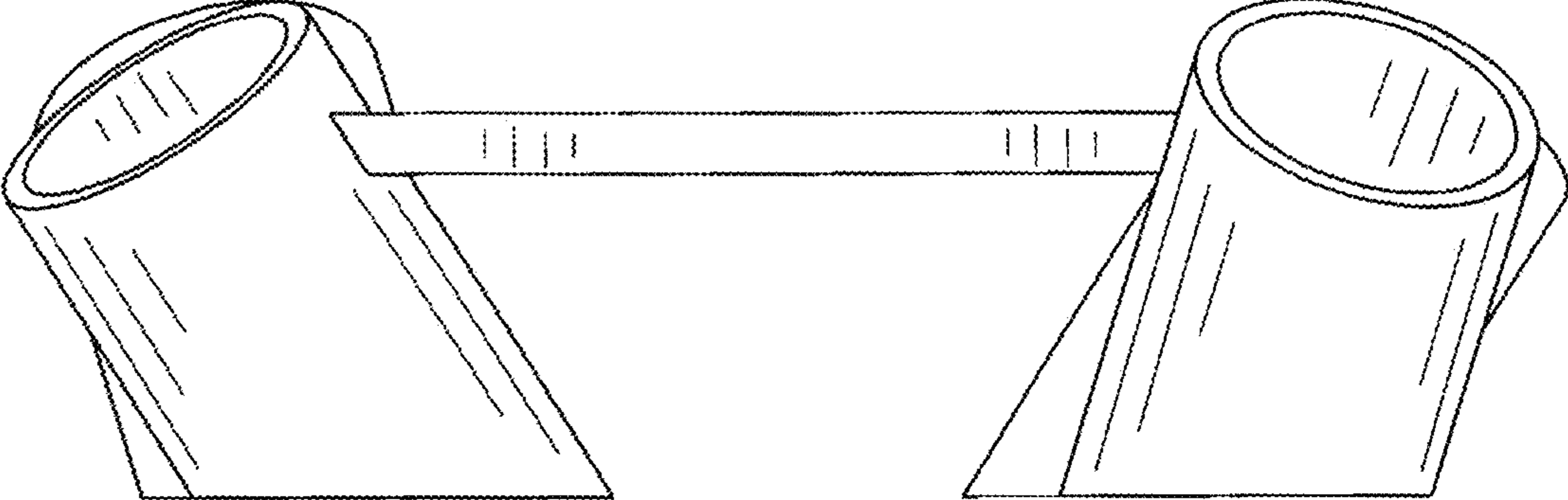


FIG. 4

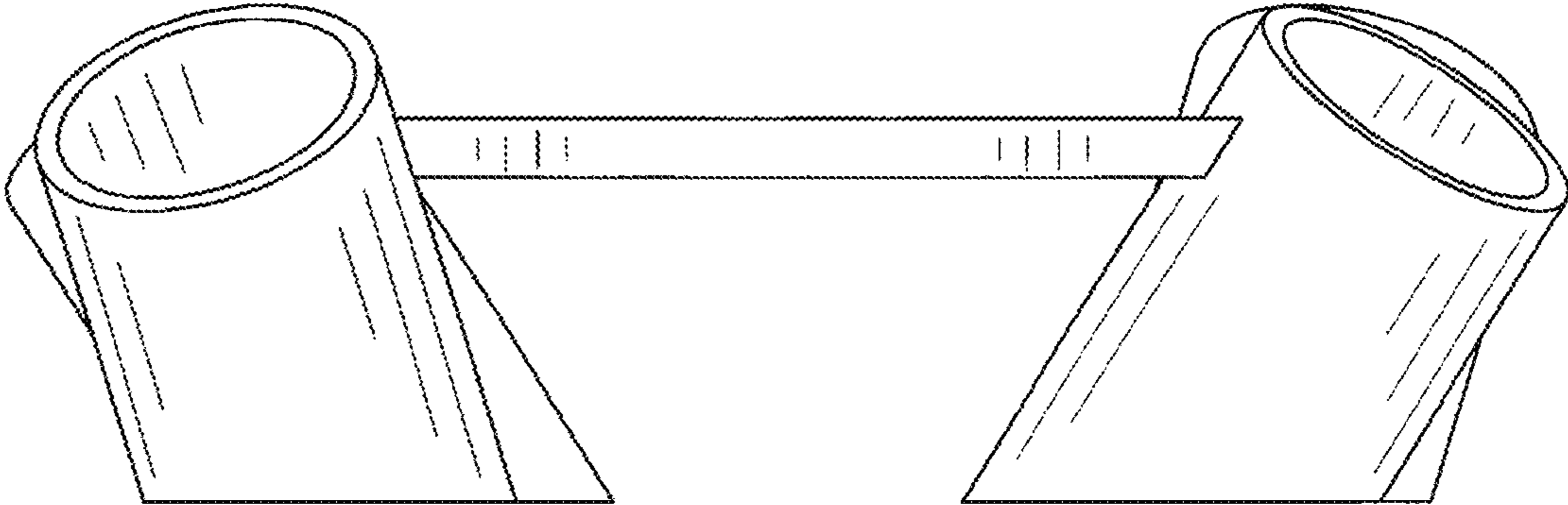


FIG. 5

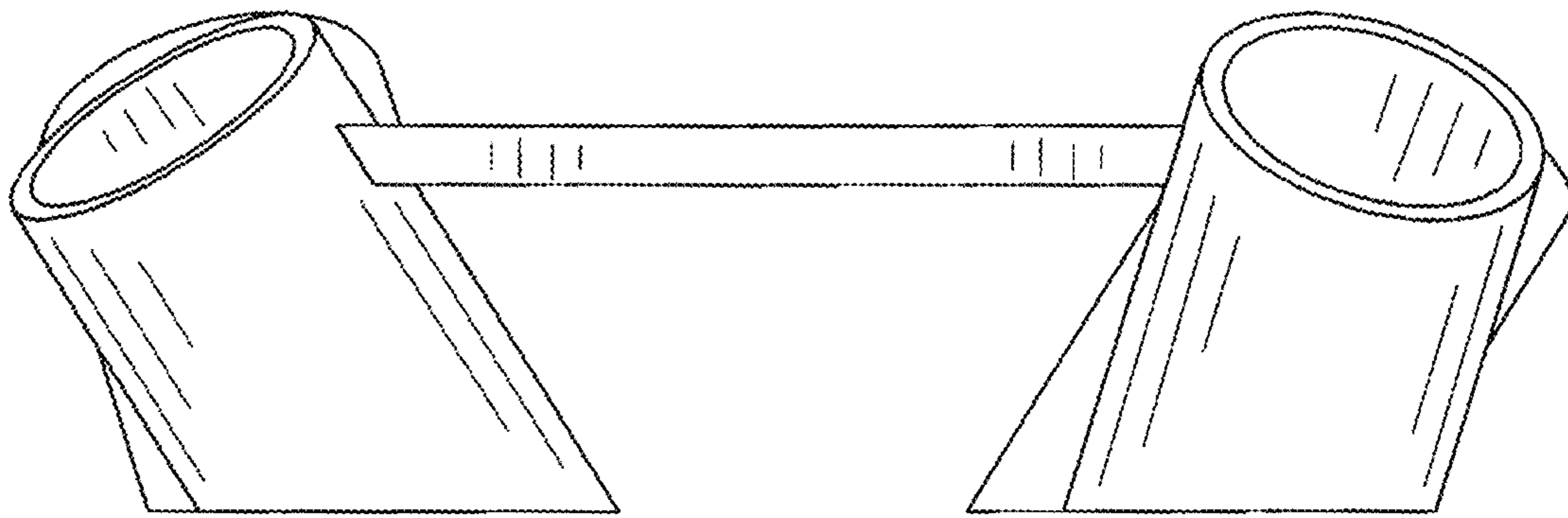


FIG. 6

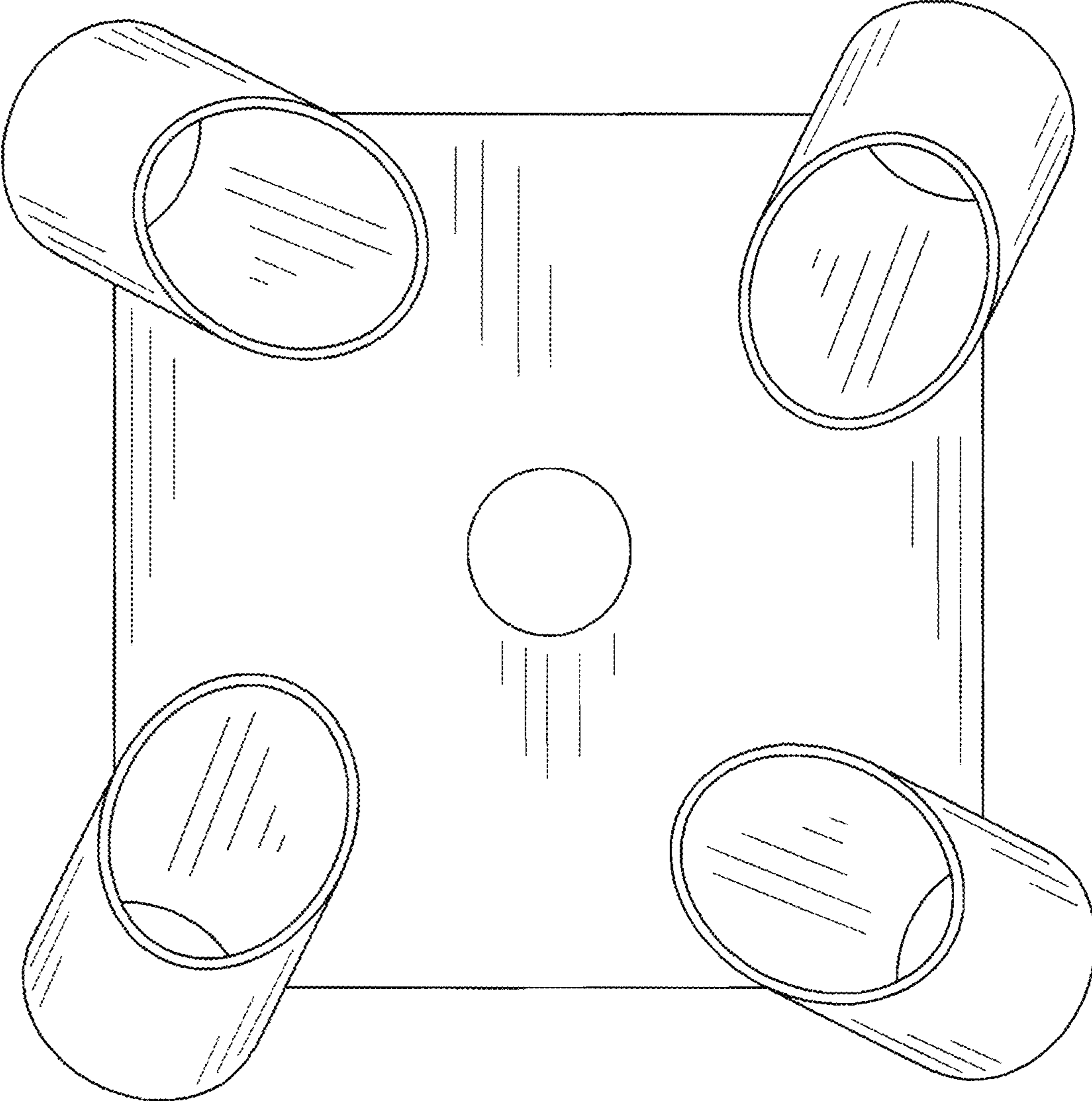


FIG. 7