



US00D936238S

(12) **United States Design Patent**  
**Shapiro et al.**

(10) **Patent No.:** **US D936,238 S**

(45) **Date of Patent:** **\*\* Nov. 16, 2021**

(54) **SHAKER**

(71) Applicant: **Thermo Fisher Scientific (Asheville) LLC**, Asheville, NC (US)

(72) Inventors: **Victor Shapiro**, Somerville, MA (US);  
**John M. Staton**, Waltham, MA (US);  
**Sebastian Henne**, Goettingen (DE)

(73) Assignee: **Thermo Fisher Scientific (Asheville) LLC**, Asheville, NC (US)

(\*\*) Term: **15 Years**

(21) Appl. No.: **29/679,825**

(22) Filed: **Feb. 11, 2019**

(51) **LOC (13) Cl.** ..... **24-02**

(52) **U.S. Cl.**  
USPC ..... **D24/220; D15/147**

(58) **Field of Classification Search**  
USPC ..... D15/147; D24/163, 216, 219, 220, 231,  
D24/232, 217; D10/81, 87, 88, 91, 92  
CPC ... B01F 11/00; B01F 11/0008; B01F 11/0014;  
B01F 15/00285; B01F 15/00123; B01F  
15/00363; B01F 13/04; B01F 15/00175;  
B01L 7/00

See application file for complete search history.

(56) **References Cited**

**U.S. PATENT DOCUMENTS**

D244,711 S \* 6/1977 Armbruster ..... D24/204  
D288,600 S \* 3/1987 Vander Hout ..... D24/217  
4,872,119 A \* 10/1989 Kajimoto ..... G01G 19/4148  
705/402

(Continued)

**OTHER PUBLICATIONS**

Thermo Fisher Scientific, "A New Standard for Reliability and Technical Innovation", (printed Jul. 2019), Thermofisher.com,

URL:<<https://www.thermofisher.com/order/catalog/product/SK4000?SID=srch-srp-SK4000#/SK4000?SID=srch-srp-SK4000>>(Year: 2019).\*

(Continued)

*Primary Examiner* — Calvin E Vansant

*Assistant Examiner* — Mark T. Philipps

(74) *Attorney, Agent, or Firm* — Wood Herron & Evans LLP

(57) **CLAIM**

The ornamental design for a shaker, as shown and described.

**DESCRIPTION**

FIG. 1 is an isometric view of a shaker according to one embodiment of the present invention

FIG. 2 is a front elevation view thereof;

FIG. 3 is a right side elevation view thereof;

FIG. 4 is a left side elevation view thereof;

FIG. 5 is a cross sectional view taken along line 5-5 of FIG. 2;

FIG. 6 is a cross sectional view taken along line 6-6 of FIG. 2;

FIG. 7 is a top plan view thereof; and

FIG. 8 is a bottom plan view thereof.

FIG. 9 is an isometric view of a shaker according to a second embodiment of the present invention;

FIG. 10 is a front elevation view thereof;

FIG. 11 is a right side elevation view thereof;

FIG. 12 is a left side elevation view thereof;

FIG. 13 is a cross sectional view taken along line 13-13 of FIG. 10;

FIG. 14 is a cross sectional view taken along line 14-14 of FIG. 10;

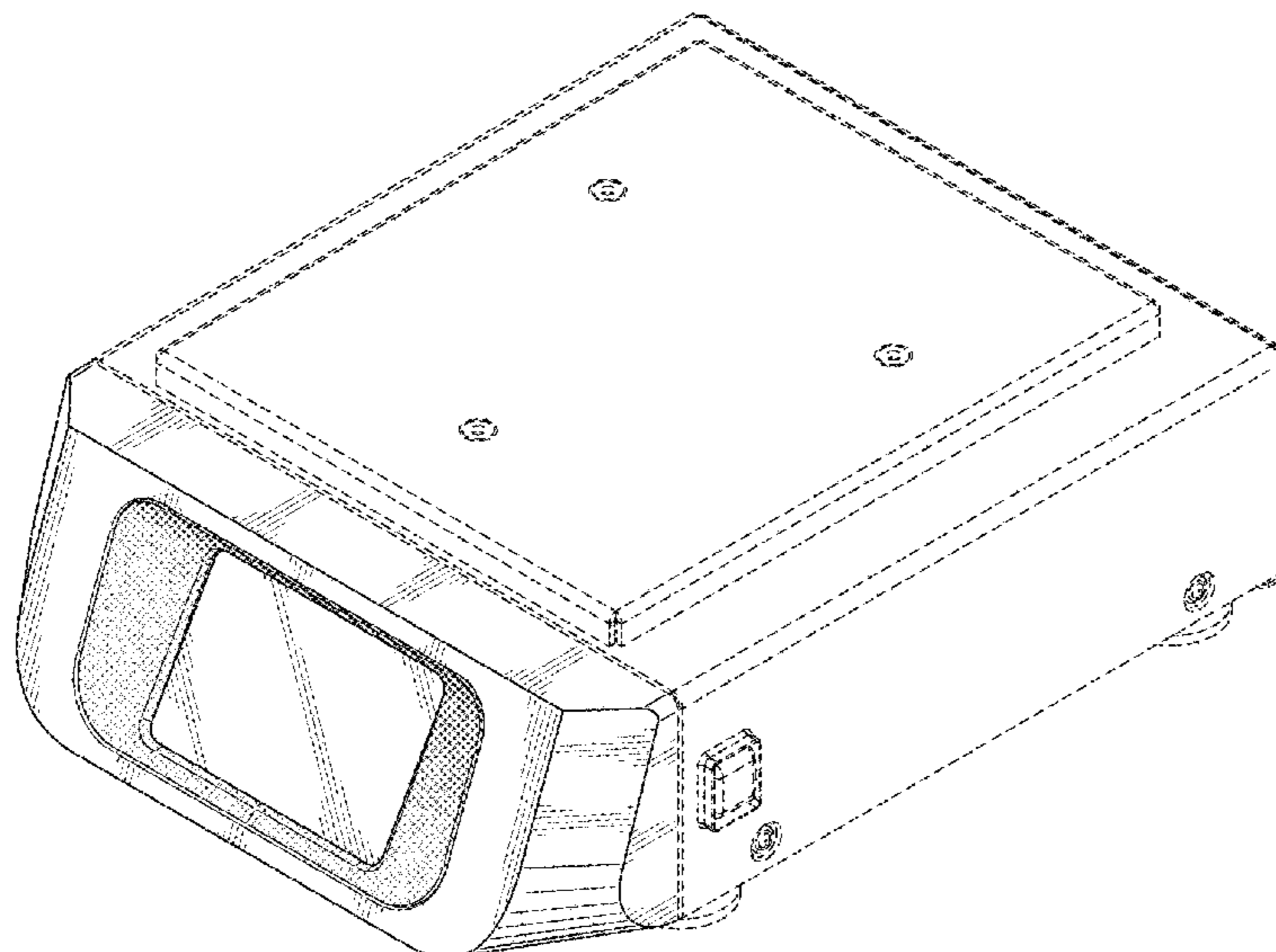
FIG. 15 is a top plan view thereof; and,

FIG. 16 is a bottom plan view thereof.

The broken lines in the drawings depict portions of the shaker that form no part of the claim.

The gradated stippling around the display screen in the drawings is for shading purposes to show contours and is not intended to represent texture.

**1 Claim, 16 Drawing Sheets**



(56)

**References Cited**

## U.S. PATENT DOCUMENTS

5,052,812 A \* 10/1991 Tannenbaum ..... B01F 11/0014  
366/209  
D375,351 S \* 11/1996 Conforti ..... D23/372  
5,593,228 A \* 1/1997 Tannenbaum ..... B01F 11/0031  
366/208  
6,299,344 B1 \* 10/2001 Tannenbaum ..... B01F 11/0022  
366/208  
D629,822 S \* 12/2010 Torre ..... D15/145  
D705,683 S \* 5/2014 Lauer ..... D10/91  
D707,843 S \* 6/2014 Meziere ..... D24/216  
D818,146 S \* 5/2018 Tanaka ..... D24/216  
D852,976 S \* 7/2019 Newberg ..... D24/216  
D892,348 S \* 8/2020 Matsuyama ..... D24/216  
D914,906 S \* 3/2021 Klein ..... D24/216  
2012/0125697 A1 \* 5/2012 Lauer ..... G01G 21/28  
177/1  
2012/0237416 A1 \* 9/2012 Lockwood ..... B01L 9/50  
422/561  
2017/0340760 A1 \* 11/2017 Starkweather ..... A61L 2/10  
2020/0240829 A1 \* 7/2020 Zhang ..... G01G 19/4144  
2021/0094006 A1 \* 4/2021 Manera ..... B01L 7/00

## OTHER PUBLICATIONS

Boeing Instruments, BS-2 Open Air Shaker, (site visited Jul. 12, 2021), Lab Equipment Procurement Power, URL:<<https://lab.equipment/bs-2-open-air-shaker-from-being-instruments>> (Year: 2021).\*

\* cited by examiner

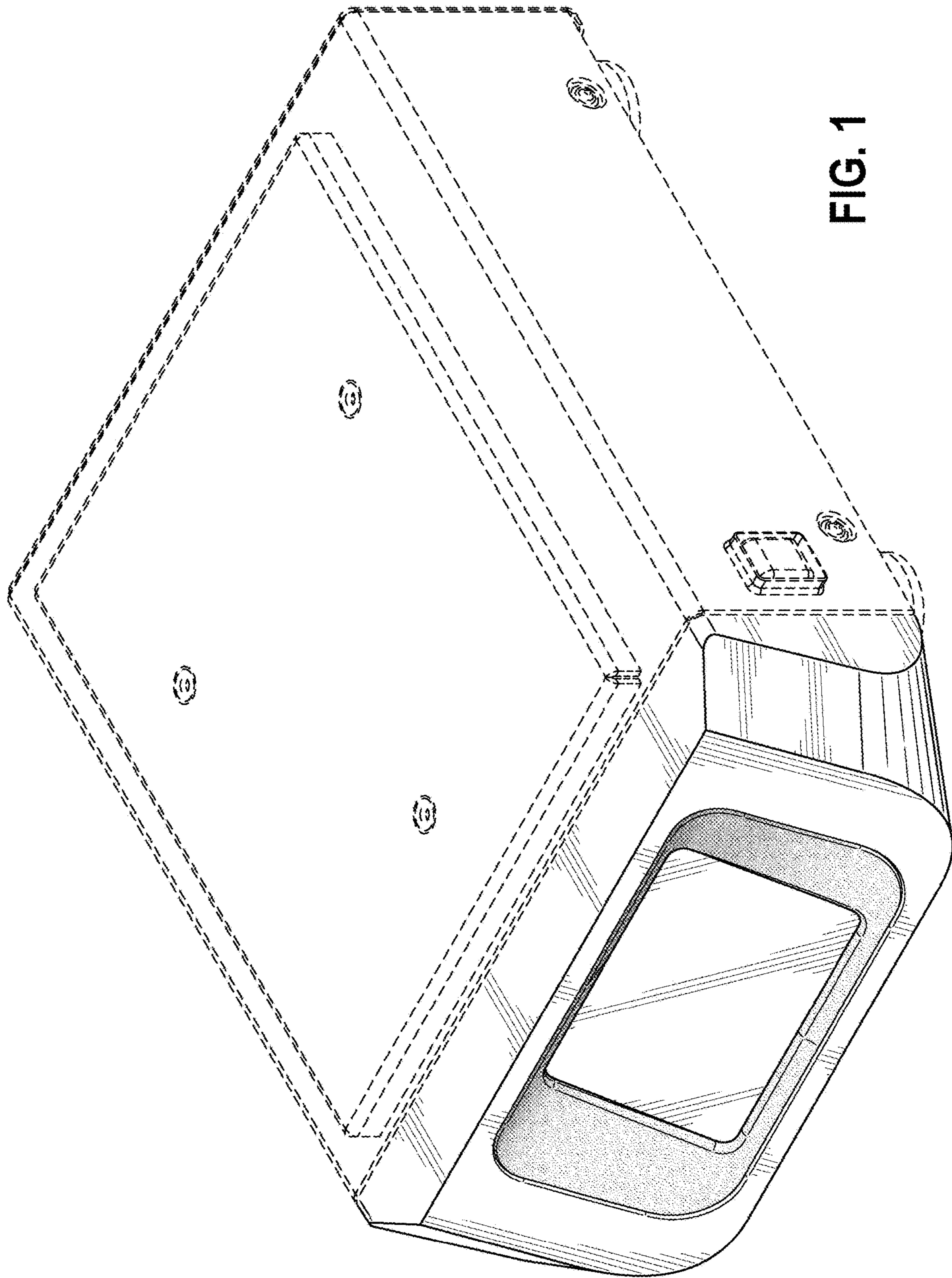


FIG. 1



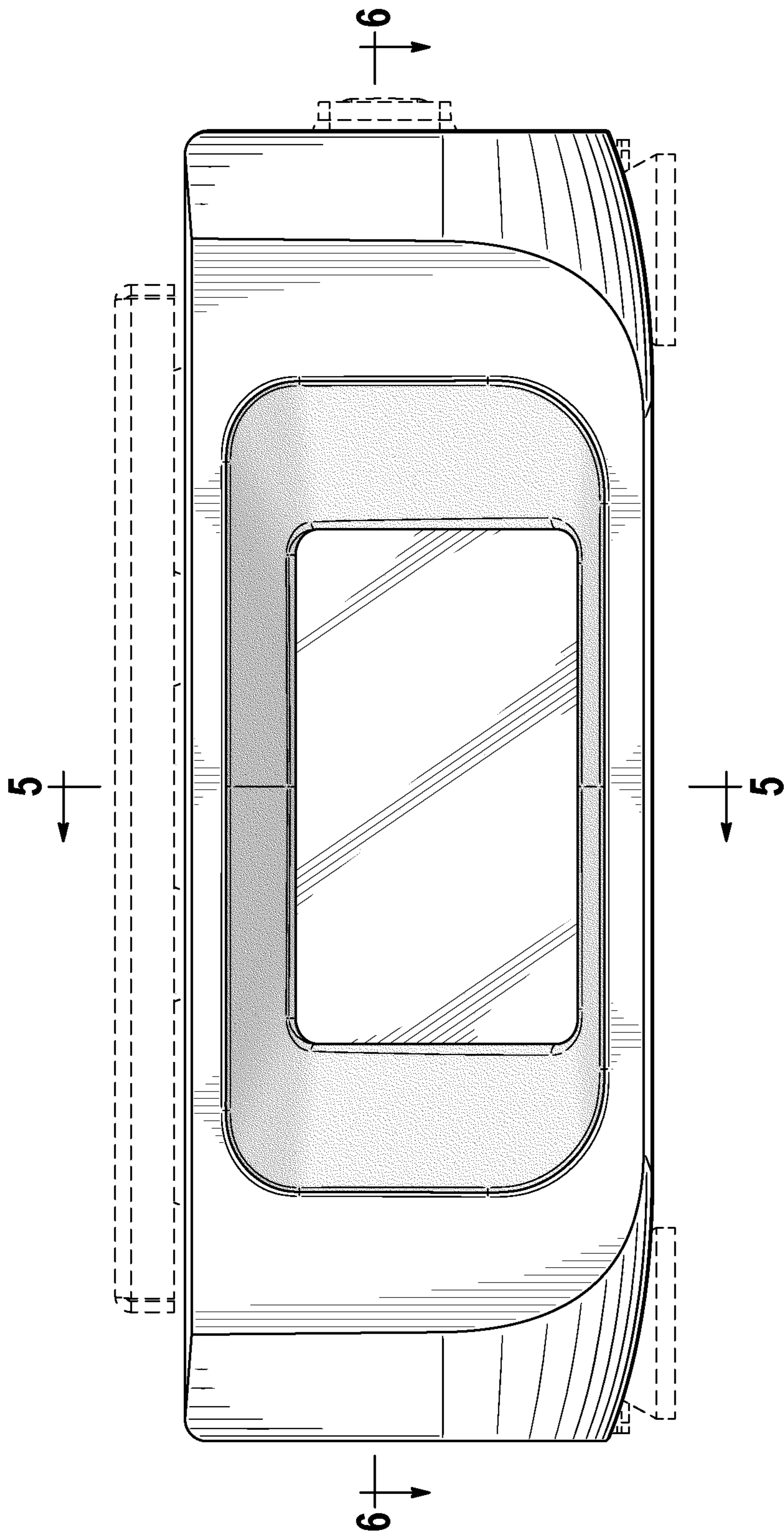


FIG. 2



FIG. 3

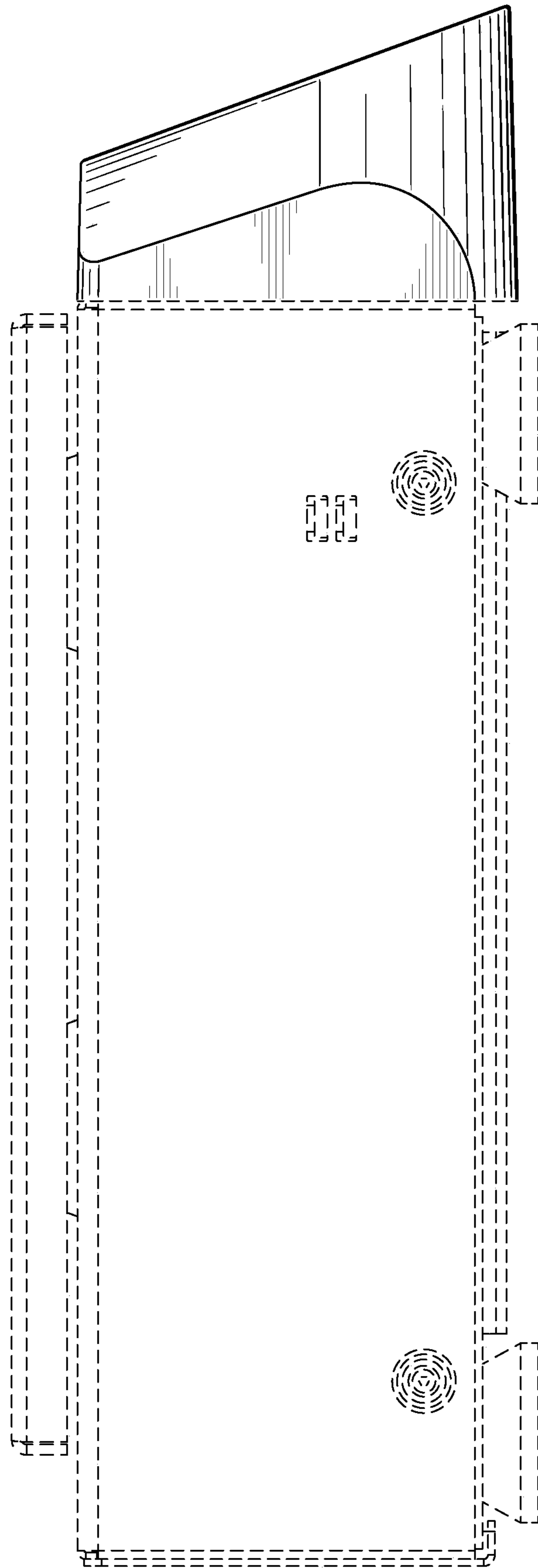


FIG. 4

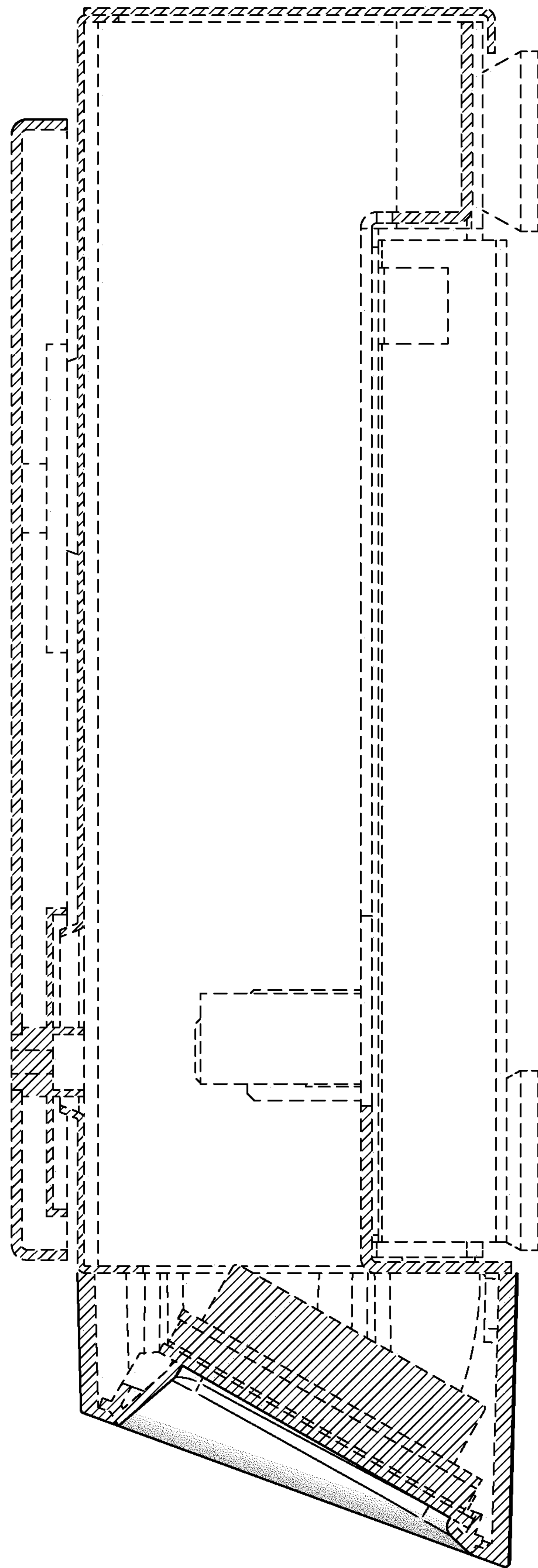


FIG. 5



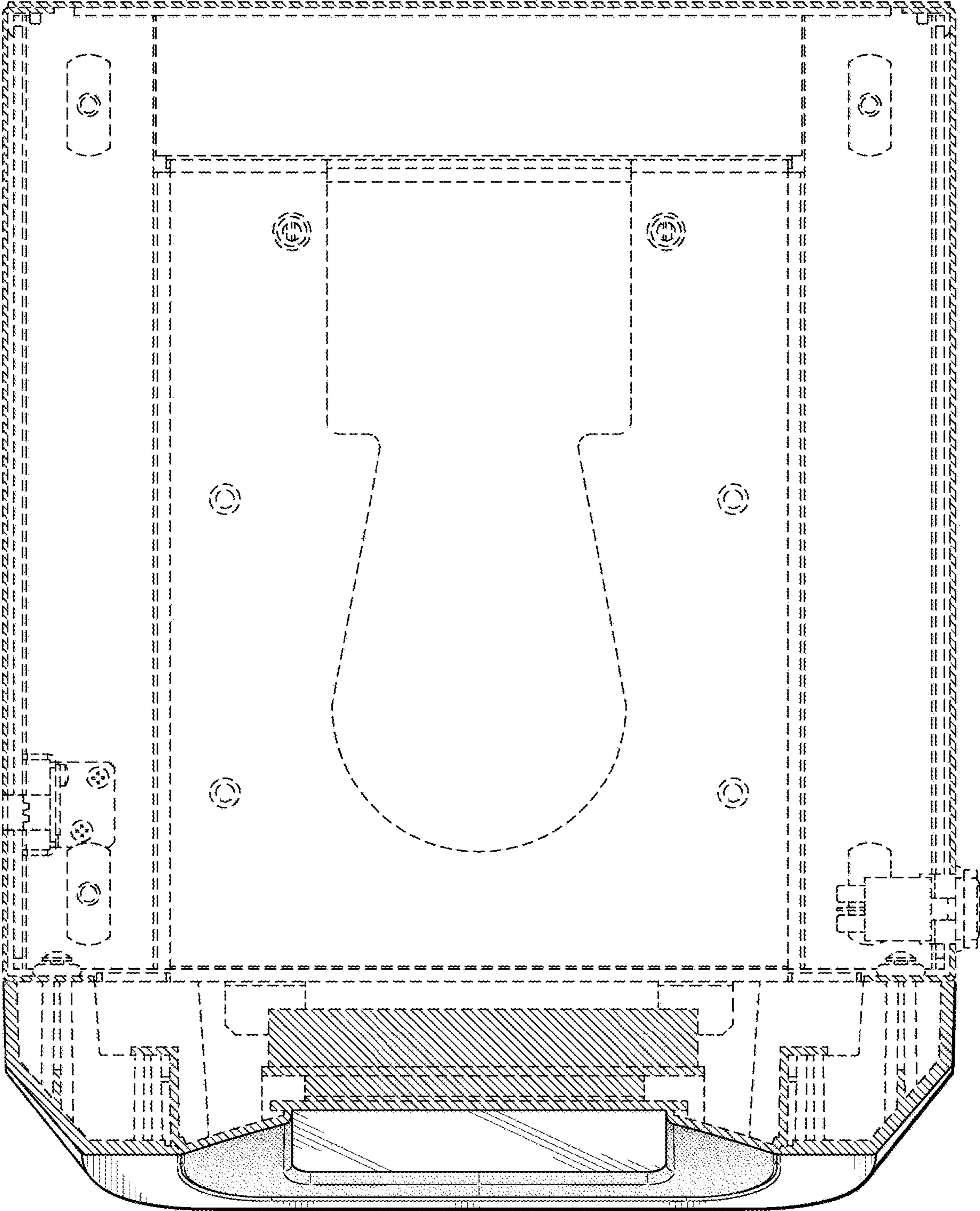


FIG. 6



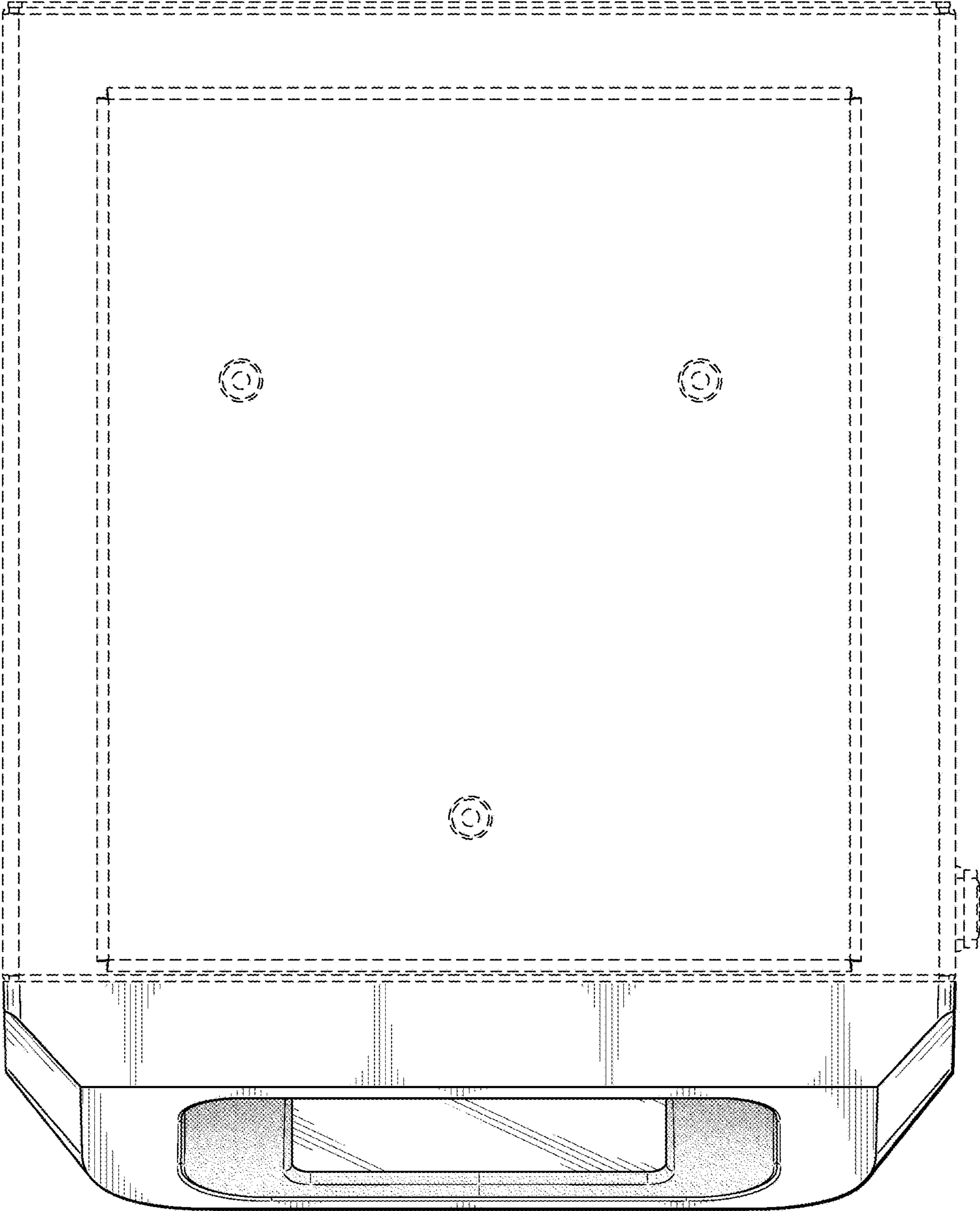


FIG. 7

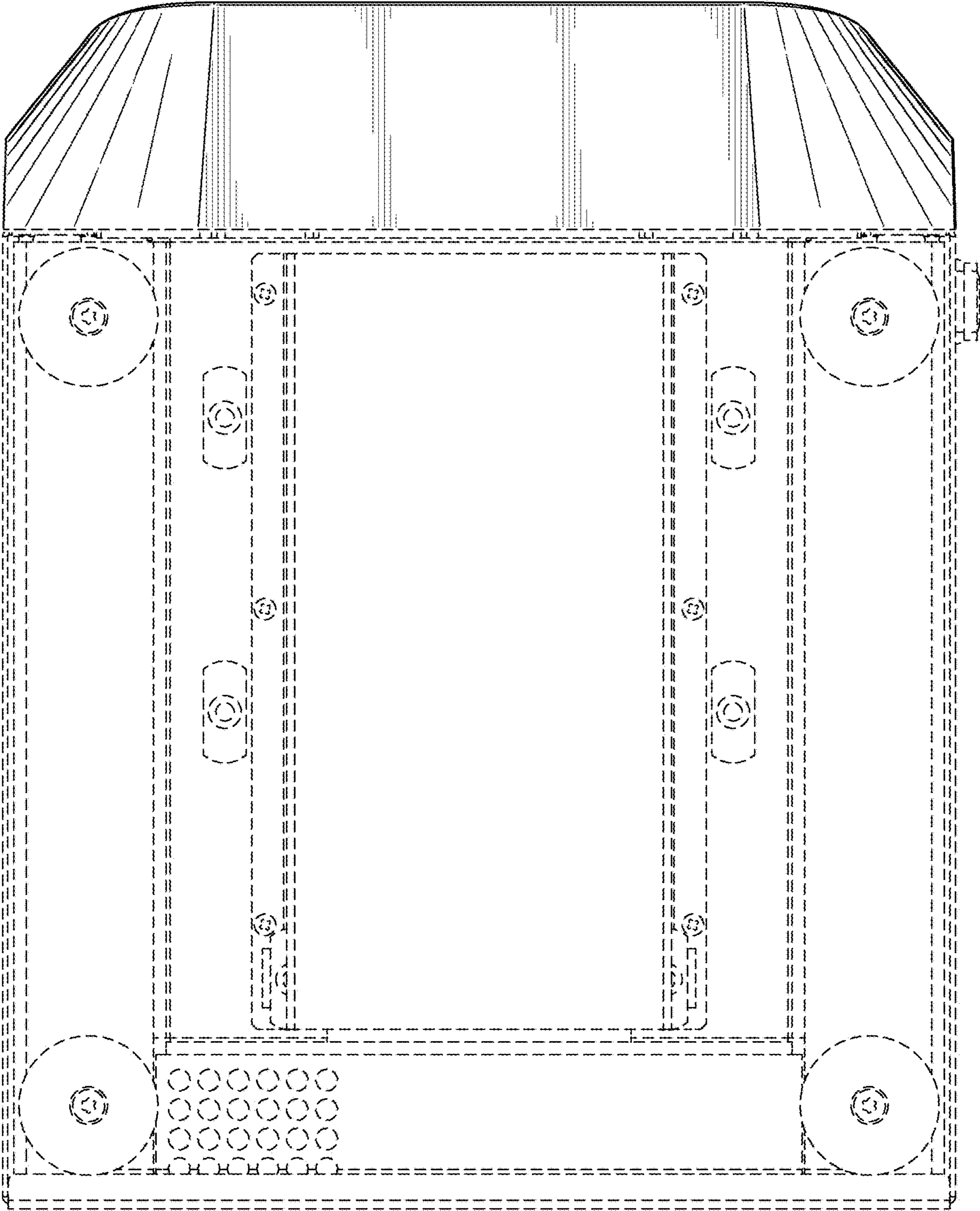


FIG. 8

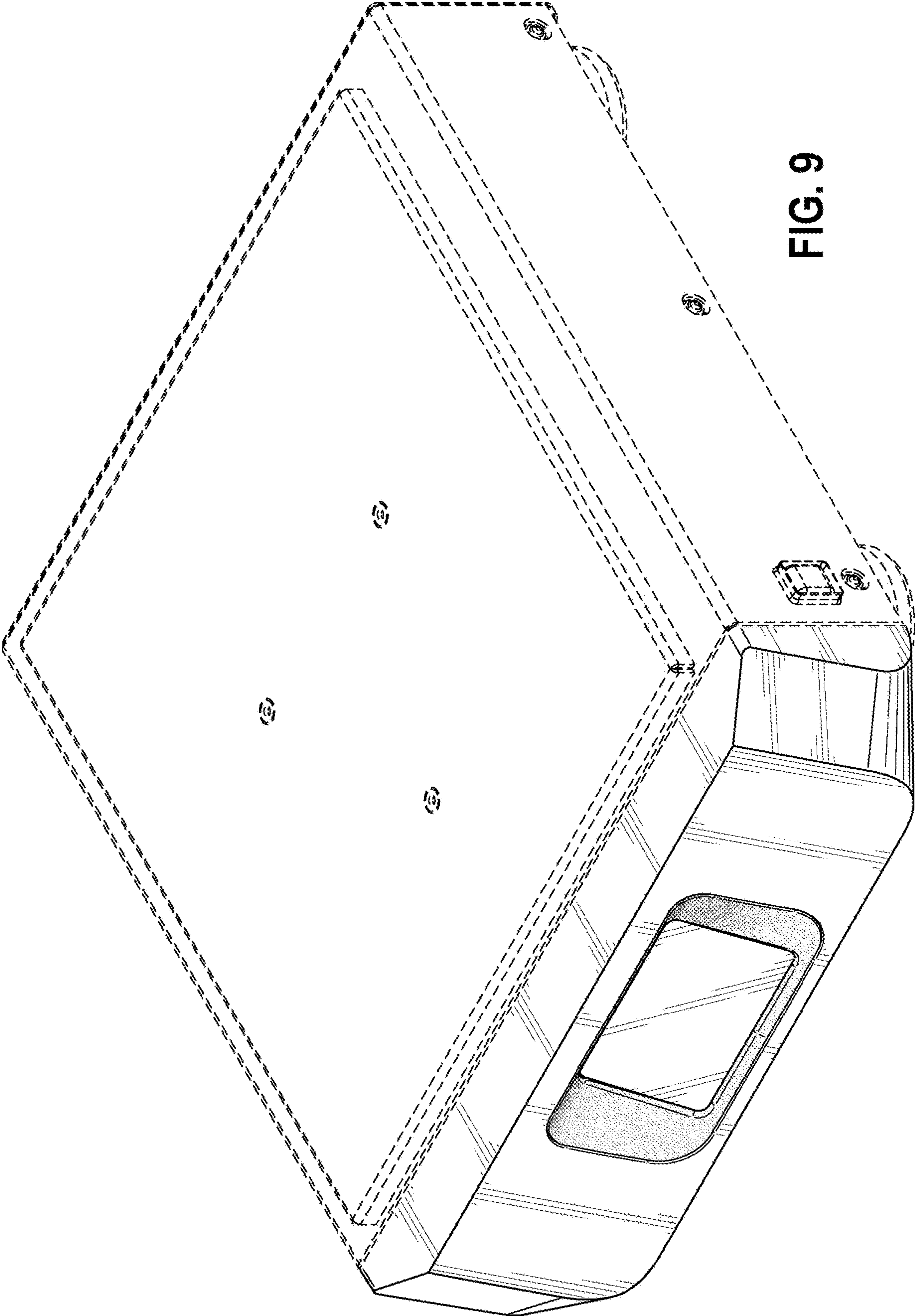


FIG. 9



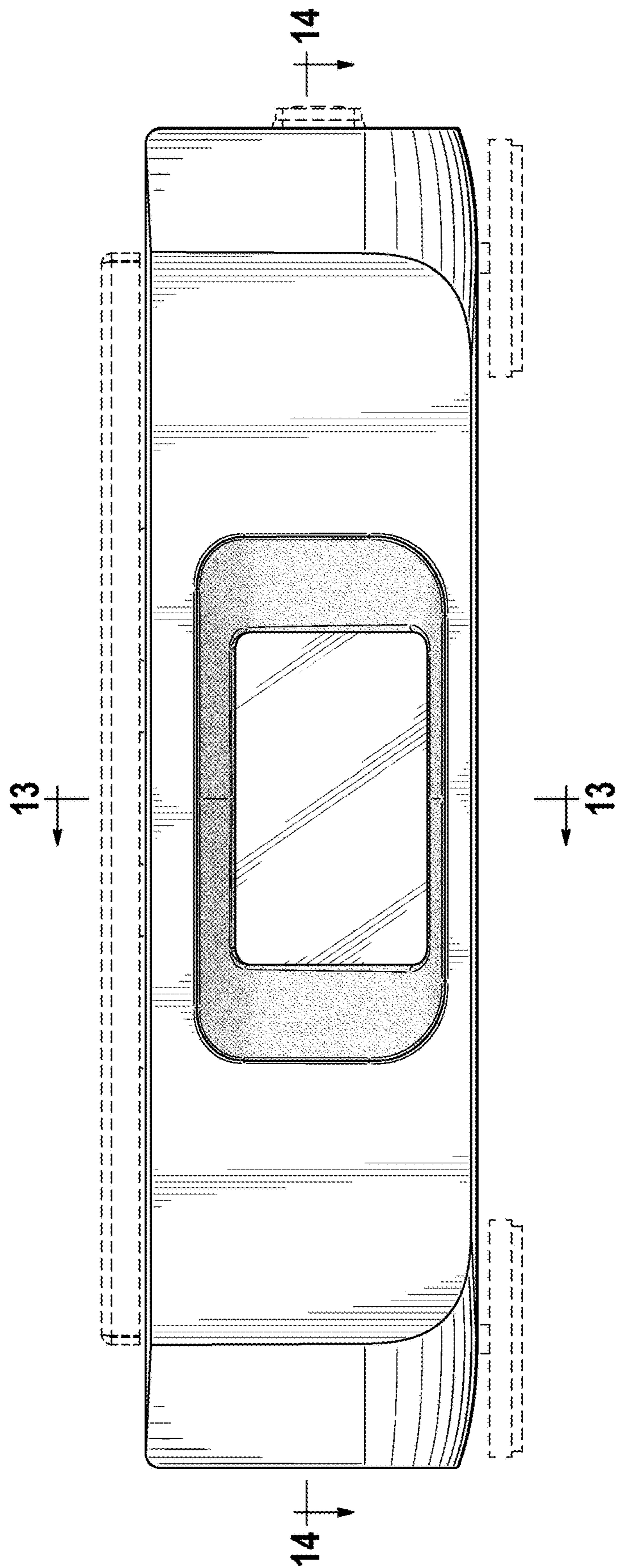


FIG. 10

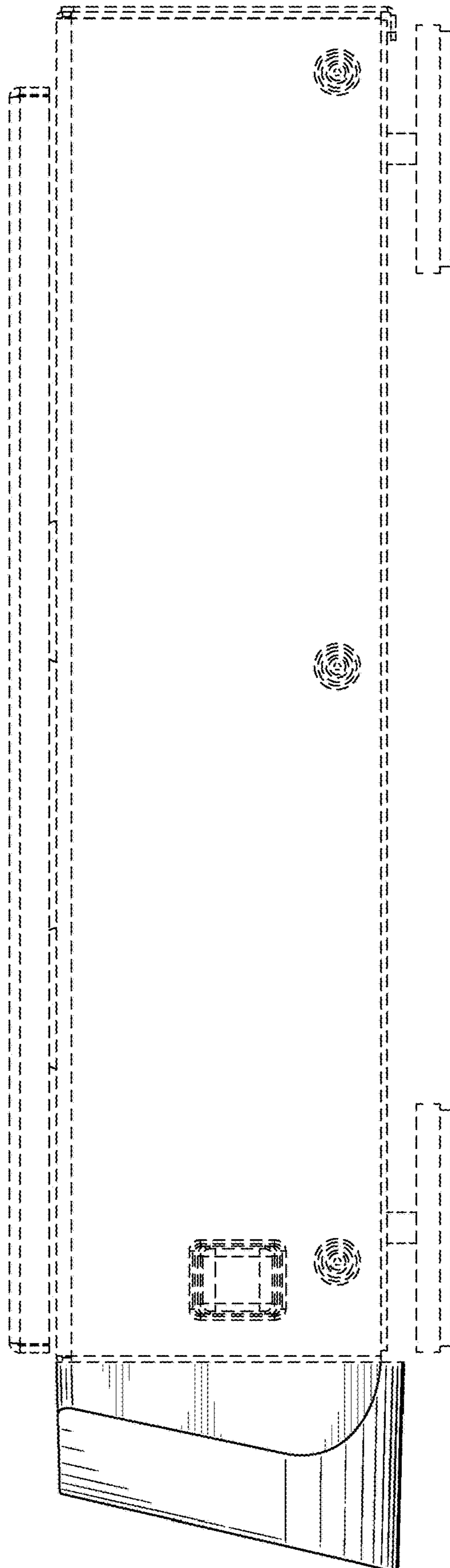


FIG. 11

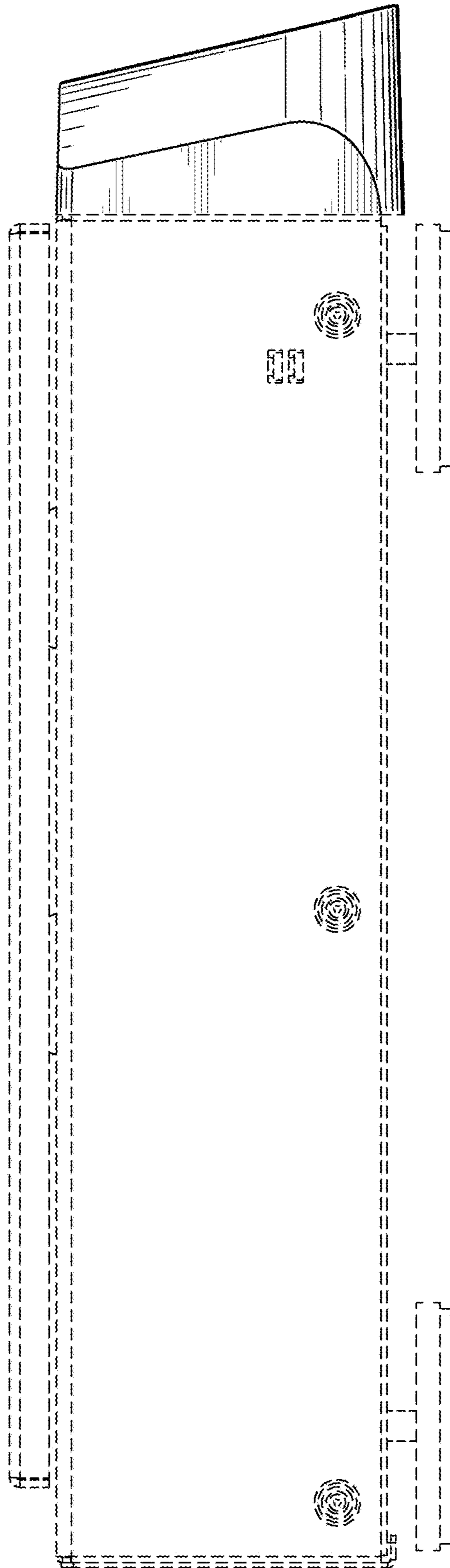


FIG. 12



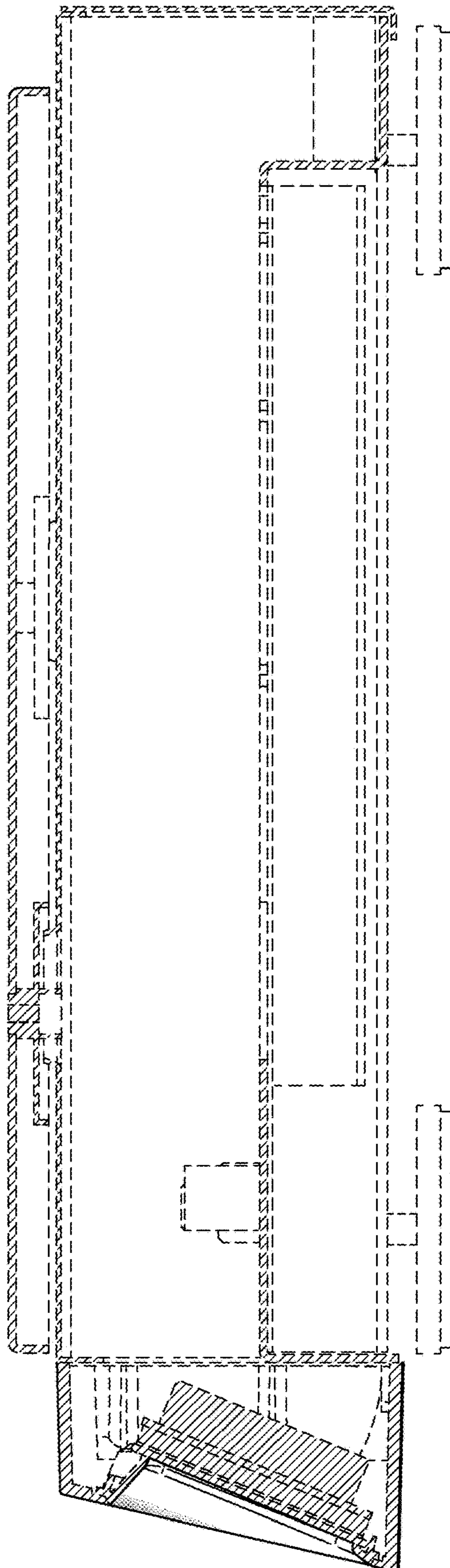


FIG. 13

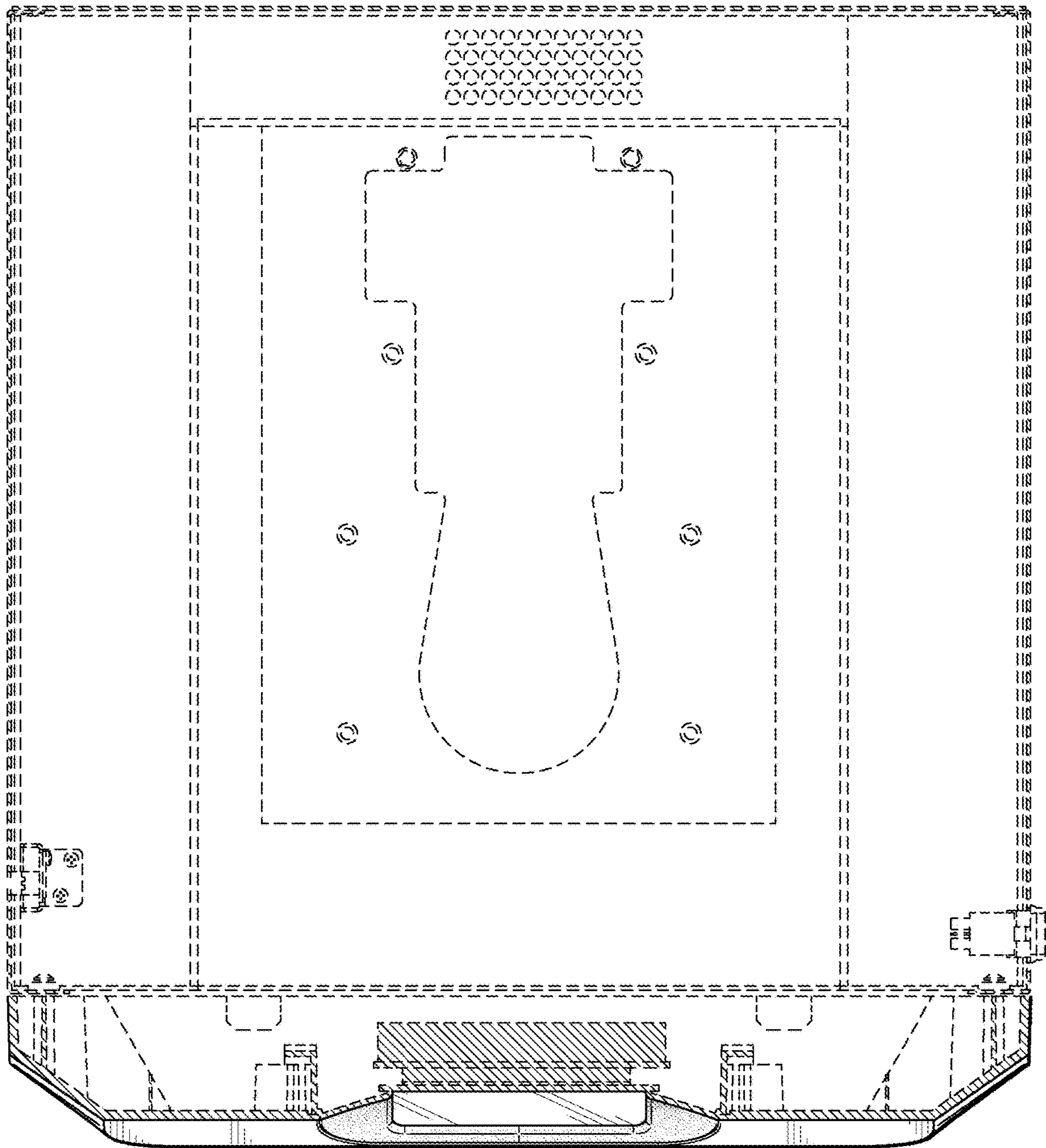


FIG. 14

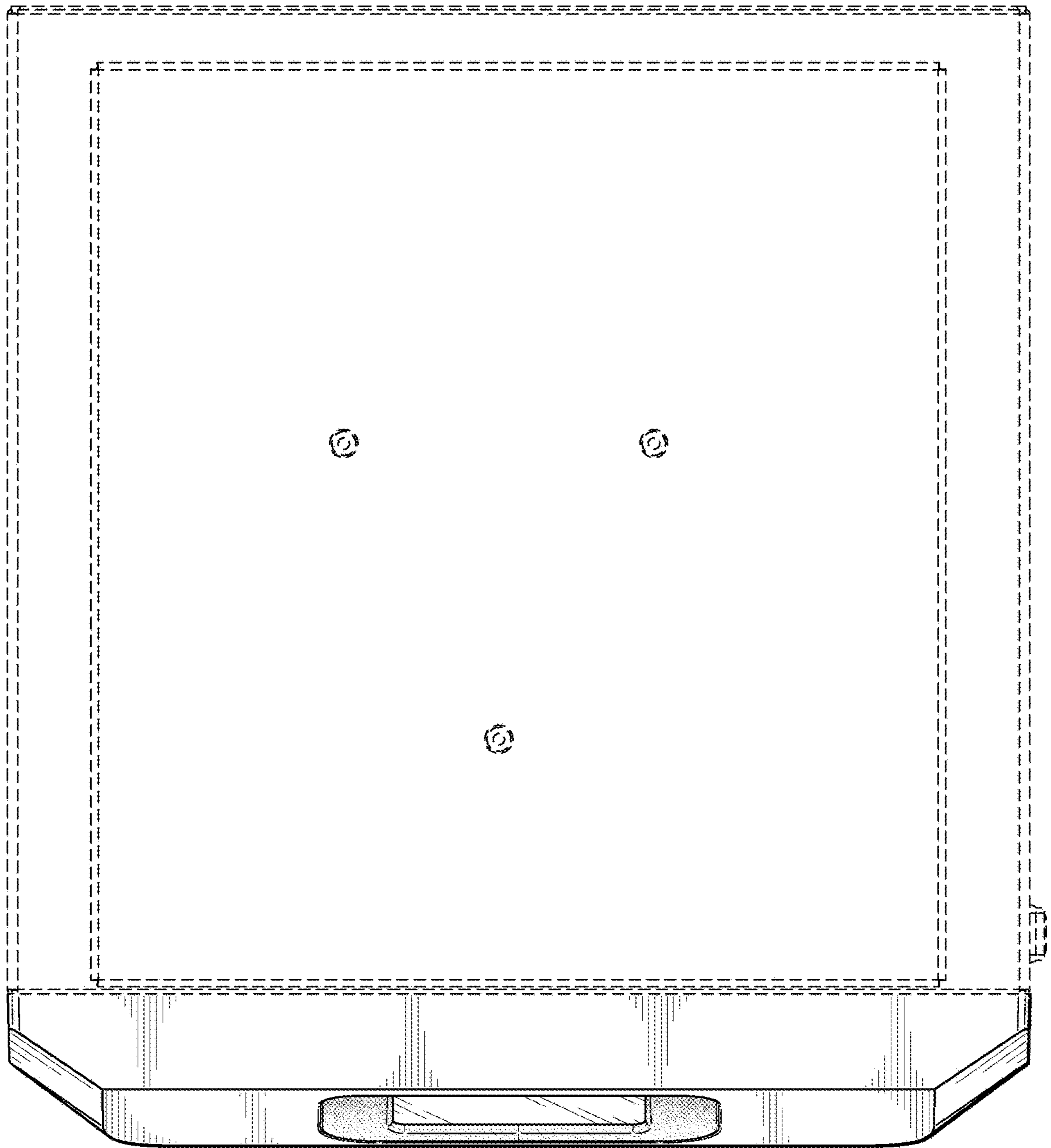


FIG. 15



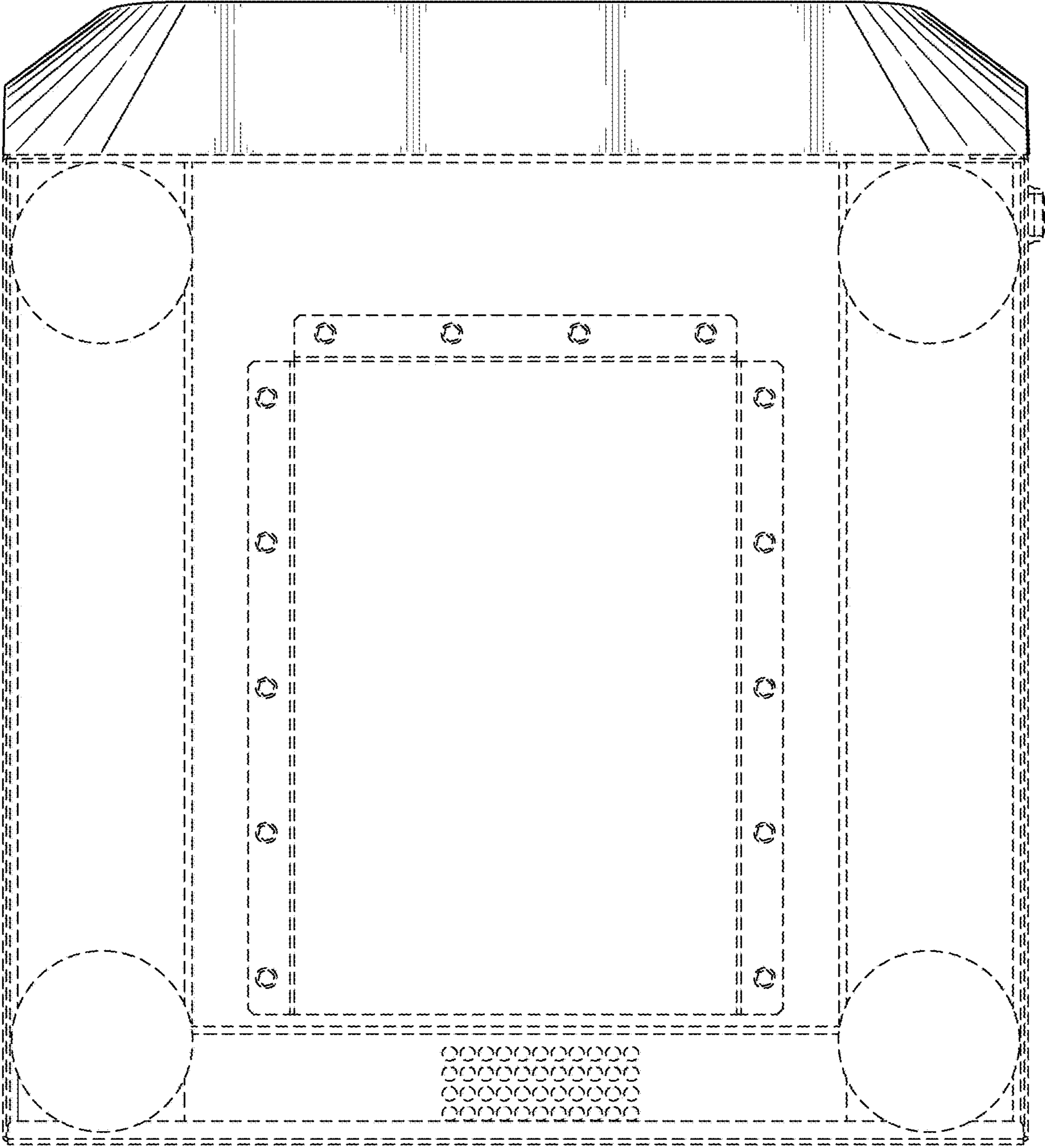


FIG. 16