



US00D936232S

(12) **United States Design Patent**
Jacobson

(10) **Patent No.:** **US D936,232 S**

(45) **Date of Patent:** **** Nov. 16, 2021**

(54) **CONCEALED COMPARTMENT LEG GARMENT**

(71) Applicant: **Derek Jacobson**, Nibley, UT (US)

(72) Inventor: **Derek Jacobson**, Nibley, UT (US)

(73) Assignee: **Jacobson Gear Company, LLC**,
Nibley, UT (US)

(**) Term: **15 Years**

(21) Appl. No.: **29/730,355**

(22) Filed: **Apr. 3, 2020**

(51) **LOC (13) Cl.** **24-02**

(52) **U.S. Cl.**
USPC **D24/190**; D24/128

(58) **Field of Classification Search**
USPC D24/188–190, 155, 128; D29/120.1,
D29/121.1; D2/625, 731, 901
CPC . A61F 2/7812; A61F 2002/7837; B32B 27/12
See application file for complete search history.

(56) **References Cited**

U.S. PATENT DOCUMENTS

D292,444 S *	10/1987	Pankopf	D2/901
4,908,037 A *	3/1990	Ross	A61F 2/80
				2/22
5,376,130 A *	12/1994	Courtney	A61F 2/7812
				24/381
D362,087 S *	9/1995	Anson	D29/120.1
D389,582 S *	1/1998	Bodenschatz	D24/190
6,592,539 B1 *	7/2003	Einarsson	A61F 5/0109
				602/26
D573,713 S *	7/2008	Mueller	D24/190
D723,163 S *	2/2015	Gottlieb	D24/155
D726,327 S *	4/2015	Tanaka	D24/190
D899,608 S *	10/2020	Baptist	D24/190
D905,859 S *	12/2020	Inzer	D24/190

D915,030 S *	4/2021	Pirene	D2/731
2002/0082542 A1 *	6/2002	Hall	B32B 27/12
				602/60
2016/0166411 A1 *	6/2016	Kelley	A61F 2/7812
				623/36

OTHER PUBLICATIONS

Catheter Leg Bag Holder, Catheter Urine Drainage Bags Calf Holder Strap, MUYU, Amazon, [Post date Jun. 2, 2021], [Site Visited Sep. 27, 2021], Seen at URL: <https://amzn.to/3obbhAd> (Year: 2021).*

Cathwear Catheter Leg Bag Underwear—Leg Bag Holder for Men & Women, Amazon, [Post date Sep. 29, 2019],[Site visited Sep. 27, 2021], Seen at URL: <https://www.amazon.com/Underwear-Compatible-Nephrostomy-Suprapubic-Black-Large/dp/B07YJWZSYG> (Year: 2019).*

* cited by examiner

Primary Examiner — Natasha Vujcic

Assistant Examiner — Gilbert B Ford

(74) *Attorney, Agent, or Firm* — Preston P. Frischknecht;
Project CIP

(57) **CLAIM**

The ornamental design for a concealed compartment leg garment, as shown.

DESCRIPTION

FIG. 1 is a perspective view of a concealed compartment leg garment;

FIG. 2 is an alternate perspective view;

FIG. 3 is a first side view;

FIG. 4 is a second side view;

FIG. 5 is a third side view;

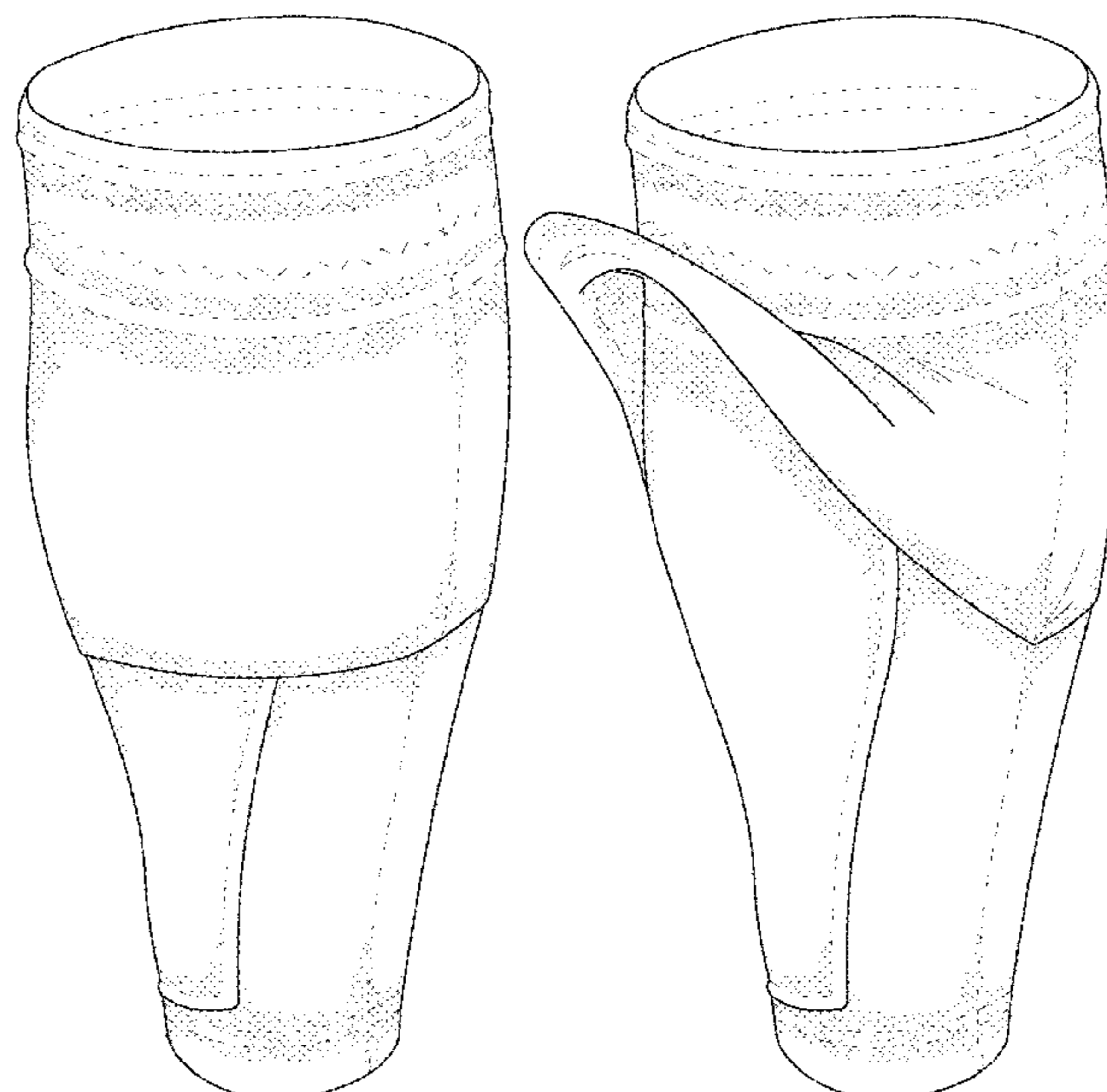
FIG. 6 is a fourth side view;

FIG. 7 is a top view; and,

FIG. 8 is a bottom view.

The dashed lines represent portions of the concealed compartment leg garment that form no part of the claimed design.

1 Claim, 8 Drawing Sheets



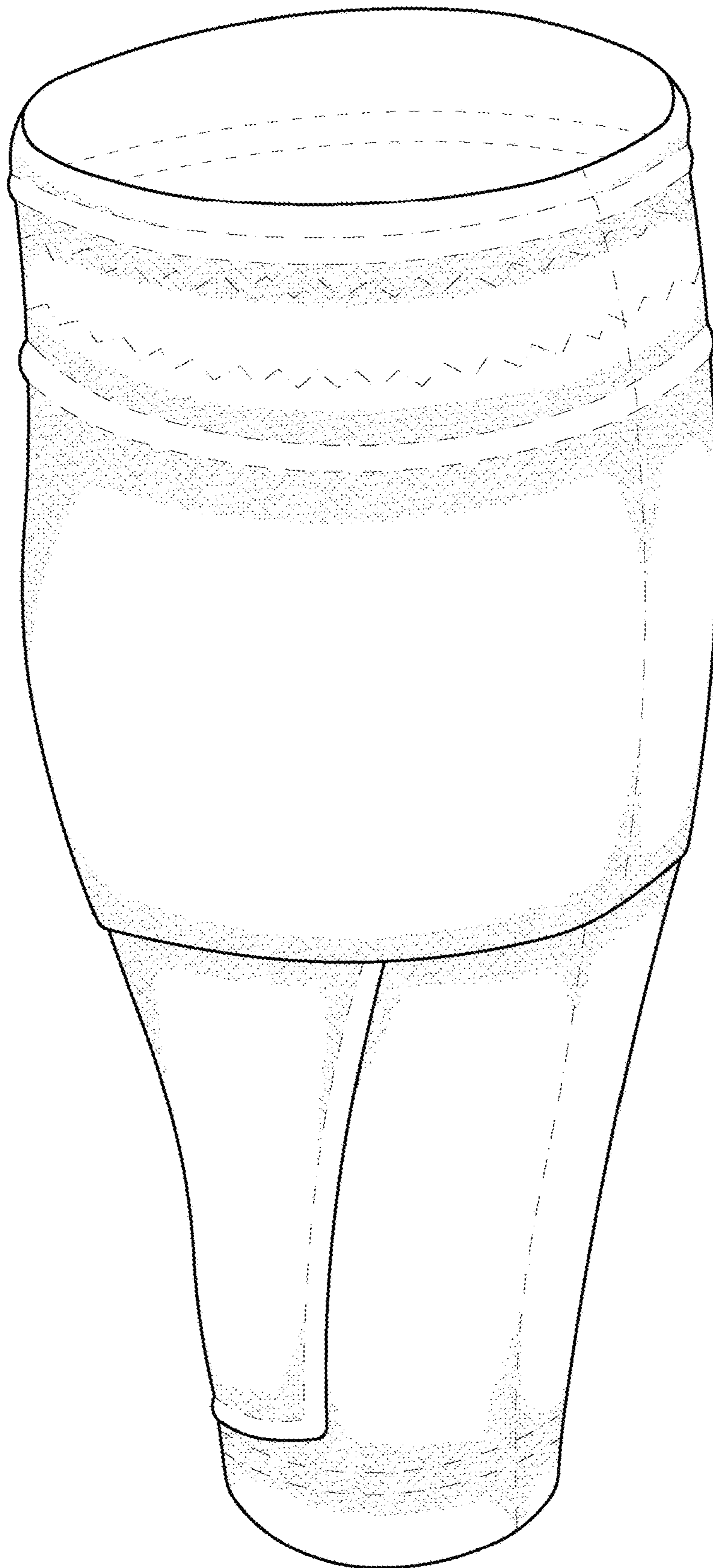


FIG. 1

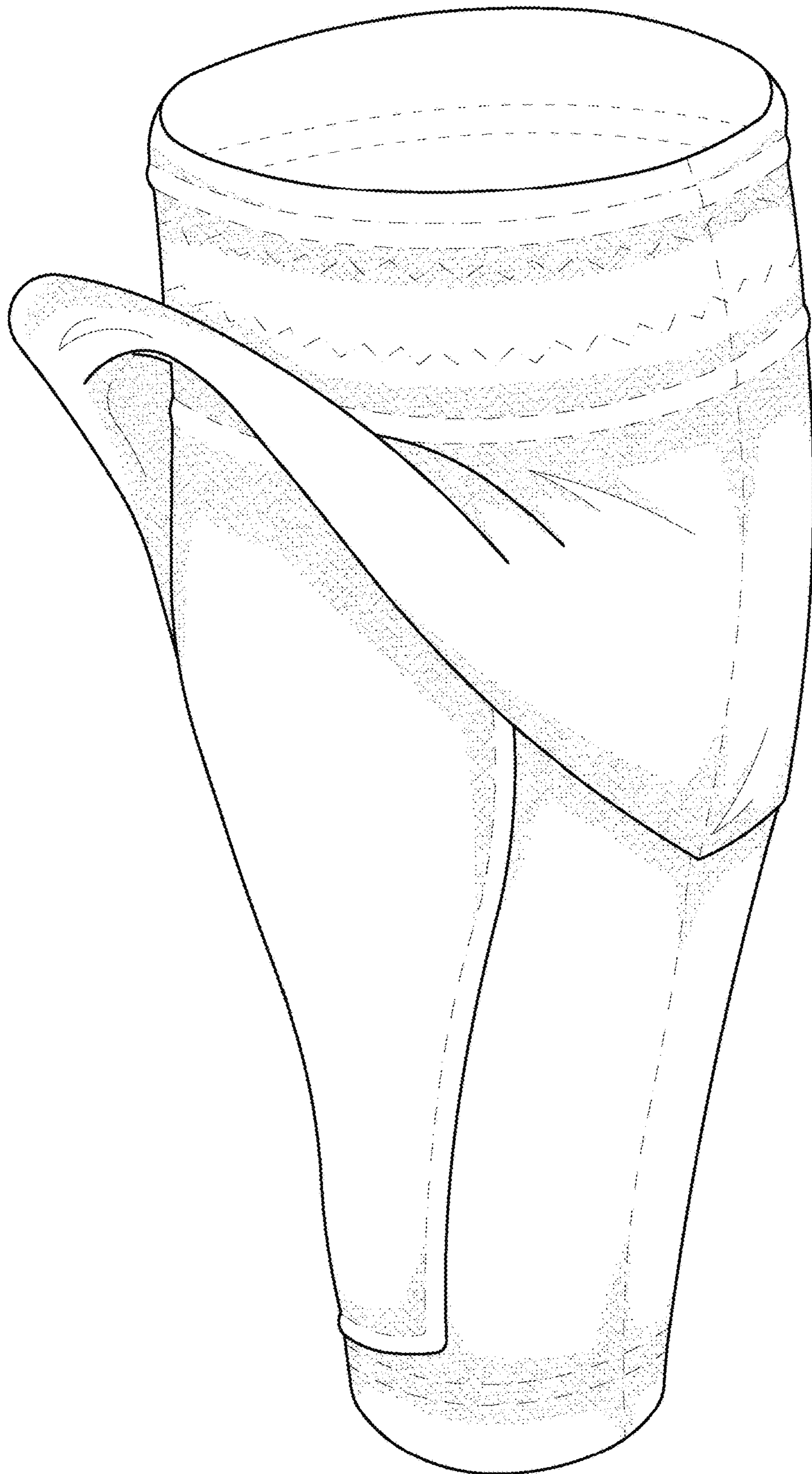


FIG. 2

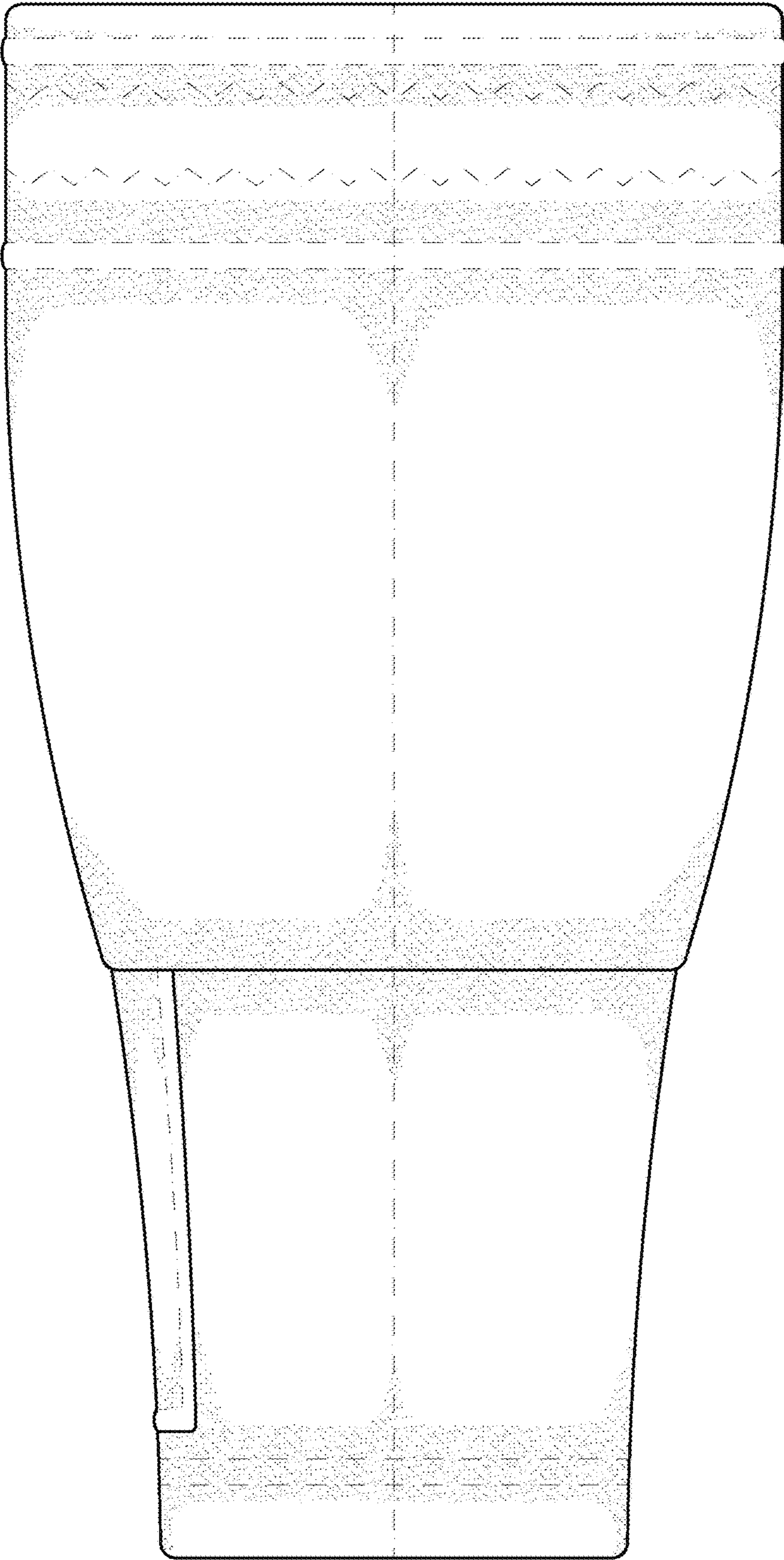


FIG. 3

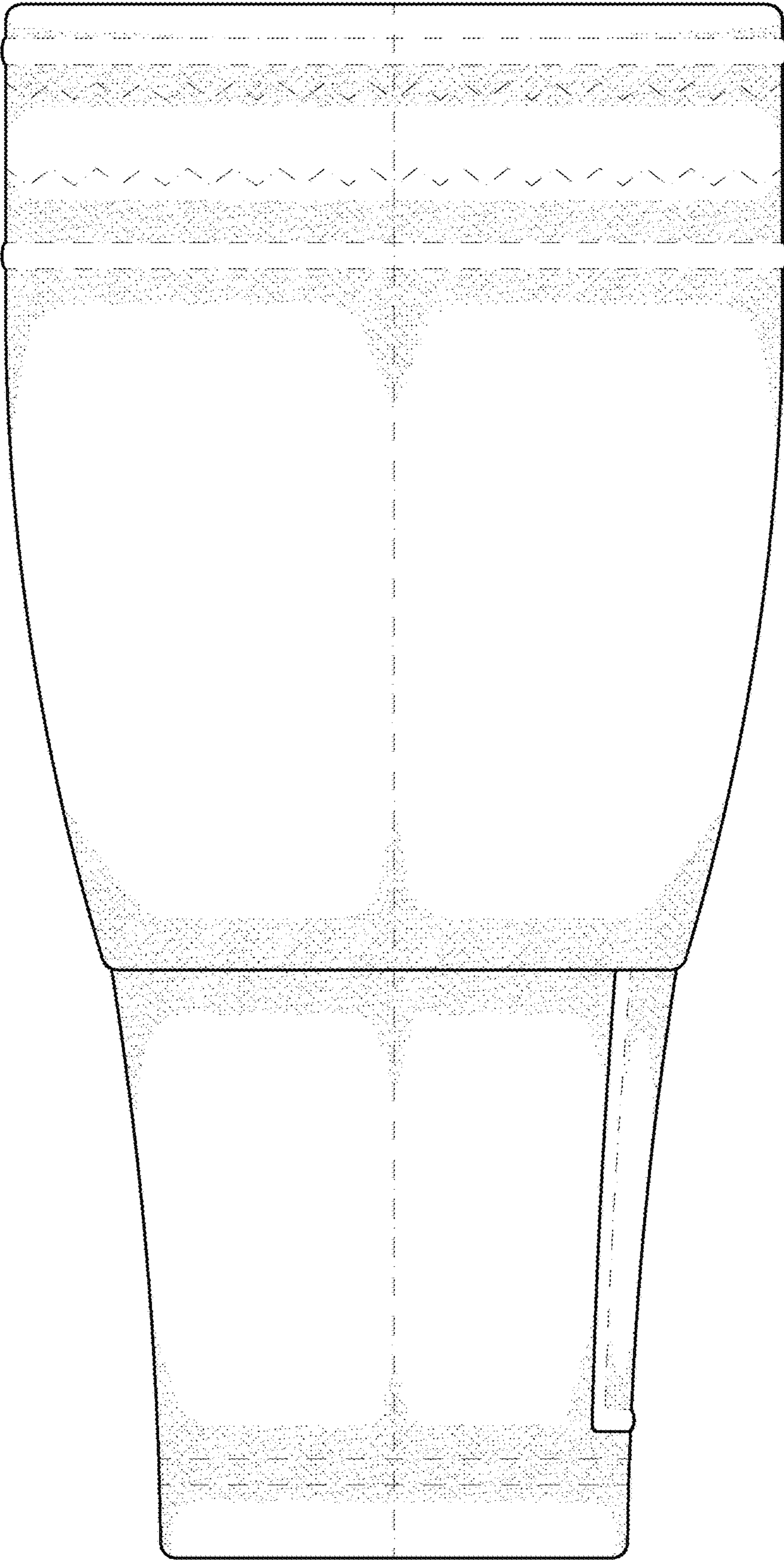


FIG. 4

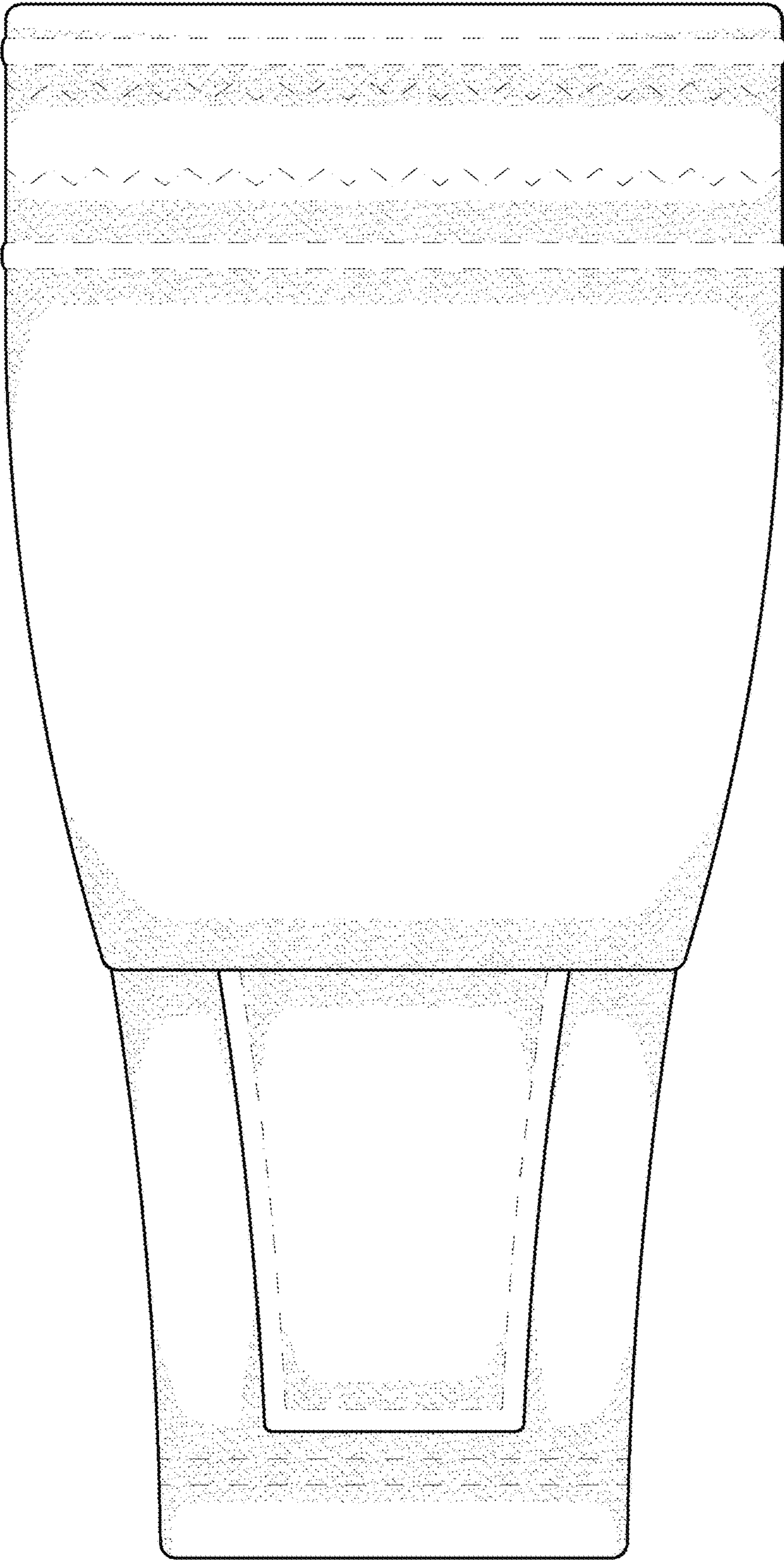


FIG. 5

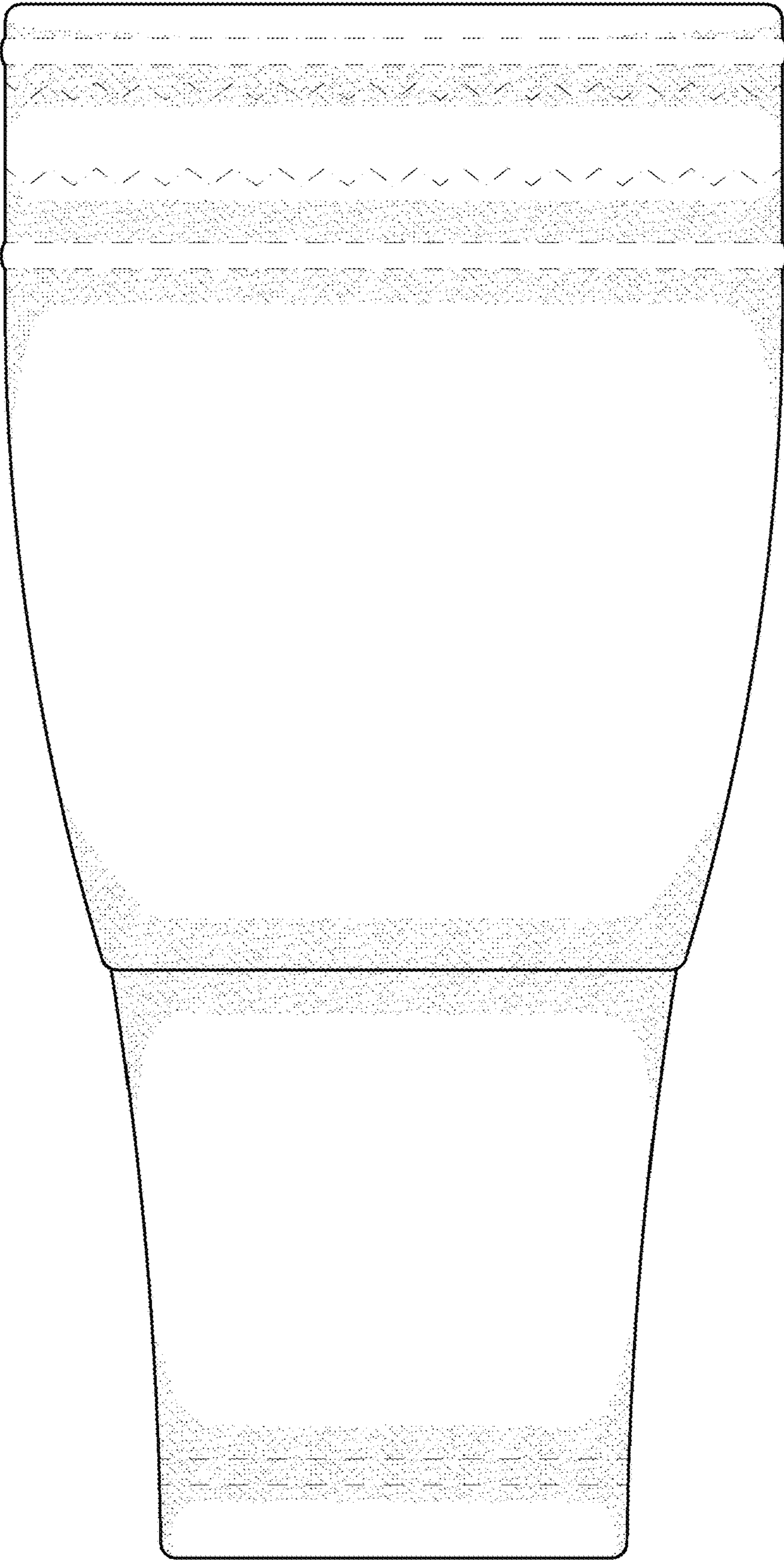


FIG. 6

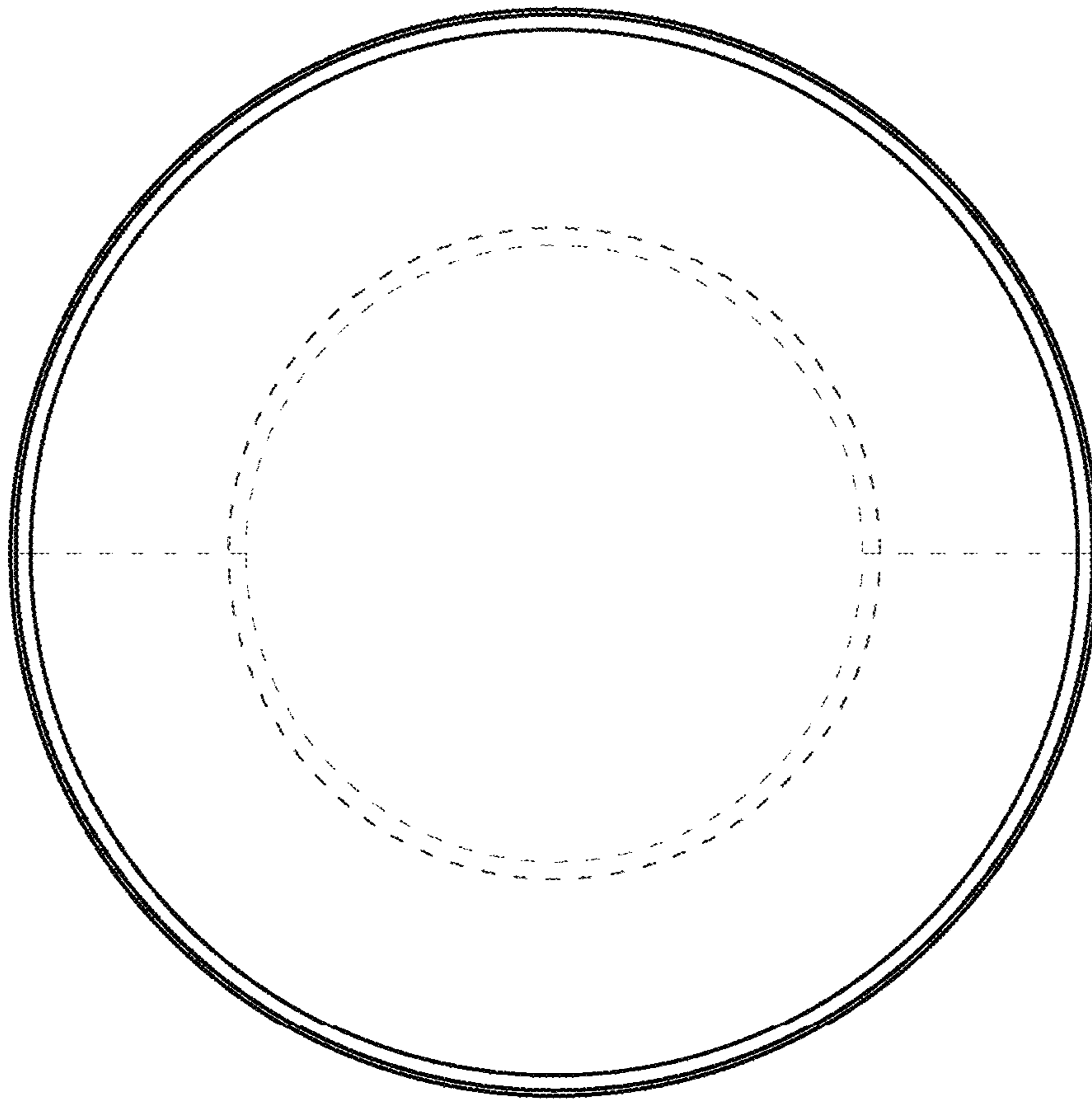


FIG. 7

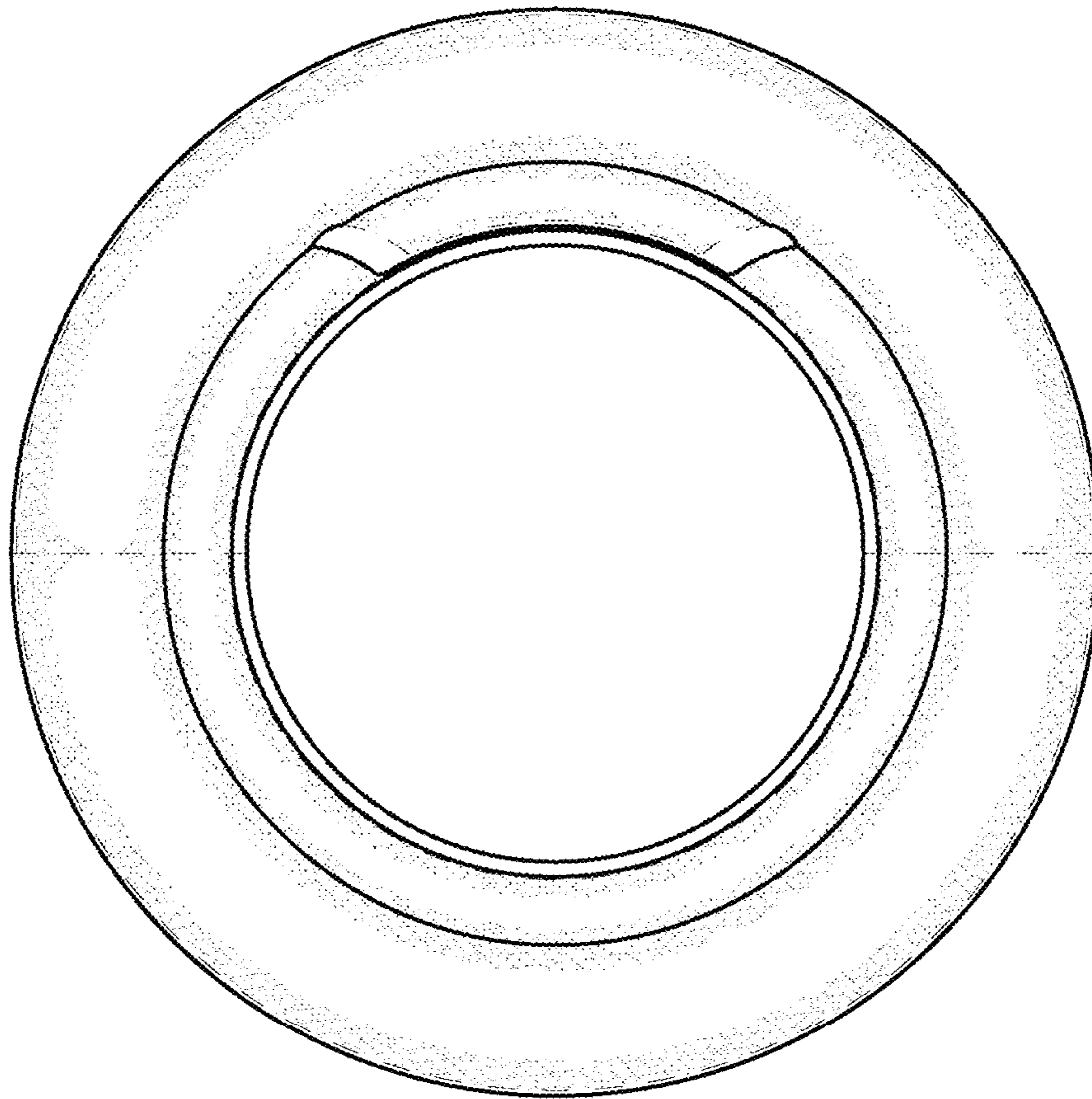


FIG. 8