



US00D936231S

(12) **United States Design Patent** (10) **Patent No.:** **US D936,231 S**
Shurtliff et al. (45) **Date of Patent:** **** Nov. 16, 2021**

- (54) **MEDICAL ARM BAND**
- (71) Applicant: **Monovo LLC**, Orem, UT (US)
- (72) Inventors: **Jarom Shurtliff**, Millcreek, UT (US);
Jonathan Muñoz, West Jordan, UT (US); **Steven Taylor**, Millcreek, UT (US)
- (73) Assignee: **MONOVO LLC**, Orem, UT (US)
- (**) Term: **15 Years**
- (21) Appl. No.: **29/738,367**
- (22) Filed: **Jun. 17, 2020**

D768,300 S 10/2016 Felix
 D772,228 S * 11/2016 Jung D14/344
 D772,867 S 11/2016 Park et al.
 (Continued)

OTHER PUBLICATIONS

International Search Report and Written Opinion for application No. PCT/US18/25883, dated Jun. 28, 2018.

Primary Examiner — Anhdao Doan
(74) *Attorney, Agent, or Firm* — Workman Nydegger

(57) **CLAIM**

The ornamental design for a medical arm band, as shown and described.

Related U.S. Application Data

- (62) Division of application No. 29/656,436, filed on Jul. 12, 2018, now Pat. No. Des. 890,933.
- (51) **LOC (13) Cl.** **24-01**
- (52) **U.S. Cl.**
USPC **D24/186**
- (58) **Field of Classification Search**
USPC D24/107, 164, 165–169, 186, 187;
D10/75, 70, 98, 30–32; D14/341, 344
CPC A61B 5/0402; A61B 5/0404; A61B 5/021;
A61B 5/024; A61B 2560/0205; A61B
2560/0462; A61B 5/6803; A61B 5/681;
A61B 5/6824; A61B 5/6825; A61B
5/02405; A61B 5/02438
See application file for complete search history.

DESCRIPTION

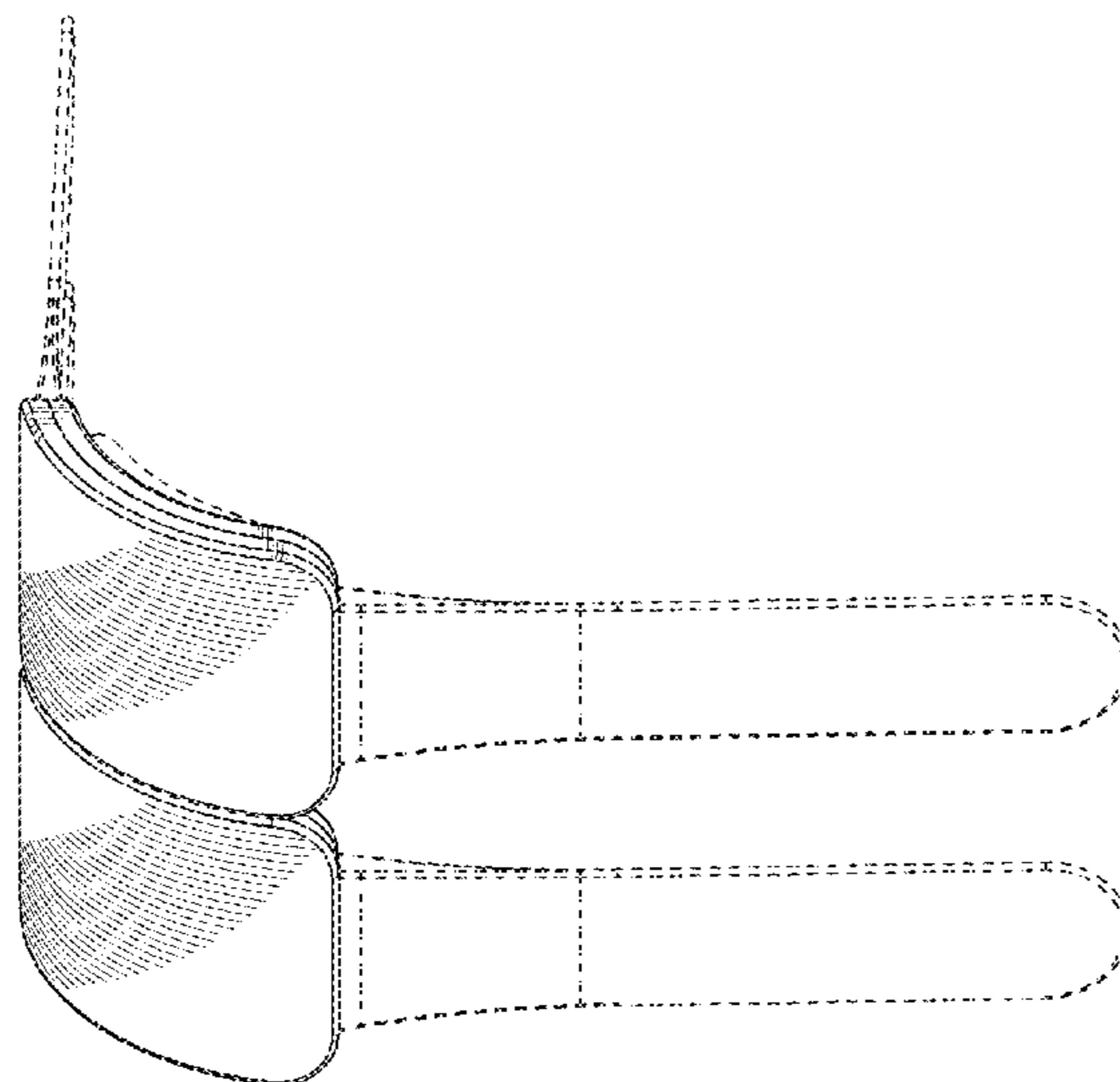
FIG. 1 is a perspective view of the new design for a medical arm band in a typical environment;
 FIG. 2 is a front, right perspective view of the new design for a medical arm band;
 FIG. 3 is a front elevation view thereof;
 FIG. 4 is a rear elevation view thereof;
 FIG. 5 is a top plan view thereof;
 FIG. 6 is a bottom plan view thereof;
 FIG. 7 is a right side elevation view thereof;
 FIG. 8 is a left side elevation view thereof;
 FIG. 9 is a front, right perspective view of another embodiment of the new design for a medical arm band;
 FIG. 10 is a front elevation view thereof;
 FIG. 11 is a rear elevation view thereof;
 FIG. 12 is a top plan view thereof;
 FIG. 13 is a bottom plan view thereof;
 FIG. 14 is a right side elevation view thereof; and,
 FIG. 15 is a left side elevation view thereof.
 The broken lines in FIG. 1 show environmental subject matter, and the broken lines in FIGS. 2 through 15 depict portions of the medical arm band that form no part of the claimed design.

(56) **References Cited**

U.S. PATENT DOCUMENTS

- 6,132,383 A 10/2000 Chesney et al.
- D439,981 S 4/2001 Kasabach et al.
- D576,501 S * 9/2008 Tang D10/31
- D715,446 S 10/2014 Lee et al.
- D750,623 S * 3/2016 Park D14/344
- D753,314 S 4/2016 Stivoric et al.
- D764,323 S 8/2016 Yang et al.

1 Claim, 7 Drawing Sheets



(56)

References Cited

U.S. PATENT DOCUMENTS

| | | | | |
|--------------|------|---------|---------------------|------------------------|
| D772,869 | S | 11/2016 | Iizuka et al. | |
| D787,511 | S * | 5/2017 | Lee | D14/344 |
| D794,013 | S | 8/2017 | Heck et al. | |
| D810,737 | S | 2/2018 | Cho | |
| D810,739 | S * | 2/2018 | Mitsugi | D14/344 |
| D838,853 | S | 1/2019 | Lumme | |
| D890,933 | S * | 7/2020 | Shurtliff | D24/186 |
| 2011/0209373 | A1 | 9/2011 | Padgett et al. | |
| 2014/0135592 | A1 * | 5/2014 | Ohnemus | G16H 50/30 600/301 |
| 2014/0275854 | A1 * | 9/2014 | Venkatraman | A61B 5/318 600/301 |
| 2015/0309535 | A1 | 10/2015 | Connor | |
| 2016/0022210 | A1 | 1/2016 | Nuovo et al. | |
| 2016/0058366 | A1 * | 3/2016 | Choi | A61B 5/1118 600/301 |
| 2016/0089042 | A1 | 3/2016 | Saponas et al. | |
| 2016/0206277 | A1 | 7/2016 | Bidichandani et al. | |
| 2017/0095212 | A1 * | 4/2017 | Albadawi | A61B 5/721 |
| 2017/0224236 | A1 * | 8/2017 | Ho | A61B 5/0205 |
| 2018/0303419 | A1 | 10/2018 | Munoz et al. | |

* cited by examiner

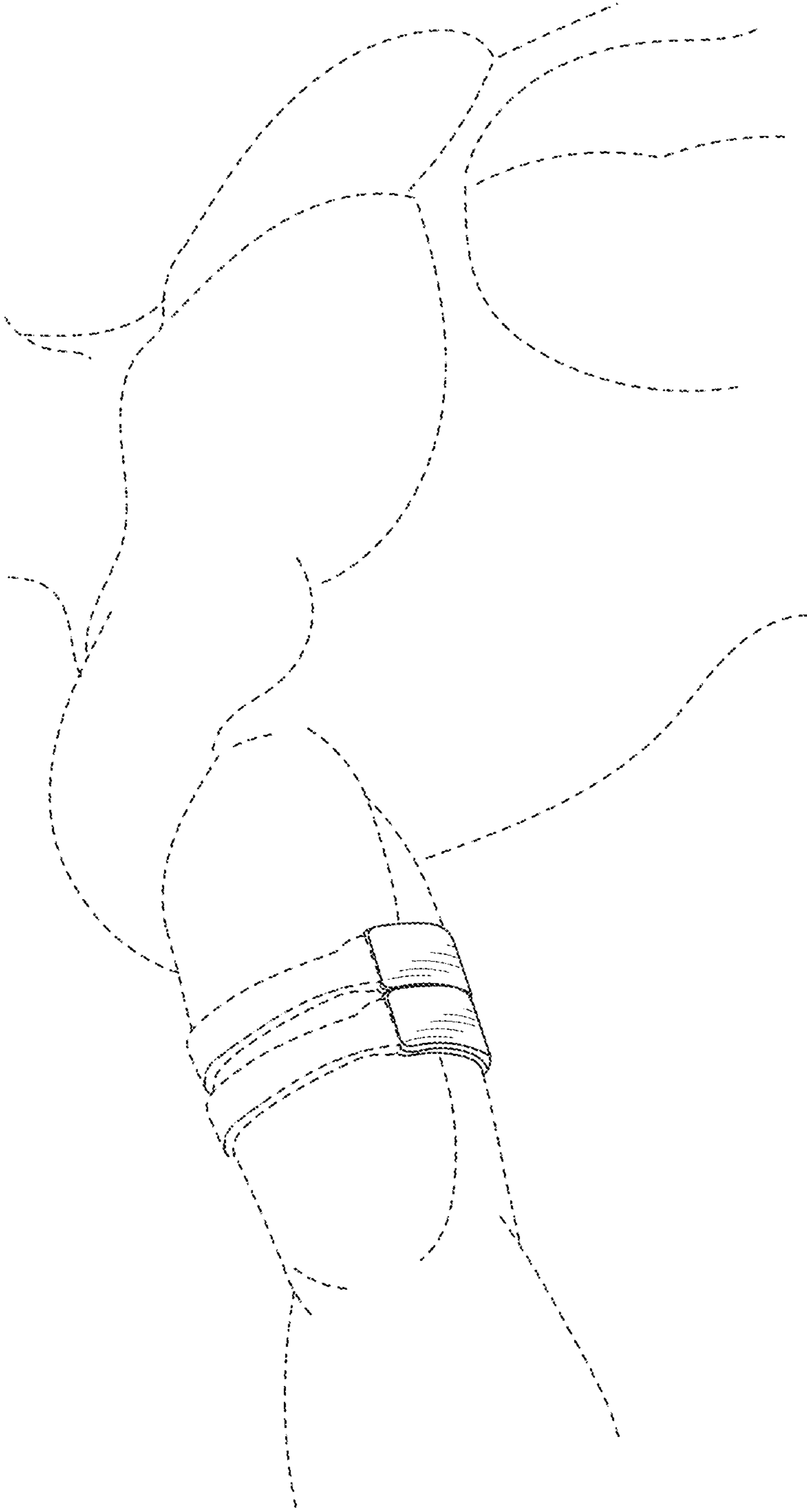


FIG. 1

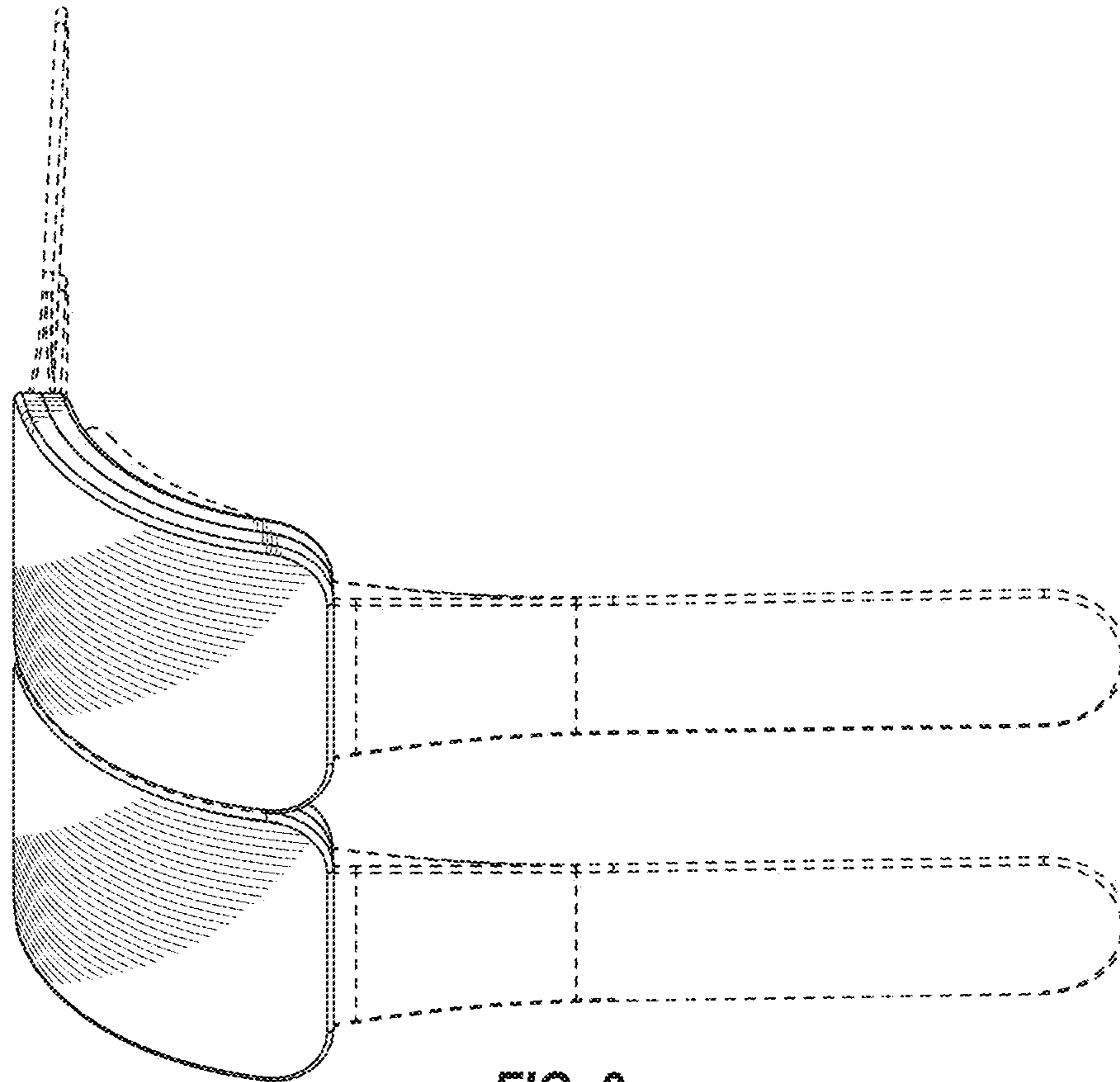


FIG. 2

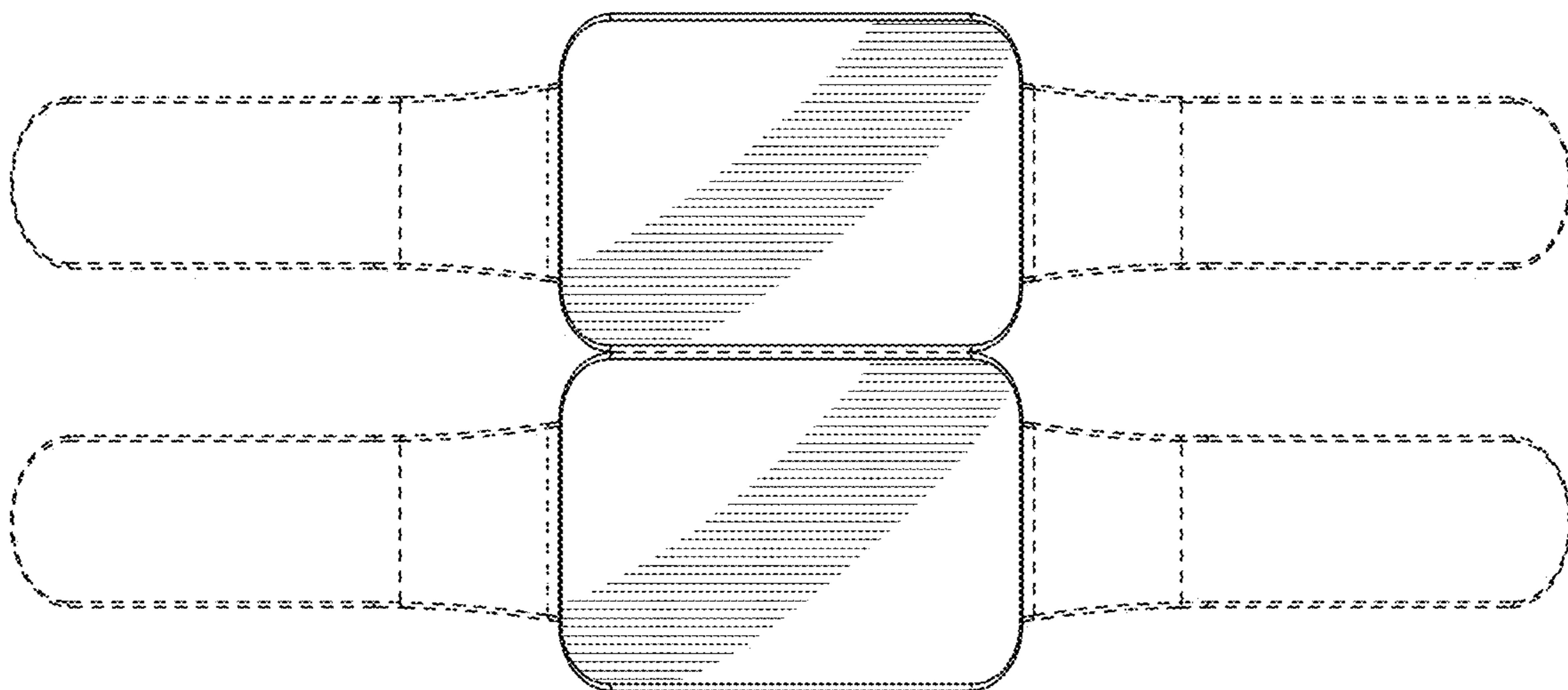


FIG. 3

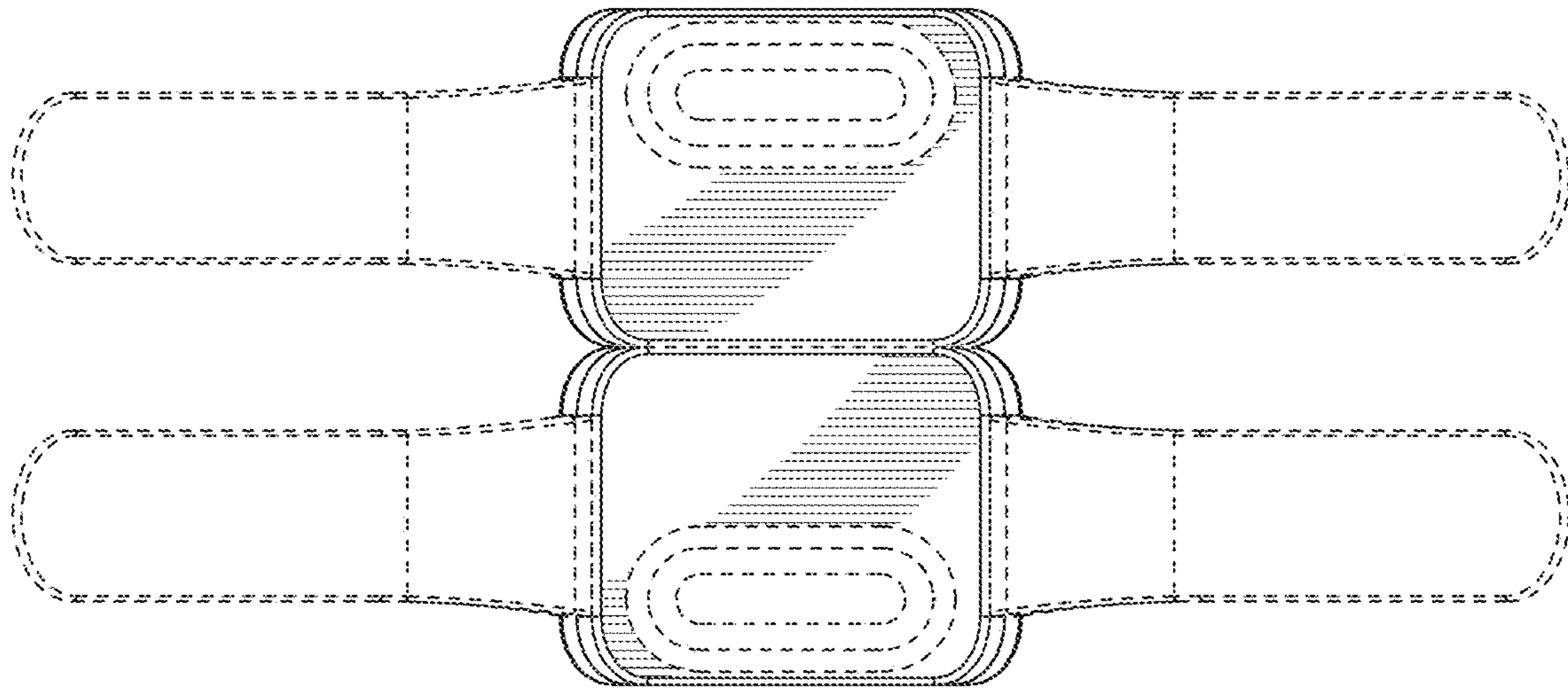


FIG. 4



FIG. 5

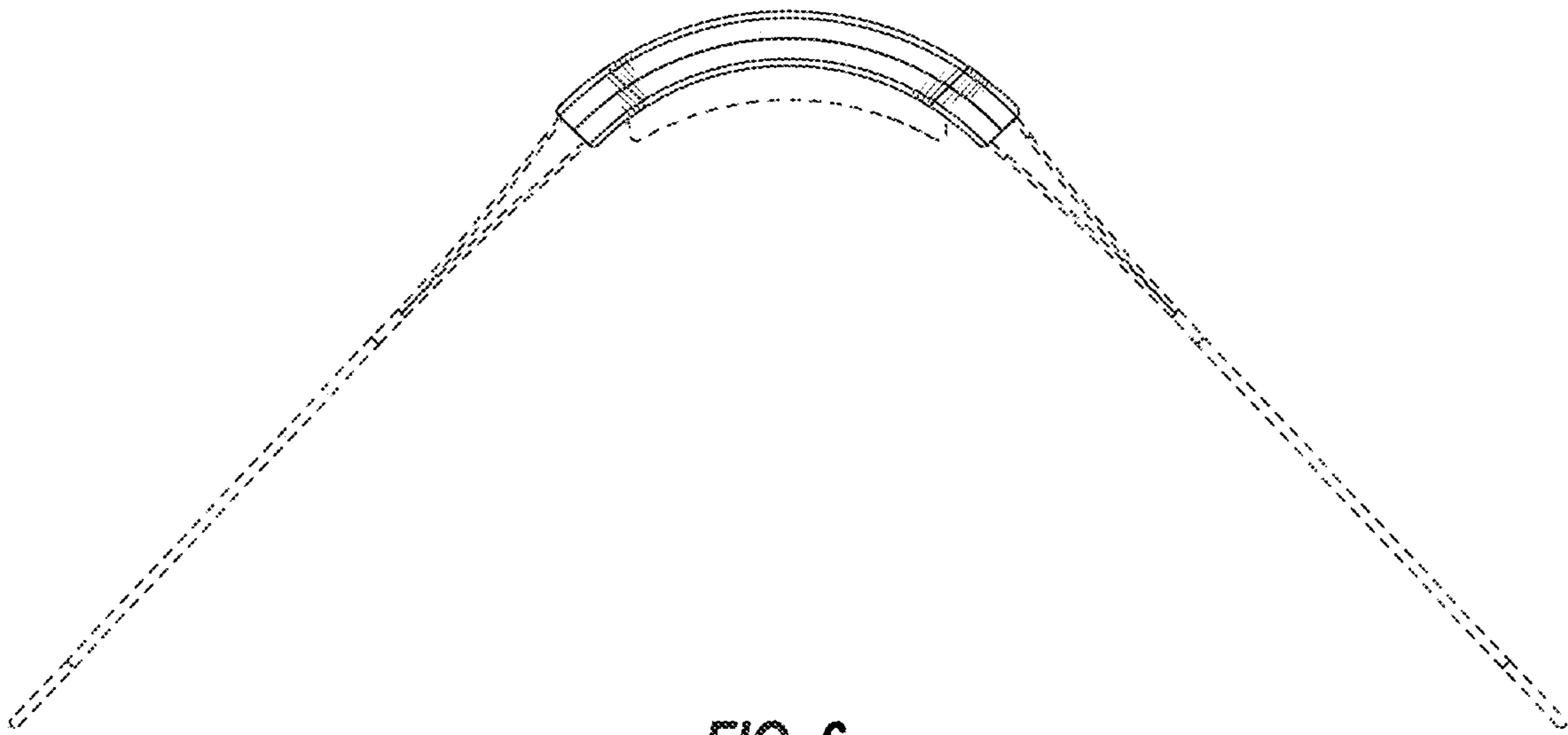


FIG. 6

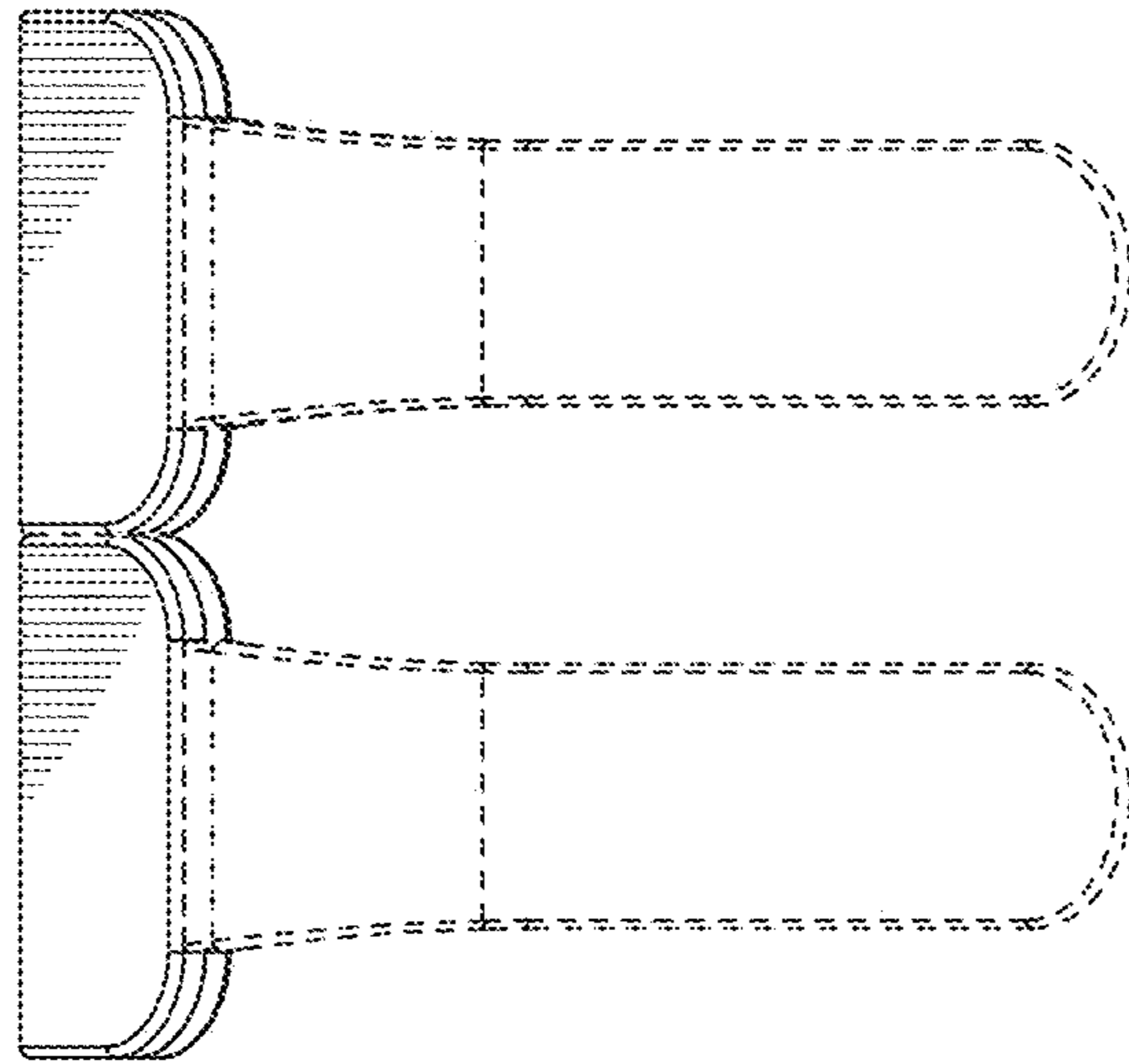


FIG. 7

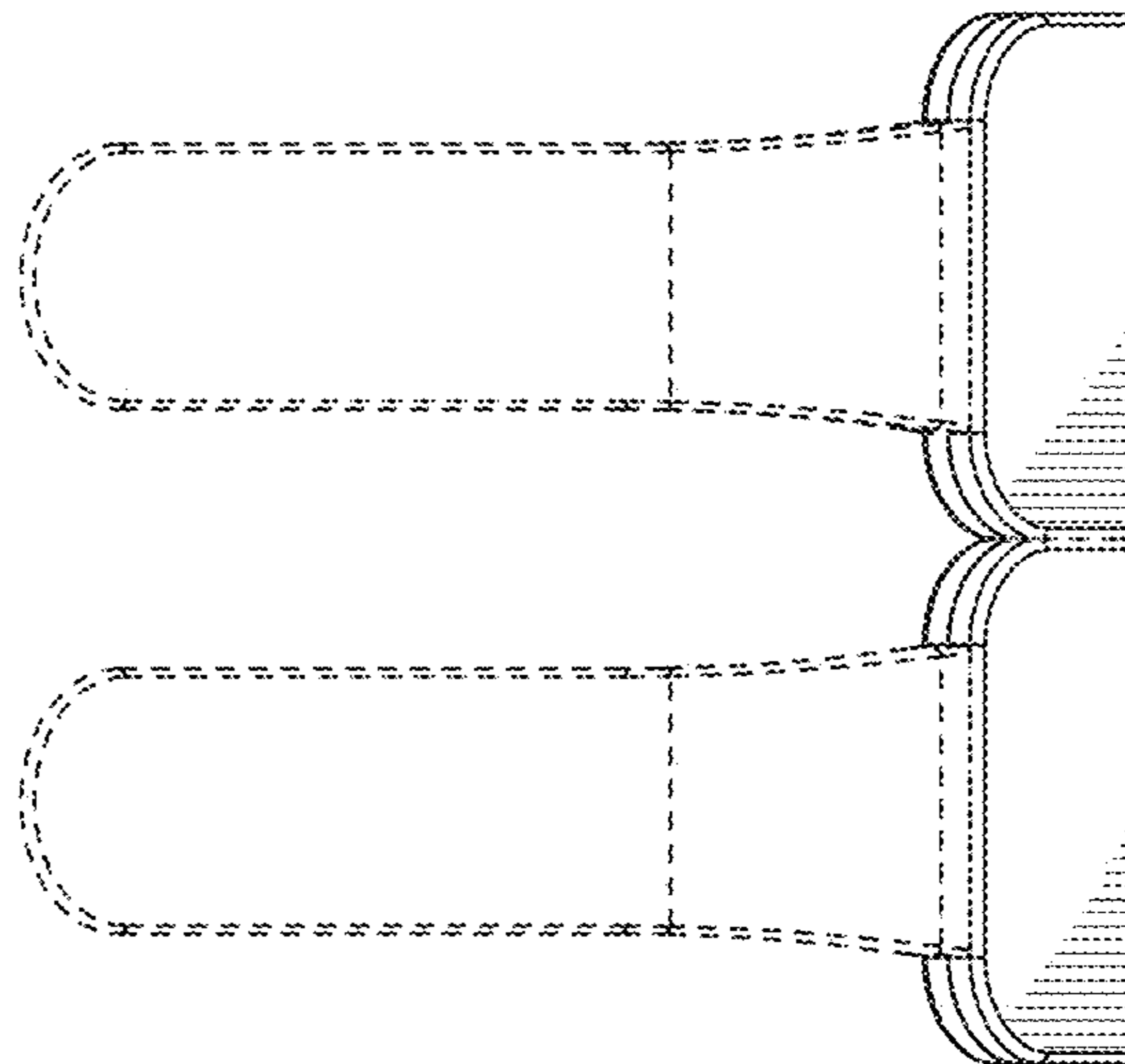


FIG. 8

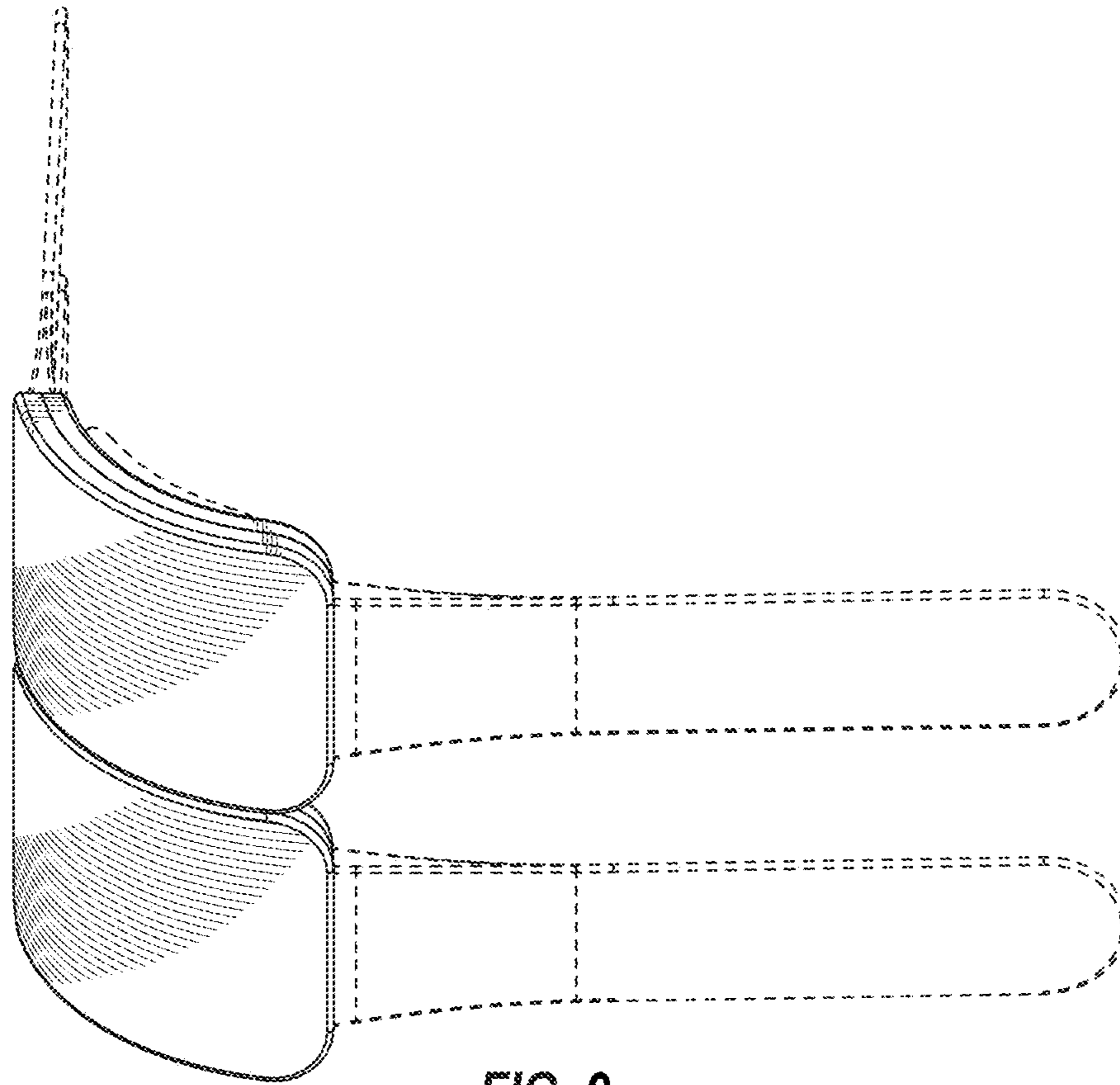


FIG. 9

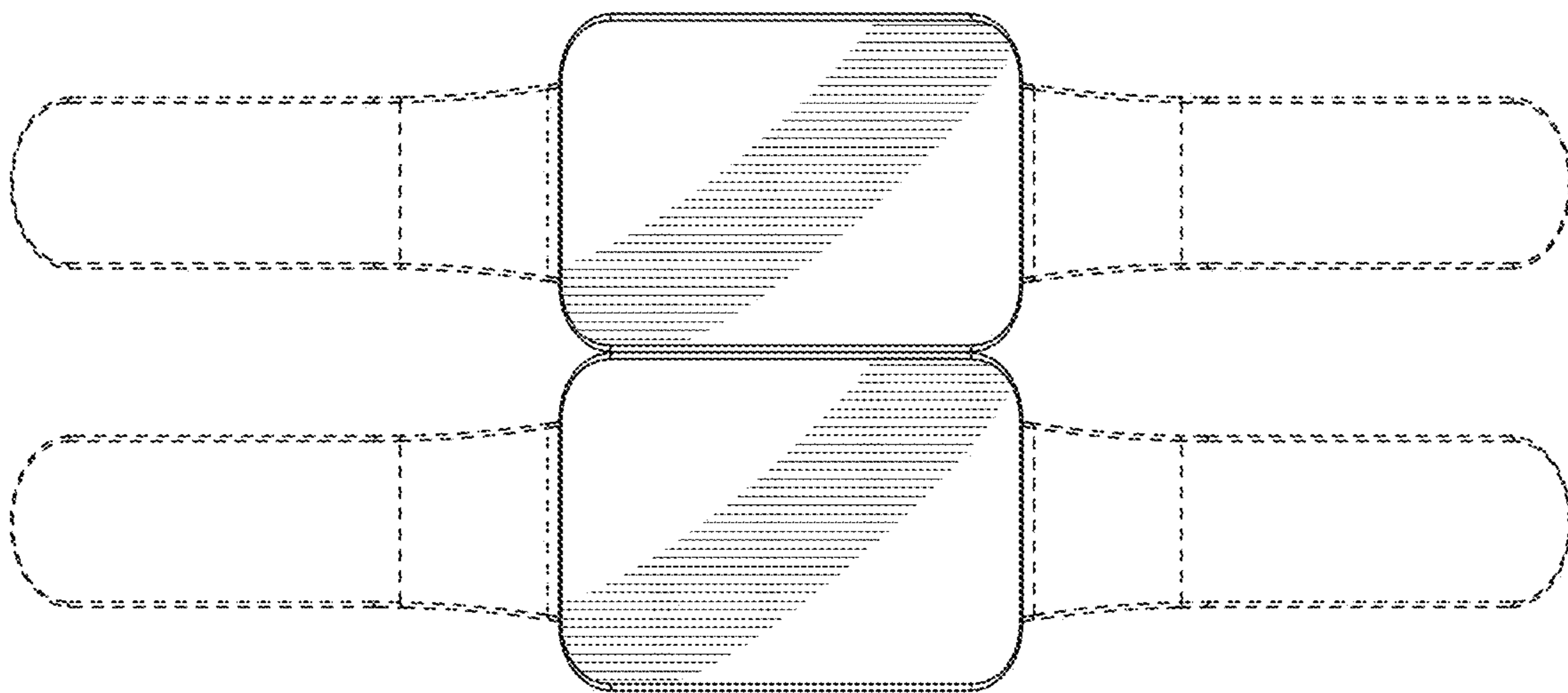


FIG. 10

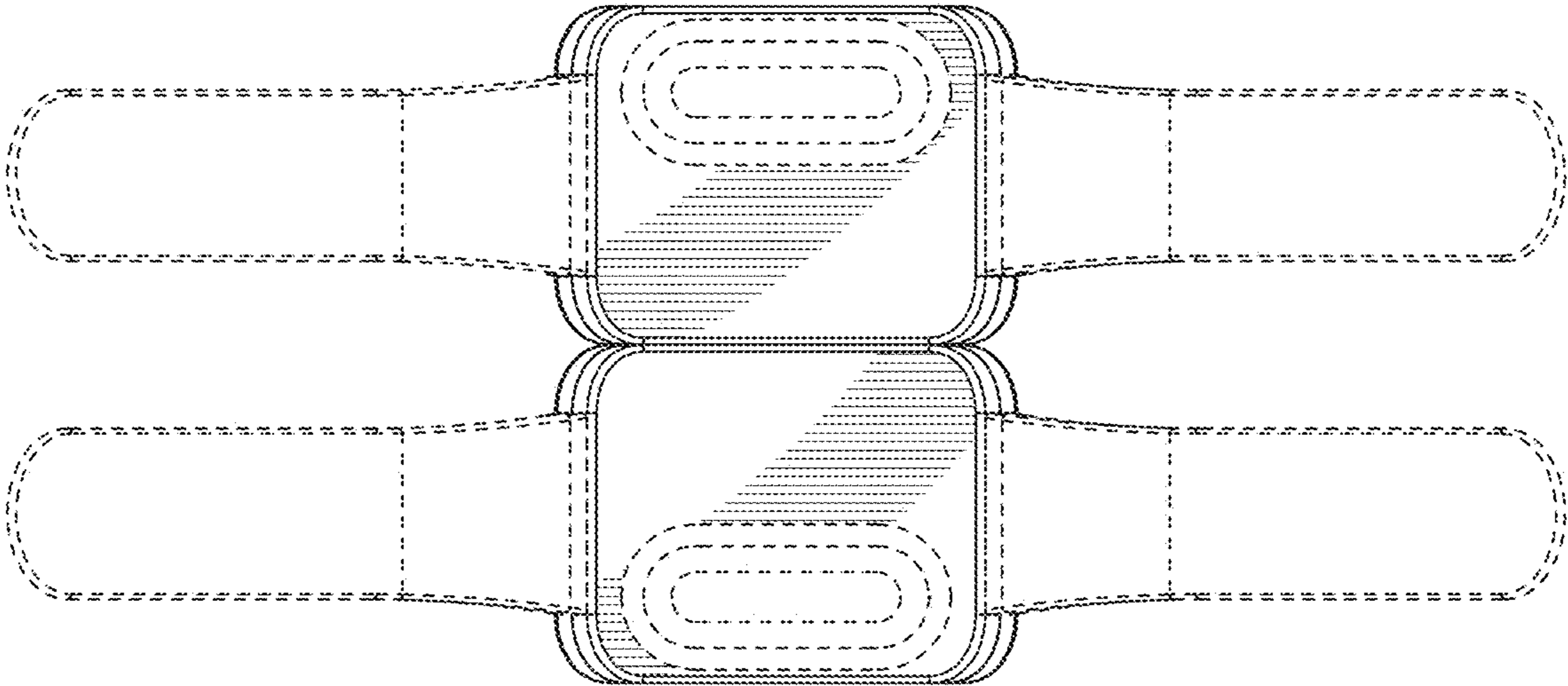


FIG. 11



FIG. 12

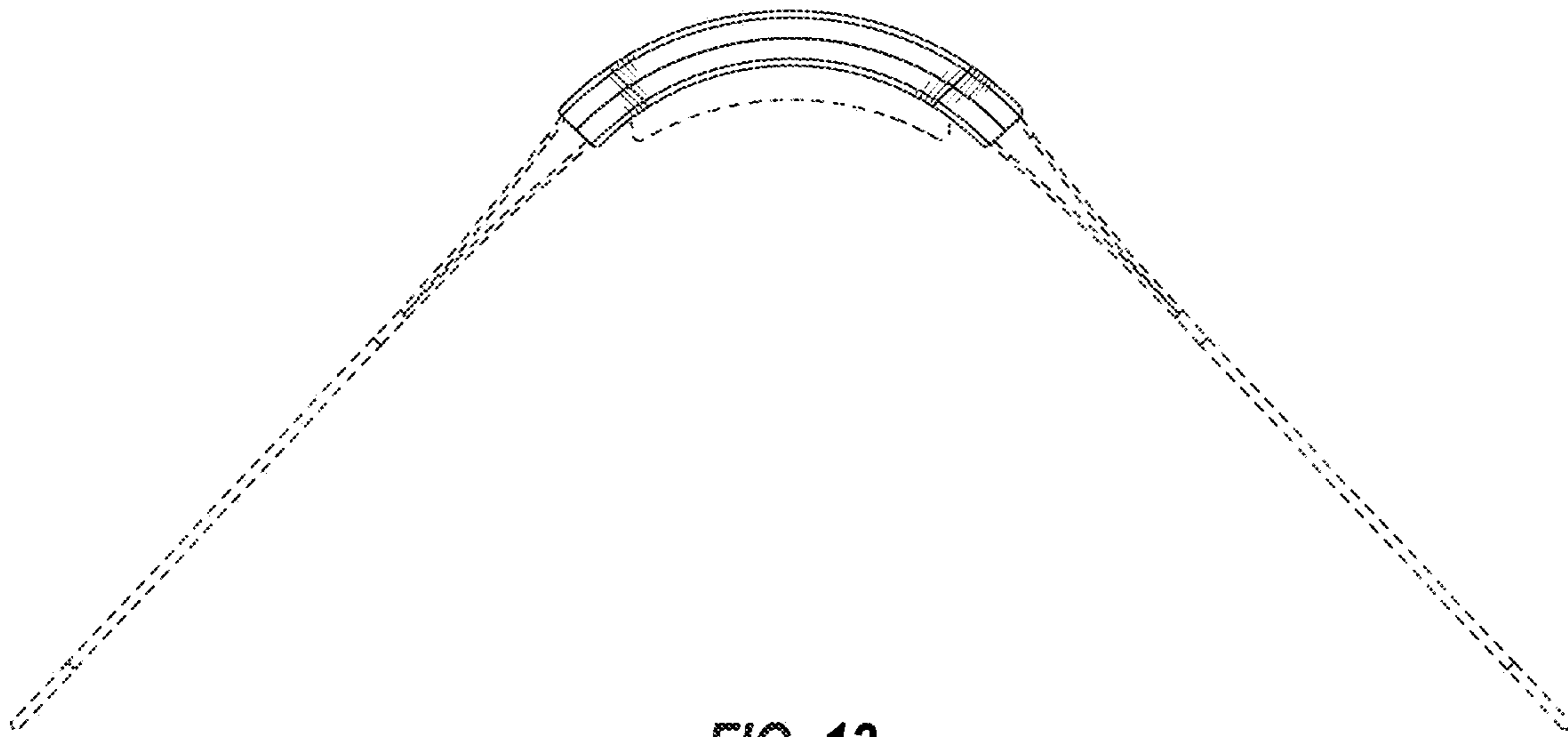


FIG. 13

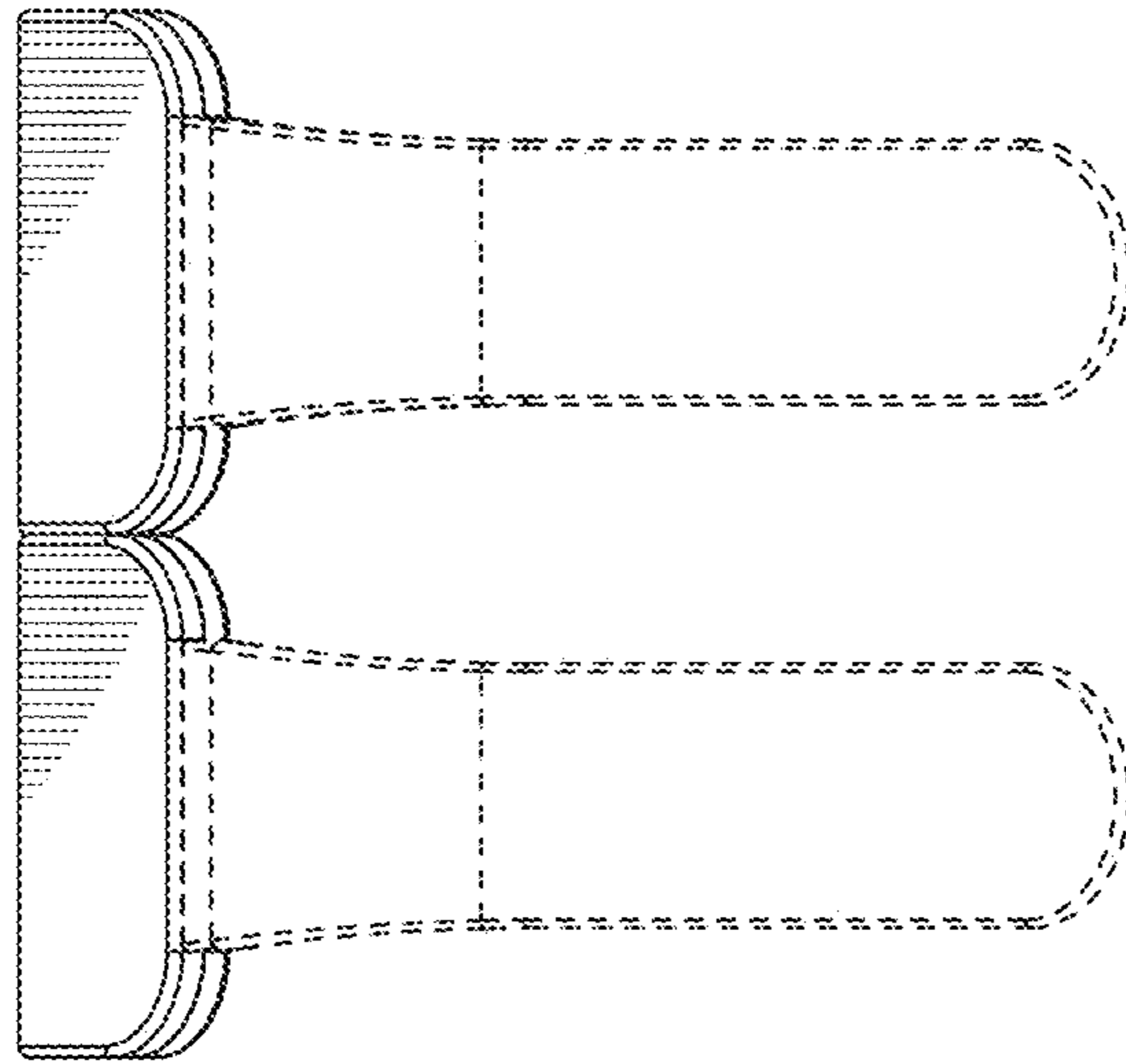


FIG. 14

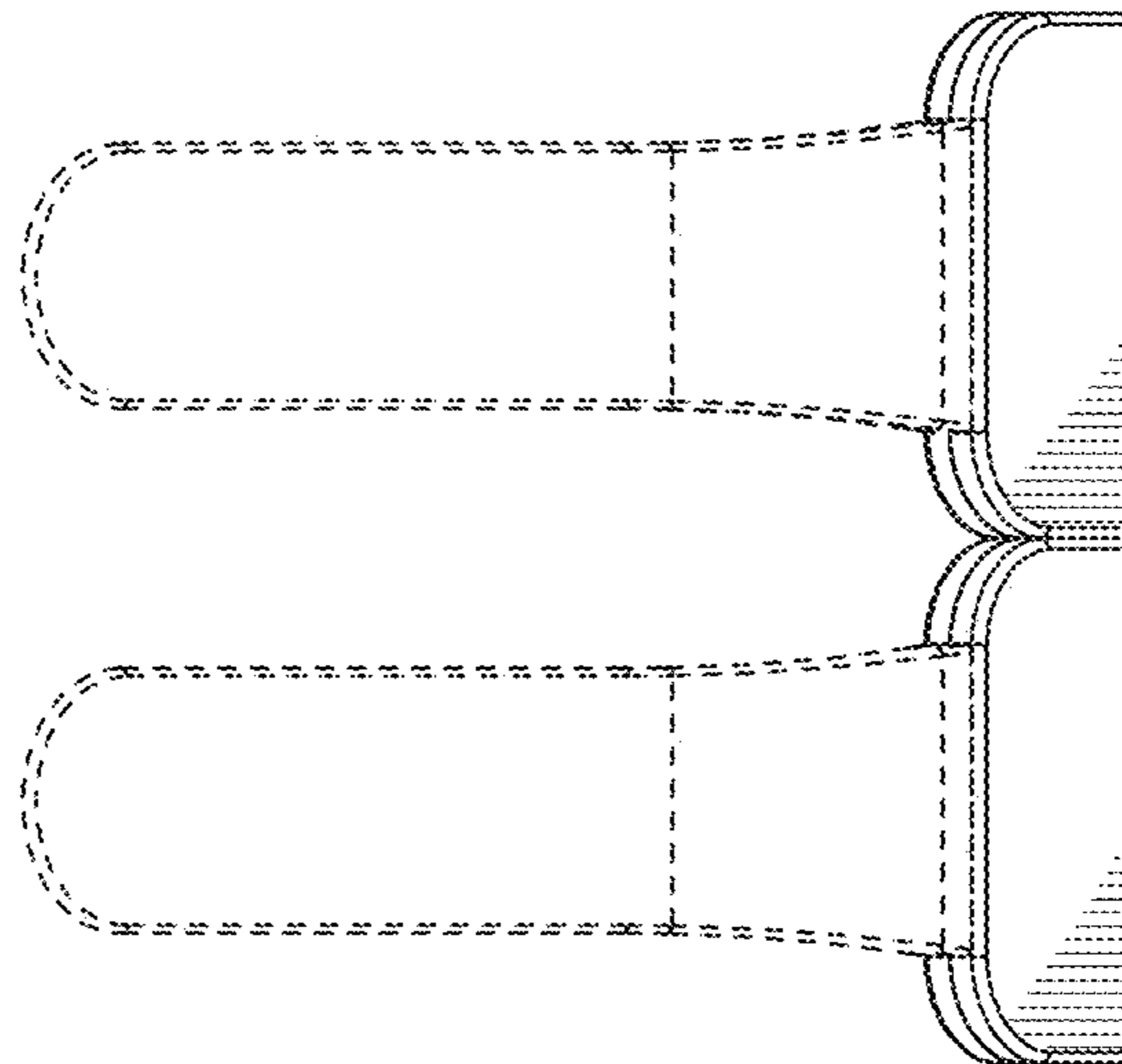


FIG. 15