



US00D936230S

(12) **United States Design Patent** (10) **Patent No.:** **US D936,230 S**
Prout et al. (45) **Date of Patent:** **** Nov. 16, 2021**

(54) **MEDICAL TREATMENT CART**
(71) Applicant: **Ulthera, Inc.**, Mesa, AZ (US)
(72) Inventors: **Brian Lee Prout**, Gilbert, AZ (US);
Ricardo M. Barba, Chandler, AZ (US);
Rahul R. Rao, Phoenix, AZ (US);
Luke David Springer, Seattle, WA
(US); **Kevin A. Clarridge**, Seattle, WA
(US); **Ellen S. Posch**, Cleveland
Heights, OH (US); **Sydney T. Minnis**,
Seattle, WA (US); **Alexander Michael
Diener**, San Diego, CA (US)
(73) Assignee: **Ulthera, Inc.**, Mesa, AZ (US)
(**) Term: **15 Years**
(21) Appl. No.: **29/678,535**
(22) Filed: **Jan. 29, 2019**
(51) **LOC (13) Cl.** **24-02**
(52) **U.S. Cl.**
USPC **D24/185**
(58) **Field of Classification Search**
USPC D24/185, 169, 186, 164, 158, 172, 160,
D24/167; D26/138; D34/20, 14;
D21/529; D13/163; D6/406.5
CPC A61G 12/001; A61G 13/06; A47B 79/00
See application file for complete search history.

D645,630 S * 9/2011 Steffens D34/14
D646,393 S * 10/2011 Juliana D24/186
D664,254 S * 7/2012 Yokoyama D24/158
8,286,977 B2 * 10/2012 Butler A61G 12/001
280/47.35
D692,563 S * 10/2013 Naef D24/172
D696,783 S * 12/2013 Chung D24/185
8,651,594 B2 * 2/2014 Jones A47B 79/00
312/286
D702,842 S * 4/2014 Hyde D24/185
D707,360 S * 6/2014 Kim D24/185
D712,540 S * 9/2014 Hansen D24/158
8,844,951 B2 * 9/2014 De Jong A61G 12/001
280/79.3
D730,011 S * 5/2015 McRorie D34/14
D735,342 S * 7/2015 Asad D24/185
D735,868 S * 8/2015 Mareguddi D24/185
D743,558 S * 11/2015 Kim D24/186
D760,390 S * 6/2016 Blomquist D24/164

(Continued)

Primary Examiner — Rhea Shields
(74) *Attorney, Agent, or Firm* — Knobbe Martens Olson
& Bear LLP

(57) **CLAIM**

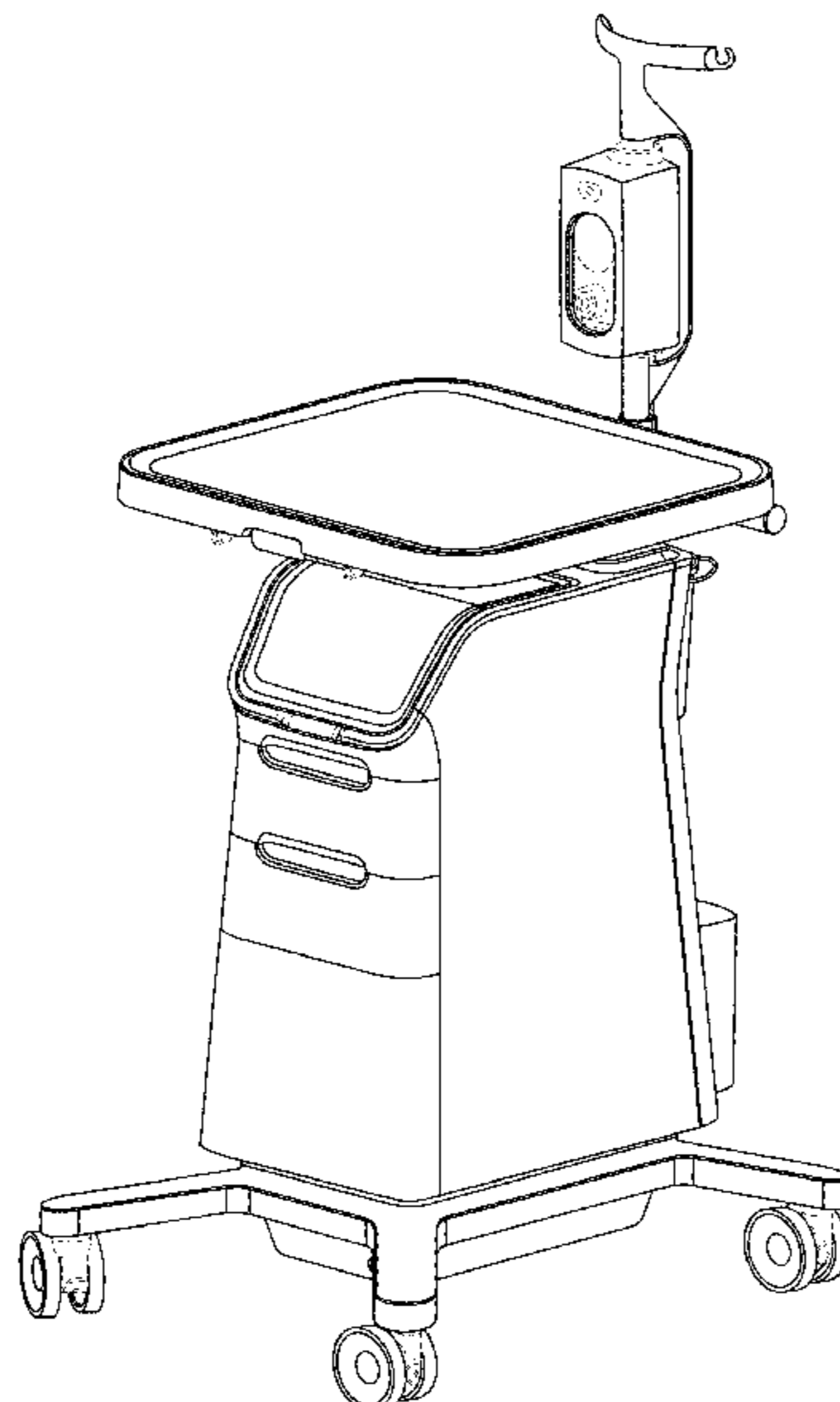
The ornamental design for a medical treatment cart, as shown and described.

DESCRIPTION

FIG. 1 is a left front top perspective view of a medical treatment cart, showing our new design.
FIG. 2 is a top plan view thereof.
FIG. 3 is a bottom plan view thereof.
FIG. 4 is a right side view thereof.
FIG. 5 is a left side view thereof.
FIG. 6 is a front view thereof; and,
FIG. 7 is a rear view thereof.
In the drawings, the broken lines illustrate features of the medical treatment cart that forms no part of the claimed design.

1 Claim, 7 Drawing Sheets

(56) **References Cited**
U.S. PATENT DOCUMENTS
D395,085 S * 6/1998 Kenley D24/169
D411,678 S * 6/1999 Di Paolo D34/20
D486,915 S * 2/2004 Warschewske D24/185
D517,768 S * 3/2006 Arceta D24/185
D559,922 S * 1/2008 Kim D21/529
D568,258 S * 5/2008 Adam D13/163
D603,048 S * 10/2009 Fleck D24/185
D608,496 S * 1/2010 Hodgson D26/138



(56)

References Cited

U.S. PATENT DOCUMENTS

D764,669	S	*	8/2016	Birath	D24/164
D769,448	S	*	10/2016	Adams	D24/160
D774,322	S	*	12/2016	Schmauch	D6/406.5
D776,279	S	*	1/2017	Newman	D24/164
D777,927	S	*	1/2017	Choudhary	D24/167
9,622,827	B2	*	4/2017	Yu	A61G 13/06
D787,063	S	*	5/2017	Kim	D24/158
D787,065	S	*	5/2017	Yanase	D24/160
D796,679	S	*	9/2017	Dekock	D24/158
D804,671	S	*	12/2017	Yanase	D24/160
D807,510	S	*	1/2018	Newman	D24/164
D808,533	S	*	1/2018	Verguldi	D24/185
D810,305	S	*	2/2018	Zhang	D24/185
D816,232	S	*	4/2018	Asad	D24/186
D827,139	S	*	8/2018	Henderson	D24/160
D836,781	S	*	12/2018	Meurer	D24/185
D851,252	S	*	6/2019	Mrna	D24/164
D861,167	S	*	9/2019	Emery	D24/158
D863,559	S	*	10/2019	Brooks	D24/185
D870,895	S	*	12/2019	Asad	D24/186
D872,284	S	*	1/2020	Koppel	D24/185
D876,632	S	*	2/2020	Henderson	D24/158
D877,342	S	*	3/2020	Canady	D24/185
D877,343	S	*	3/2020	Canady	D24/185
D879,967	S	*	3/2020	Verguldi	D24/185
D884,191	S	*	5/2020	Koppel	D24/185
D903,876	S	*	12/2020	Emery	D24/185

* cited by examiner



FIG. 1

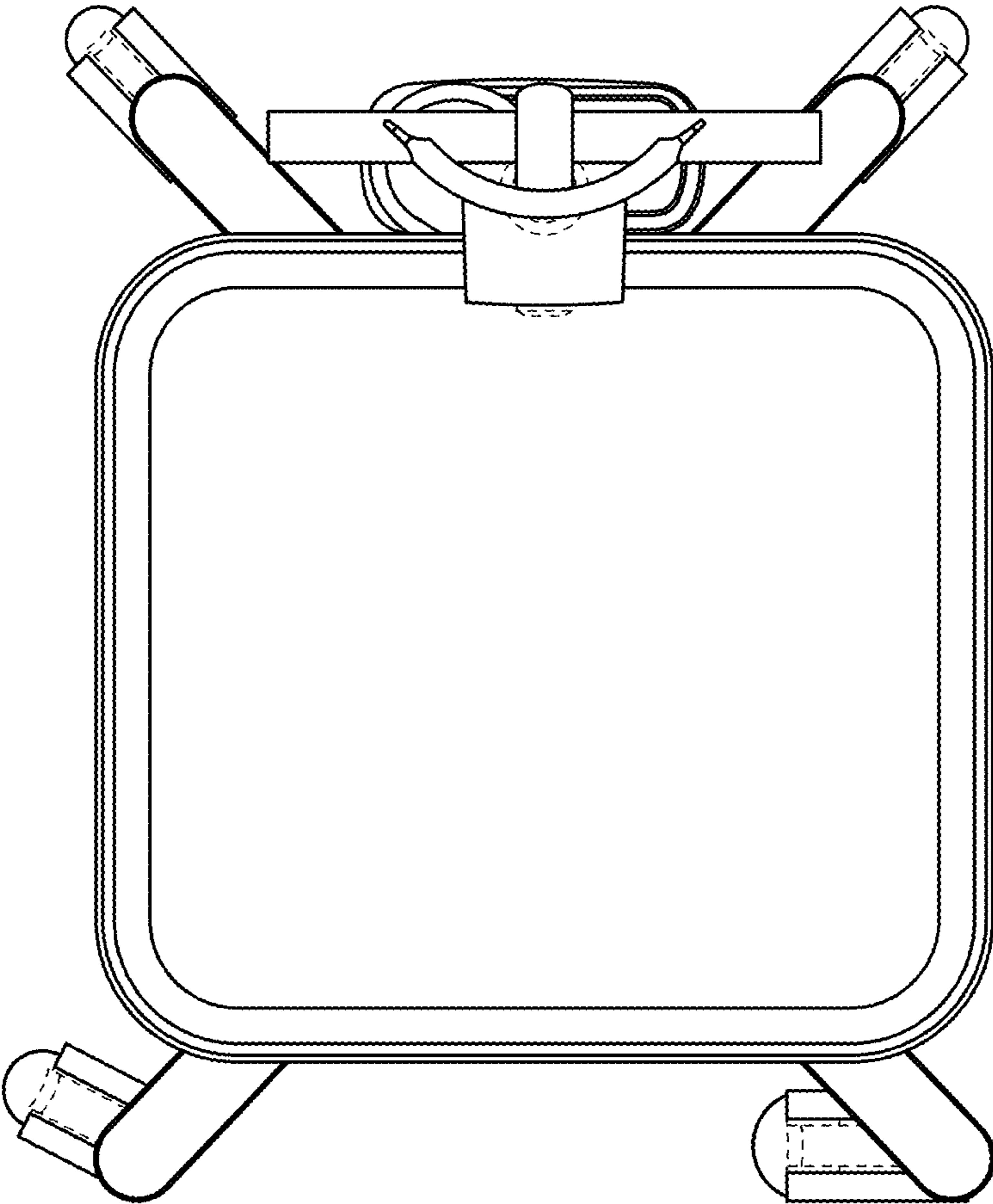


FIG. 2

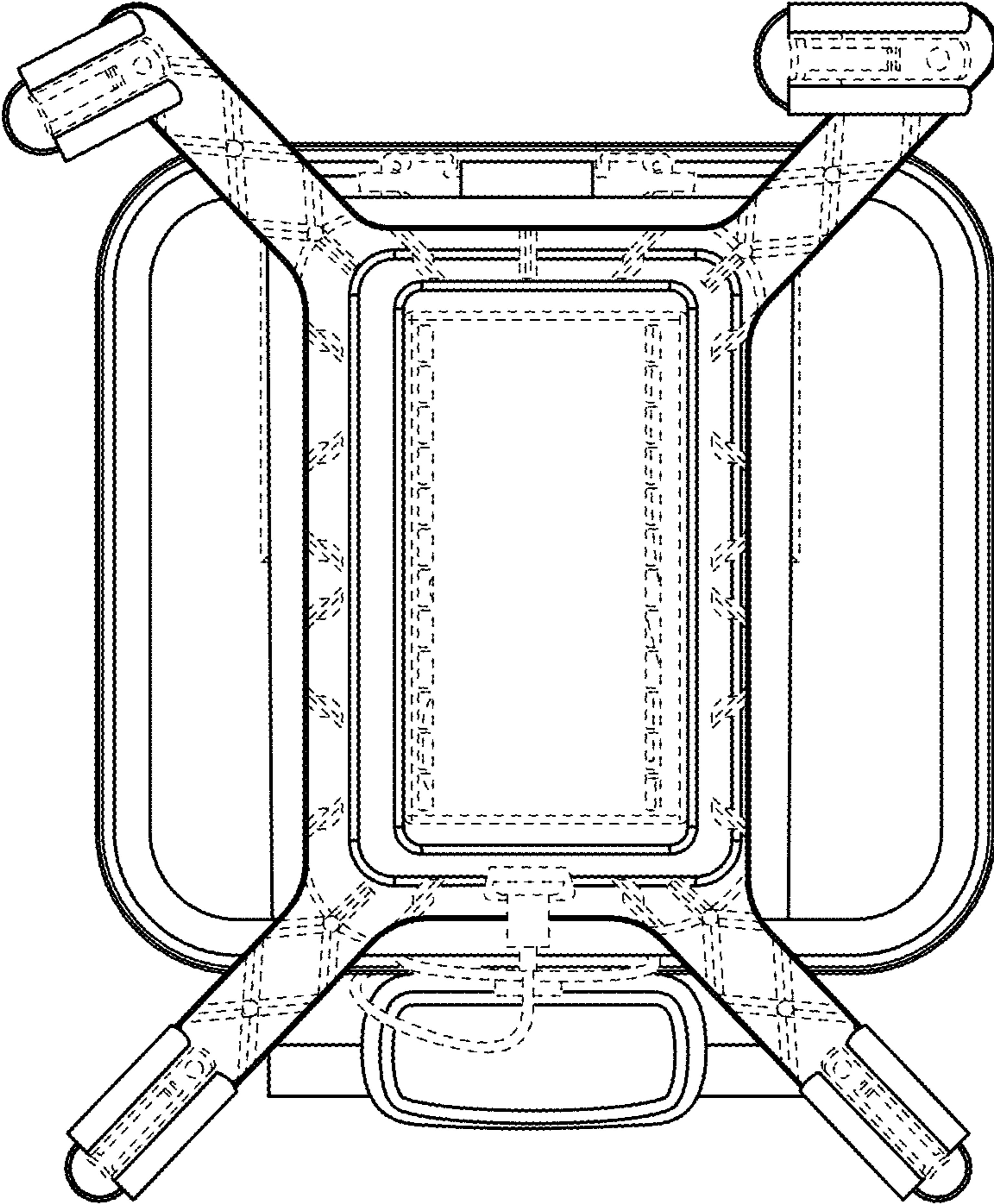


FIG. 3

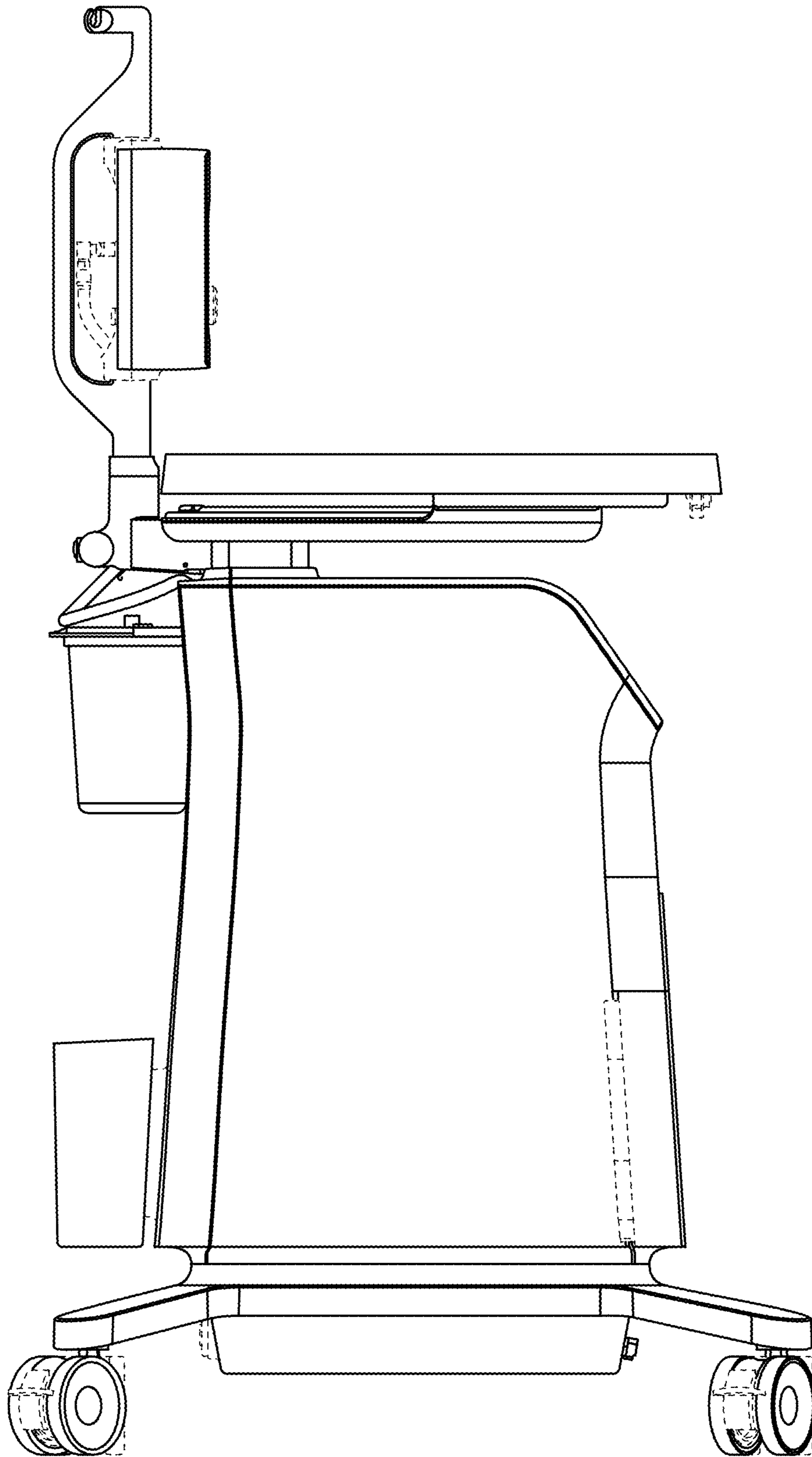


FIG. 4

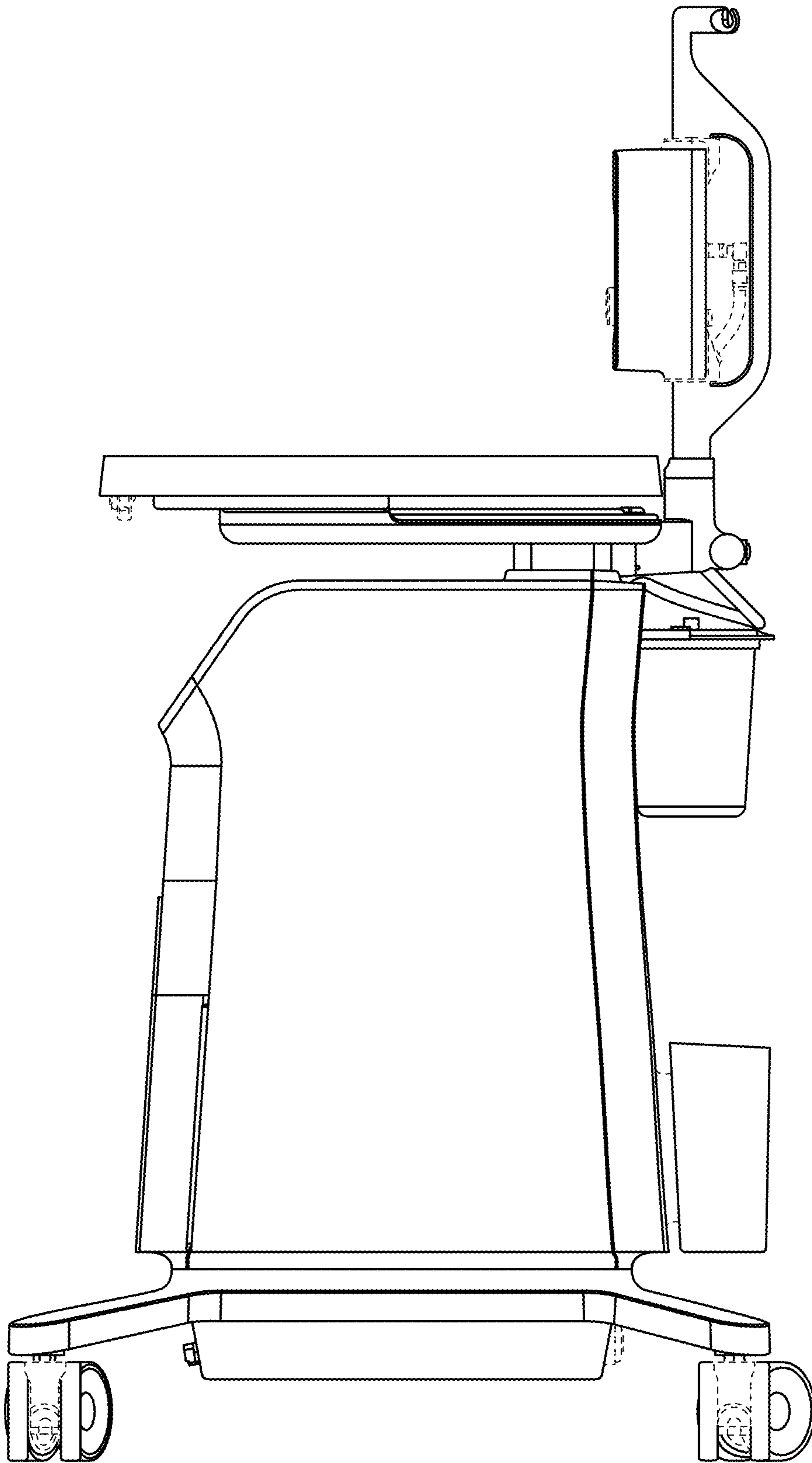


FIG. 5

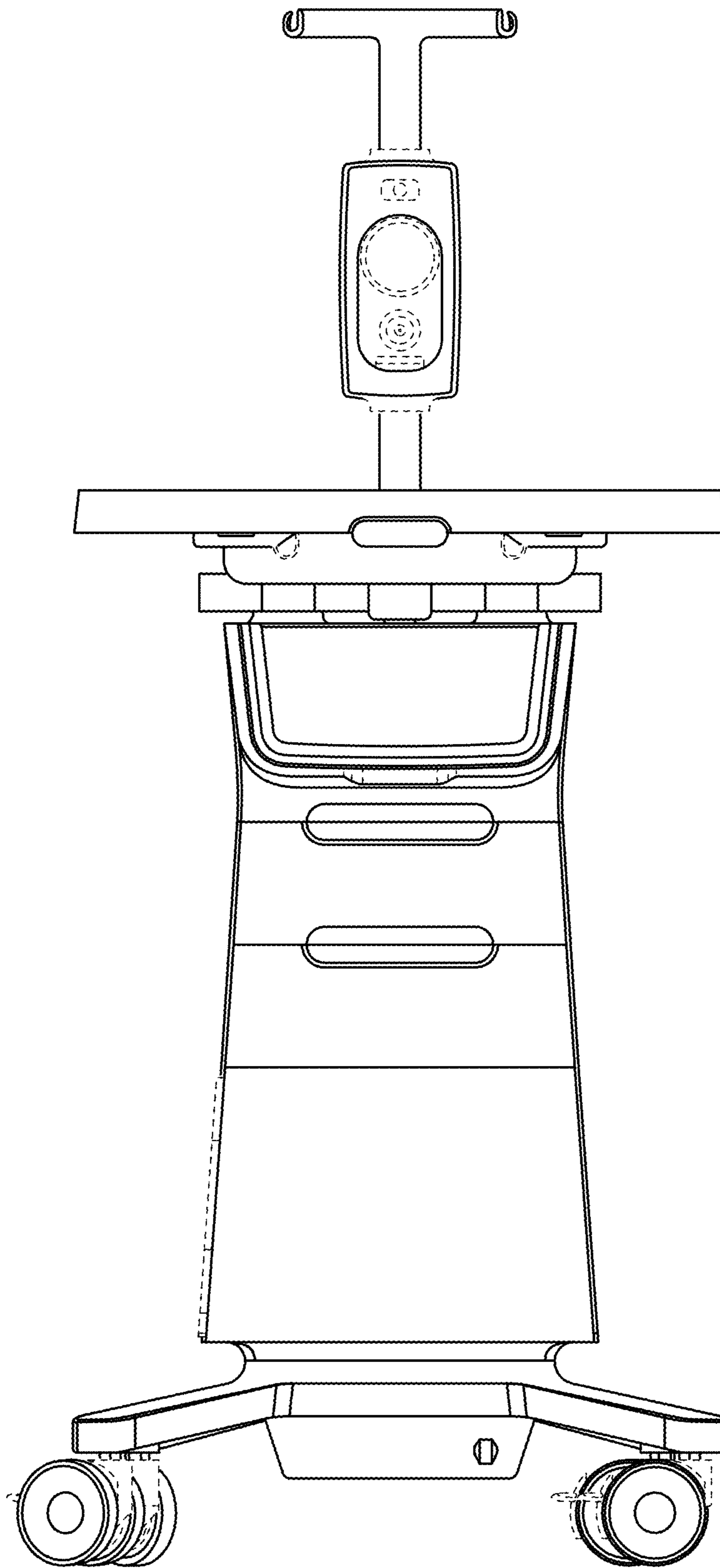


FIG. 6

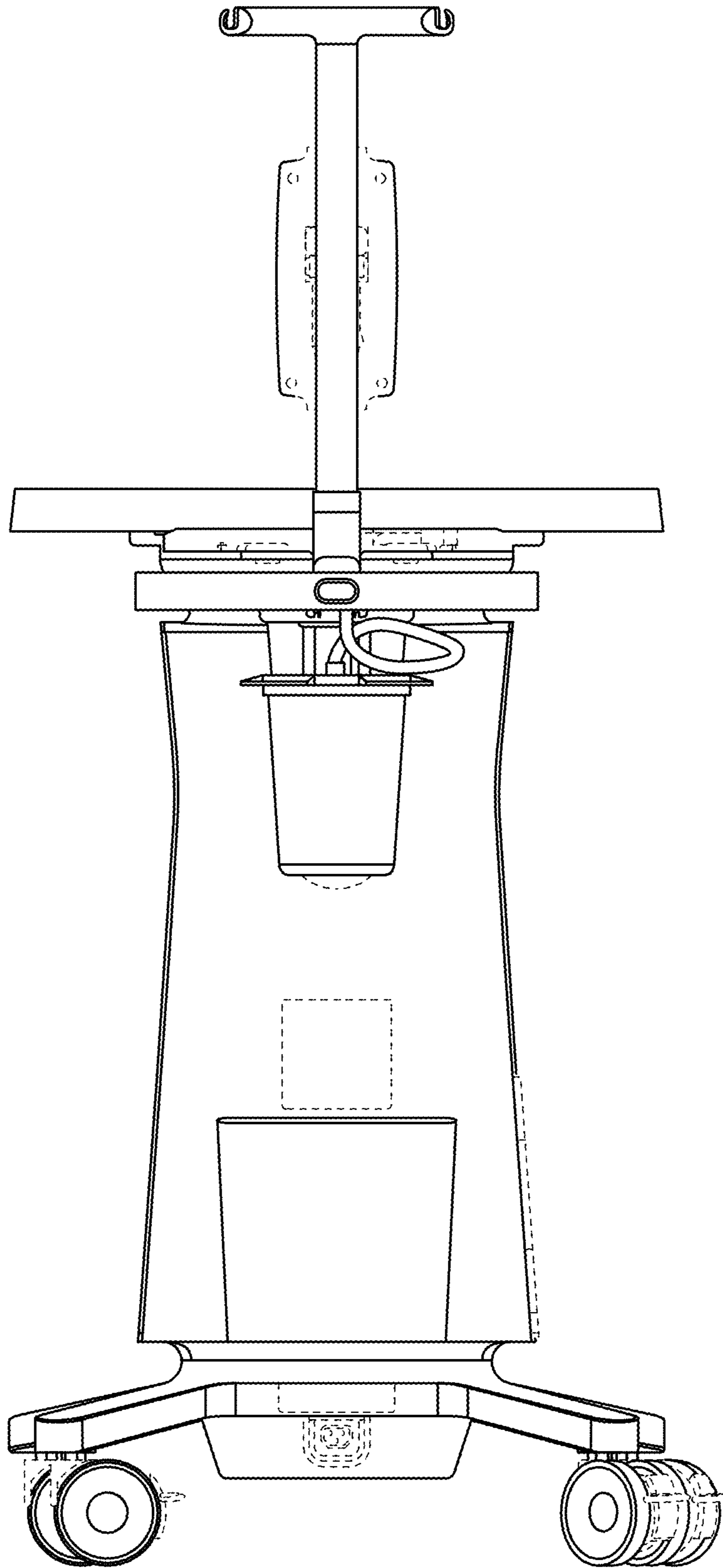


FIG. 7