



US00D936228S

(12) **United States Design Patent** (10) **Patent No.:** **US D936,228 S**
Kurthy (45) **Date of Patent:** **** Nov. 16, 2021**

(54) **UPPER DENTAL IMPRESSION TRAY**

(71) Applicant: **Rodger Kurthy**, Coto de Caza, CA (US)

(72) Inventor: **Rodger Kurthy**, Coto de Caza, CA (US)

(73) Assignee: **Evolve Dental Technologies, Inc.**

(**) Term: **15 Years**

(21) Appl. No.: **29/787,781**

(22) Filed: **Jun. 8, 2021**

Related U.S. Application Data

(63) Continuation-in-part of application No. 29/757,443, filed on Nov. 5, 2020.

(51) **LOC (13) Cl.** **24-02**

(52) **U.S. Cl.**
USPC **D24/181**

(58) **Field of Classification Search**
USPC D24/176, 180–181
CPC A61C 9/0006
See application file for complete search history.

(56) **References Cited**

U.S. PATENT DOCUMENTS

5,752,826	A *	5/1998	Andreiko	A61C 9/0006
					433/37
D706,937	S *	6/2014	Suga	D24/181
D708,340	S *	7/2014	Suga	D24/181
D759,824	S *	6/2016	Luco	D24/180
9,433,483	B2 *	9/2016	Suga	A61C 9/0006
9,498,310	B2 *	11/2016	Suga	A61C 9/0006
10,039,623	B2 *	8/2018	Michii	A61C 9/0006
D903,122	S *	11/2020	Yukita	D24/180
D927,696	S *	8/2021	Kurthy	D24/181

* cited by examiner

Primary Examiner — Wan Laymon

(74) *Attorney, Agent, or Firm* — Quickpatents, LLC; Kevin Prince

(57) **CLAIM**

The ornamental design for an upper dental impression tray, as shown and described.

DESCRIPTION

FIG. 1 is a rear top perspective view of an upper dental impression tray, showing a first embodiment of my new design;

FIG. 2 is a front top perspective view of FIG. 1;

FIG. 3 is a rear bottom perspective view of FIG. 1;

FIG. 4 is a front bottom perspective view of FIG. 1;

FIG. 5 is a rear elevational view of FIG. 1;

FIG. 6 is a front elevational view of FIG. 1;

FIG. 7 is a right-side elevational view of FIG. 1;

FIG. 8 is a left-side elevational view of FIG. 1;

FIG. 9 is a top plan view of FIG. 1;

FIG. 10 is a bottom plan view of FIG. 1;

FIG. 11 is a rear top perspective view of an upper dental impression tray, showing a second embodiment of my new design;

FIG. 12 is a front top perspective view of FIG. 11;

FIG. 13 is a rear bottom perspective view of FIG. 11;

FIG. 14 is a front bottom perspective view of FIG. 11;

FIG. 15 is a rear elevational view of FIG. 11;

FIG. 16 is a front elevational view of FIG. 11;

FIG. 17 is a right-side elevational view of FIG. 11;

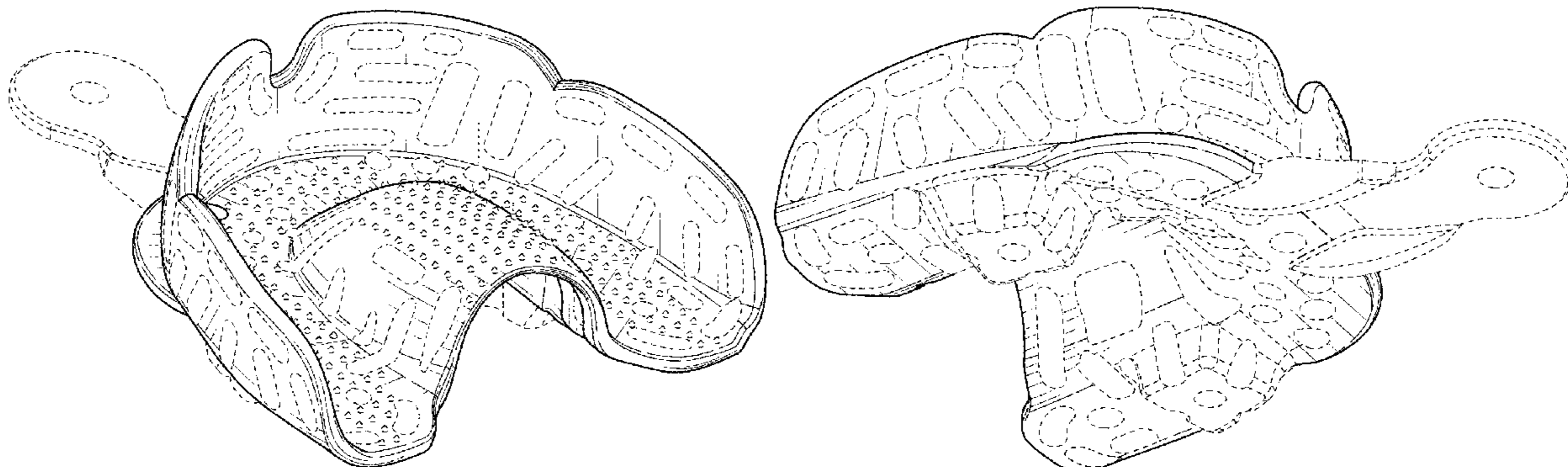
FIG. 18 is a left-side elevational view of FIG. 11;

FIG. 19 is a top plan view of FIG. 11; and,

FIG. 20 is a bottom plan view of FIG. 11.

The broken lines in the figures depict portions of the upper dental impression tray that form no part of the claimed design. The dot-dash broken line represents a boundary of the claimed design.

1 Claim, 10 Drawing Sheets



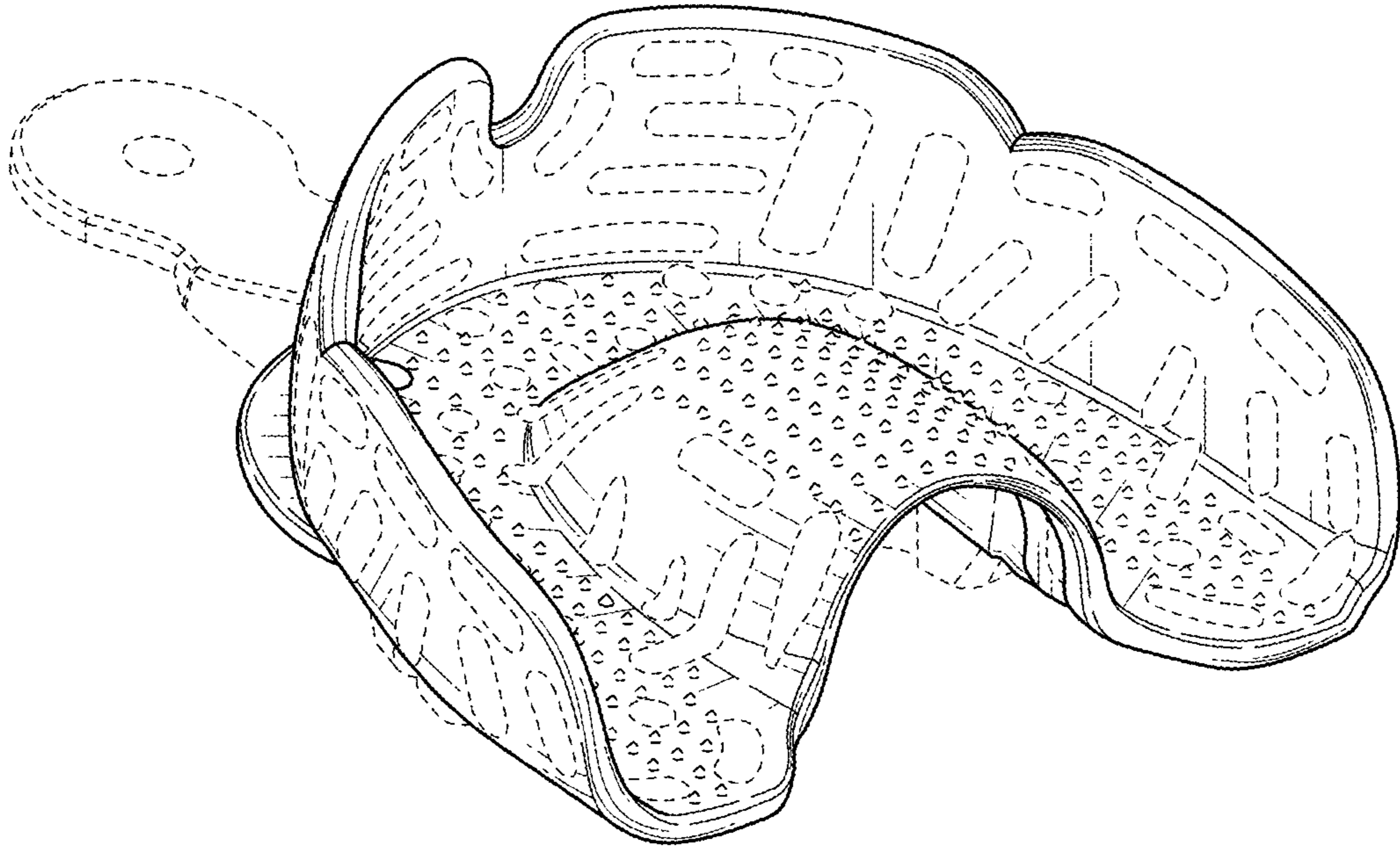


FIG. 1

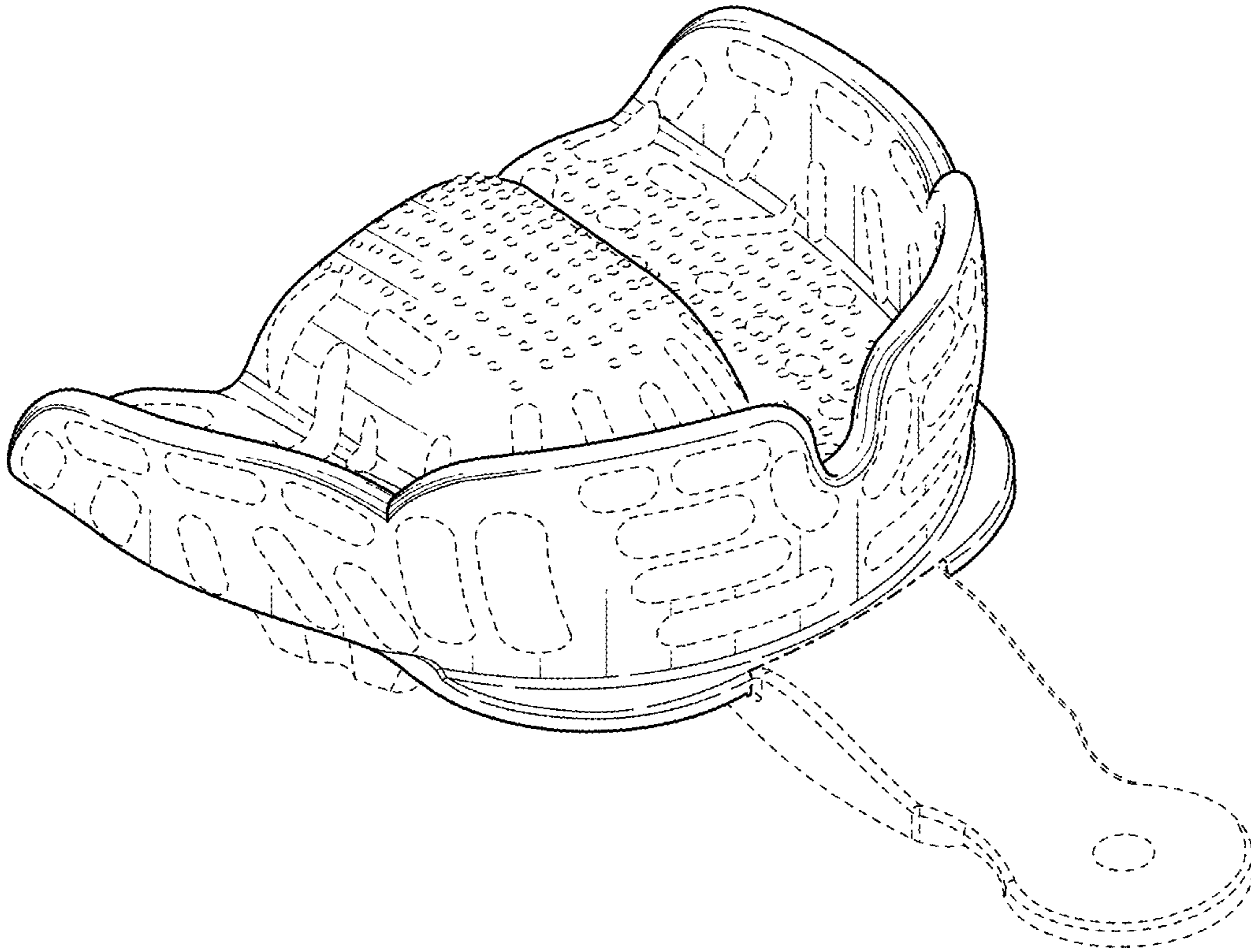


FIG. 2

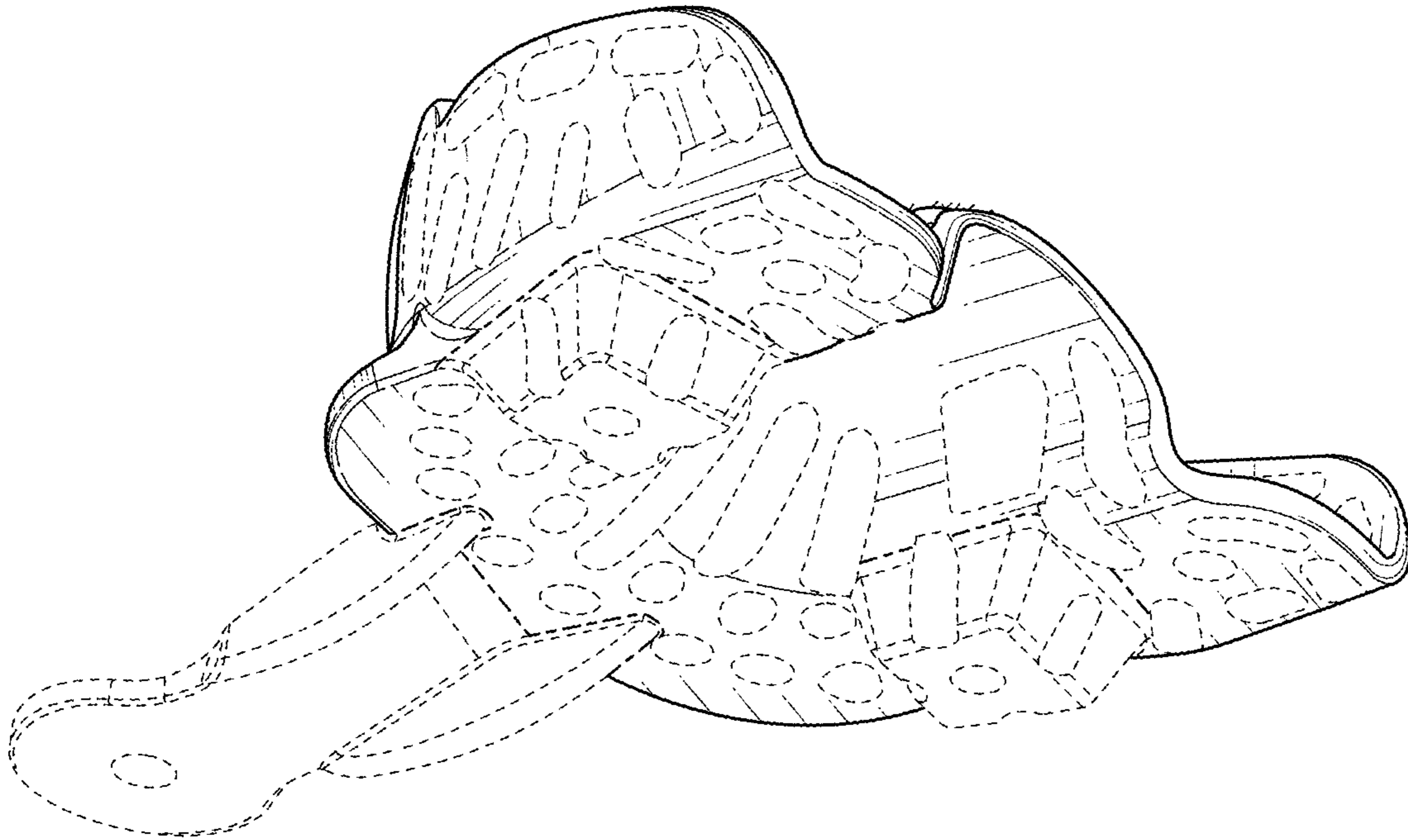


FIG. 3

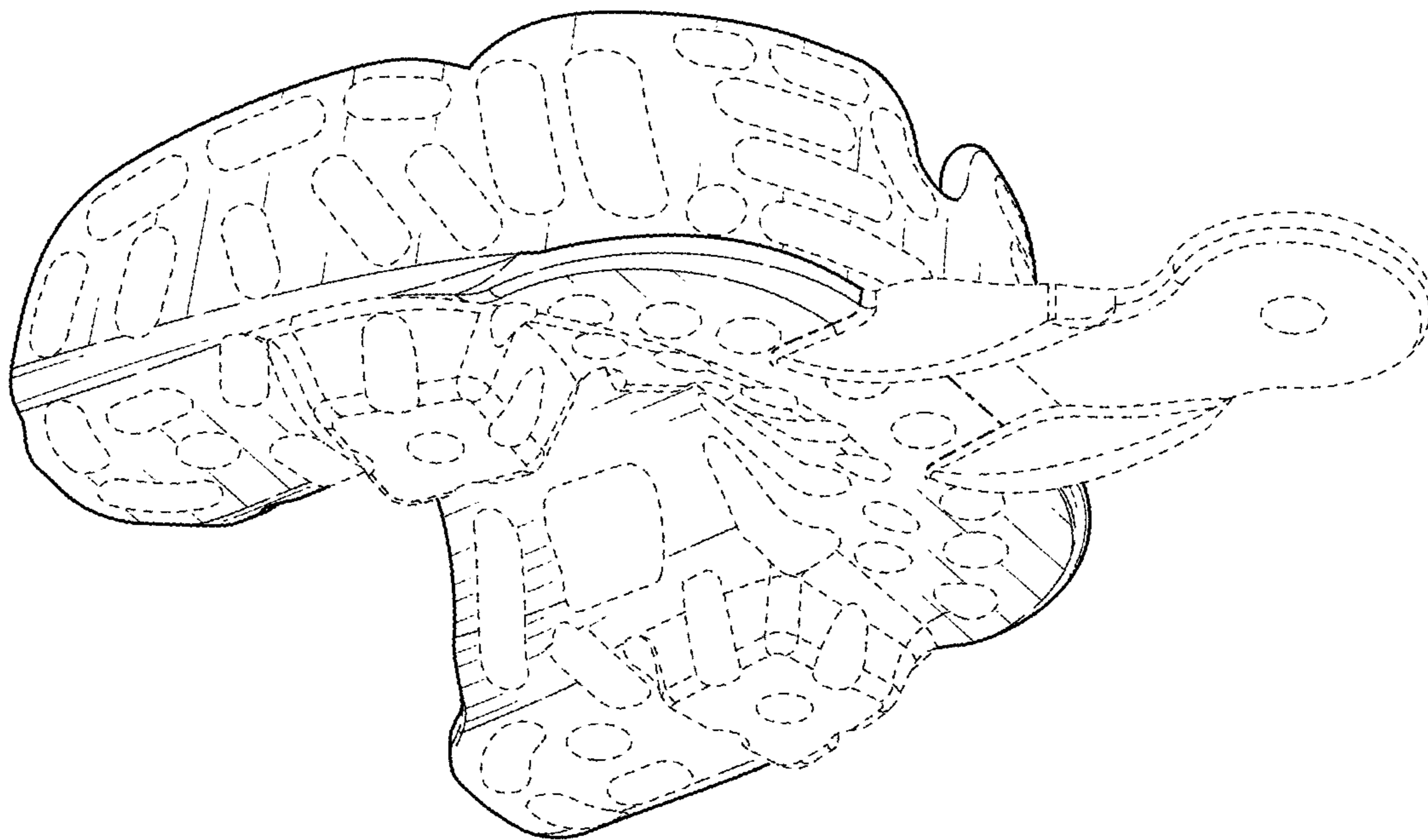


FIG. 4

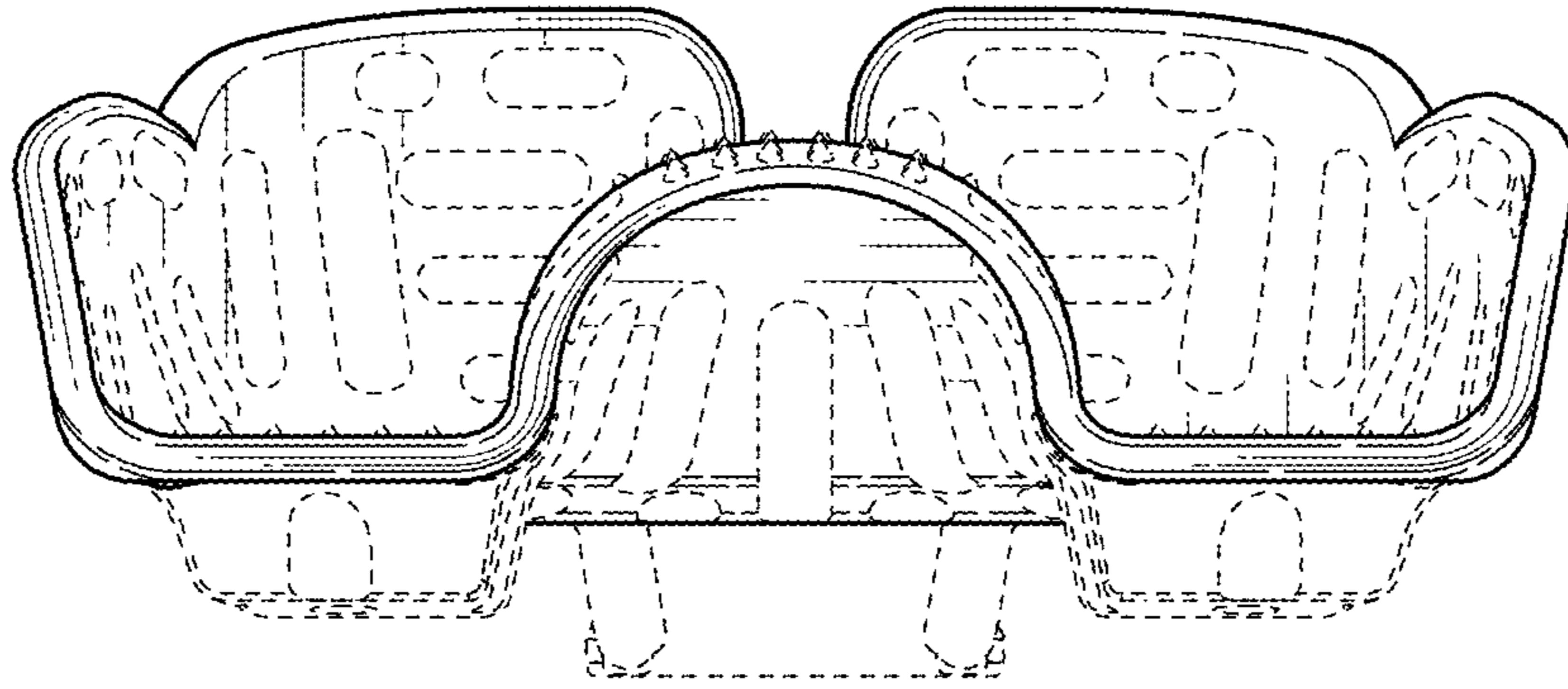


FIG. 5

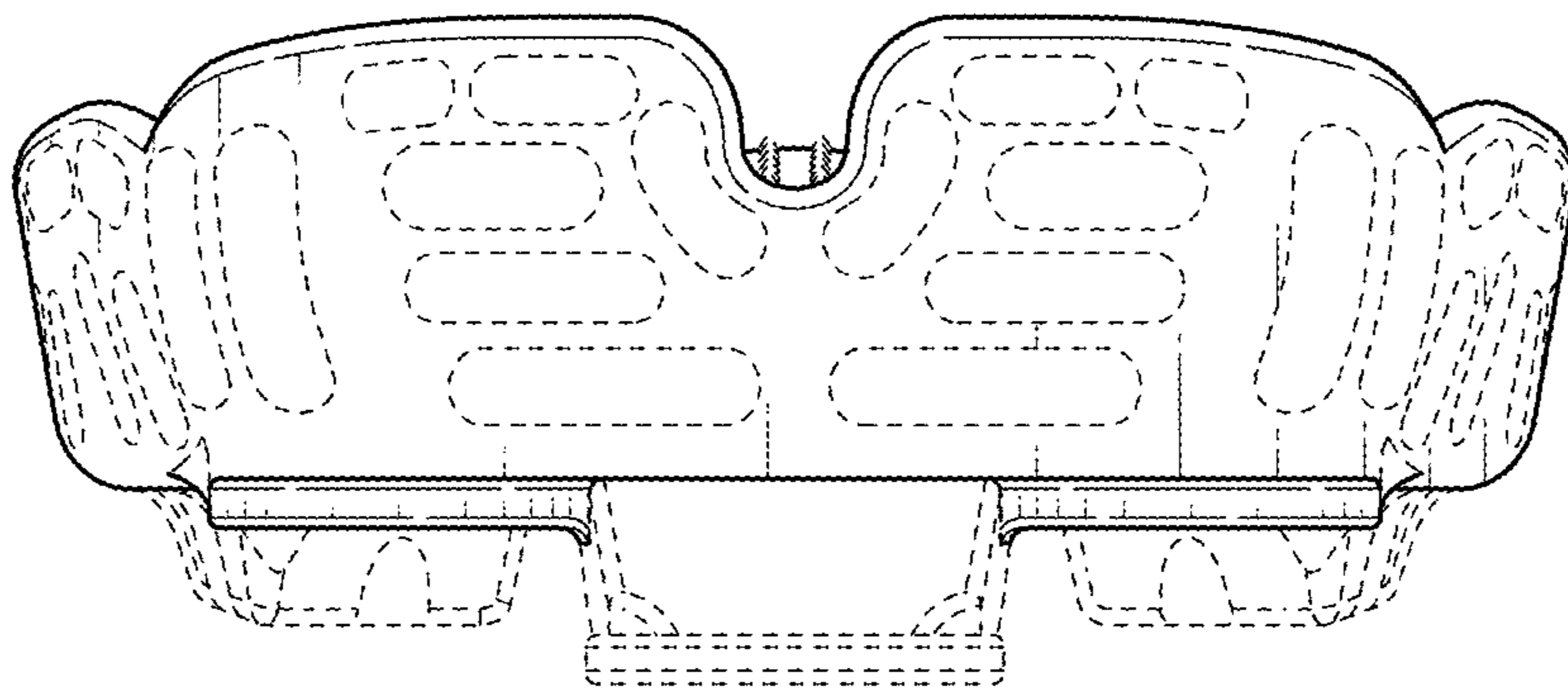


FIG. 6

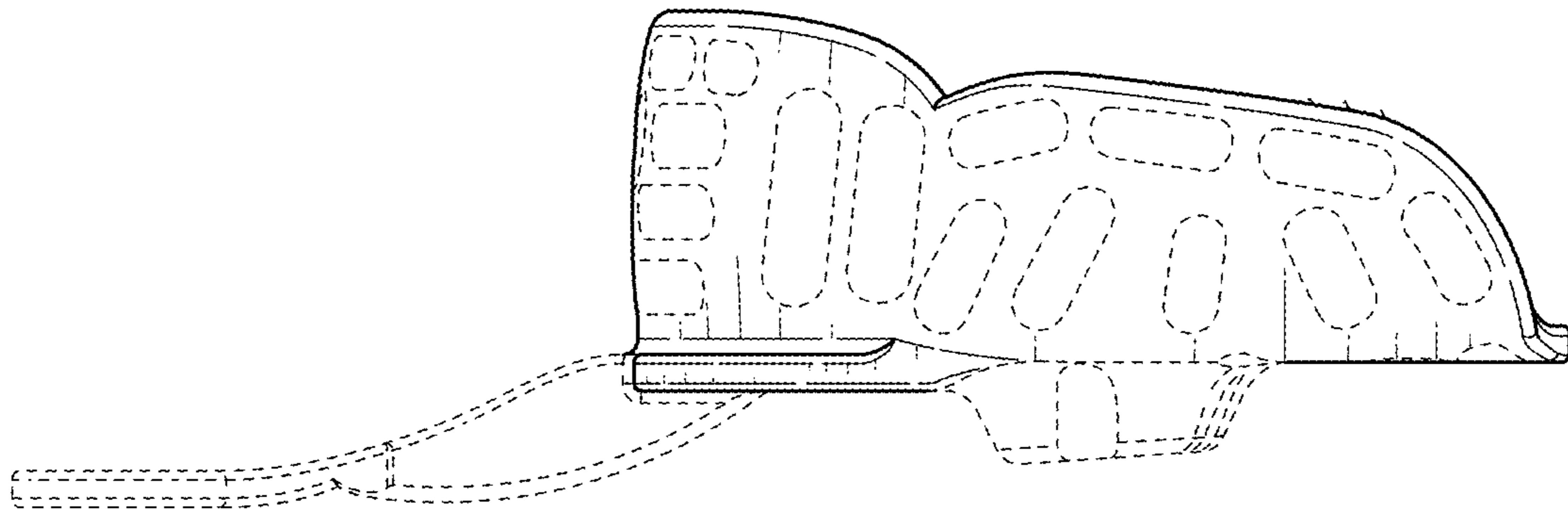


FIG. 7

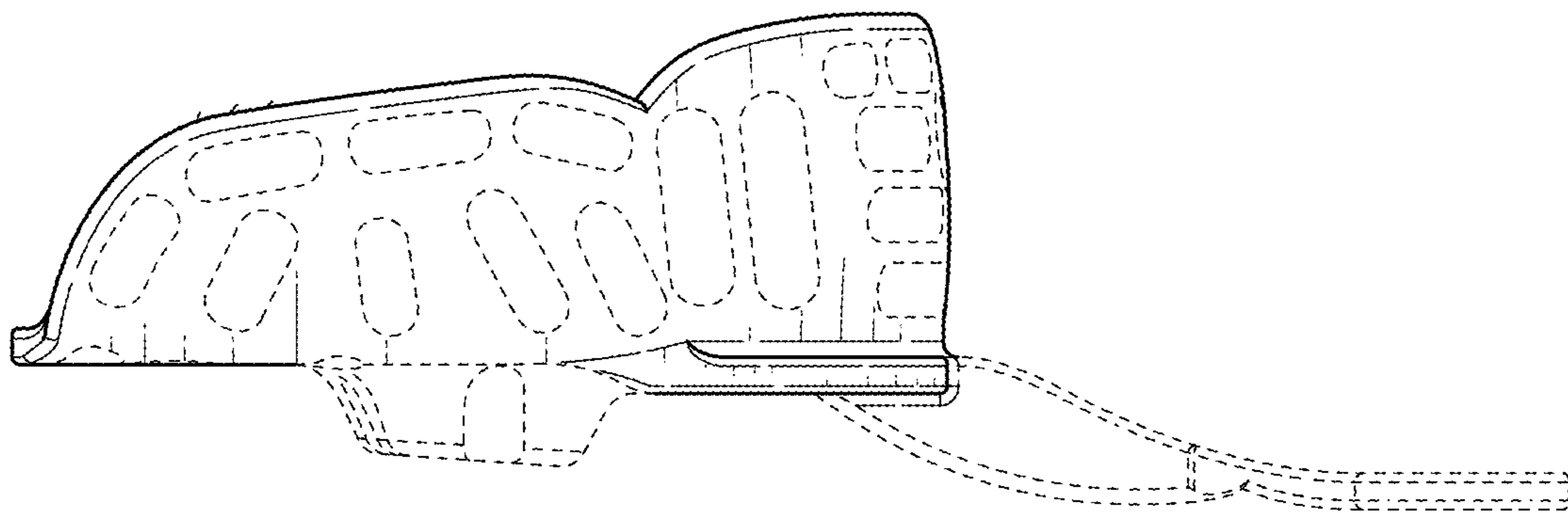


FIG. 8

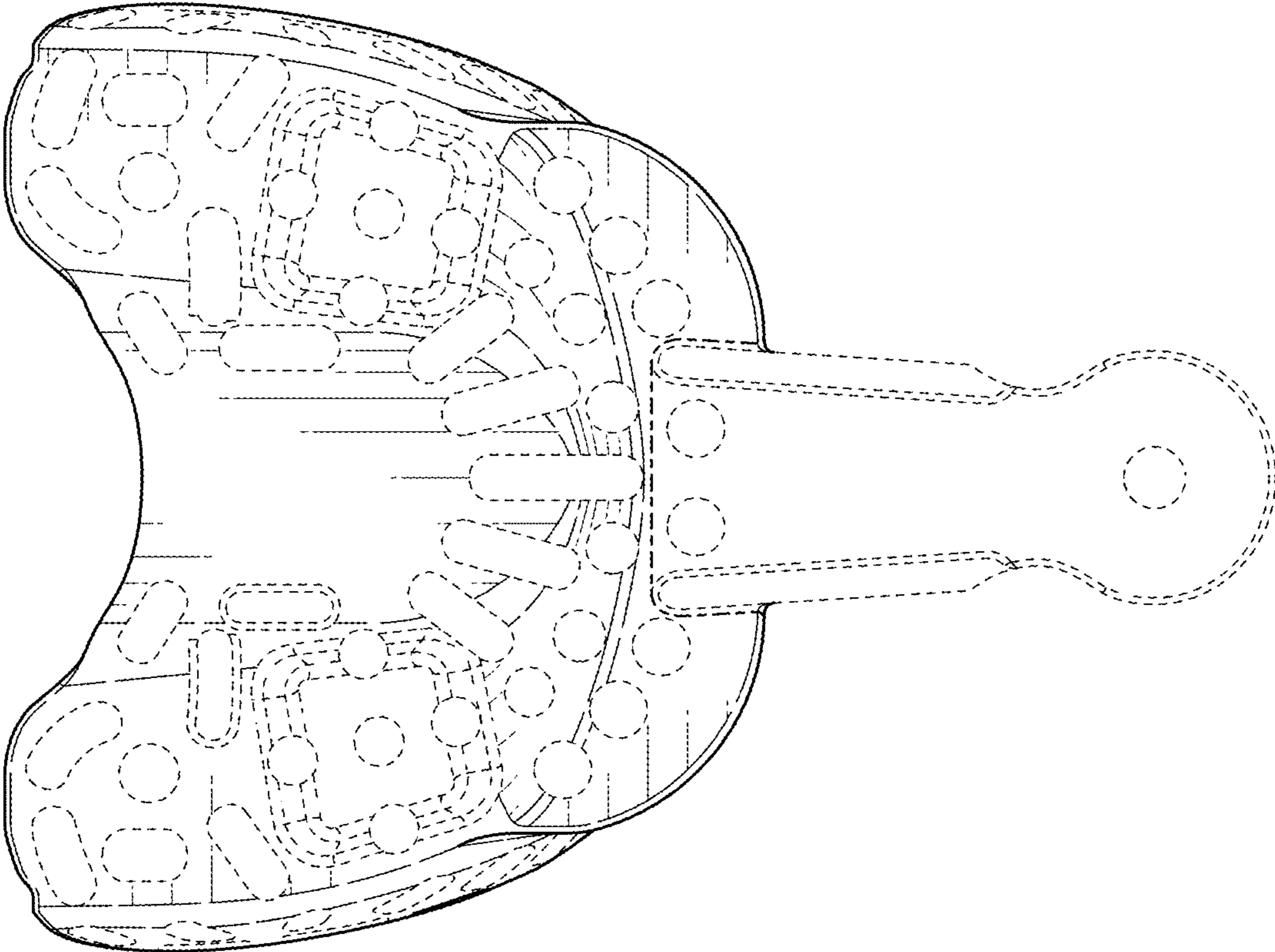


FIG. 10

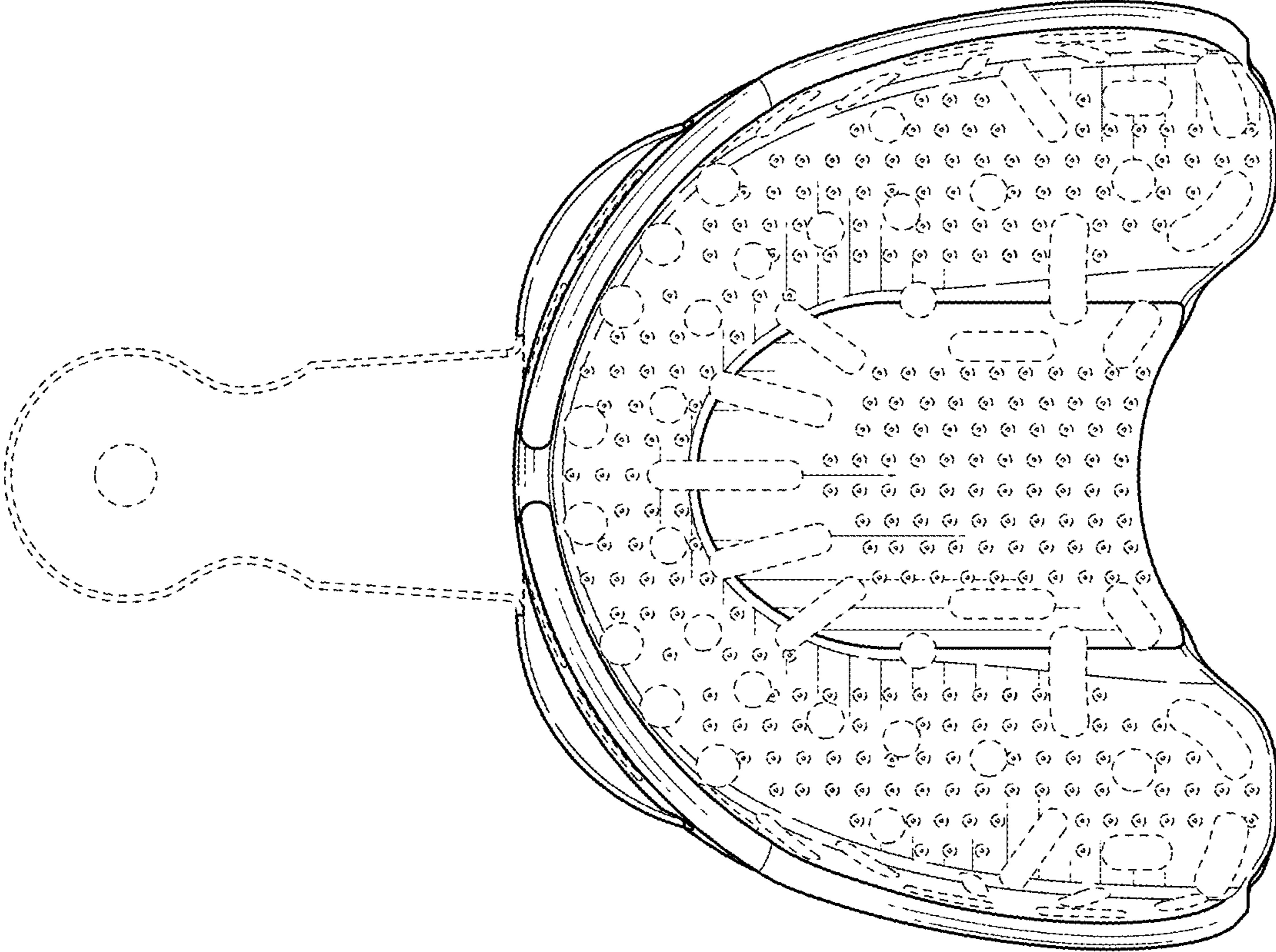


FIG. 9

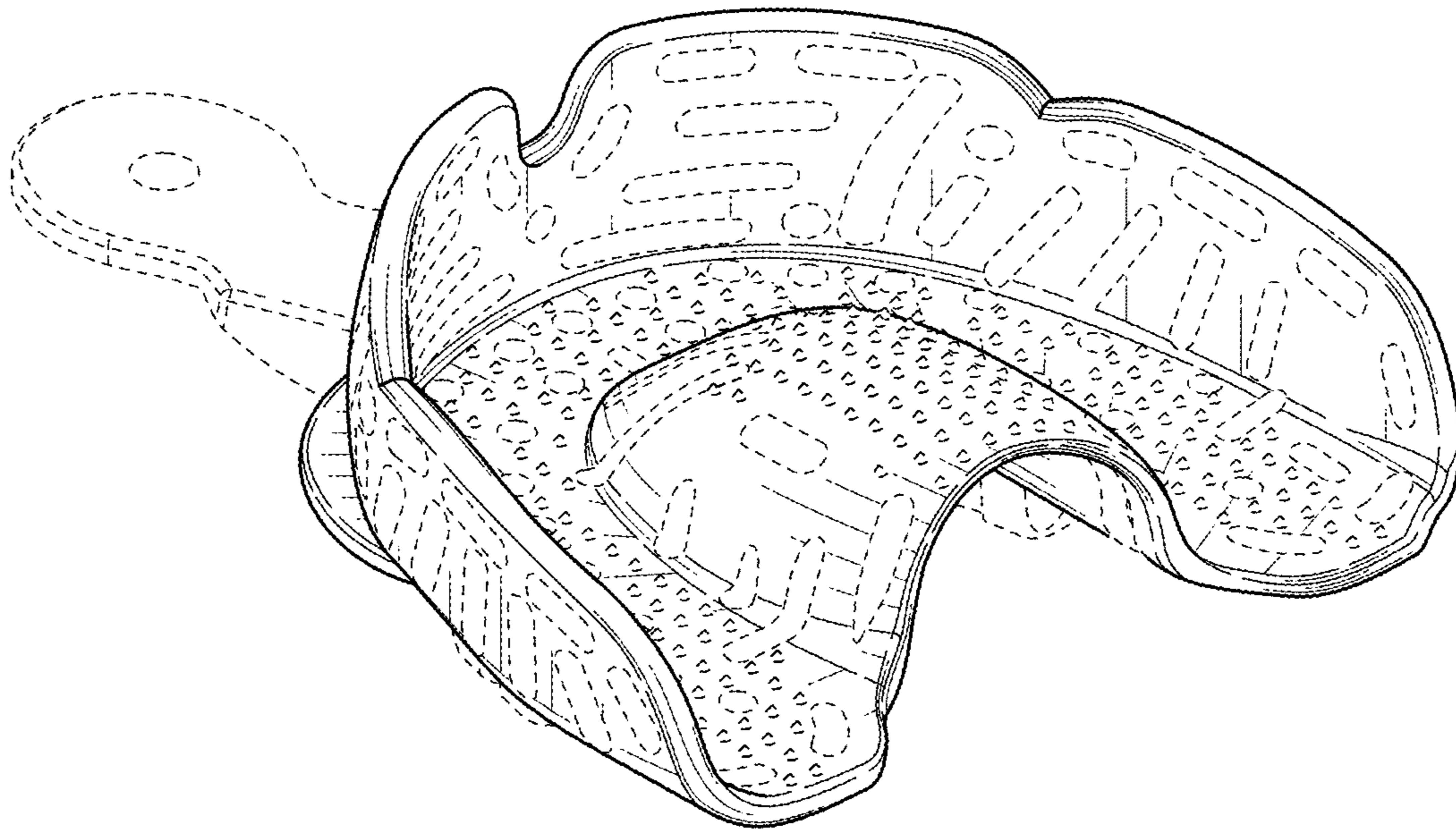


FIG. 11

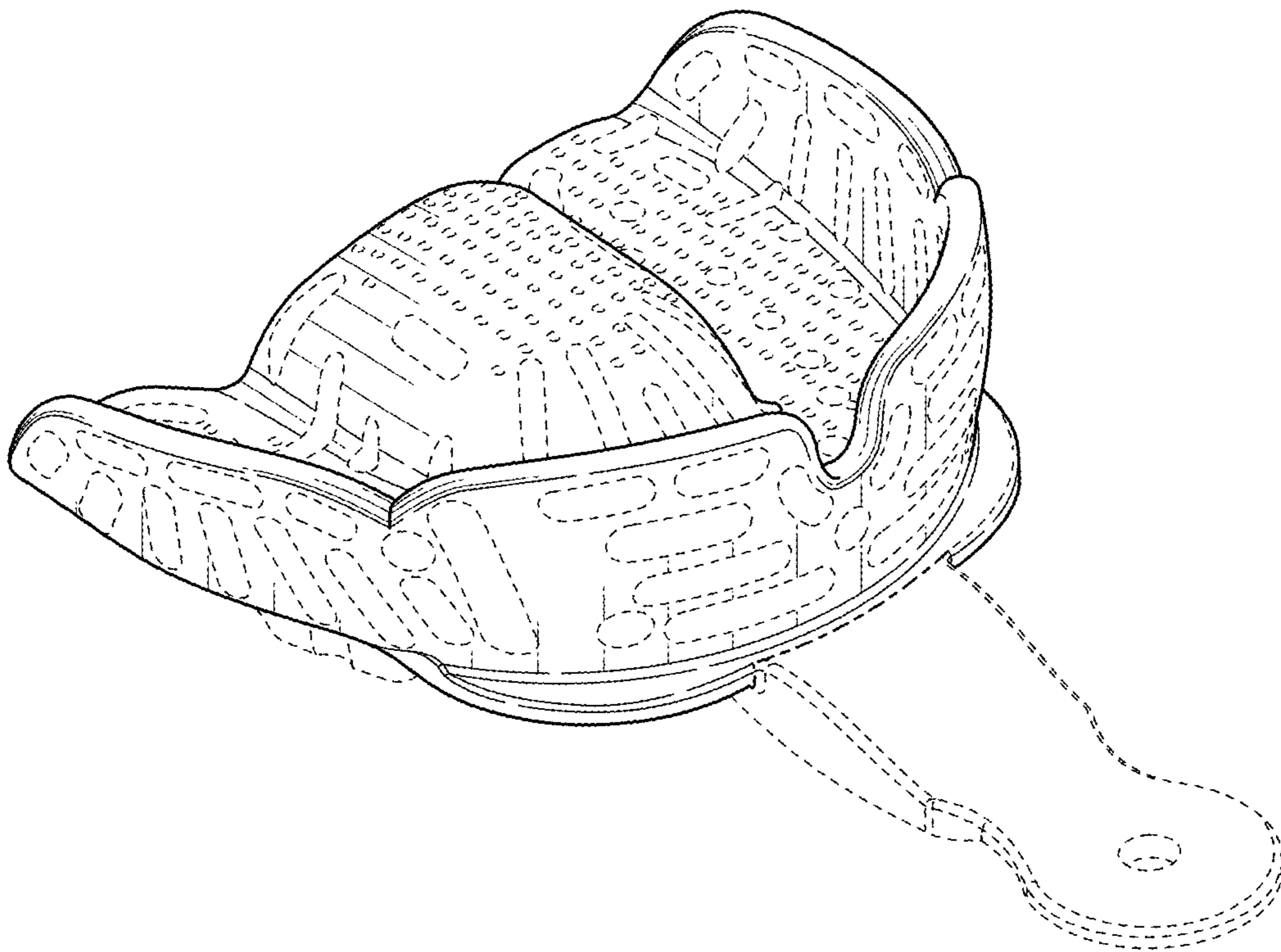


FIG. 12

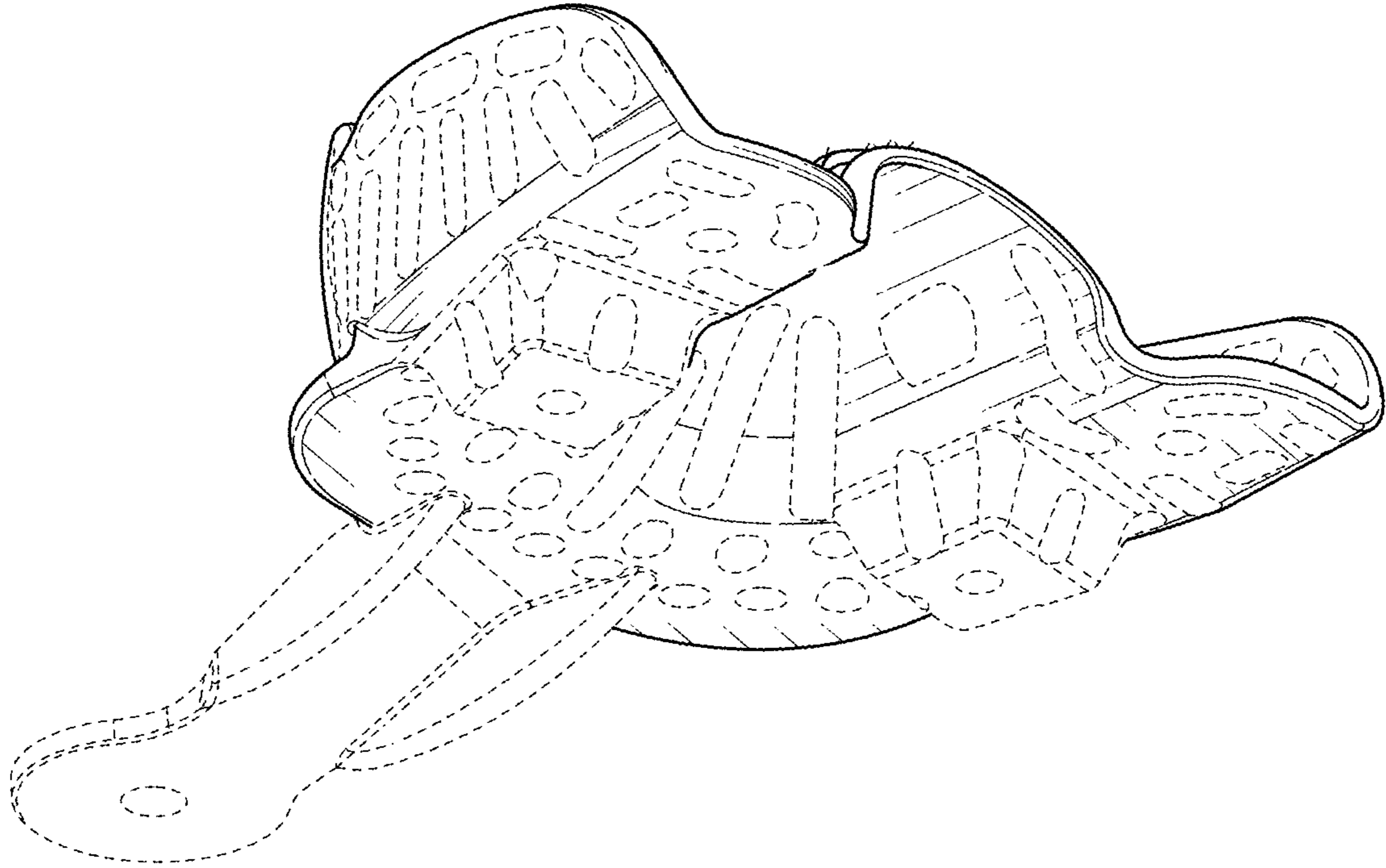


FIG. 13

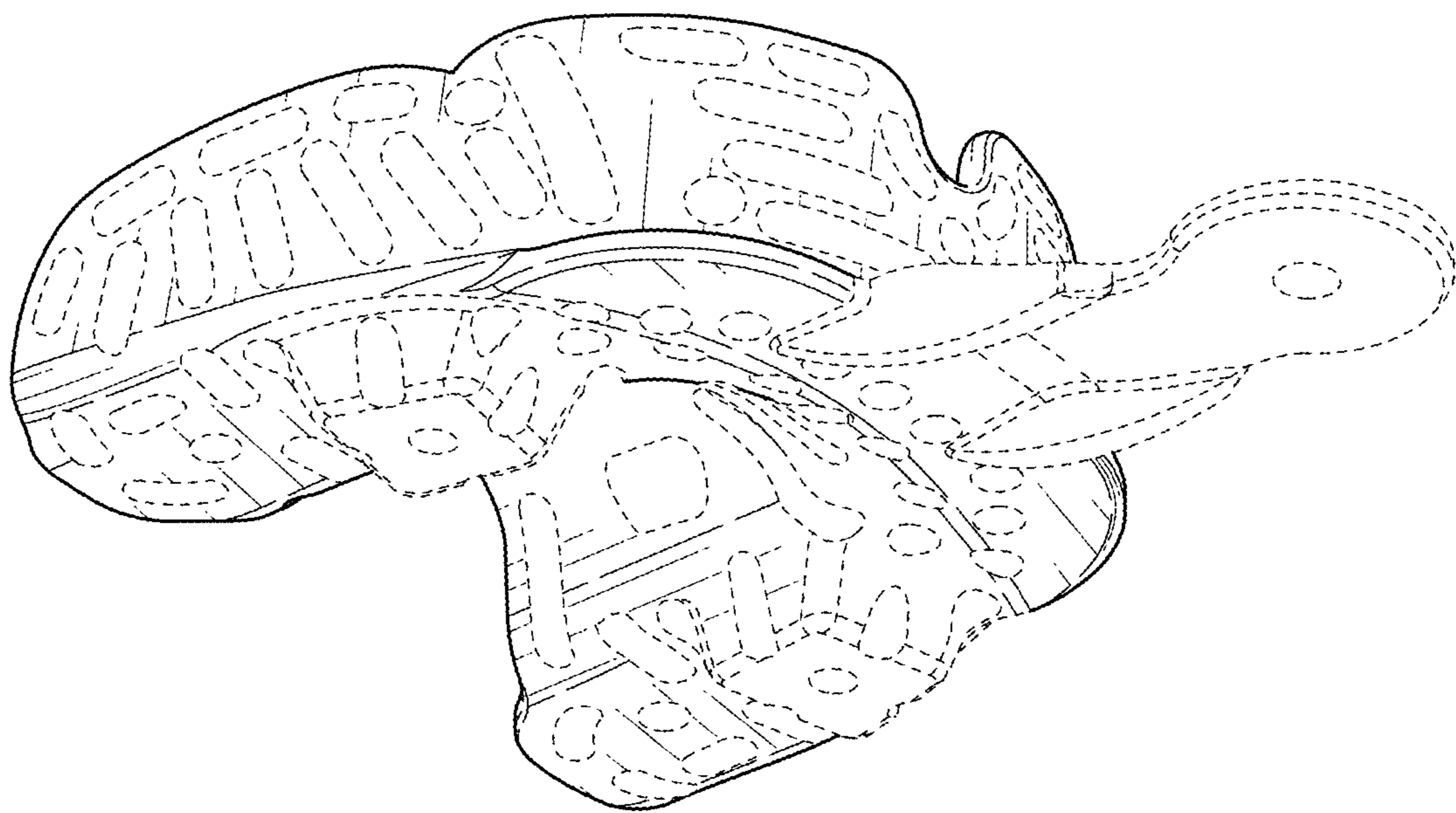


FIG. 14

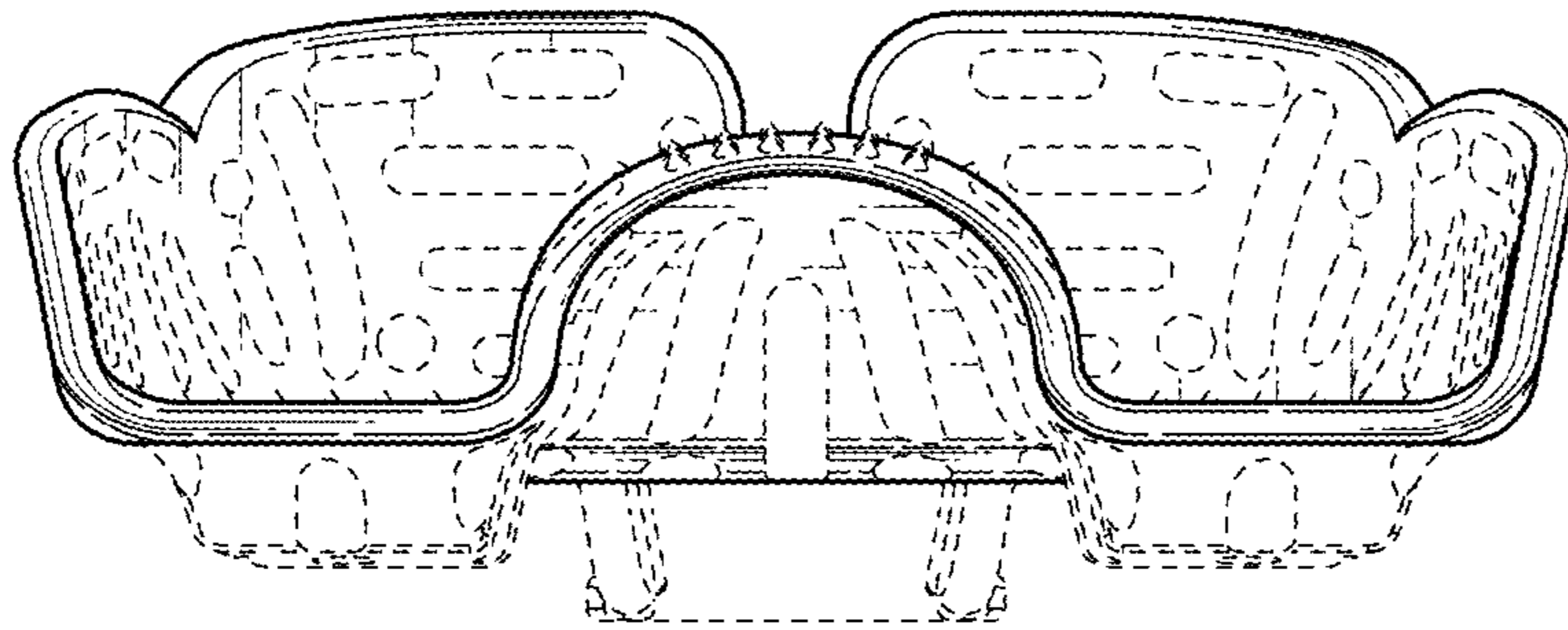


FIG. 15

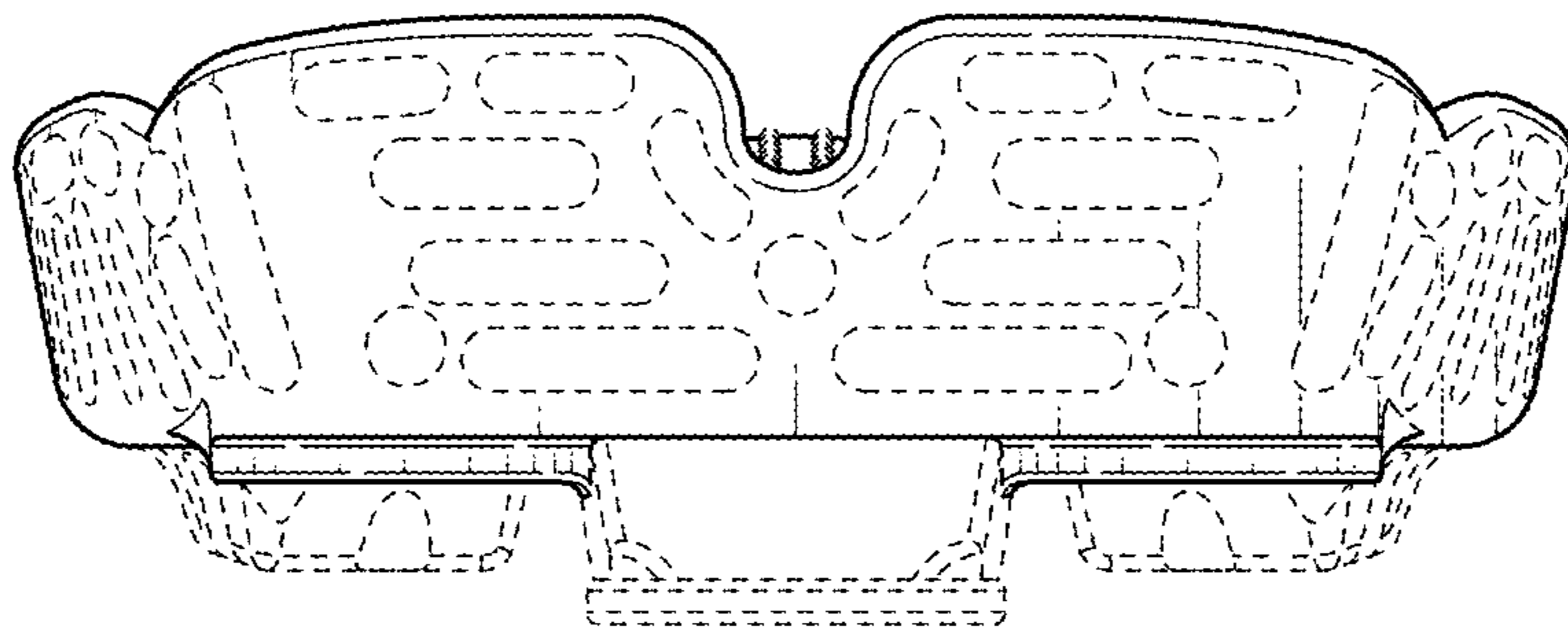


FIG. 16

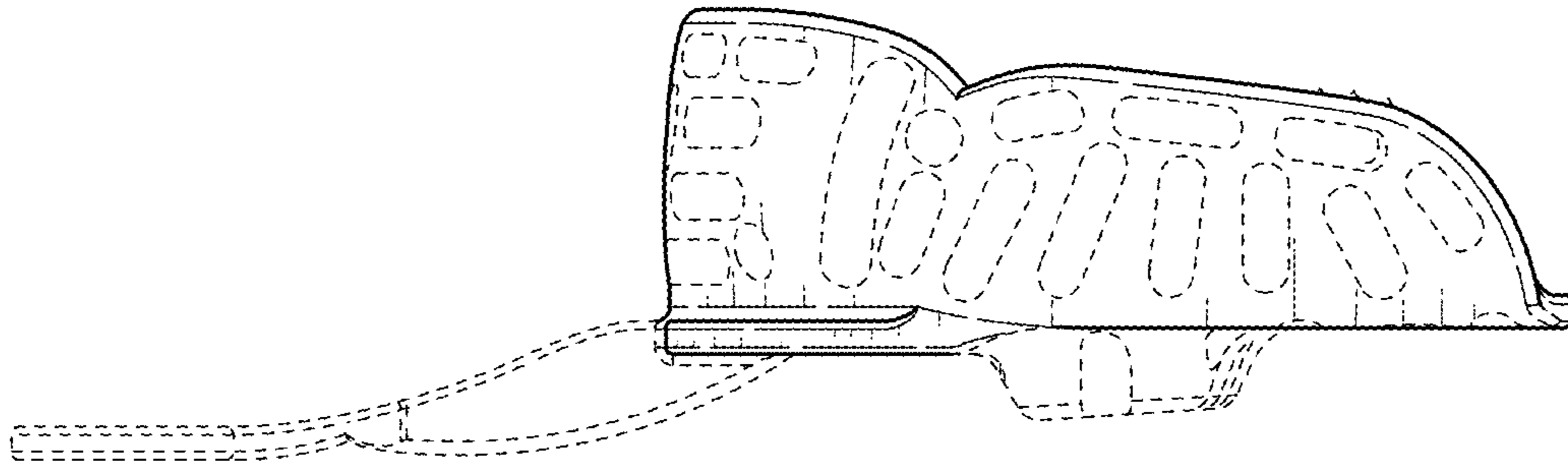


FIG. 17

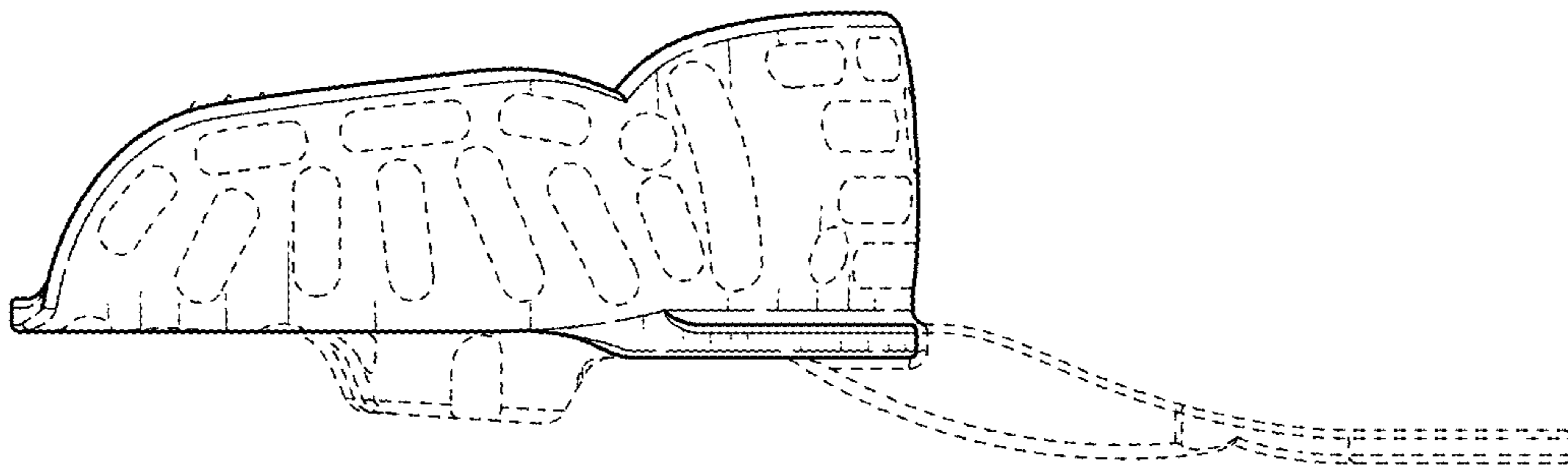


FIG. 18

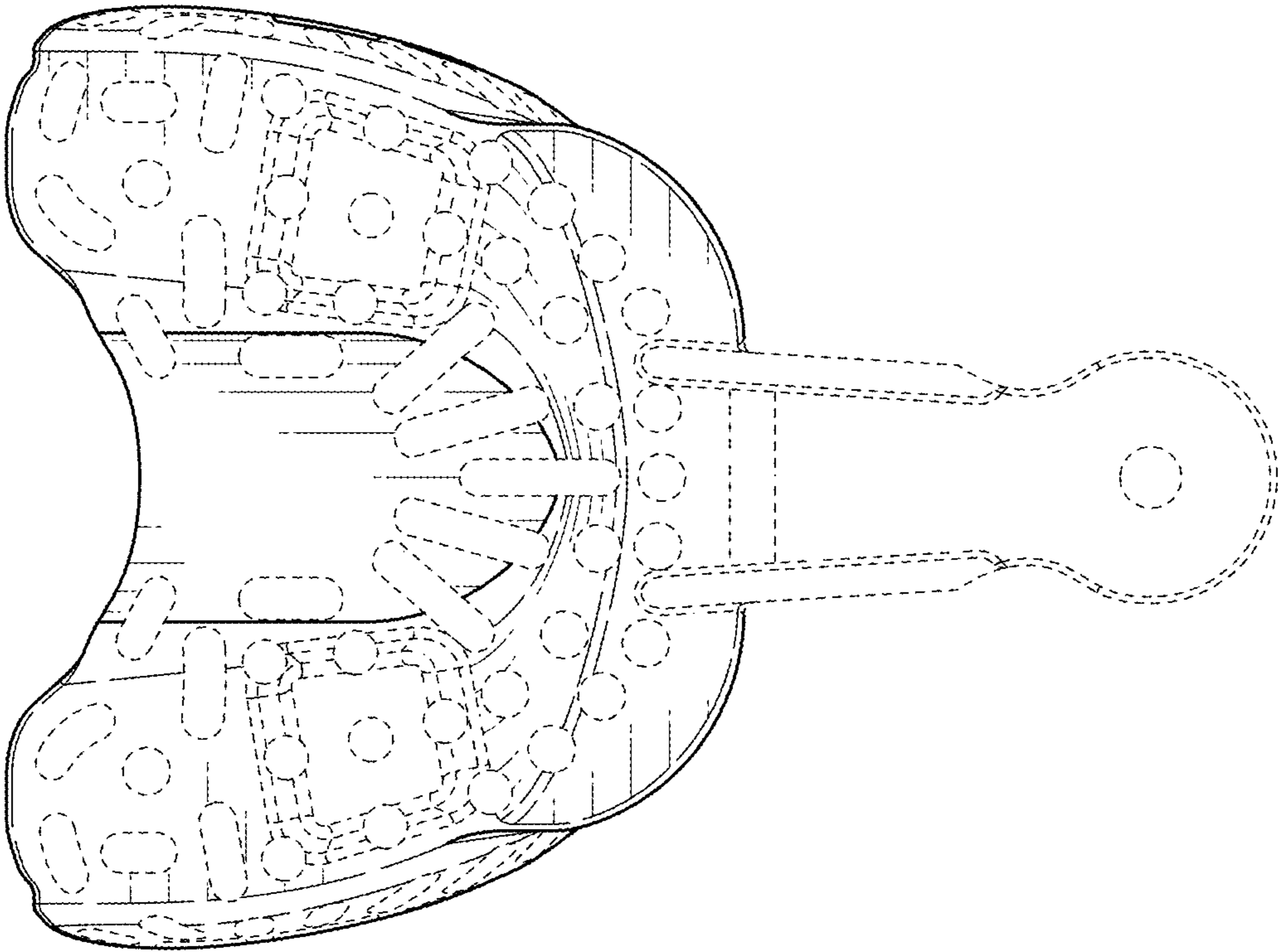


FIG. 20

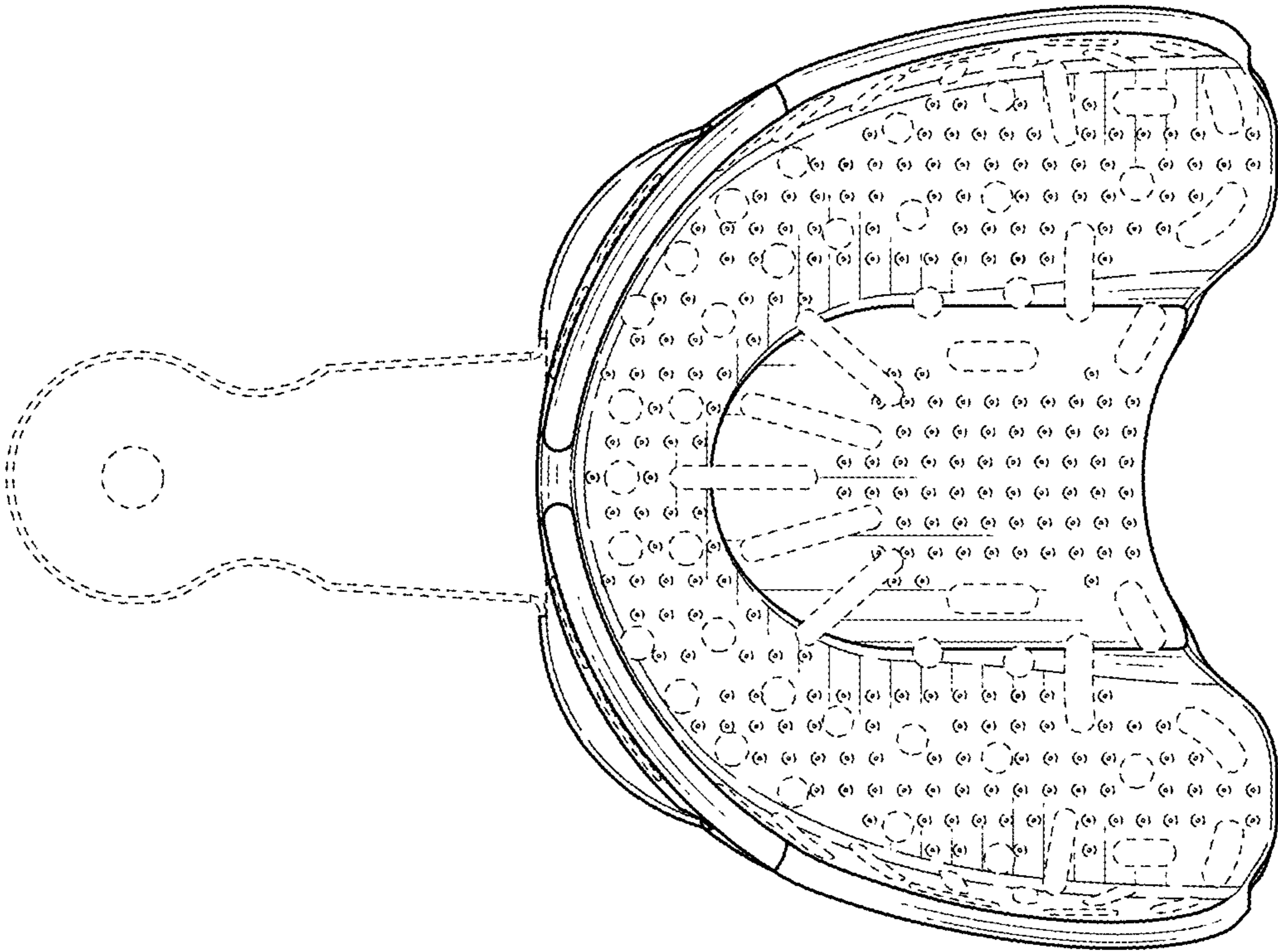


FIG. 19