



US00D936227S

(12) **United States Design Patent** (10) **Patent No.:** **US D936,227 S**  
**Chang et al.** (45) **Date of Patent:** **\*\* Nov. 16, 2021**

(54) **HANDHELD ELECTROCARDIOGRAM MEASURING DEVICE**

2016/0120434 A1\* 5/2016 Park ..... A61B 5/0006  
600/301  
2020/0054292 A1\* 2/2020 Govari ..... A61B 5/6833  
2021/0137392 A1\* 5/2021 Hwang ..... A61B 5/361

(71) Applicant: **Quanta Computer Inc.**, Taoyuan (TW)

(72) Inventors: **Chia-Yuan Chang**, Taoyuan (TW);  
**Jung-Wen Chang**, Taoyuan (TW);  
**Tung-Han Lee**, Taoyuan (TW)

(73) Assignee: **QUANTA COMPUTER INC.**,  
Taoyuan (TW)

(\*\*) Term: **15 Years**

(21) Appl. No.: **29/746,837**

(22) Filed: **Aug. 18, 2020**

(30) **Foreign Application Priority Data**

Jun. 20, 2020 (TW) ..... 109303344

(51) **LOC (13) Cl.** ..... **24-02**

(52) **U.S. Cl.**  
USPC ..... **D24/167**

(58) **Field of Classification Search**  
USPC ..... D24/107, 165–169, 186, 187, 200;  
D10/70, 98; D14/341, 344  
CPC ..... A61B 5/006; A61B 5/0245; A61B 5/346;  
A61B 5/332; A61B 5/6833; A61B  
2560/0412; A61B 2560/0462  
See application file for complete search history.

(56) **References Cited**

**U.S. PATENT DOCUMENTS**

D810,593 S \* 2/2018 Liu ..... D10/70  
D830,556 S \* 10/2018 Sebban ..... D24/167  
D868,974 S \* 12/2019 Albert ..... D24/167  
D895,118 S \* 9/2020 Hwang ..... D24/167  
D914,218 S \* 3/2021 Govari ..... D24/186

**OTHER PUBLICATIONS**

Amazon.com: AliveCor KardiaMobile Personal EKG | FDA-Cleared | Detects AFib : Sports & Outdoors. Date product available: Jan. 19, 2016. Retrieved from website: <https://www.amazon.com/AliveCor-KardiaMobile-Wireless-Detection-Smartphones/dp/B01A4W8AUK>.\*

\* cited by examiner

*Primary Examiner* — Anhdao Doan

(74) *Attorney, Agent, or Firm* — McClure, Qualey & Rodack, LLP

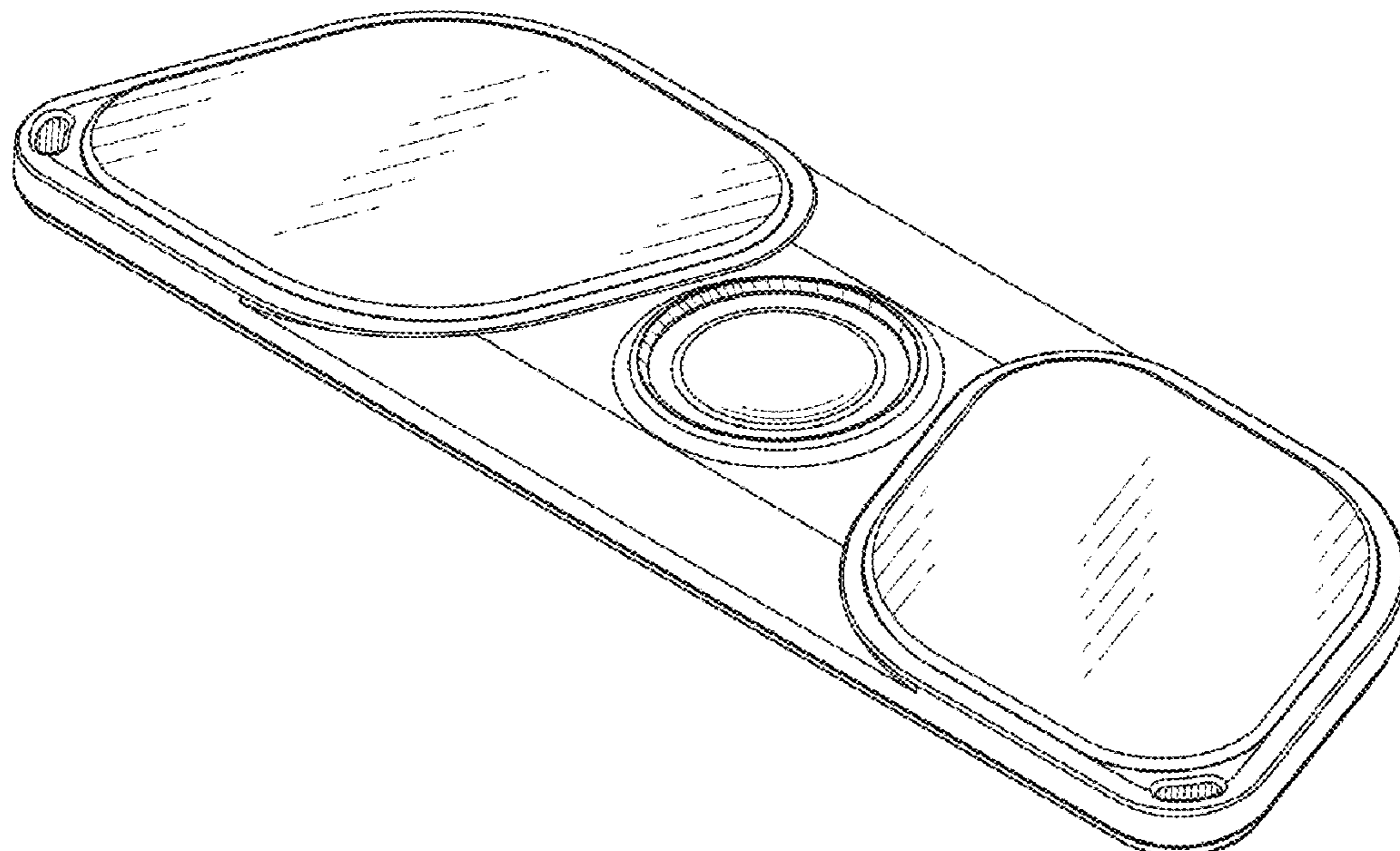
(57) **CLAIM**

The ornamental design for a handheld electrocardiogram measuring device, as shown and described.

**DESCRIPTION**

FIG. 1 is a front, right, top perspective view of a handheld electrocardiogram measuring device, showing our new design;  
FIG. 2 is a front view thereof;  
FIG. 3 is a rear view thereof;  
FIG. 4 is a left side view thereof;  
FIG. 5 is a right side view thereof;  
FIG. 6 is a top plan view thereof;  
FIG. 7 is a bottom plan view thereof;  
FIG. 8 is a front, left, bottom perspective view thereof; and,  
FIG. 9 is another front, left, bottom perspective view thereof.

**1 Claim, 9 Drawing Sheets**



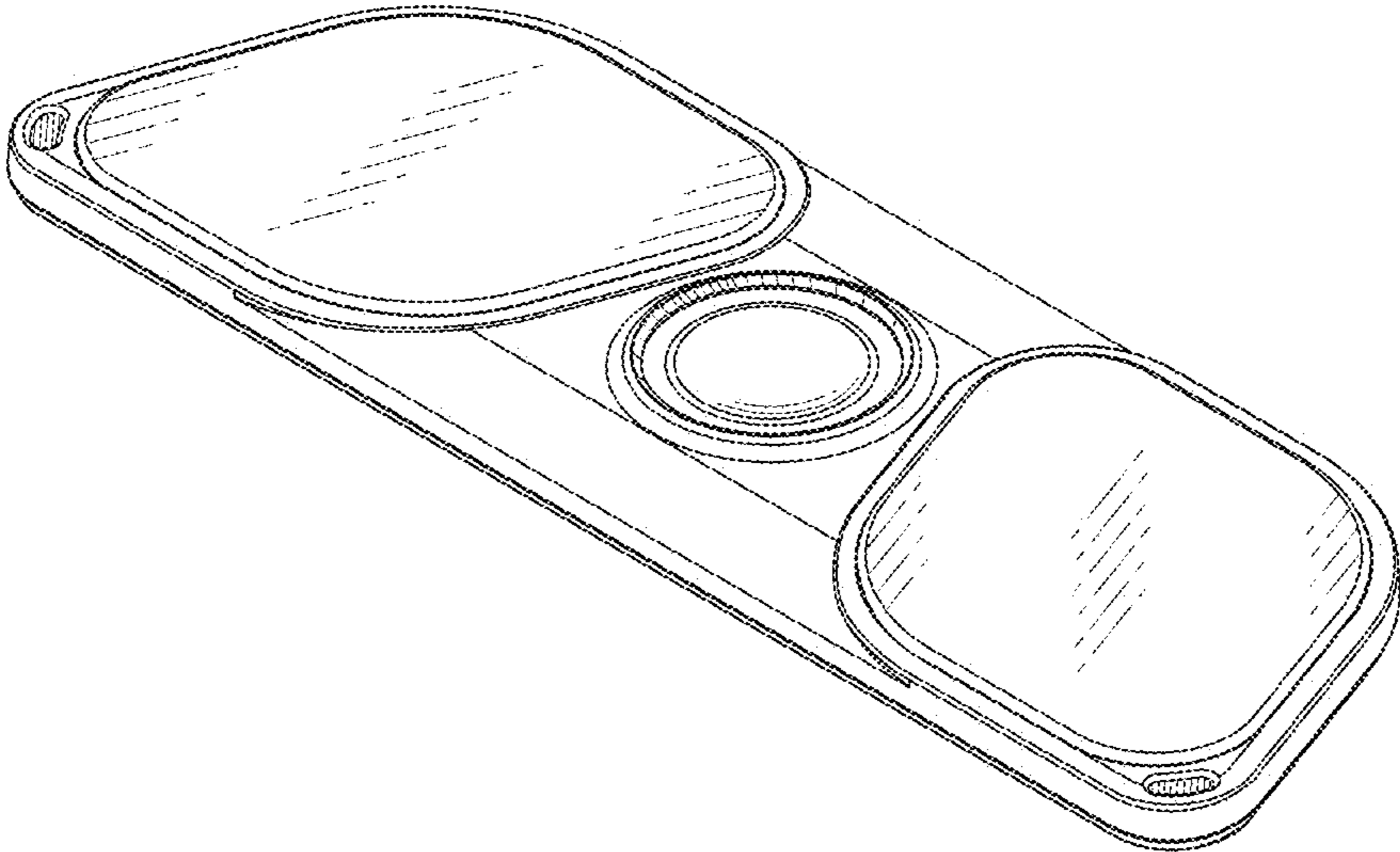


FIG. 1

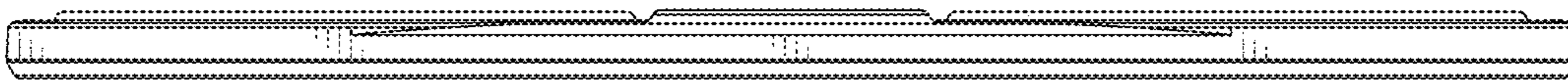


FIG. 2

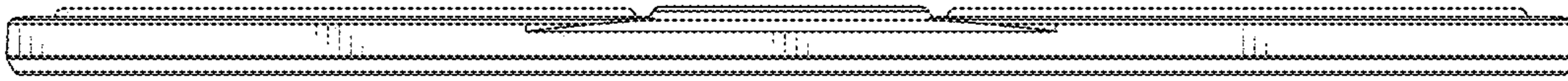


FIG. 3

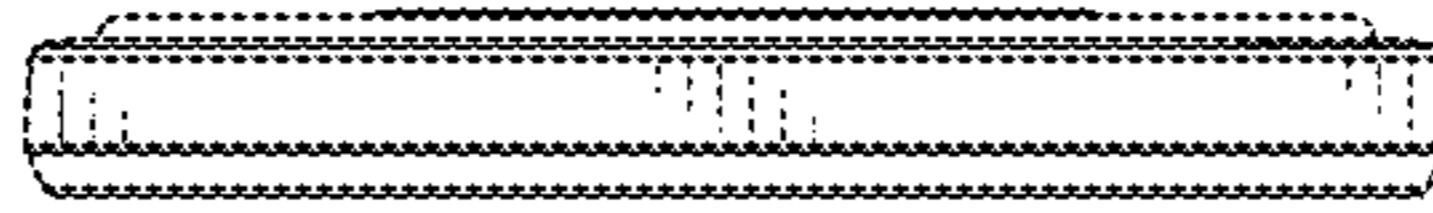


FIG. 4

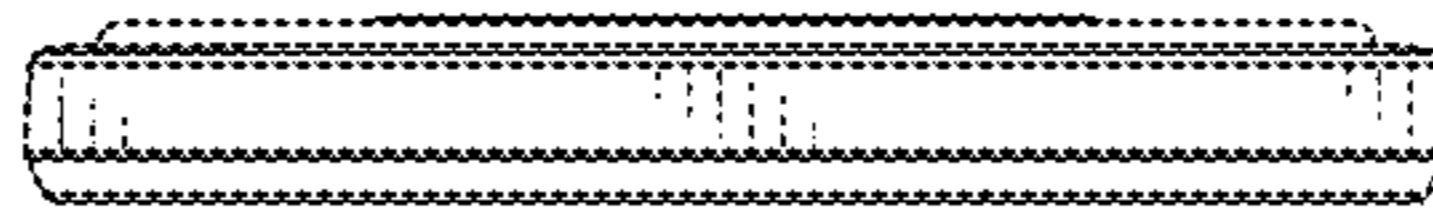


FIG. 5

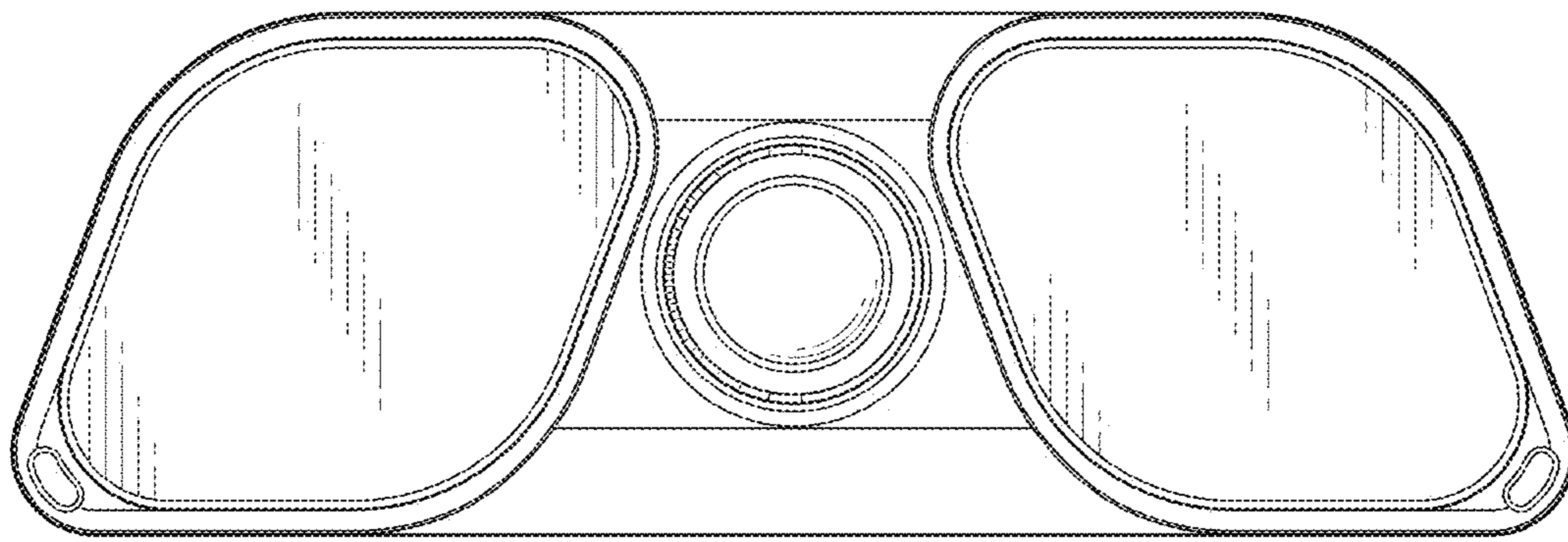


FIG. 6

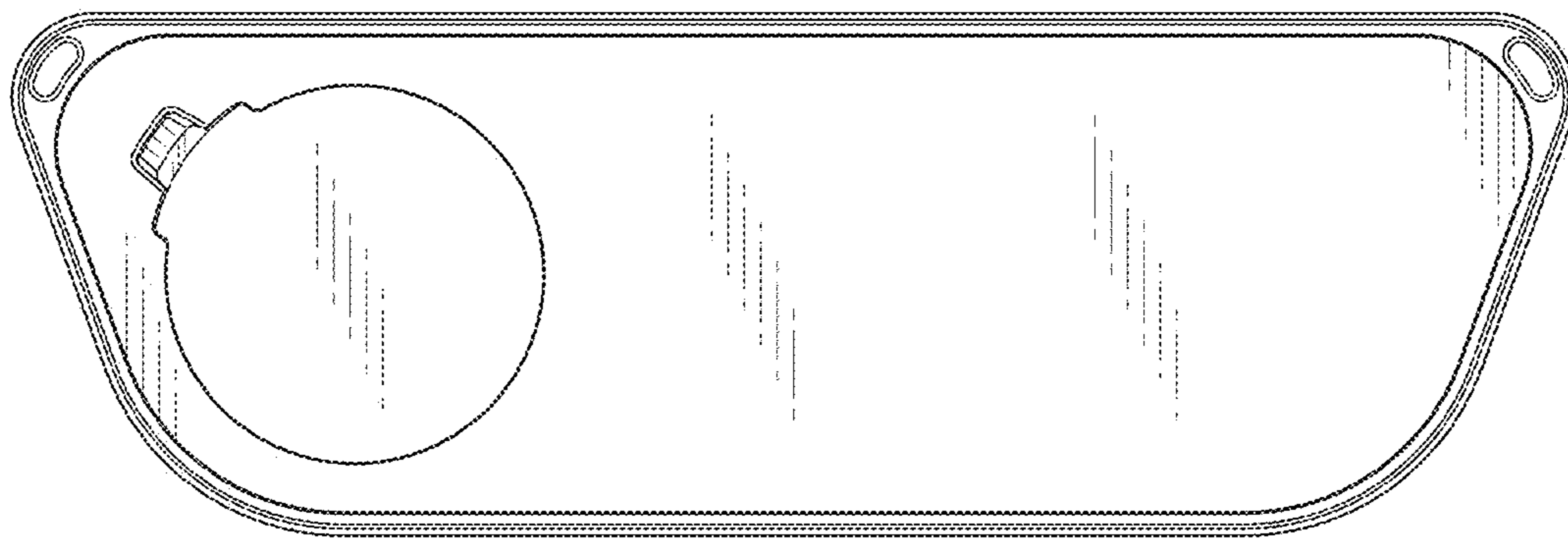


FIG. 7



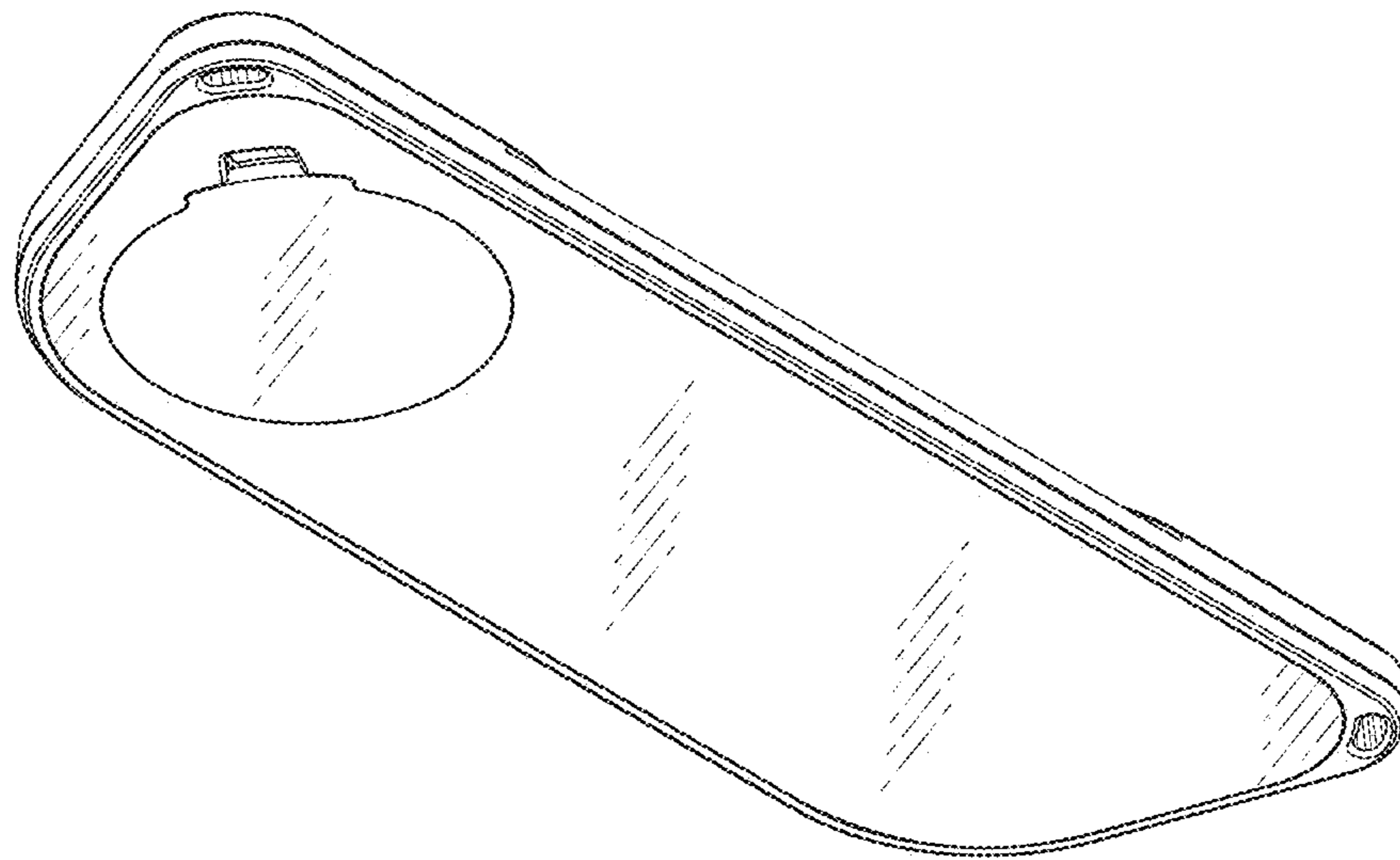


FIG. 8

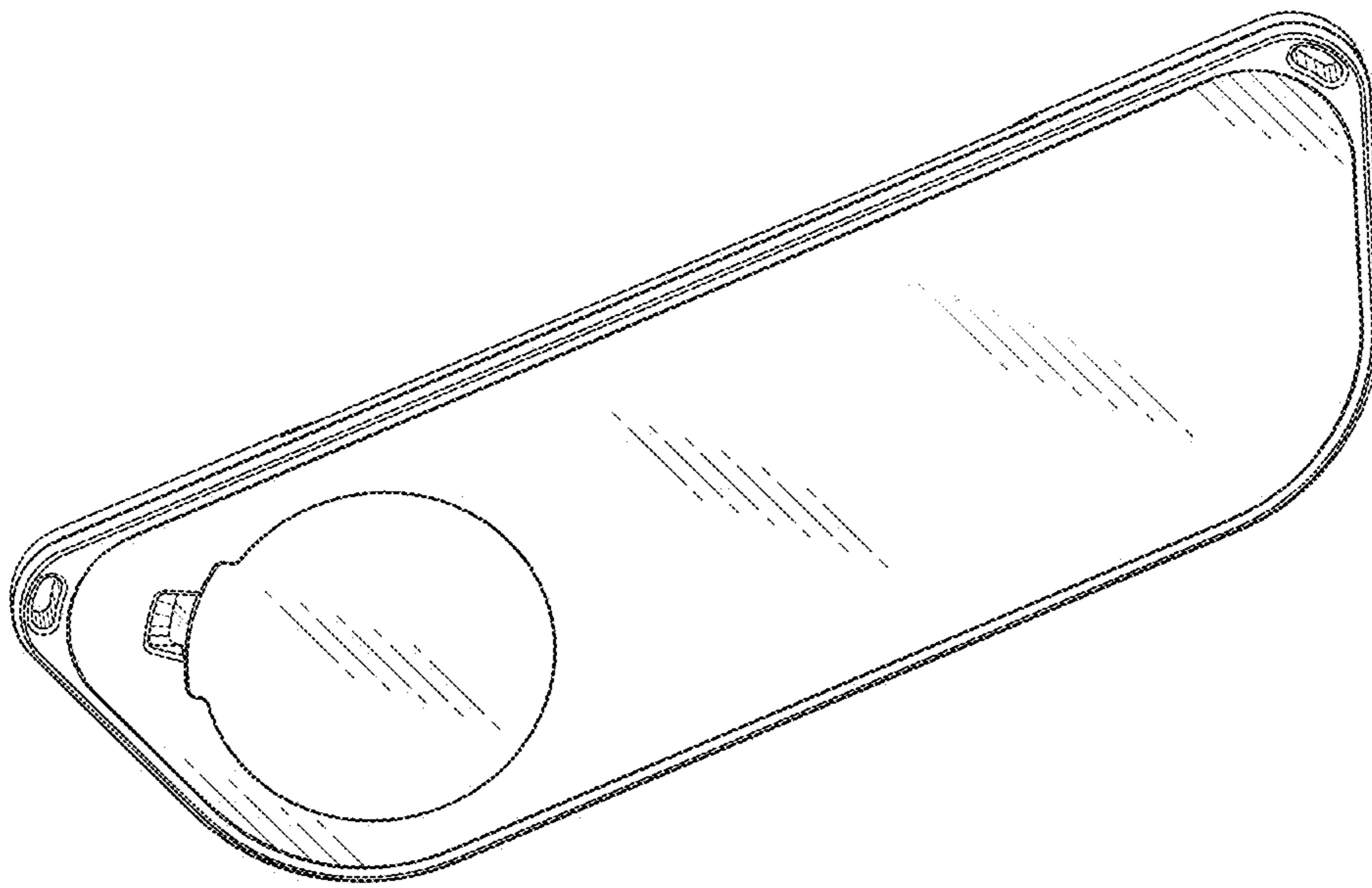


FIG. 9