



US00D936226S

(12) **United States Design Patent** (10) **Patent No.:** **US D936,226 S**  
**Chaisson et al.** (45) **Date of Patent:** **\*\* Nov. 16, 2021**

(54) **RESPIRATOR FILTER CARTRIDGE**

FOREIGN PATENT DOCUMENTS

(71) Applicant: **3M INNOVATIVE PROPERTIES COMPANY**, St. Paul, MN (US)

GB 2341116 3/2000  
GB 2431114 4/2007

(Continued)

(72) Inventors: **Jennifer A. Chaisson**, Kemptville (CA); **Jamie V. Blair**, Nepean (CA); **Gary E. Dwyer**, Mallorytown (CA)

OTHER PUBLICATIONS

(73) Assignee: **3M INNOVATIVE PROPERTIES COMPANY**, St. Paul, MN (US)

3M™ Particulate Filter 7093, P100 60 EA/Case, [retrieved from the internet on Dec. 14, 2018], URL <[https://www.3m.com/3M/en\\_US/company-us/all-3m-products/~/3M-Particulate-Filter-7093-P100-60-EACase/?N=5002385+3294776429&rt=rud](https://www.3m.com/3M/en_US/company-us/all-3m-products/~/3M-Particulate-Filter-7093-P100-60-EACase/?N=5002385+3294776429&rt=rud)>, 3 pages.

(\*\*) Term: **15 Years**

*Primary Examiner* — Rhea Shields

(21) Appl. No.: **29/667,253**

(74) *Attorney, Agent, or Firm* — Johannes Kusters; 3M Innovative Properties Company

(22) Filed: **Oct. 19, 2018**

(57) **CLAIM**

(51) **LOC (13) Cl.** ..... **24-01**

The ornamental design for a respirator filter cartridge, as shown and described.

(52) **U.S. Cl.**

**DESCRIPTION**

USPC ..... **D24/162**

(58) **Field of Classification Search**

USPC ..... D24/162, 110.1; D28/72, 78; D10/18; D23/209, 365

CPC ..... A62B 18/006; A62B 7/10; A62B 18/10; A62B 18/08; A62B 9/02; A62B 9/04

See application file for complete search history.

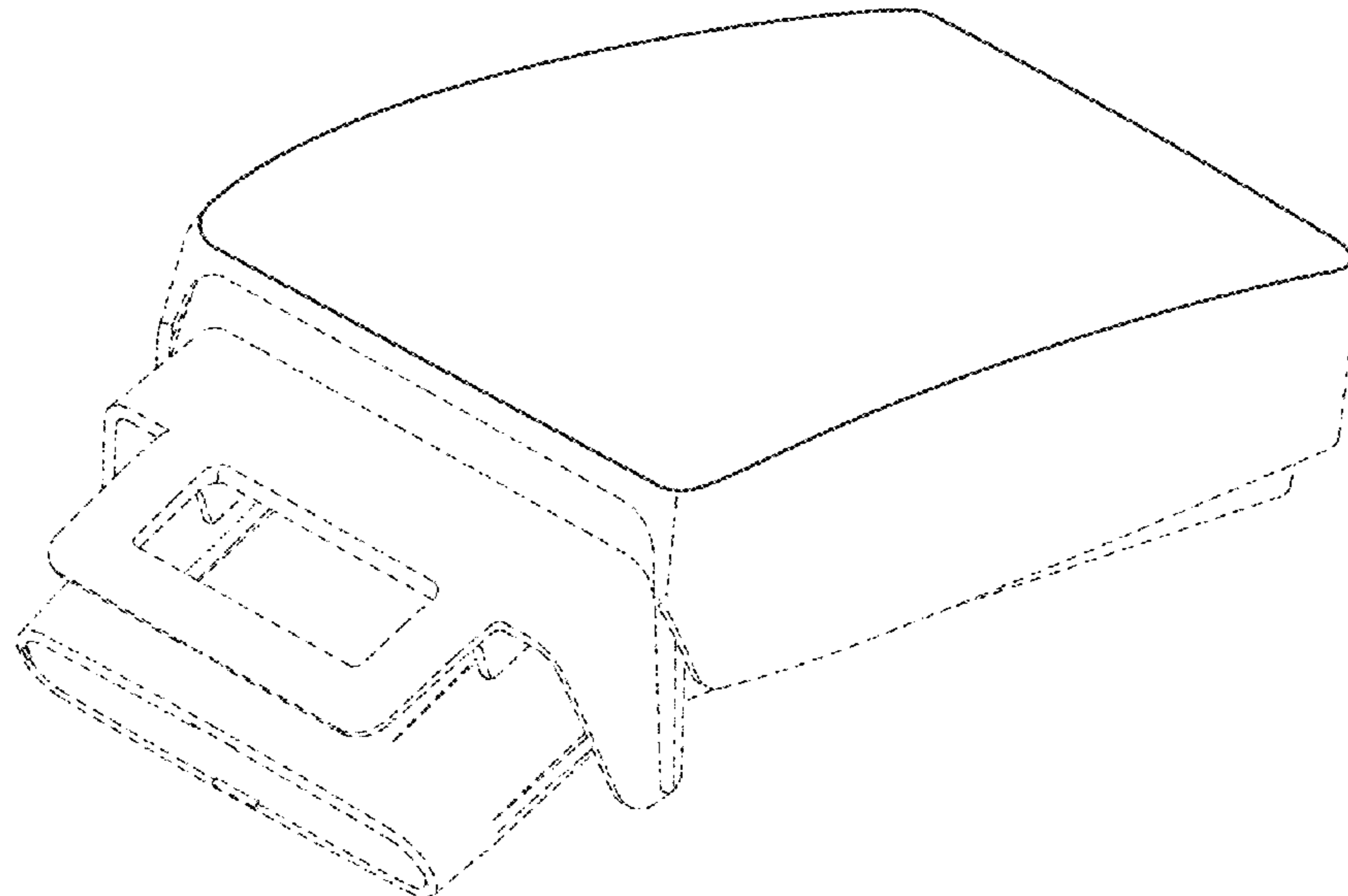
(56) **References Cited**

U.S. PATENT DOCUMENTS

D191,003 S \* 8/1961 Miley et al. .... D10/18  
4,832,018 A 5/1989 Pantaleon-Stemberg  
5,033,507 A 7/1991 Pouchot  
5,036,844 A 8/1991 Pouchot  
5,531,803 A 7/1996 Salapow  
D401,017 S \* 11/1998 Thorpe ..... D28/78  
D429,850 S \* 8/2000 Wilson ..... D28/78  
D496,495 S \* 9/2004 Jeffers ..... D28/73  
9,089,722 B2 7/2015 Skov  
D744,654 S \* 12/2015 Gerson ..... D24/162

(Continued)

**1 Claim, 6 Drawing Sheets**



(56)

**References Cited**

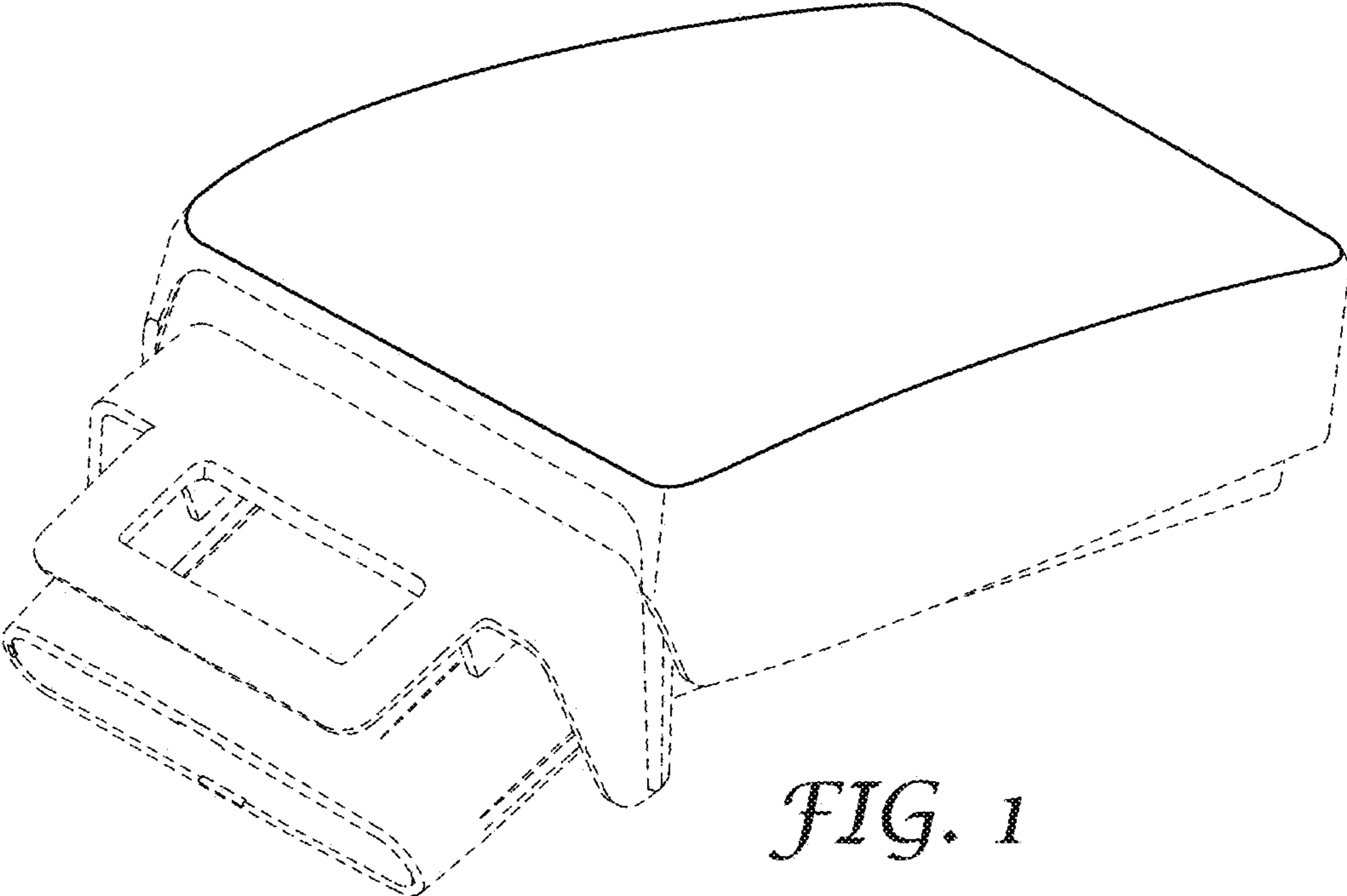
U.S. PATENT DOCUMENTS

D745,962	S *	12/2015	Dwyer	.....	D24/110.1
D746,438	S *	12/2015	Dwyer	.....	D24/110.1
D757,248	S *	5/2016	Fleming	.....	D24/110.1
9,393,448	B2	7/2016	Dwyer		
D763,437	S *	8/2016	Dwyer	.....	D24/110.1
9,510,626	B2	12/2016	Blomberg		
D778,430	S *	2/2017	Blomberg	.....	D24/110.1
D795,415	S *	8/2017	Blomberg	.....	D24/110.1
D804,005	S *	11/2017	Spear	.....	D23/365
9,814,913	B2	11/2017	Blomberg		
9,950,199	B2	4/2018	Skov		
D887,553	S *	6/2020	Huberty	.....	D24/162
D890,295	S *	7/2020	Xu	.....	D23/209
D894,394	S *	8/2020	Huang	.....	D24/162
2014/0034049	A1 *	2/2014	Castiglione	.....	A62B 9/04 128/202.27
2014/0216474	A1 *	8/2014	Mittelstadt	.....	A62B 9/02 128/863
2014/0216475	A1 *	8/2014	Blomberg	.....	A62B 18/08 128/863
2014/0251327	A1 *	9/2014	Mittelstadt	.....	A62B 18/10 128/202.22
2015/0136142	A1 *	5/2015	Blomberg	.....	A62B 7/10 128/206.17
2015/0336718	A1 *	11/2015	Dwyer	.....	A62B 18/006 128/205.12
2016/0030778	A1	2/2016	Skov		
2018/0043191	A1	2/2018	Huberty		

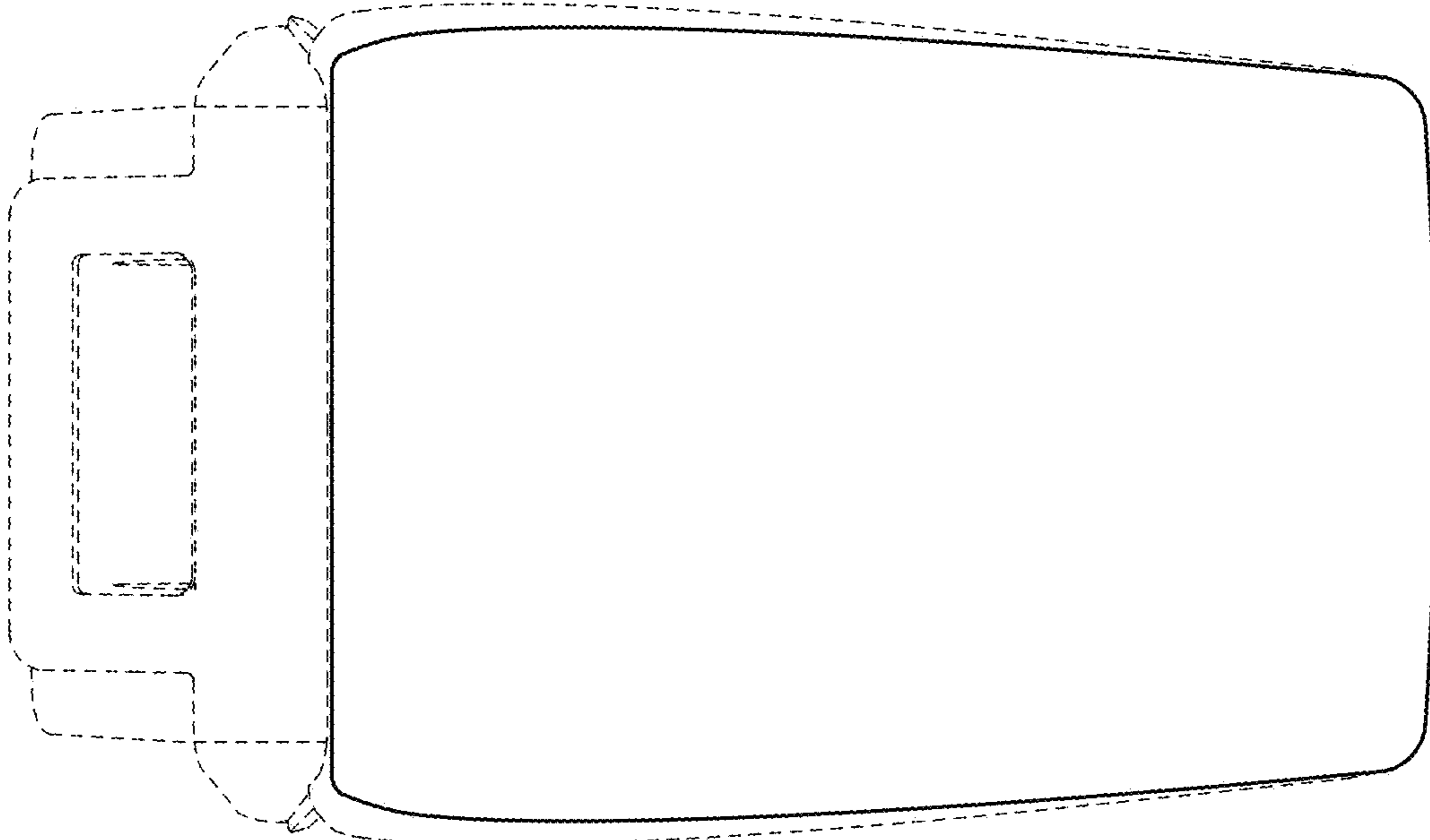
FOREIGN PATENT DOCUMENTS

GB	2511996	9/2014
GB	2515847	1/2015

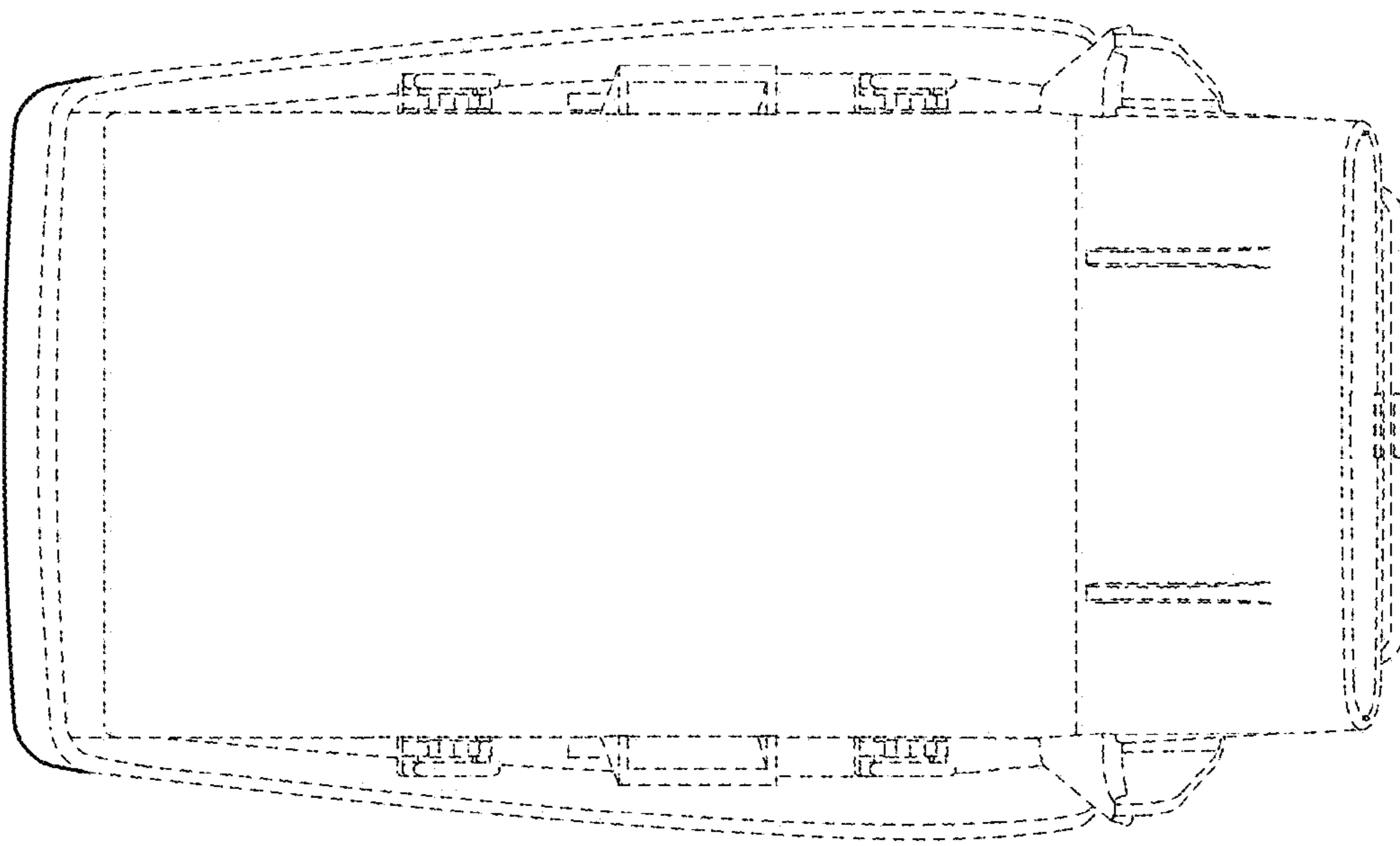
\* cited by examiner



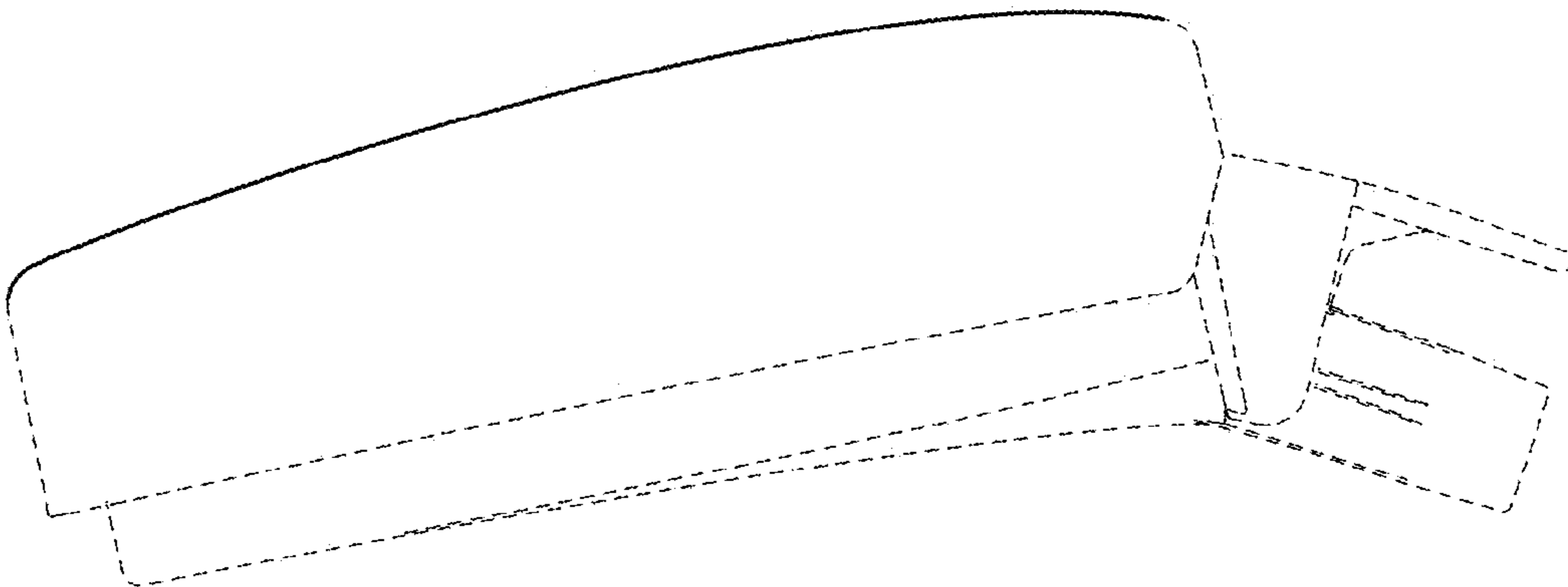
*FIG. 1*



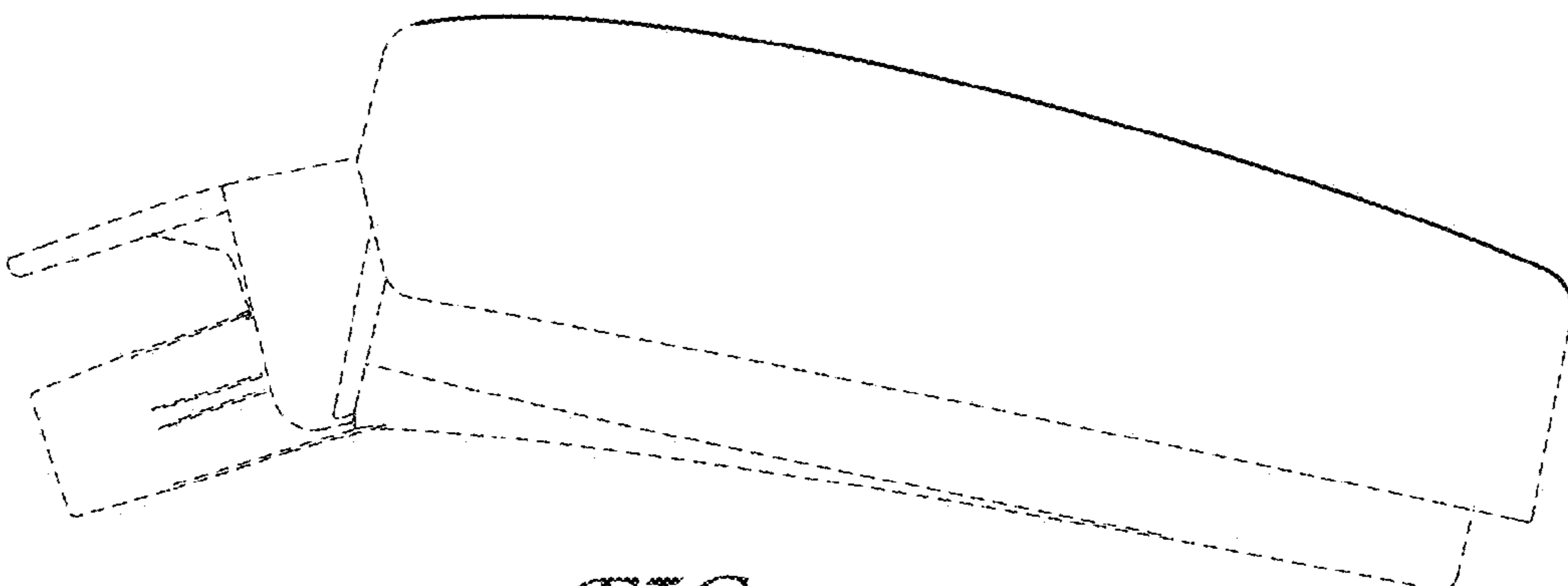
*FIG. 2*



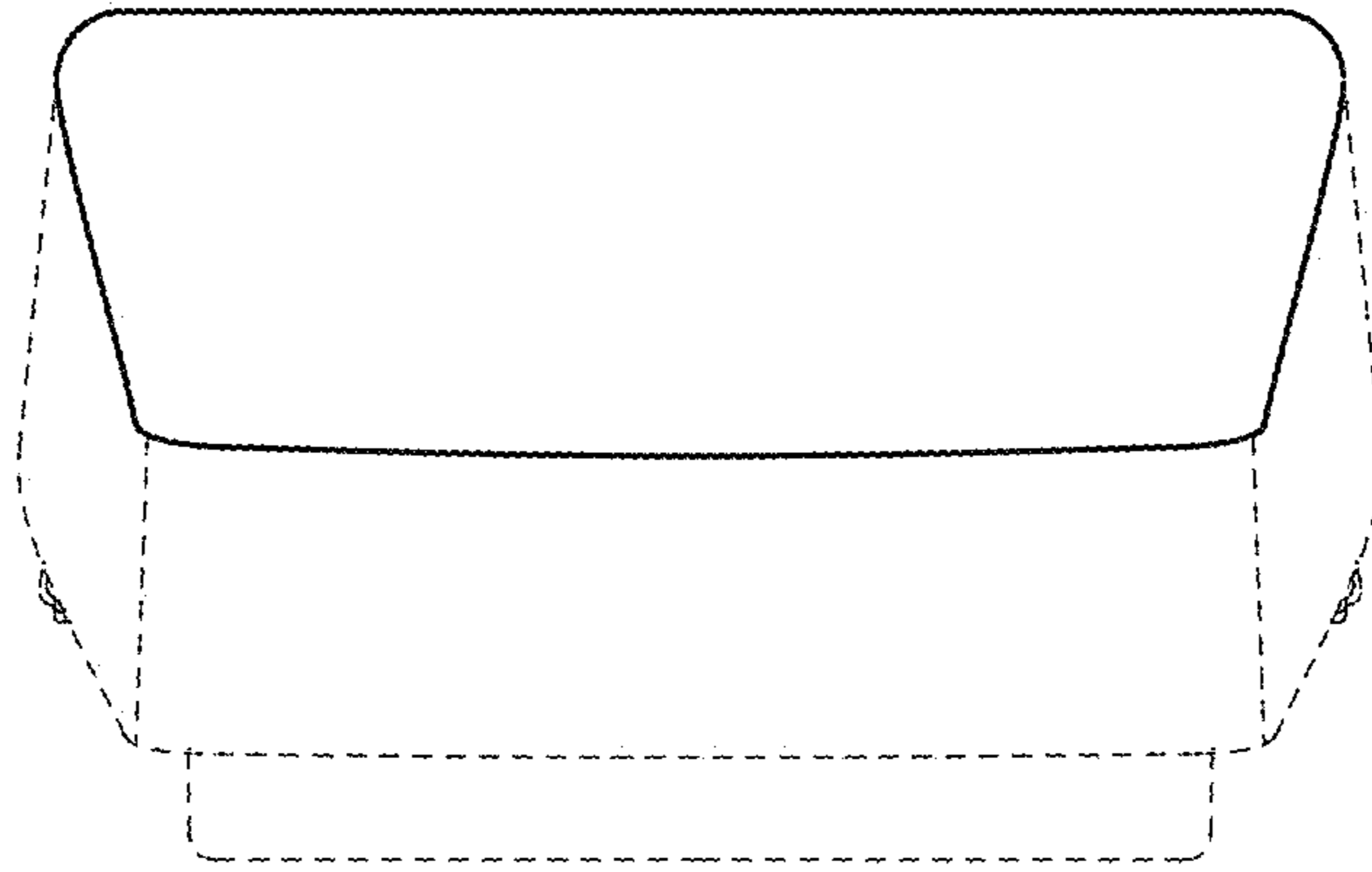
*FIG. 3*



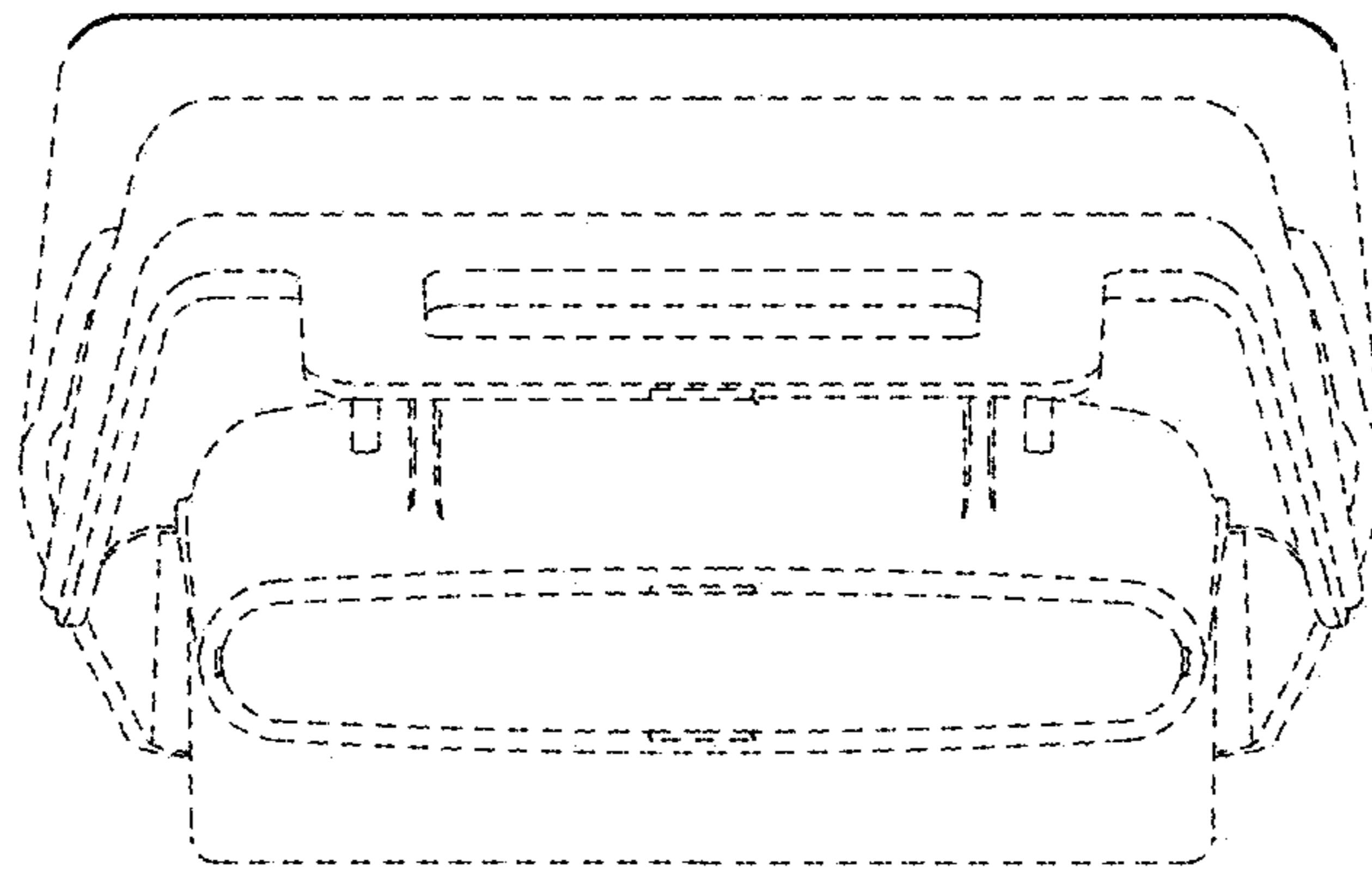
*FIG. 4*



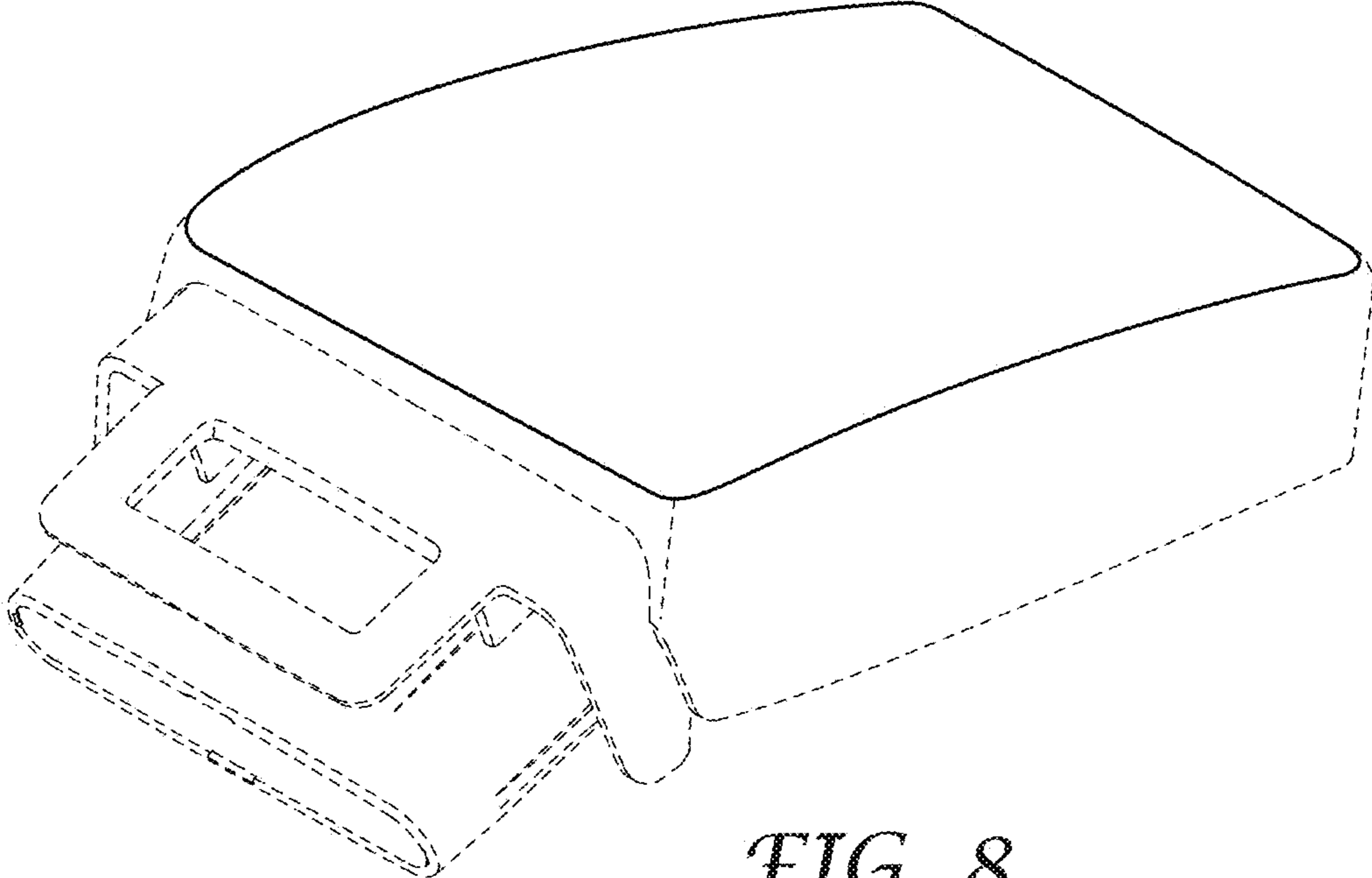
*FIG. 5*



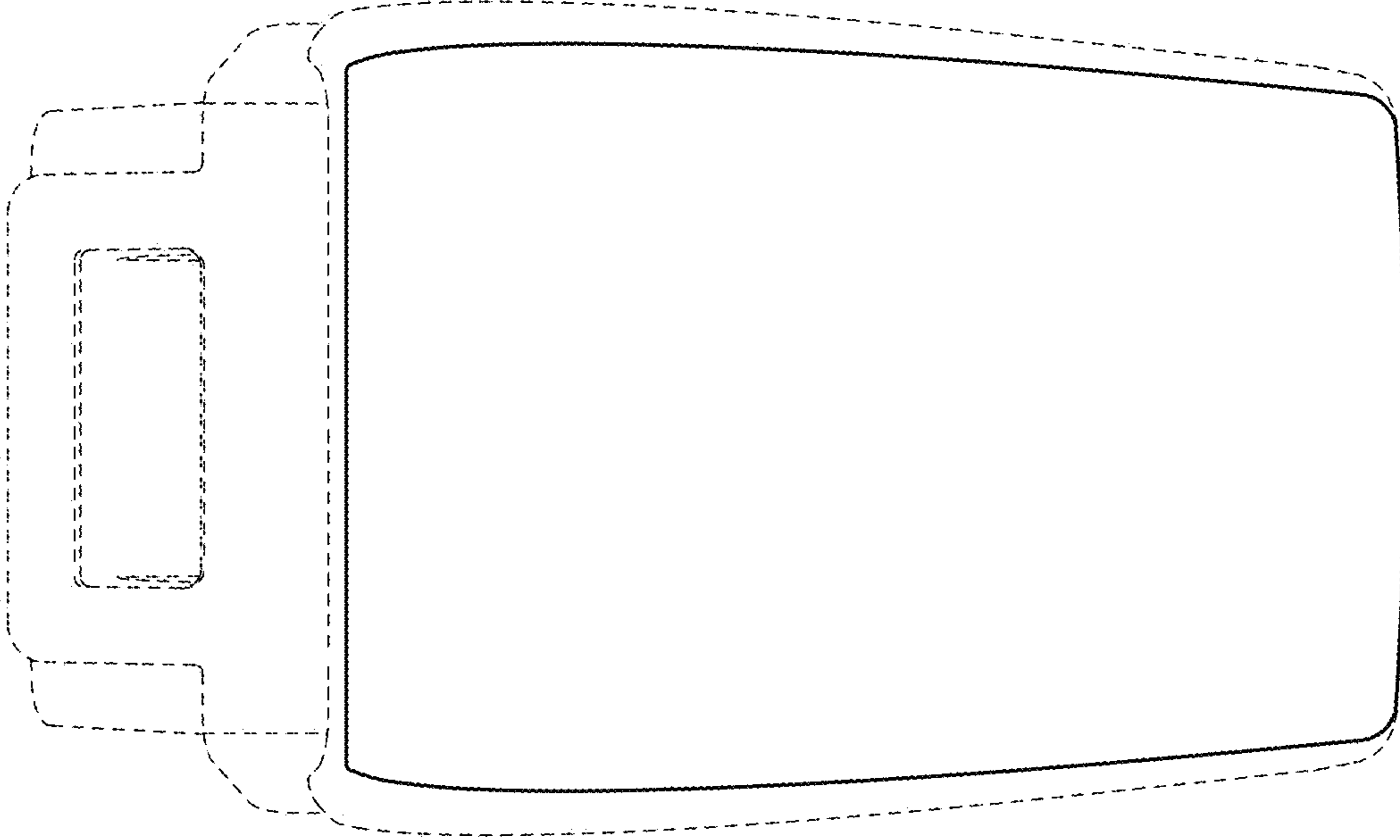
*FIG. 6*



*FIG. 7*



*FIG. 8*



*FIG. 9*

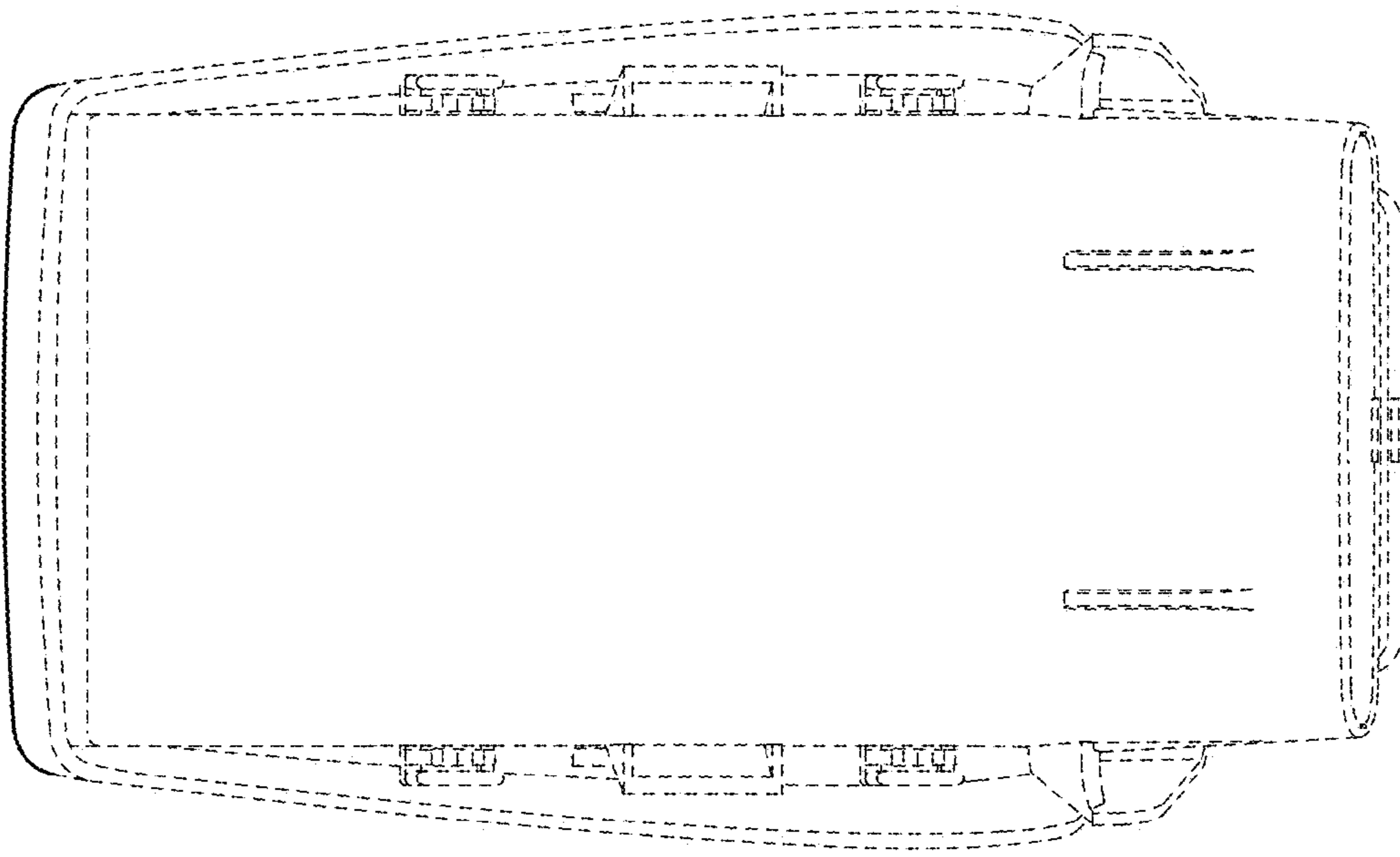


FIG. 10

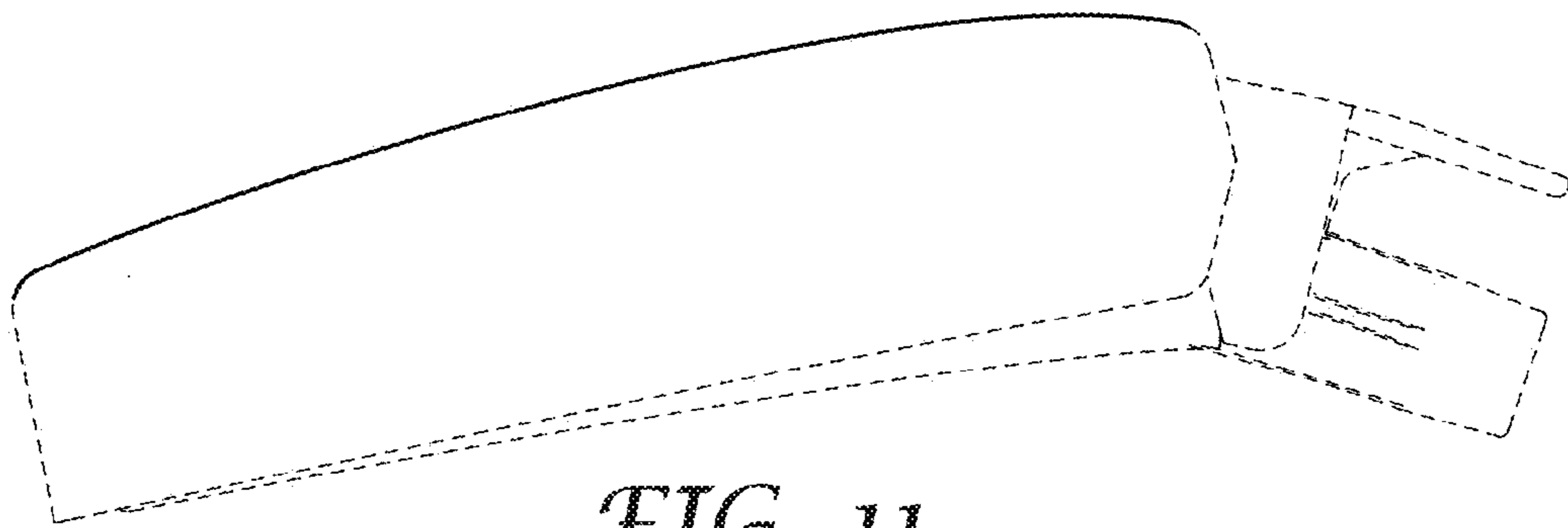


FIG. 11

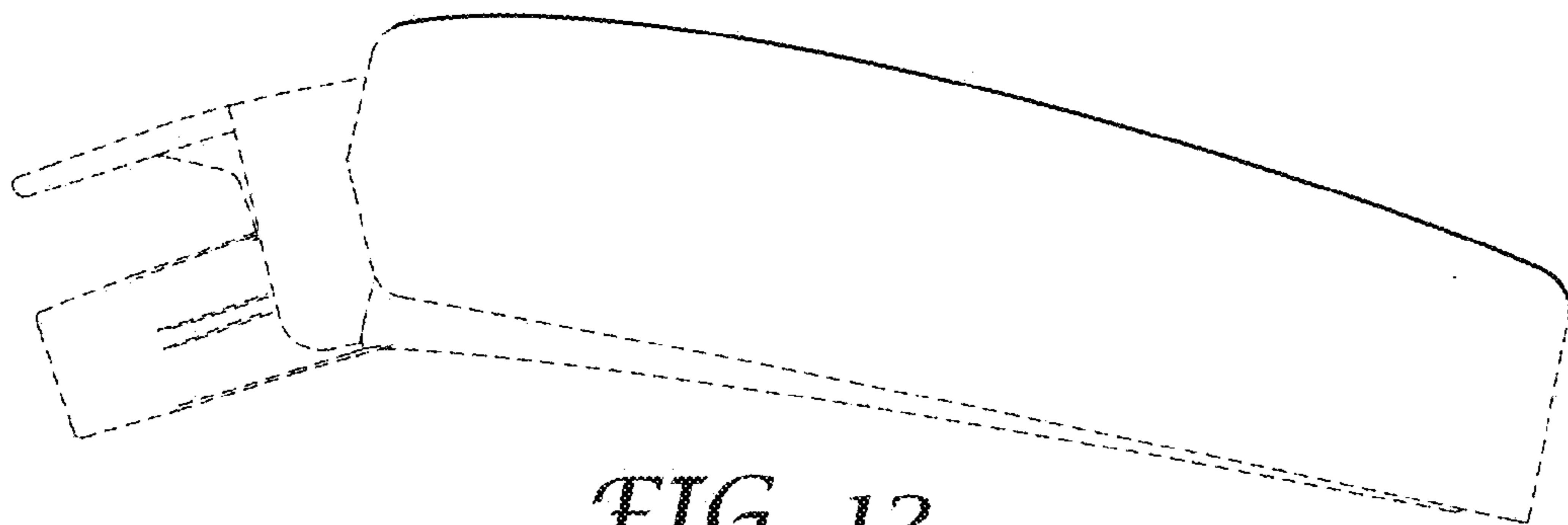
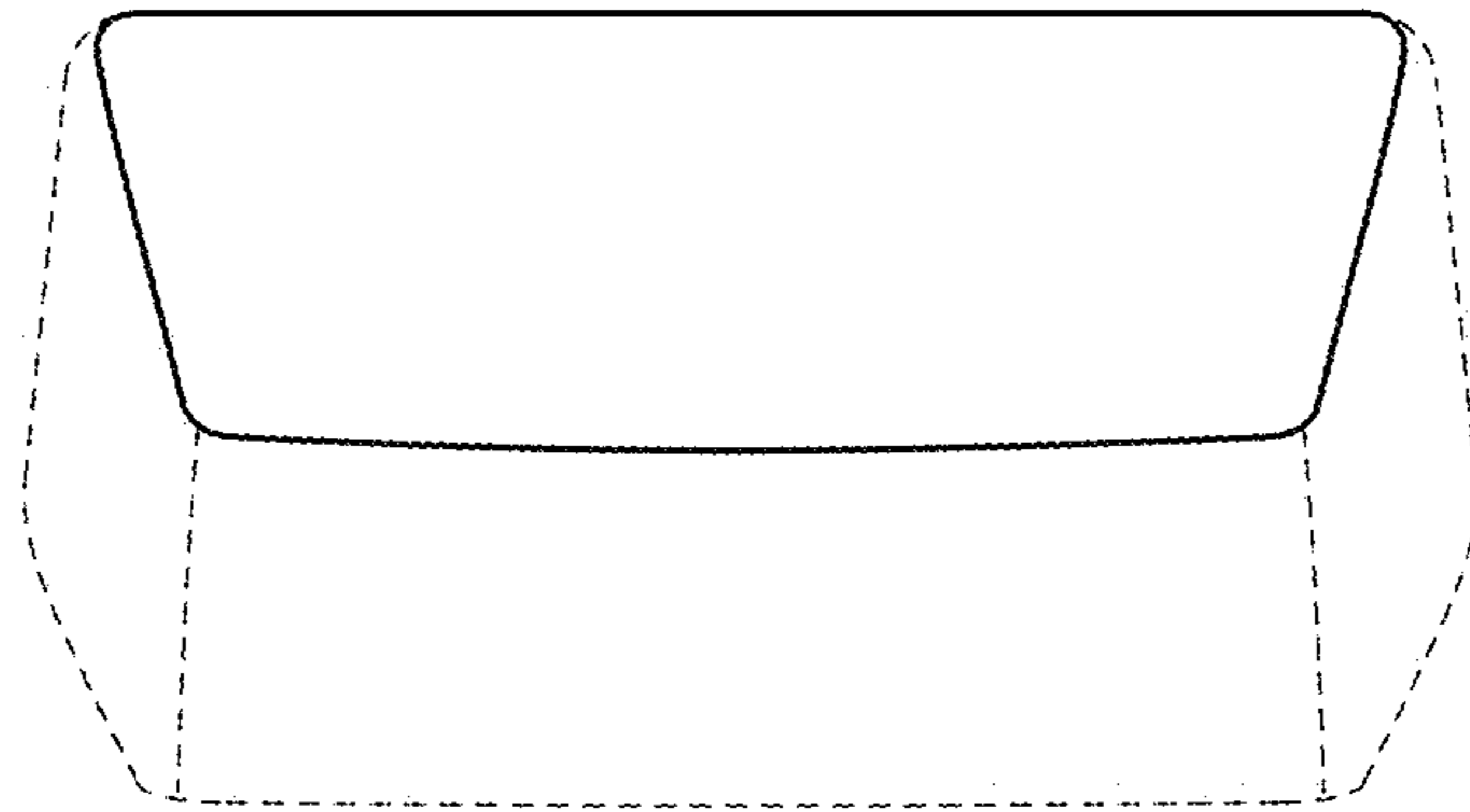
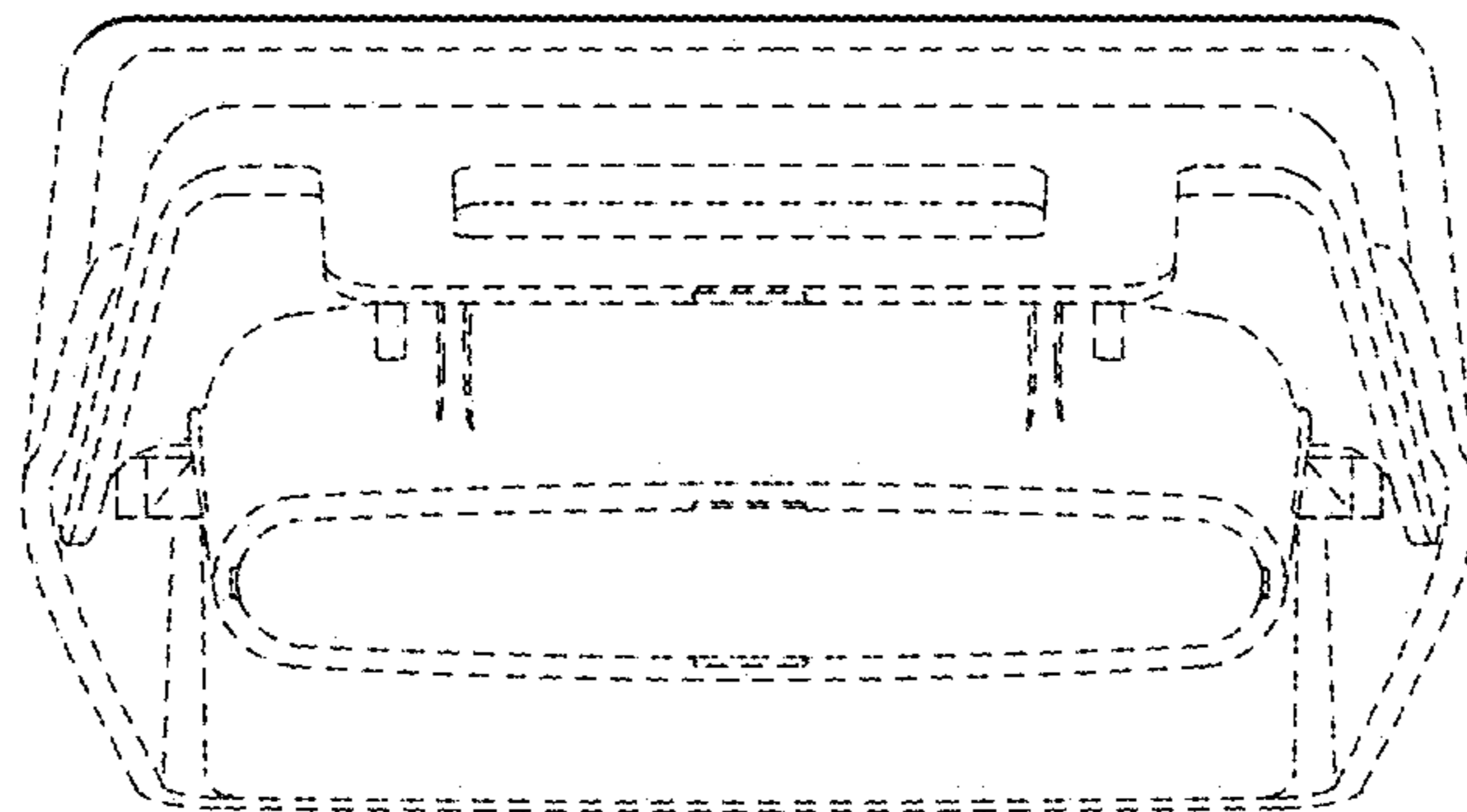


FIG. 12



*FIG. 13*



*FIG. 14*