



US00D936224S

(12) **United States Design Patent** (10) **Patent No.:** **US D936,224 S**
Ju (45) **Date of Patent:** **** Nov. 16, 2021**

(54) **CUTTING BLADE FOR THE SURGERY OF AN ARTIFICIAL HIP JOINT**

(71) Applicant: **IMEDICOM Co., Ltd.**, Gunpo-si (KR)

(72) Inventor: **Don Soo Ju**, Gunpo-Si (KR)

(**) Term: **15 Years**

(21) Appl. No.: **35/510,180**

(22) Filed: **Jun. 25, 2020**

(80) **Hague Agreement Data**

Int. Filing Date: **Jun. 25, 2020**

Int. Reg. No.: **DM/209897**

Int. Reg. Date: **Jun. 25, 2020**

Int. Reg. Pub. Date: **Aug. 28, 2020**

(51) **LOC (13) Cl.** **24-02**

(52) **U.S. Cl.**
USPC **D24/146**

(58) **Field of Classification Search**
USPC D24/146
CPC A61B 17/142; A61B 17/14; A61B 17/147;
A61B 17/144; B27B 19/006
See application file for complete search history.

(56) **References Cited**

U.S. PATENT DOCUMENTS

1,455,621 A * 5/1923 Joyner A61B 17/142
30/166.3
D853,816 S * 7/2019 Schaz D8/70

2005/0245935 A1* 11/2005 Casey A61B 17/142
606/82
2006/0123959 A1* 6/2006 Bocast B23D 61/006
83/13
2012/0143196 A1* 6/2012 Kim A61B 17/142
606/82
2014/0012265 A1* 1/2014 Servidio A61B 17/14
606/82
2016/0100846 A1* 4/2016 Motherway A61B 17/142
606/81
2019/0192170 A1* 6/2019 Nunan A61B 17/142
2021/0276111 A1* 9/2021 Novak A61B 17/144

FOREIGN PATENT DOCUMENTS

WO WO-2017106093 A1 * 6/2017 A61B 17/142

* cited by examiner

Primary Examiner — Michael A. Pratt

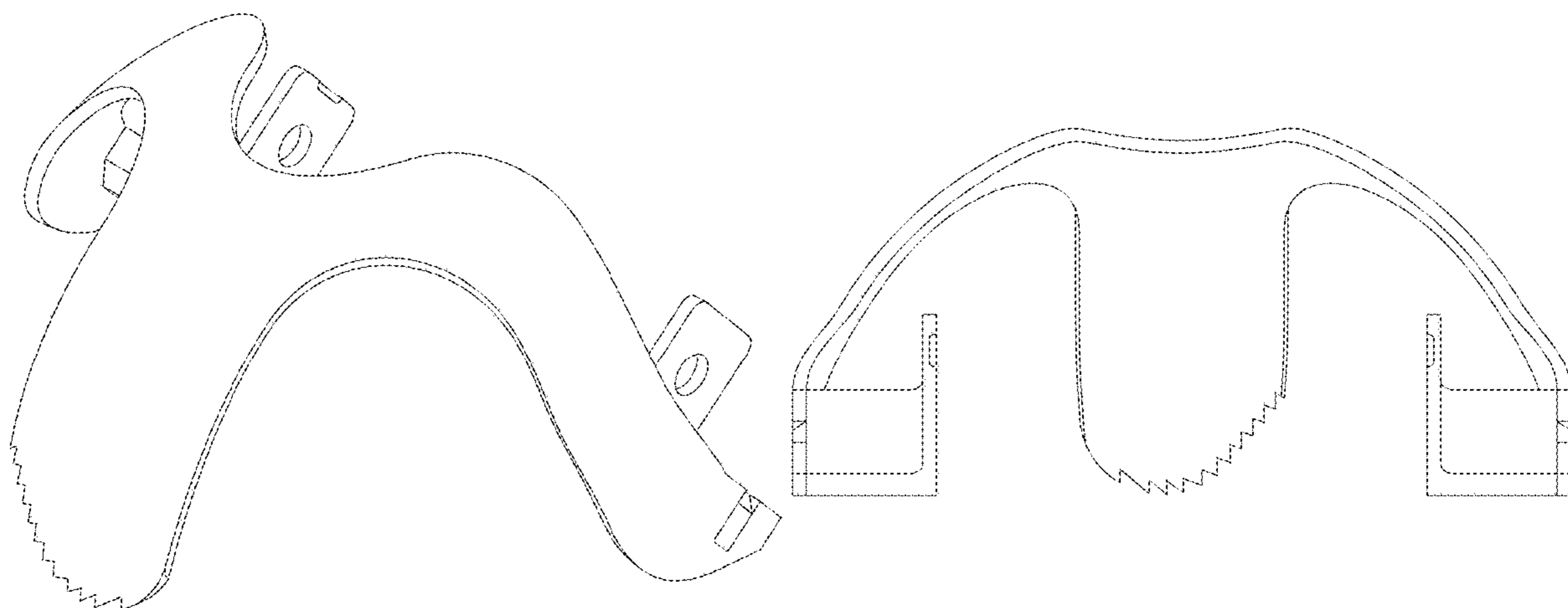
(57) **CLAIM**

The ornamental design for a cutting blade for the surgery of an artificial hip joint, as shown and described.

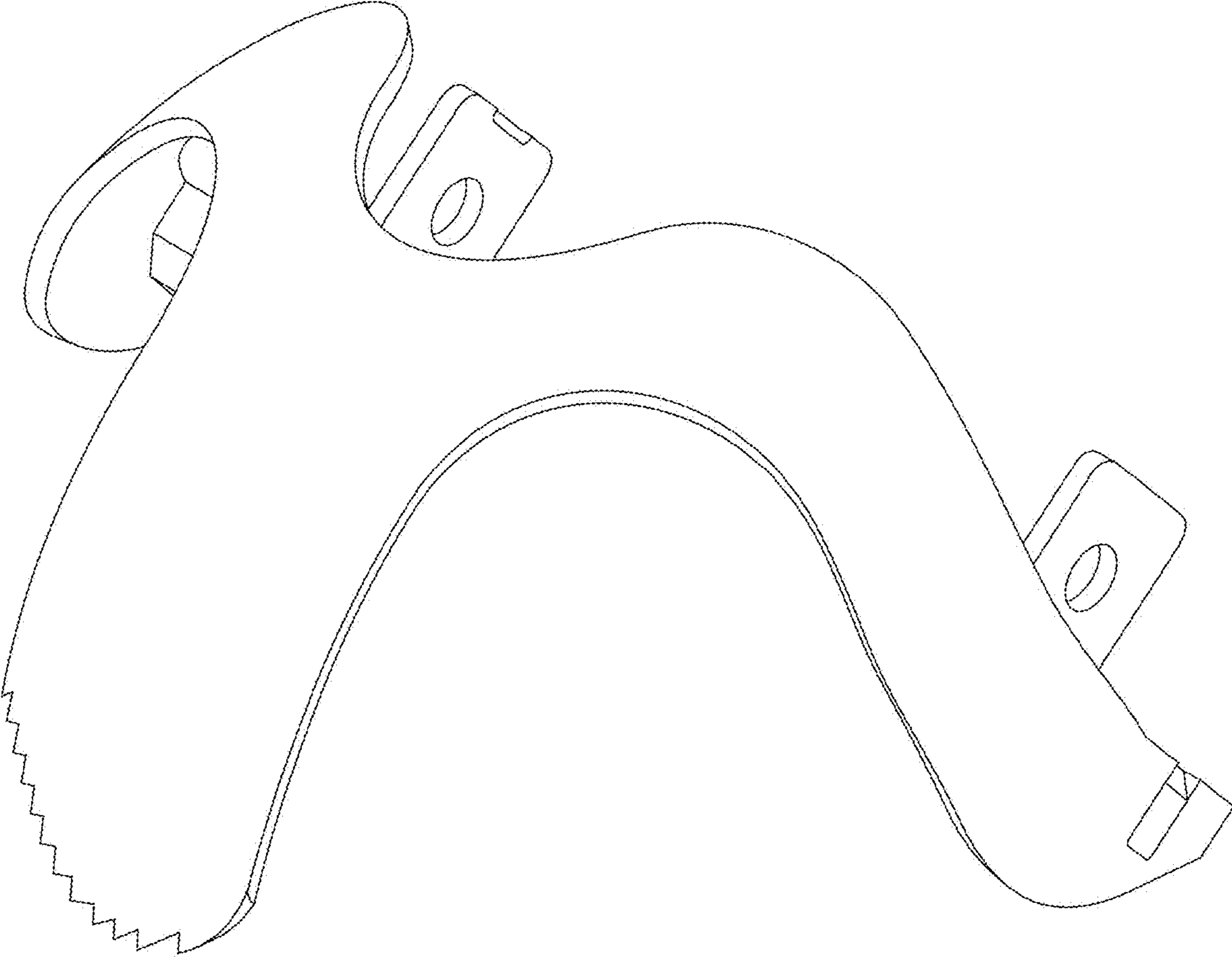
DESCRIPTION

- 1. Cutting blade for the surgery of an artificial hip joint
- 1.1 : Perspective
- 1.2 : Front
- 1.3 : Back
- 1.4 : Top
- 1.5 : Bottom
- 1.6 : Left
- 1.7 : Right

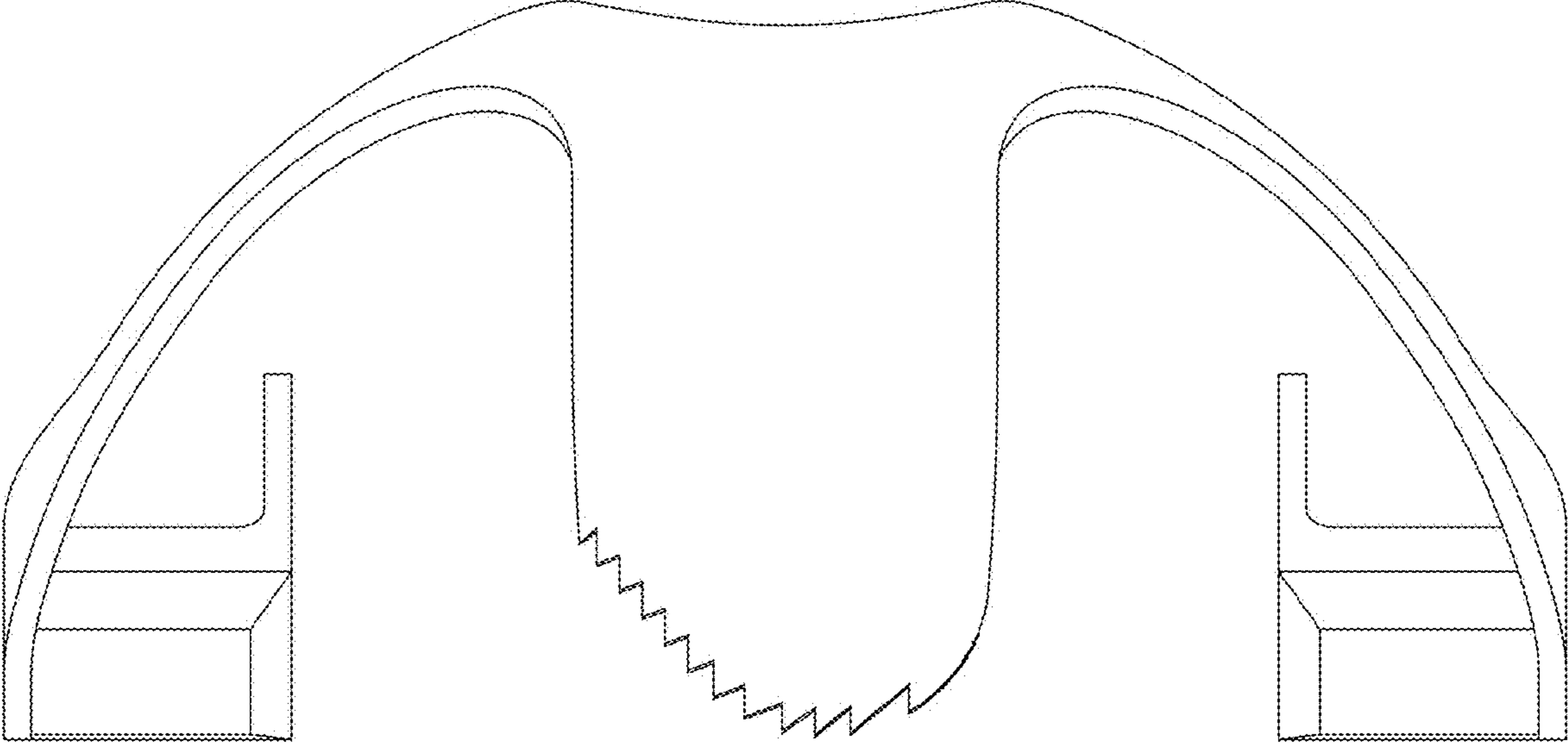
1 Claim, 7 Drawing Sheets



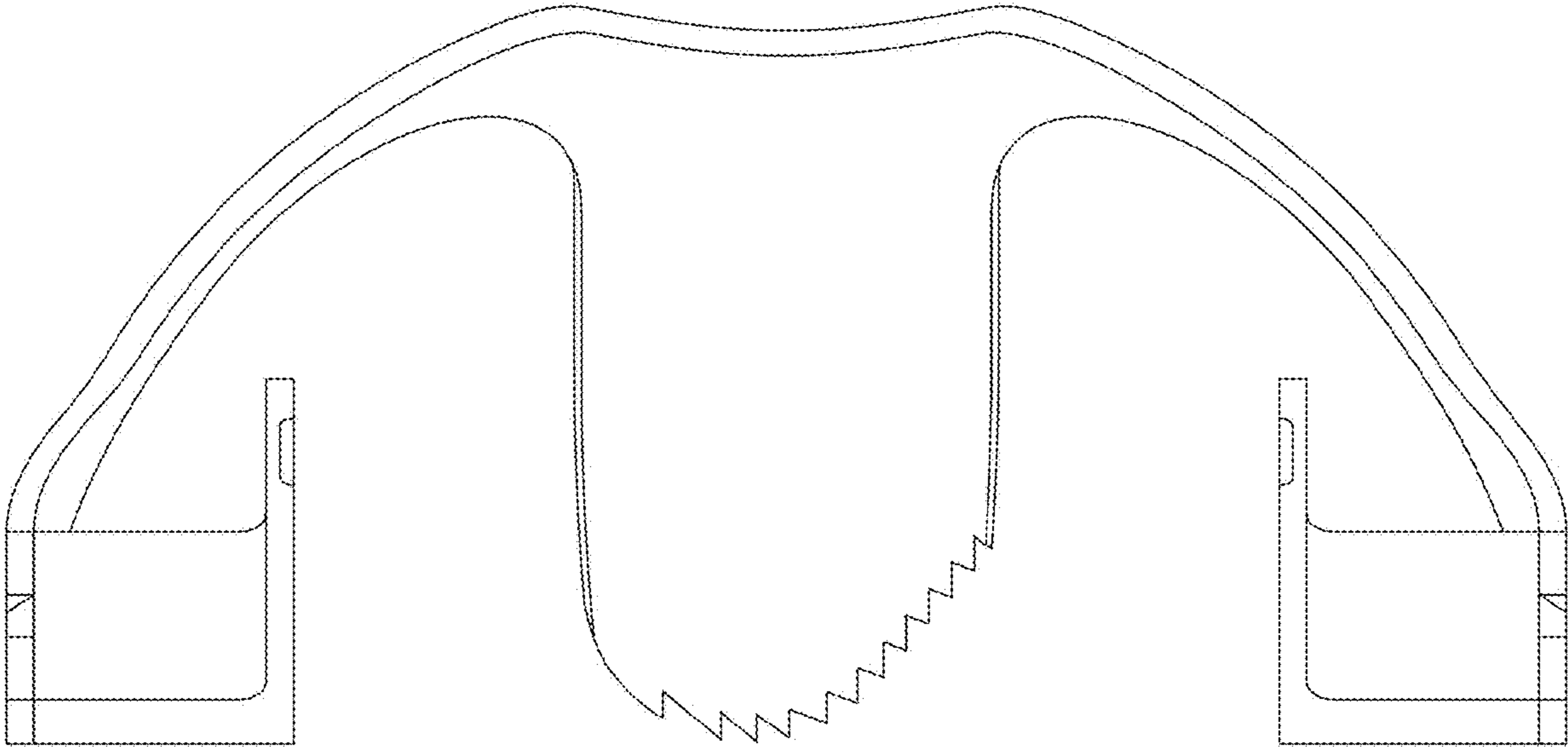
1.1



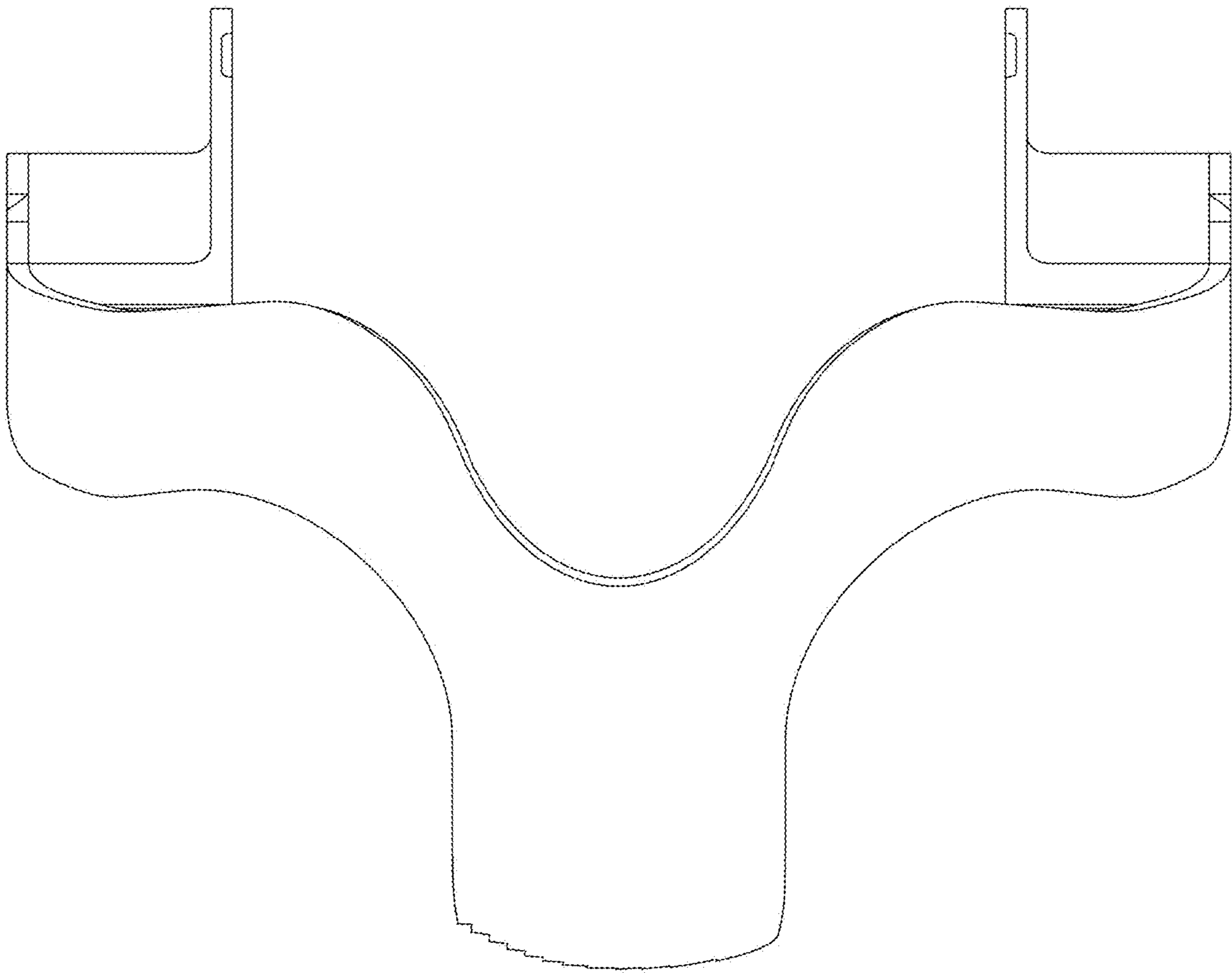
1.2



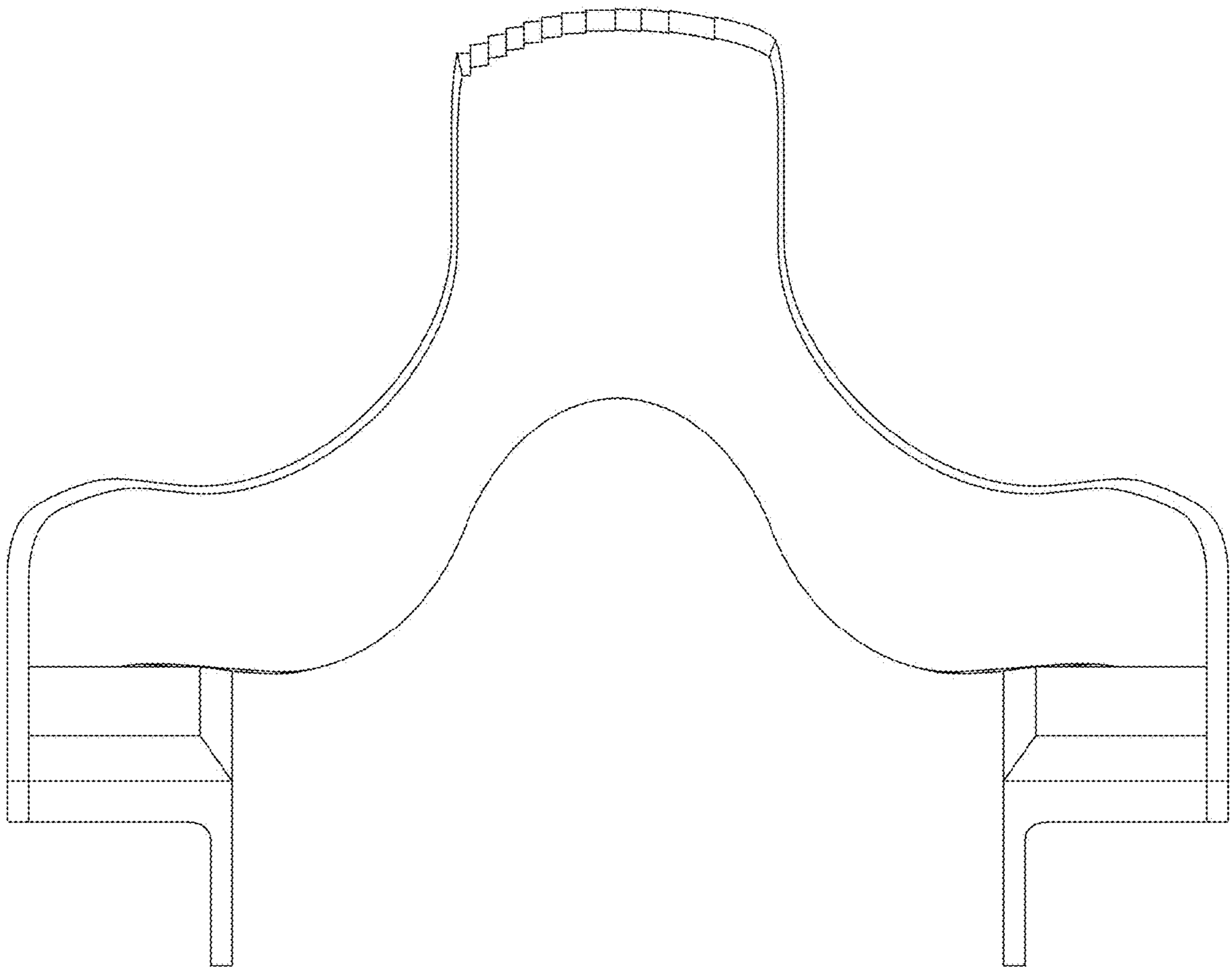
1.3



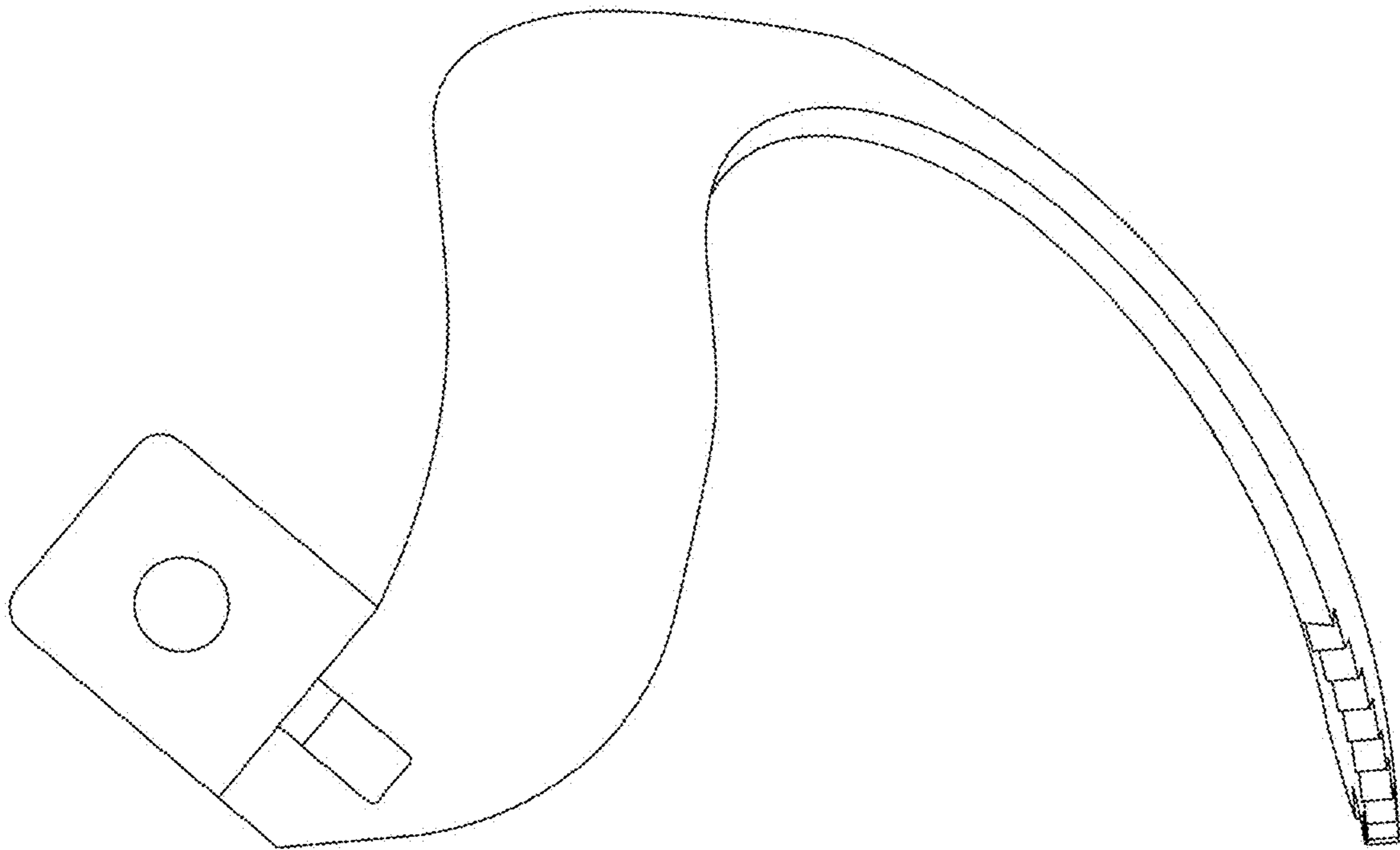
1.4



1.5



1.6



1.7

