



US00D936223S

(12) **United States Design Patent**
Kmak et al.

(10) **Patent No.:** **US D936,223 S**

(45) **Date of Patent:** **** Nov. 16, 2021**

(54) **CALIBRATION TARGET FOR MEDICAL DEVICE**

D684,691 S * 6/2013 Senger D24/140
D857,892 S * 8/2019 Crawford D24/140

* cited by examiner

(71) Applicant: **ViOptix, Inc.**, Newark, CA (US)

Primary Examiner — Bridget L Eland

(72) Inventors: **Stephen Matthew Kmak**, Santa Clara, CA (US); **Joseph G. Santiago**, Fremont, CA (US); **Alex Michael Margiott**, Andover, MA (US)

(74) *Attorney, Agent, or Firm* — Aka Chan LLP

(73) Assignee: **ViOptix, Inc.**, Newark, CA (US)

(57) **CLAIM**

(**) Term: **15 Years**

The ornamental design for a calibration target for medical device, as shown and described.

(21) Appl. No.: **29/720,122**

DESCRIPTION

(22) Filed: **Jan. 9, 2020**

(51) **LOC (13) Cl.** **24-02**

(52) **U.S. Cl.**

USPC **D24/140**

(58) **Field of Classification Search**

USPC D24/140, 133, 135

CPC . A61B 5/02427; A61B 5/742; A61B 1/00057;

A61B 5/02156; A61B 5/1495; A61B

6/58; A61B 6/582; A61B 6/583; A61B

6/585; A61B 8/58; A61B 8/587; A61B

2017/00725; A61B 2034/207

See application file for complete search history.

FIG. 1 is a perspective view of a calibration target for a medical device, showing our new design;

FIG. 2 is a top view of the calibration target for a medical device of FIG. 1;

FIG. 3 is a bottom view of the calibration target for a medical device of FIG. 1;

FIG. 4 is a front view the calibration target for a medical device of FIG. 1;

FIG. 5 is a back view of the calibration target for a medical device of FIG. 1;

FIG. 6 is a left side view of the calibration target for a medical device of FIGS. 1; and,

FIG. 7 is a right side view of the calibration target for a medical device of FIG. 1.

The broken lines in the drawings are for the purpose of illustrating portions of the calibration target for medical device that form no part of the claimed design.

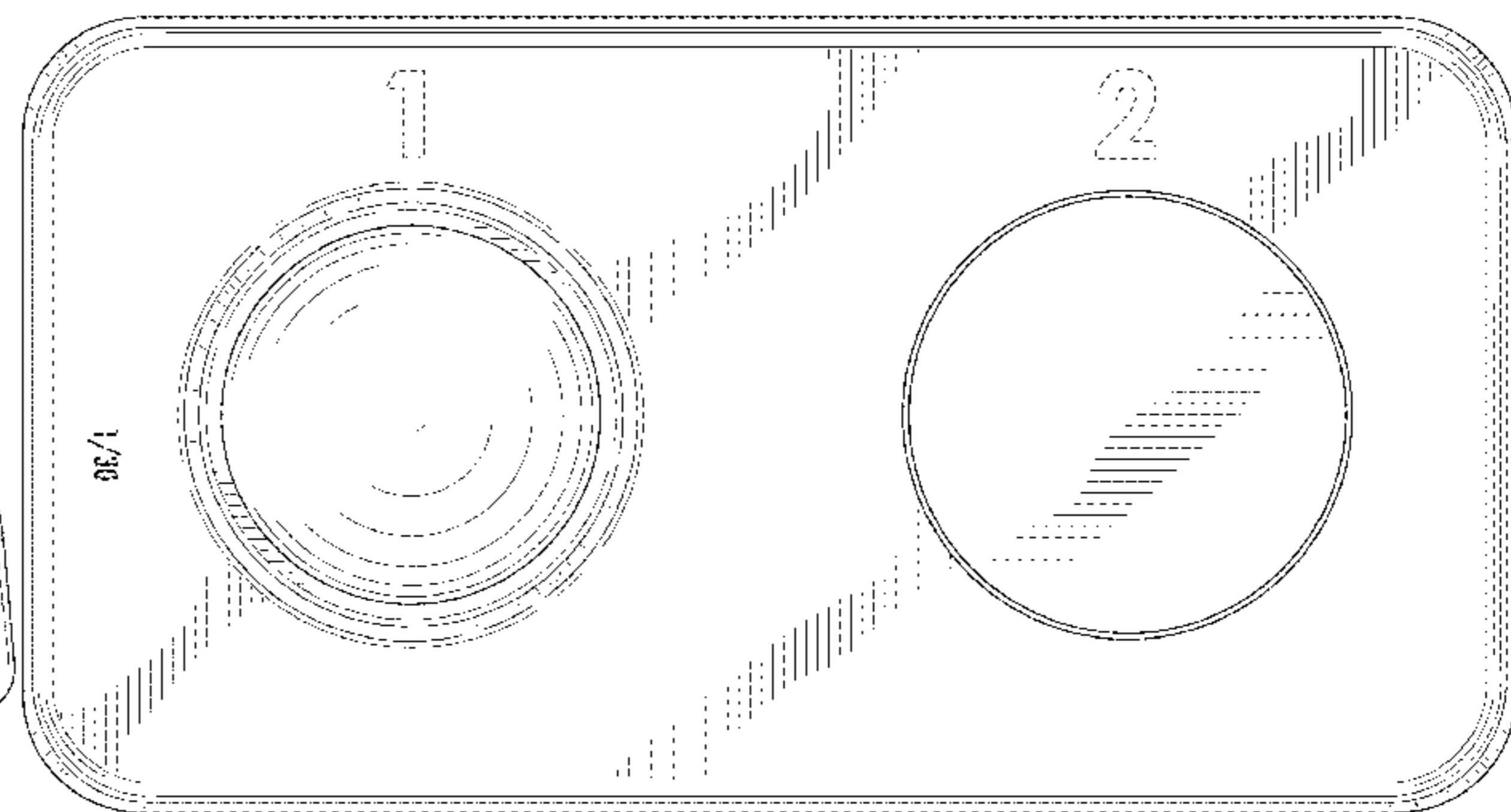
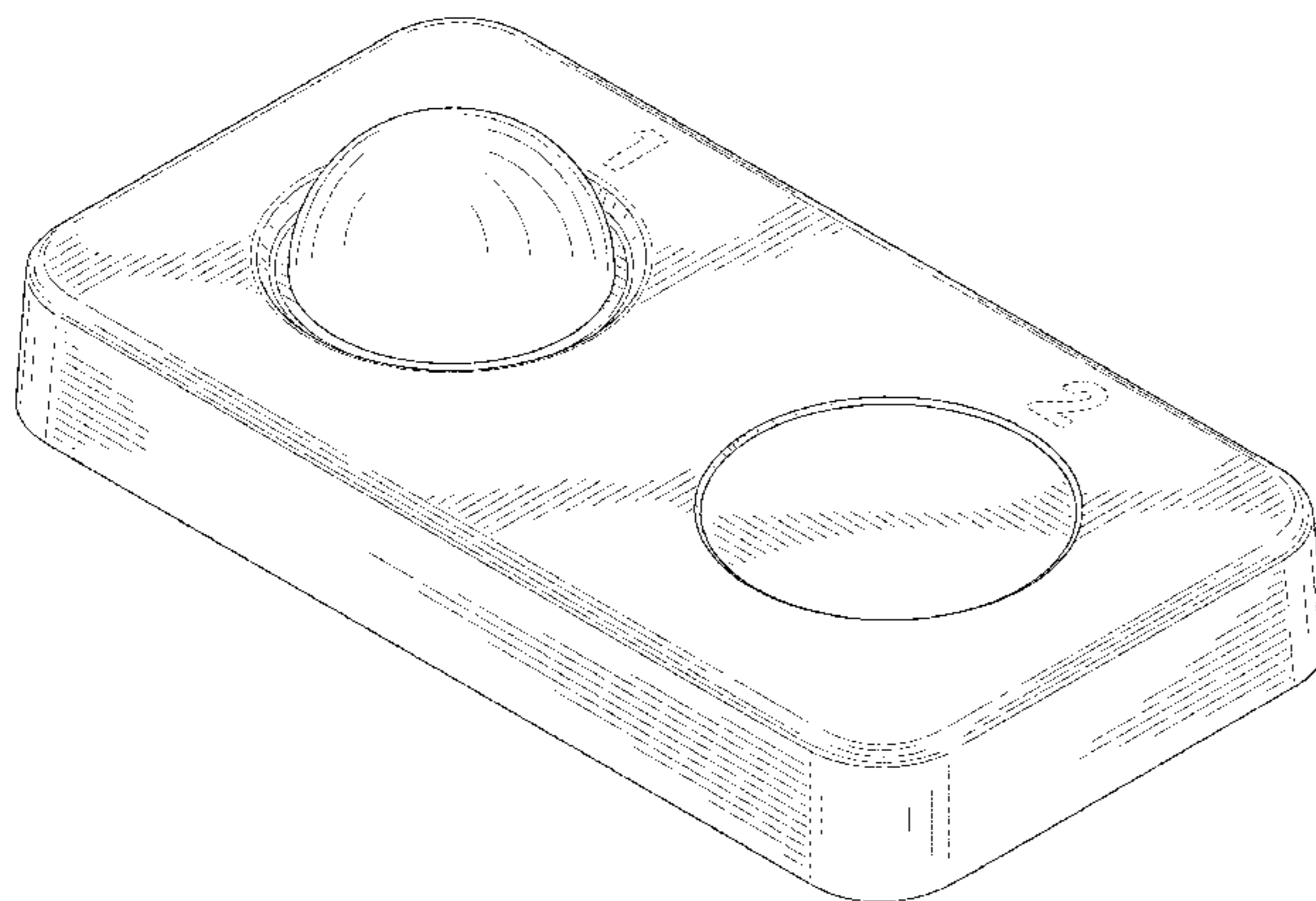
(56) **References Cited**

U.S. PATENT DOCUMENTS

D496,996 S * 10/2004 Jensen D24/133

D684,690 S * 6/2013 Senger D24/140

1 Claim, 6 Drawing Sheets



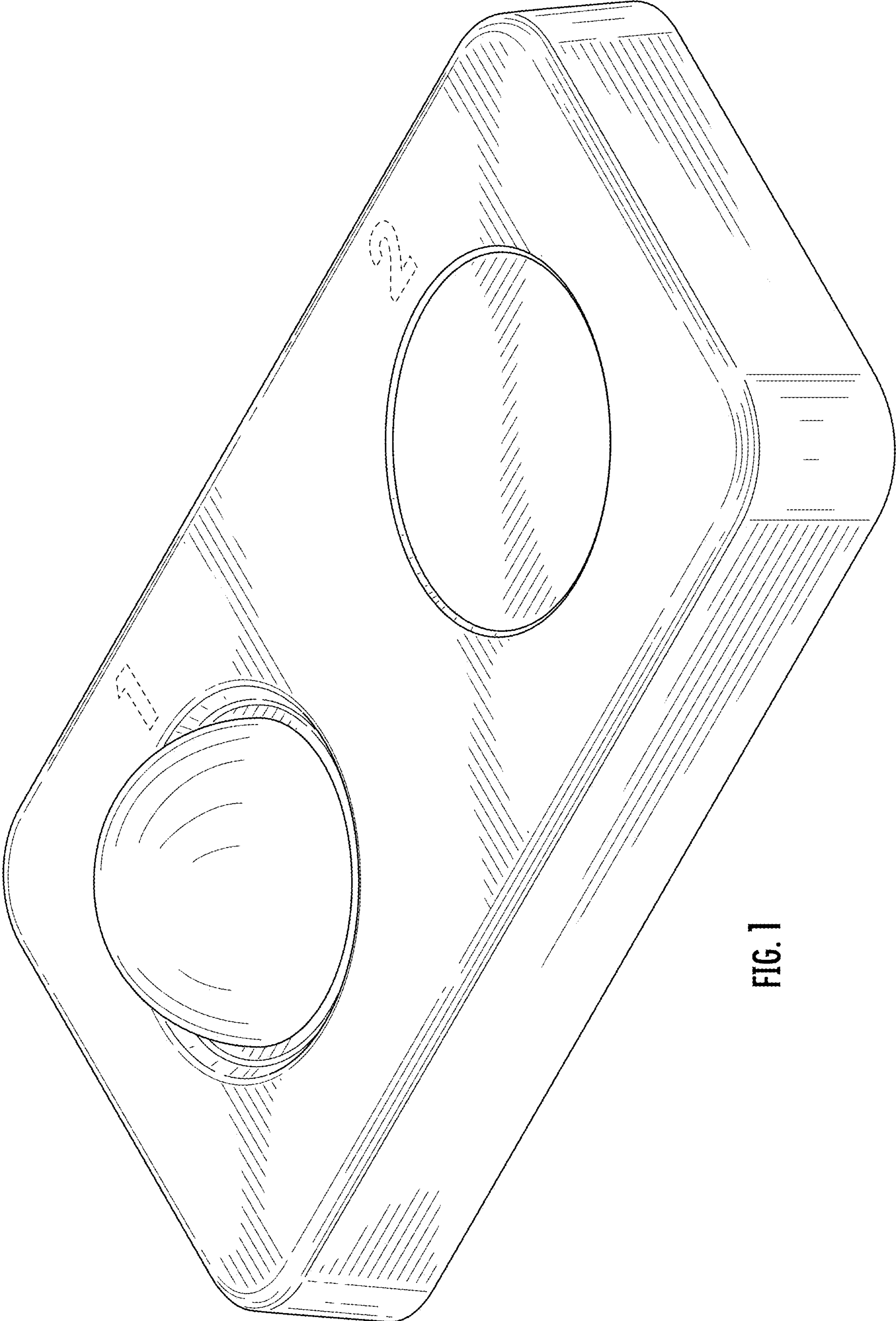


FIG. 1

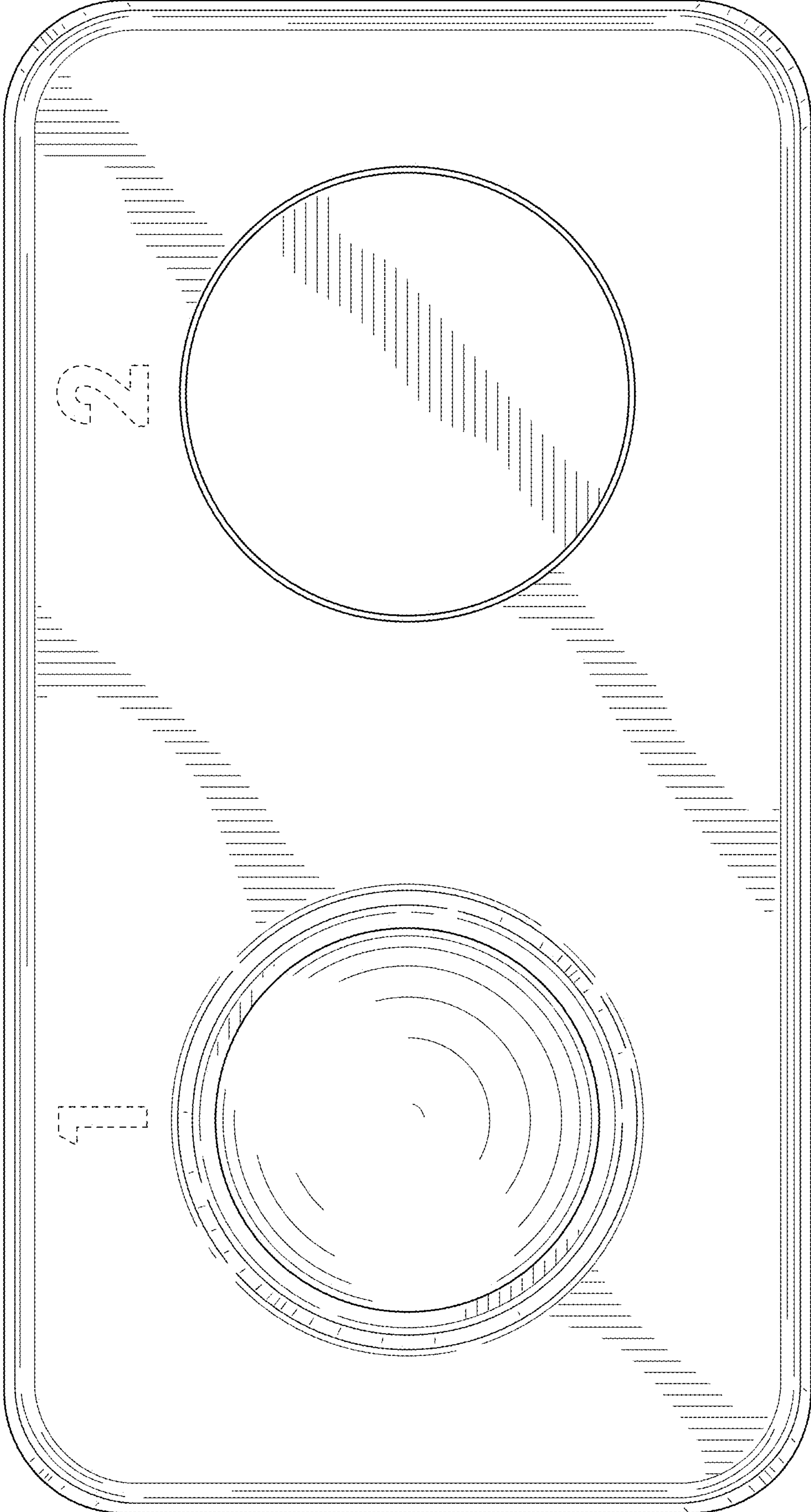


FIG. 2

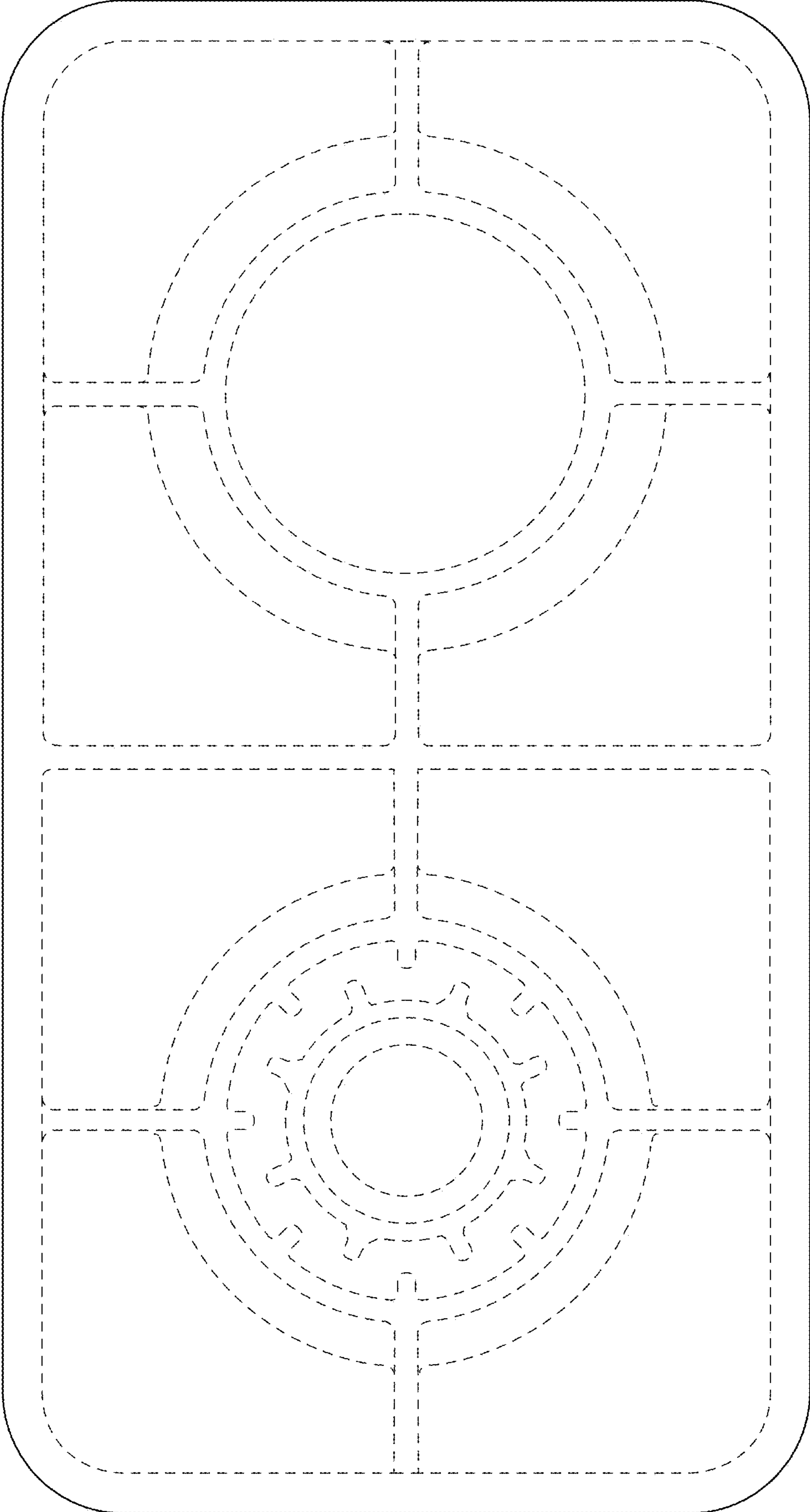


FIG. 3

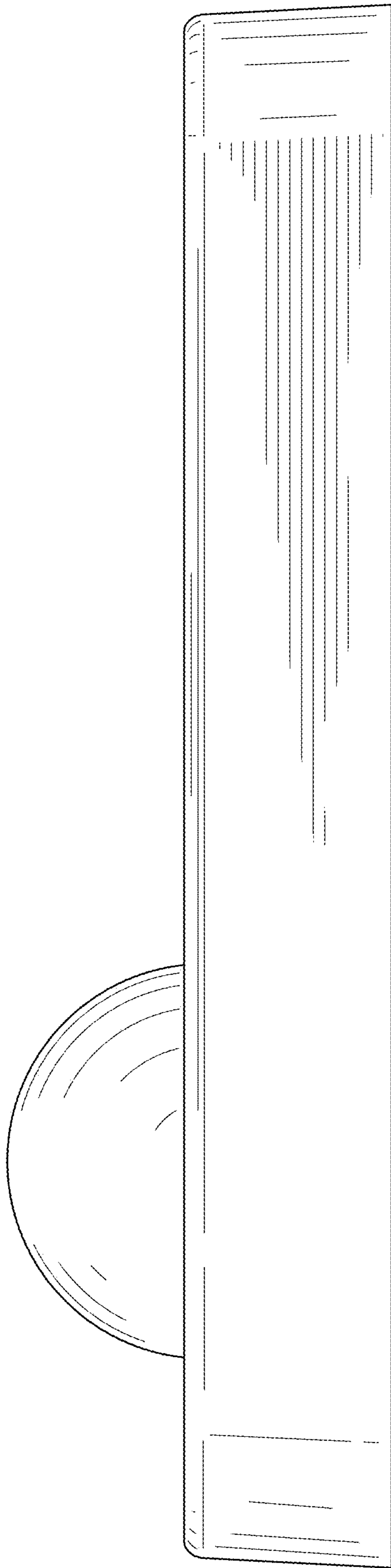


FIG. 4

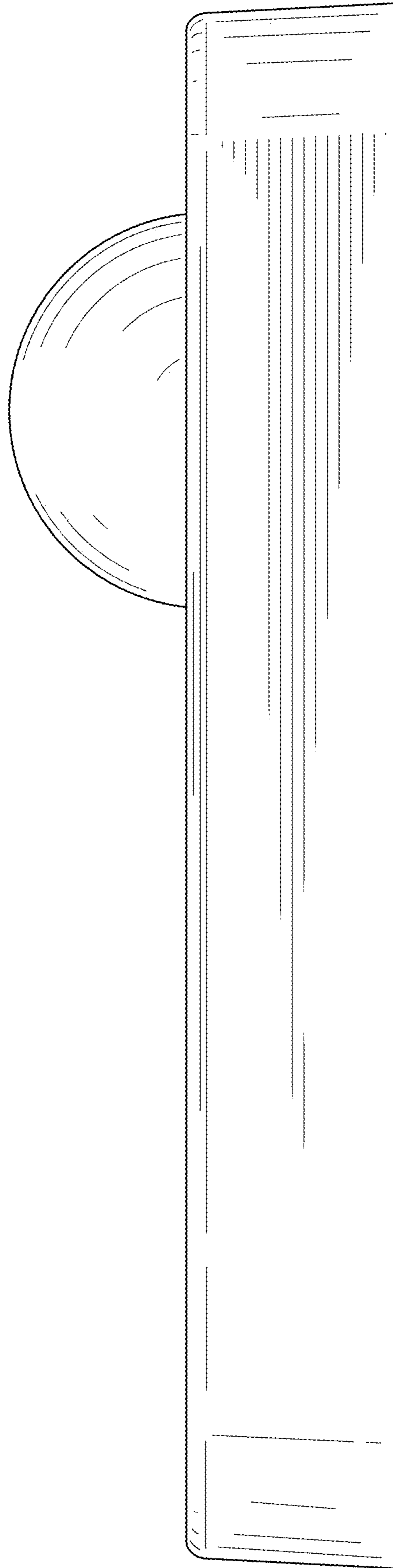


FIG. 5

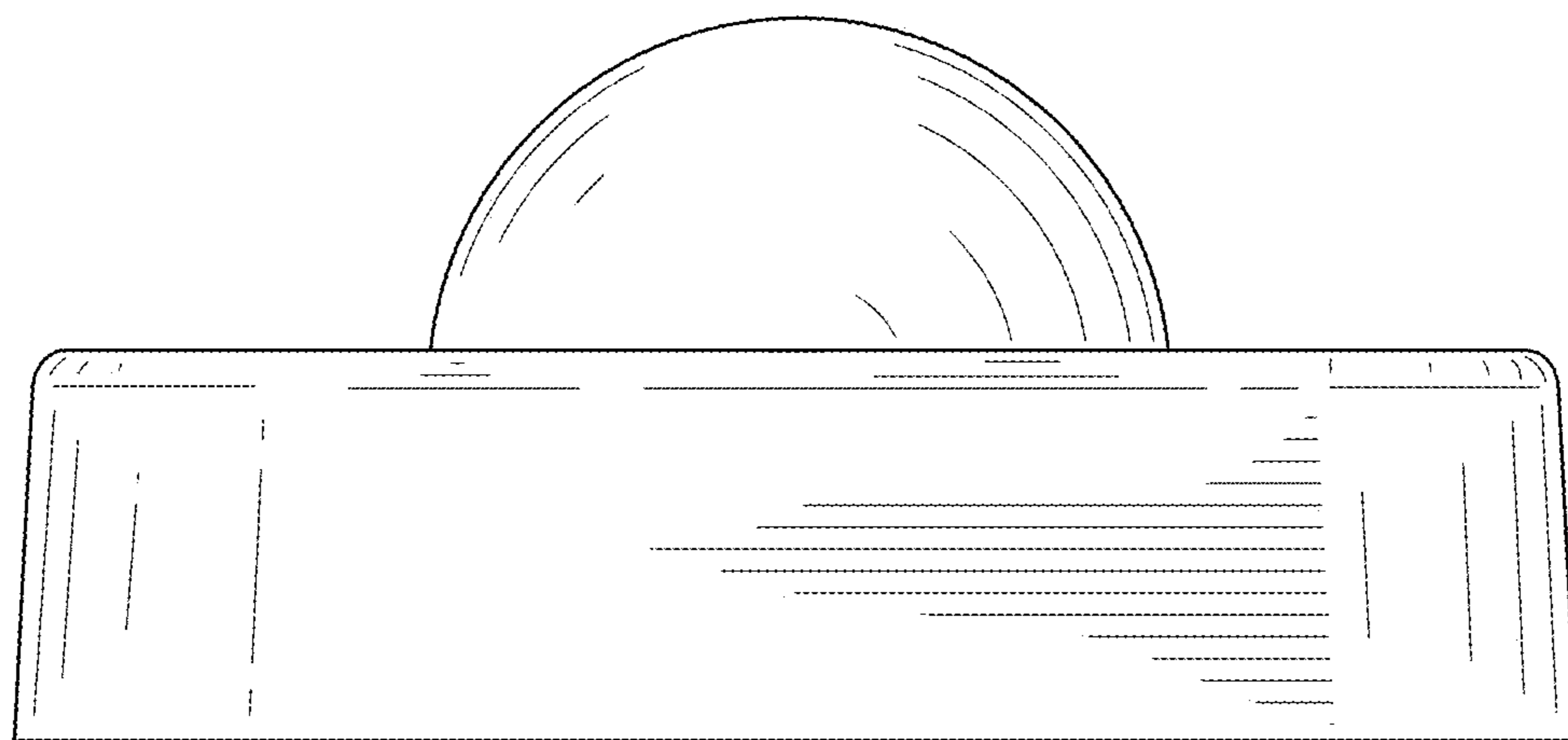


FIG. 6

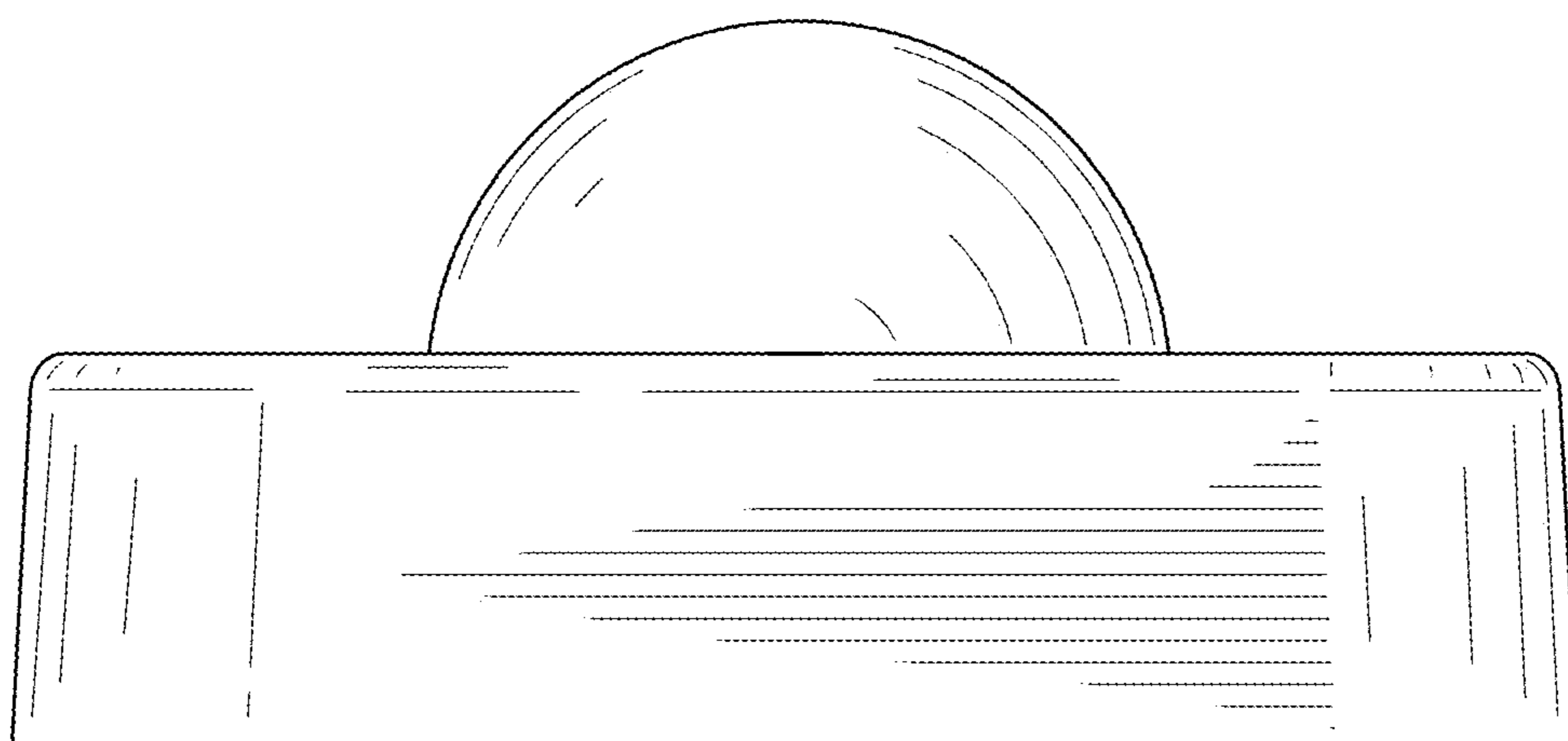


FIG. 7