



US00D936222S

(12) **United States Design Patent** (10) **Patent No.:** **US D936,222 S**  
**Ebrahimi et al.** (45) **Date of Patent:** **\*\* Nov. 16, 2021**

(54) **BENDING TOOL FOR MALLEABLE ENT SURGICAL TOOLS**

(71) Applicant: **Acclarent, Inc.**, Irvine, CA (US)

(72) Inventors: **Babak Ebrahimi**, Irvine, CA (US);  
**Ehsan Shameli**, Irvine, CA (US);  
**Jordan R. Trott**, Redondo Beach, CA (US)

(73) Assignee: **Acclarent, Inc.**, Irvine, CA (US)

(\*\*) Term: **15 Years**

(21) Appl. No.: **29/714,890**

(22) Filed: **Nov. 26, 2019**

(51) **LOC (13) Cl.** ..... **24-02**

(52) **U.S. Cl.**  
 USPC ..... **D24/140**

(58) **Field of Classification Search**  
 USPC ..... D24/140, 133, 135  
 CPC .... G01N 2800/14; A61B 1/227; A61B 17/24;  
 A61B 2018/00327; A61B 5/6815; A61B  
 17/1679; A61B 17/1771; A61B 1/233;  
 A61B 5/6819; A61B 17/1688; A61B  
 17/1785

See application file for complete search history.

(56) **References Cited**

U.S. PATENT DOCUMENTS

D223,875	S	*	6/1972	Halloran	.....	D24/140
D320,658	S	*	10/1991	Quigley	.....	D24/135
D346,979	S	*	5/1994	Stalcup	.....	D10/64
D357,315	S	*	4/1995	Dietz	.....	D10/64
5,669,258	A		9/1997	Luebke		
5,819,571	A		10/1998	Johnson		
6,026,668	A		2/2000	Oda et al.		
7,276,073	B2		10/2007	Adams		

D678,526	S	*	3/2013	Nakaji	.....	D24/155
D679,015	S	*	3/2013	Nakaji	.....	D24/155
9,839,463	B2		12/2017	Dominik et al.		
D879,292	S	*	3/2020	Freitas	.....	D24/140
D893,715	S	*	8/2020	Onorato	.....	D24/140
2008/0188859	A1		8/2008	Reitzig et al.		
2012/0186411	A1		7/2012	Lodahi et al.		
2017/0042597	A1		2/2017	Rinner		

FOREIGN PATENT DOCUMENTS

GB 6090263 \* 5/2020

\* cited by examiner

Primary Examiner — Bridget L Eland

(74) Attorney, Agent, or Firm — Frost Brown Todd LLC

(57) **CLAIM**

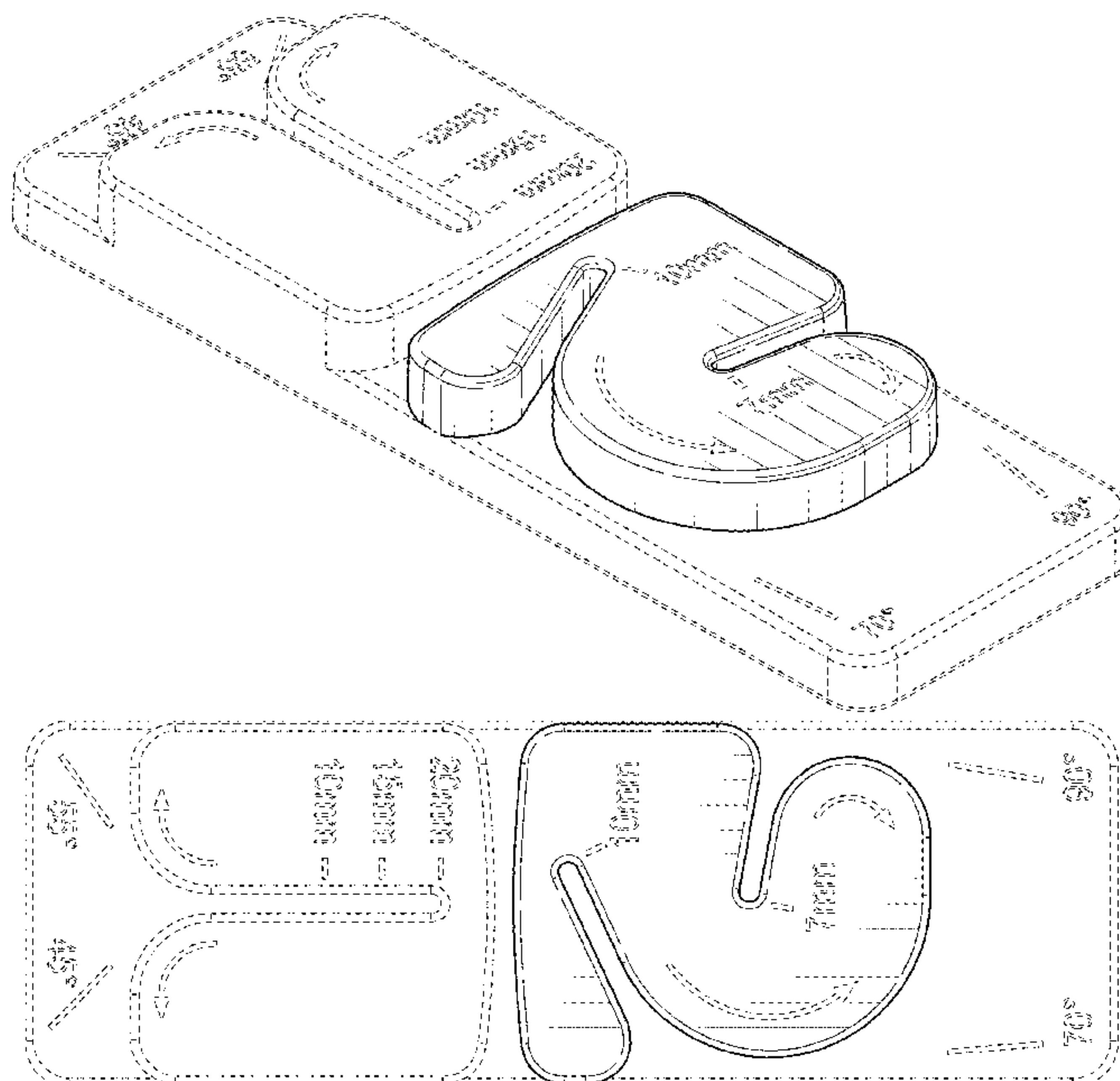
The ornamental design for a bending tool for malleable ENT surgical tools, as shown and described.

**DESCRIPTION**

FIG. 1 is a top perspective view of a bending tool for malleable ENT surgical tools, showing our new design; FIG. 2 is a bottom perspective view thereof; FIG. 3 is a left elevational view thereof; FIG. 4 is a right elevational view thereof; FIG. 5 is a rear elevational view thereof; FIG. 6 is a front elevational view thereof; FIG. 7 is a top plan view thereof; and, FIG. 8 is a bottom plan view thereof.

The evenly spaced broken lines in the drawings depict portions of the bending tool for malleable ENT surgical tools that form no part of the claimed design. The dot-dash-dot lines in the drawings define the boundary of the claim, it being understood that the dot-dash-dot lines themselves form no part of the claimed design.

**1 Claim, 5 Drawing Sheets**



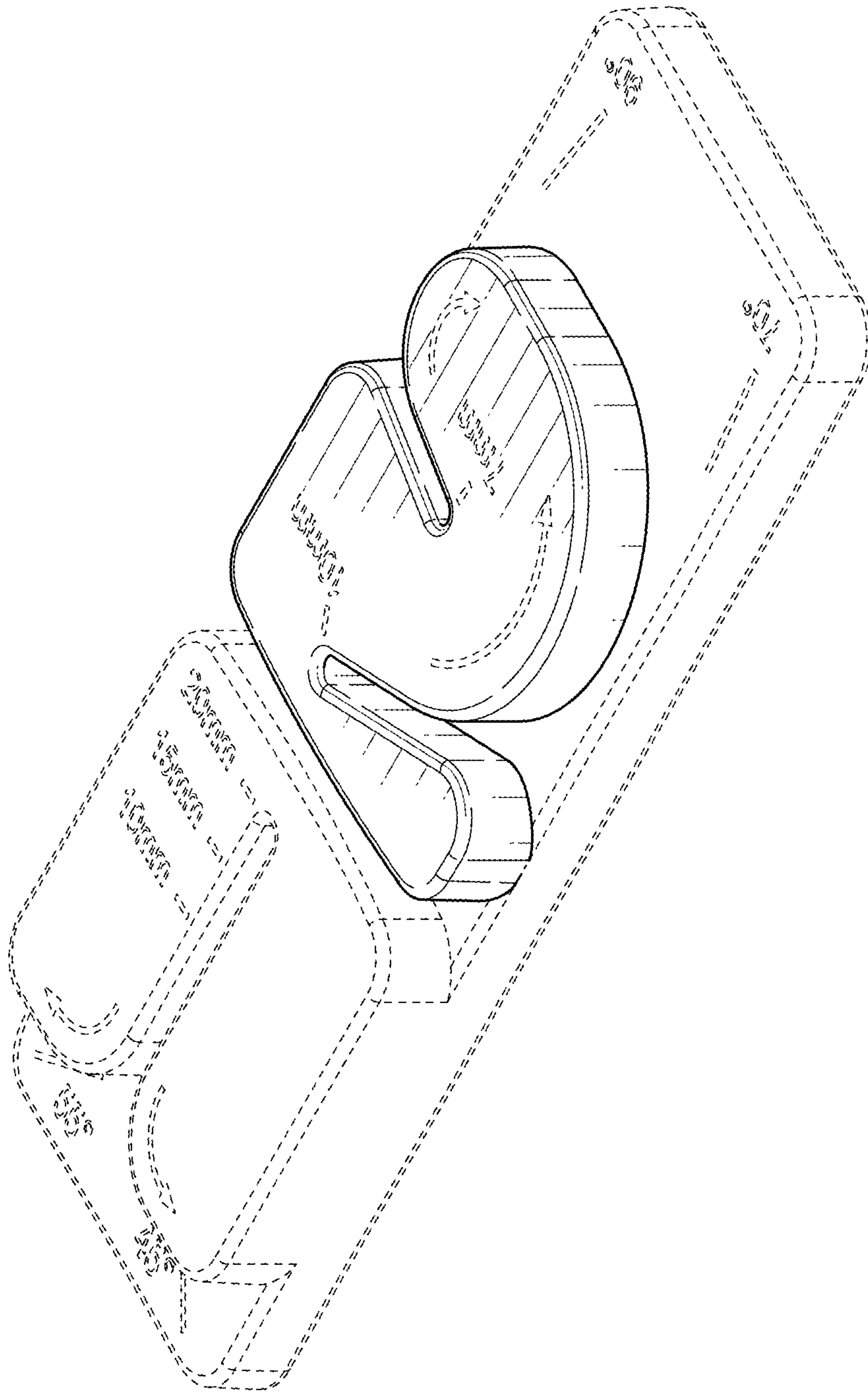


FIG. 1

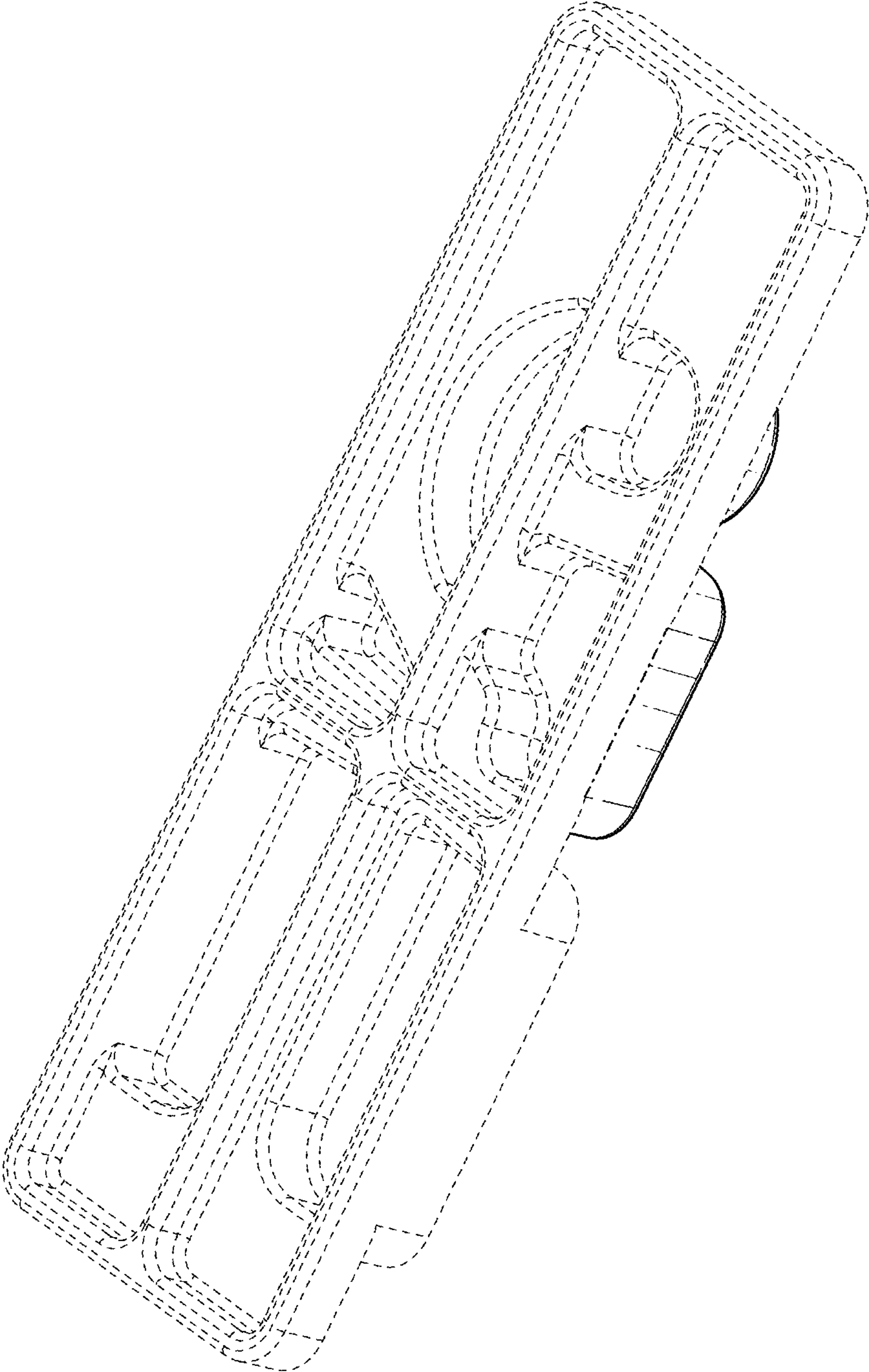


FIG. 2

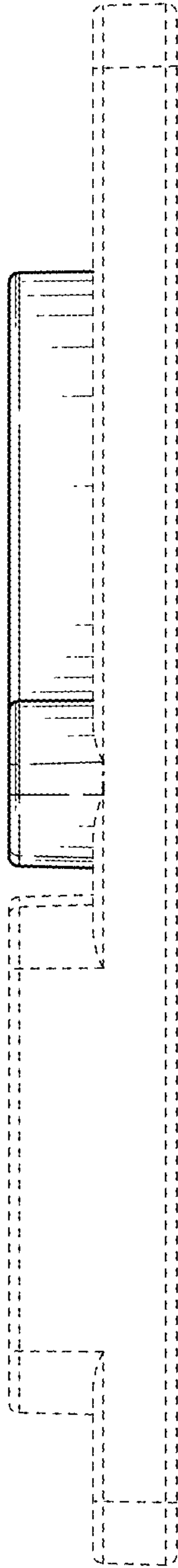


FIG. 3

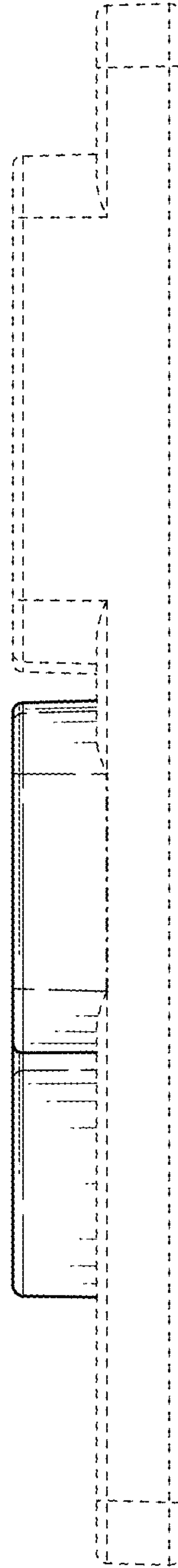
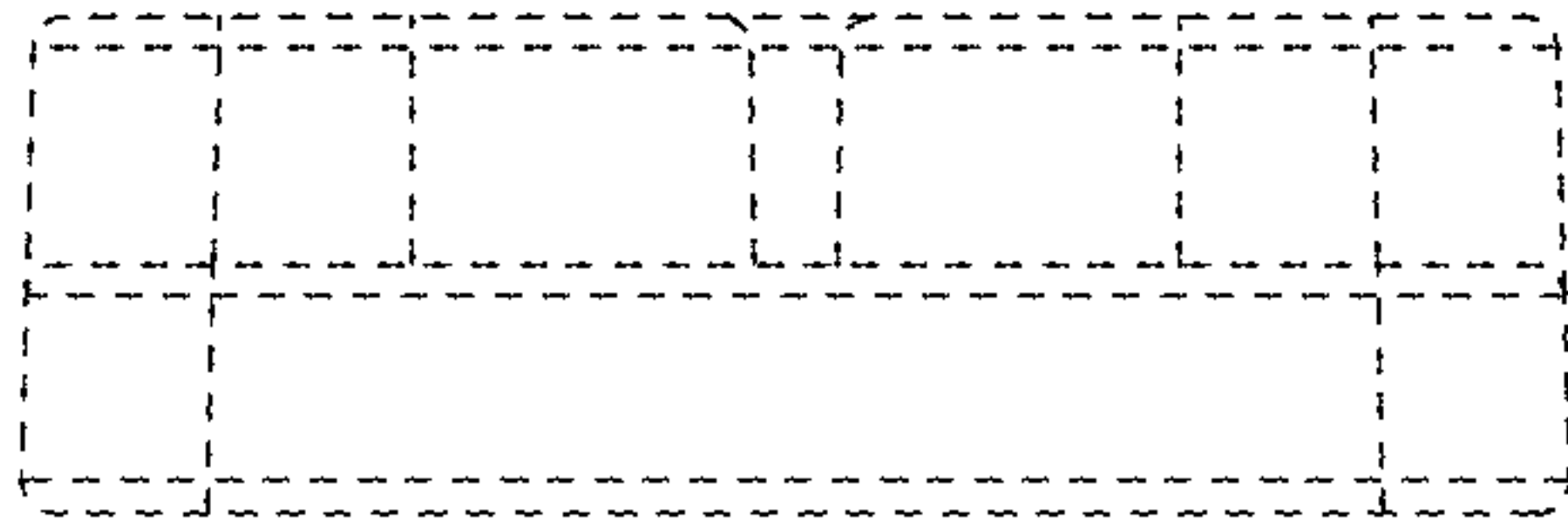
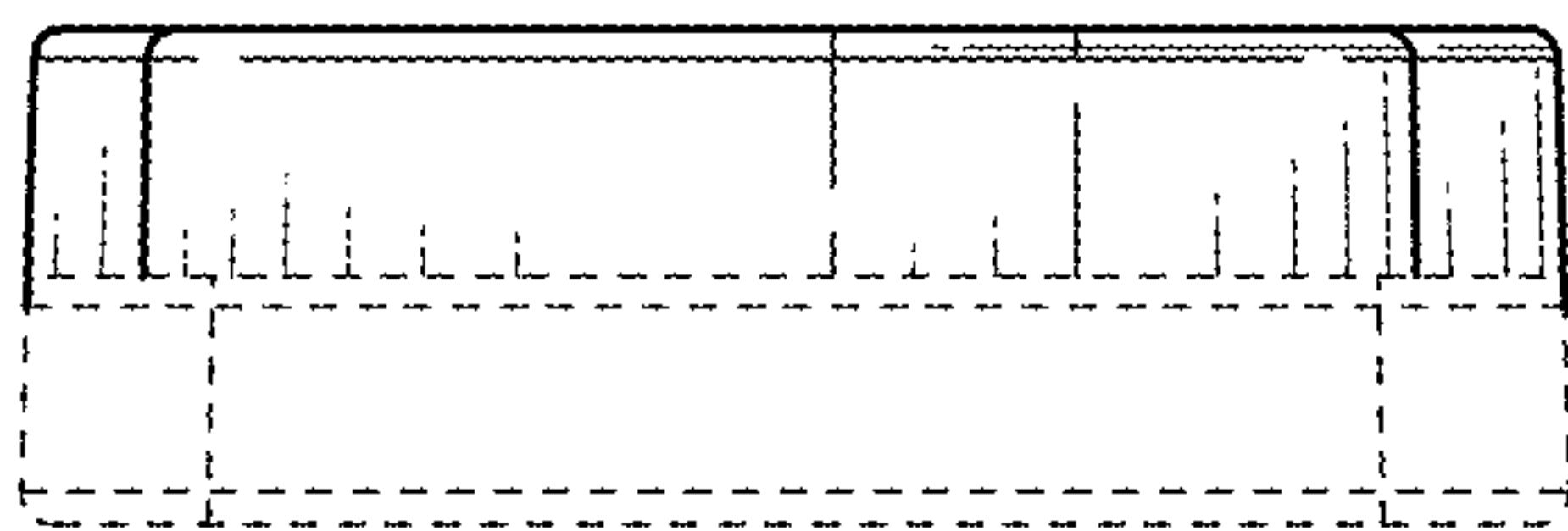


FIG. 4



**FIG. 5**



**FIG. 6**



