



US00D936210S

(12) **United States Design Patent**  
**Yu**

(10) **Patent No.:** **US D936,210 S**  
(45) **Date of Patent:** **\*\* Nov. 16, 2021**

(54) **ORAL IRRIGATOR**

(71) Applicant: **Lei Yu**, Shenzhen (CN)  
(72) Inventor: **Lei Yu**, Shenzhen (CN)  
(73) Assignee: **Shenzhen Yuxinyuan Electronic Technology Co., Ltd.**, Shenzhen (CN)

(\*\*) Term: **15 Years**

(21) Appl. No.: **29/731,563**

(22) Filed: **Apr. 16, 2020**

(51) **LOC (13) Cl.** ..... **28-03**

(52) **U.S. Cl.**  
USPC ..... **D24/111**

(58) **Field of Classification Search**

USPC ..... D24/111, 108, 112-115, 117, 152, 176;  
D4/100, 101

CPC ... A61C 15/046; A61C 15/047; A61C 15/048;  
A61C 17/00; A61C 17/005; A61C 17/02;  
A61C 17/0202; A61C 17/0205; A61C  
17/0211; A61C 17/16; A61C 17/22; A61C  
17/222; A61C 17/225; A61C 17/227;  
A61C 17/28; A61C 17/32; A61C 17/34;  
A61C 17/36

See application file for complete search history.

(56) **References Cited**

**U.S. PATENT DOCUMENTS**

D833,000 S \* 11/2018 Porter ..... D24/111  
D867,579 S \* 11/2019 Porter ..... D24/111  
D893,017 S \* 8/2020 Porter ..... D24/111  
D913,485 S \* 3/2021 Senff ..... D24/111  
2018/0168785 A1\* 6/2018 Wagner ..... A61C 17/0202

**FOREIGN PATENT DOCUMENTS**

EM 006621678-0002 \* 7/2019

**OTHER PUBLICATIONS**

Water Flossers for Teeth by AUPO. Amazon. Oldest review date: Mar. 11, 2021. Retrieval date: Apr. 30, 2021. Retrieved from internet: <https://www.amazon.com/AUPO-Irrigator-Detachable-Countertop-Travel-10/dp/B08QMXDMTT> (Year: 2021).  
Water Dental Flosser for Teeth by Kirapure. Amazon. Oldest review date: Aug. 12, 2020. Retrieval date: Apr. 30, 2021. Retrieved from internet: <https://www.amazon.com/Irrigator-Cordless-Rechargeable-Professional-Adjustable/dp/B088R5YRMJ> (Year: 2020).  
Upgrade Oral Irrigator Teeth Cleaner by YOUNGDO. Amazon. Oldest review date: Aug. 6, 2020. Retrieval date: Apr. 30, 2021. Retrieved from internet: <https://www.amazon.com/Flosser-YOUNGDO-Upgrade-Irrigator-Cleaner/dp/B088R66DTL> (Year: 2020).\*

\* cited by examiner

*Primary Examiner* — Eric L Goodman  
*Assistant Examiner* — Lee D. Starr

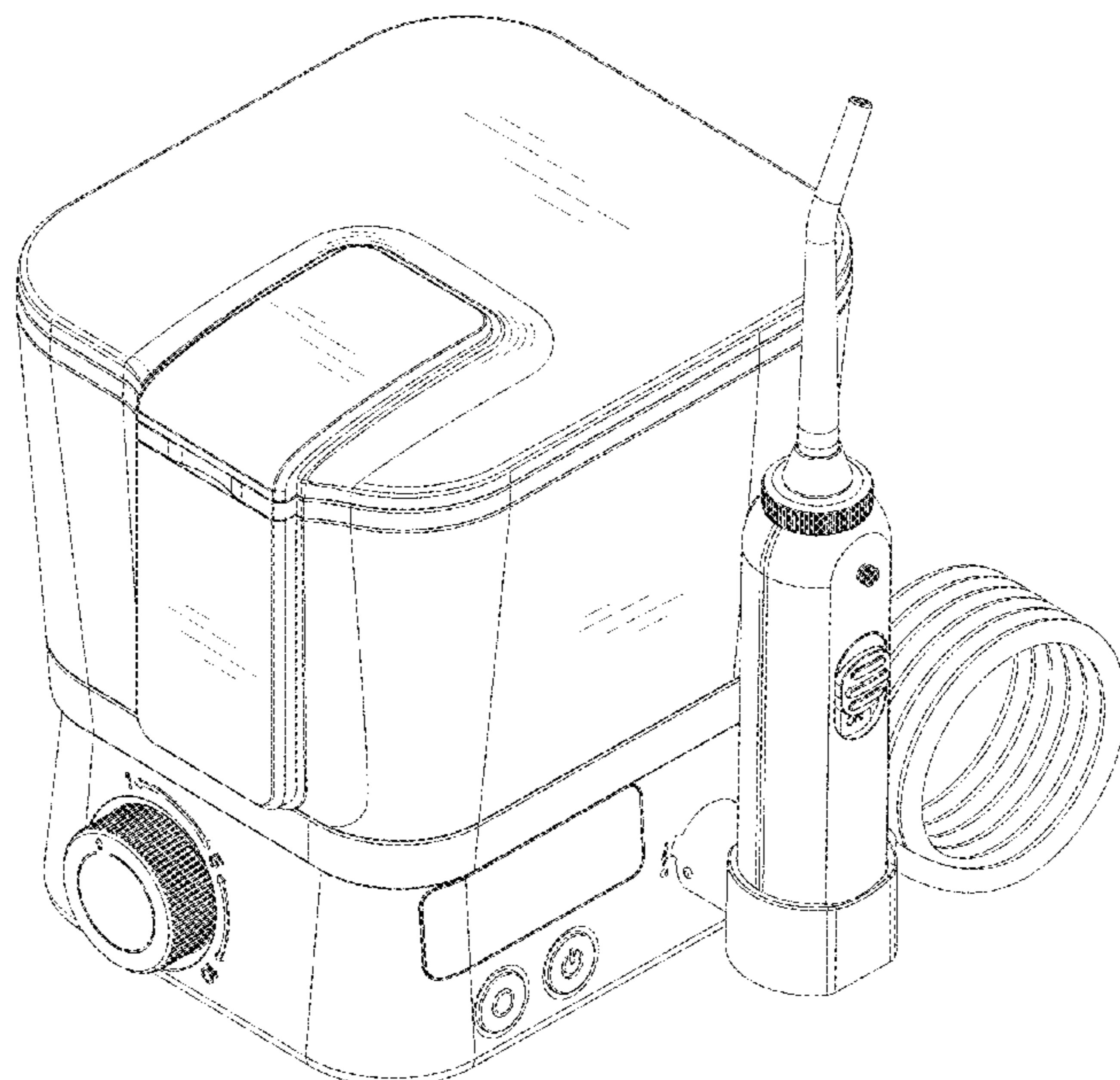
(57) **CLAIM**

The ornamental design for an oral irrigator, as shown and described.

**DESCRIPTION**

FIG. 1 is a front, top perspective view of an oral irrigator showing my new design;  
FIG. 2 is a rear, bottom perspective view thereof;  
FIG. 3 is a front elevational view thereof;  
FIG. 4 is a rear elevational view thereof;  
FIG. 5 is a left side elevational view thereof;  
FIG. 6 is a right side elevational view thereof;  
FIG. 7 is a top plan view thereof;  
FIG. 8 is a bottom plan view thereof; and,  
FIG. 9 is an exploded perspective view thereof, shown with the tip separated from the oral irrigator.

**1 Claim, 9 Drawing Sheets**



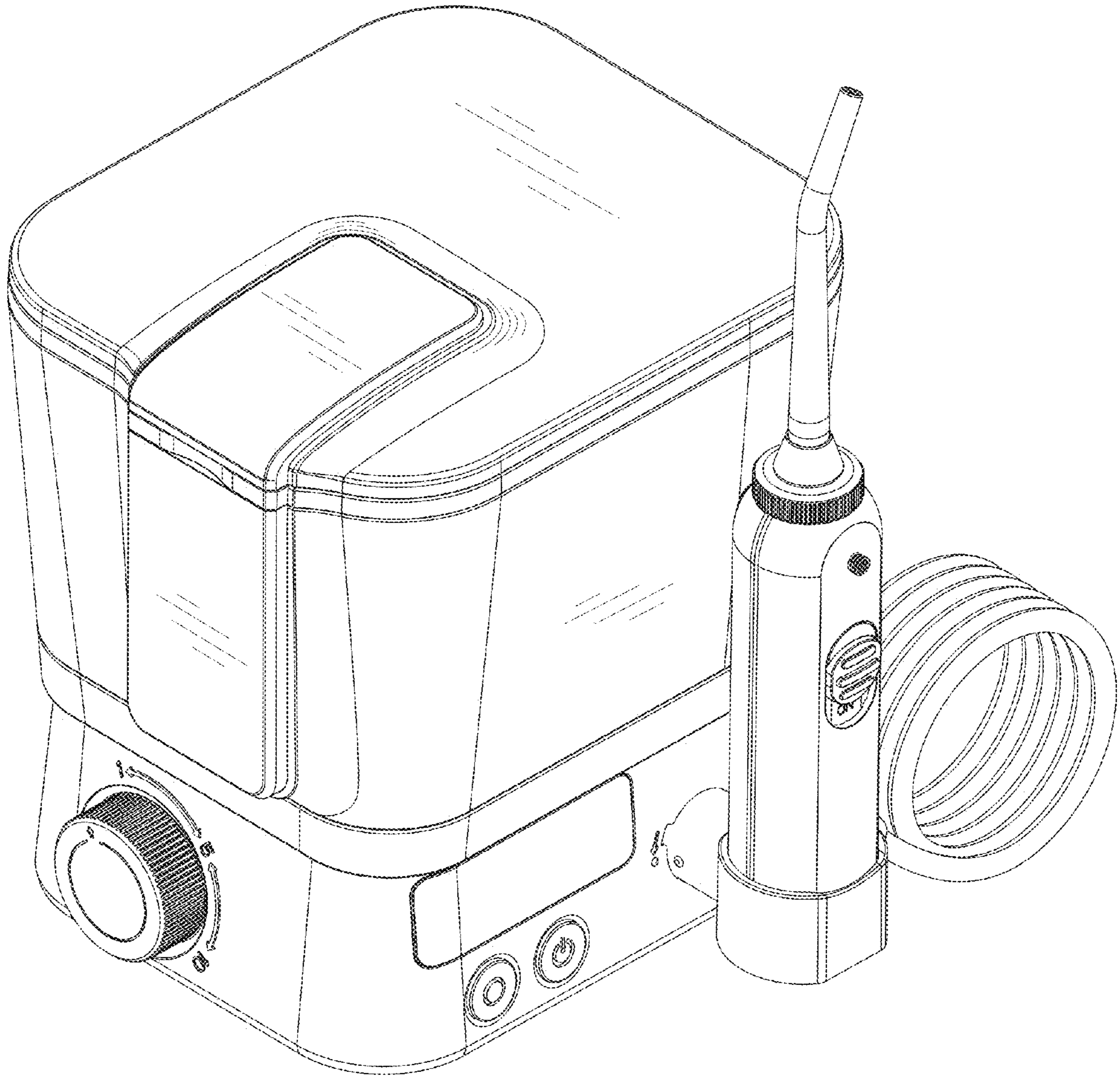


FIG. 1



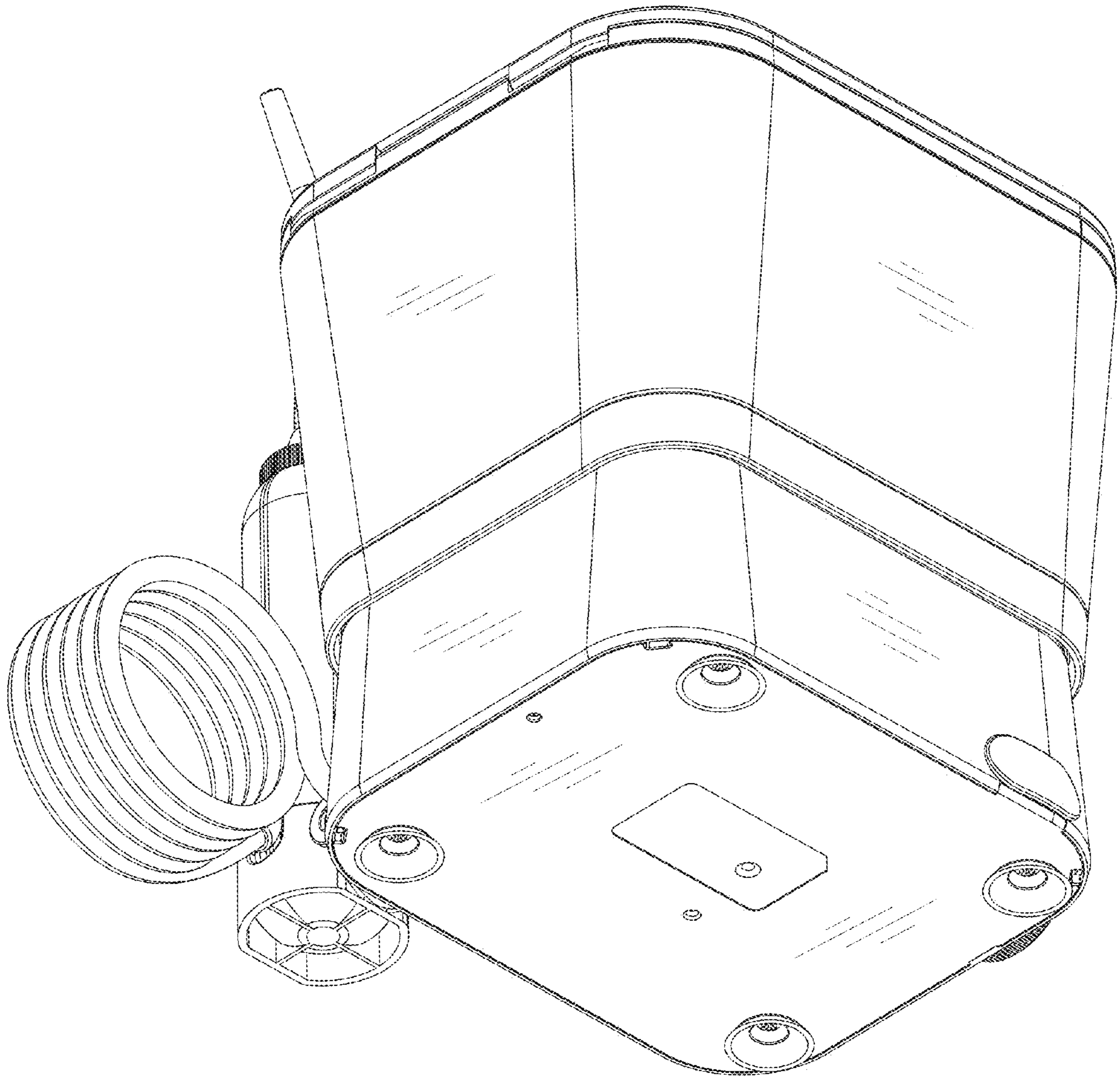


FIG. 2

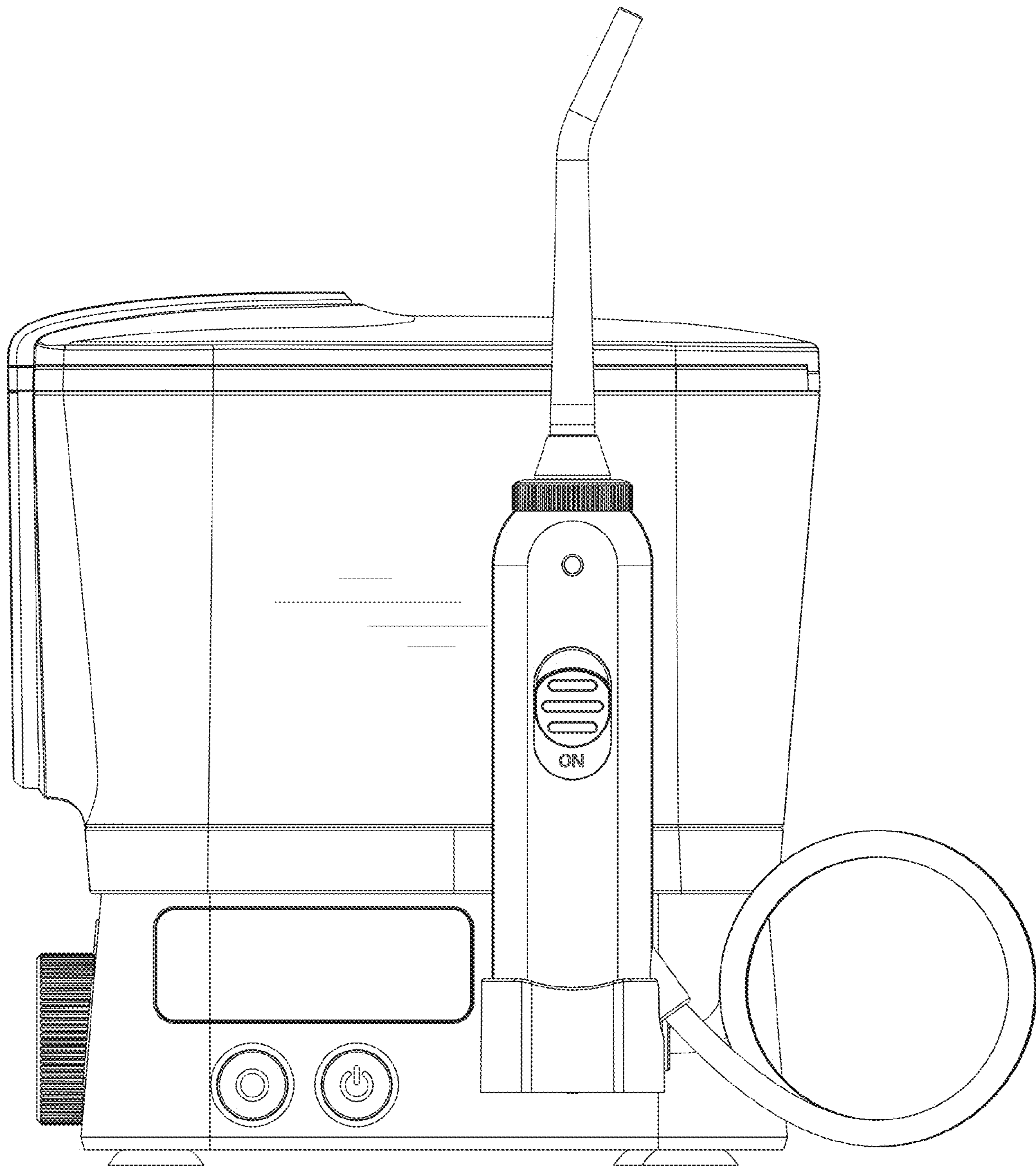


FIG. 3

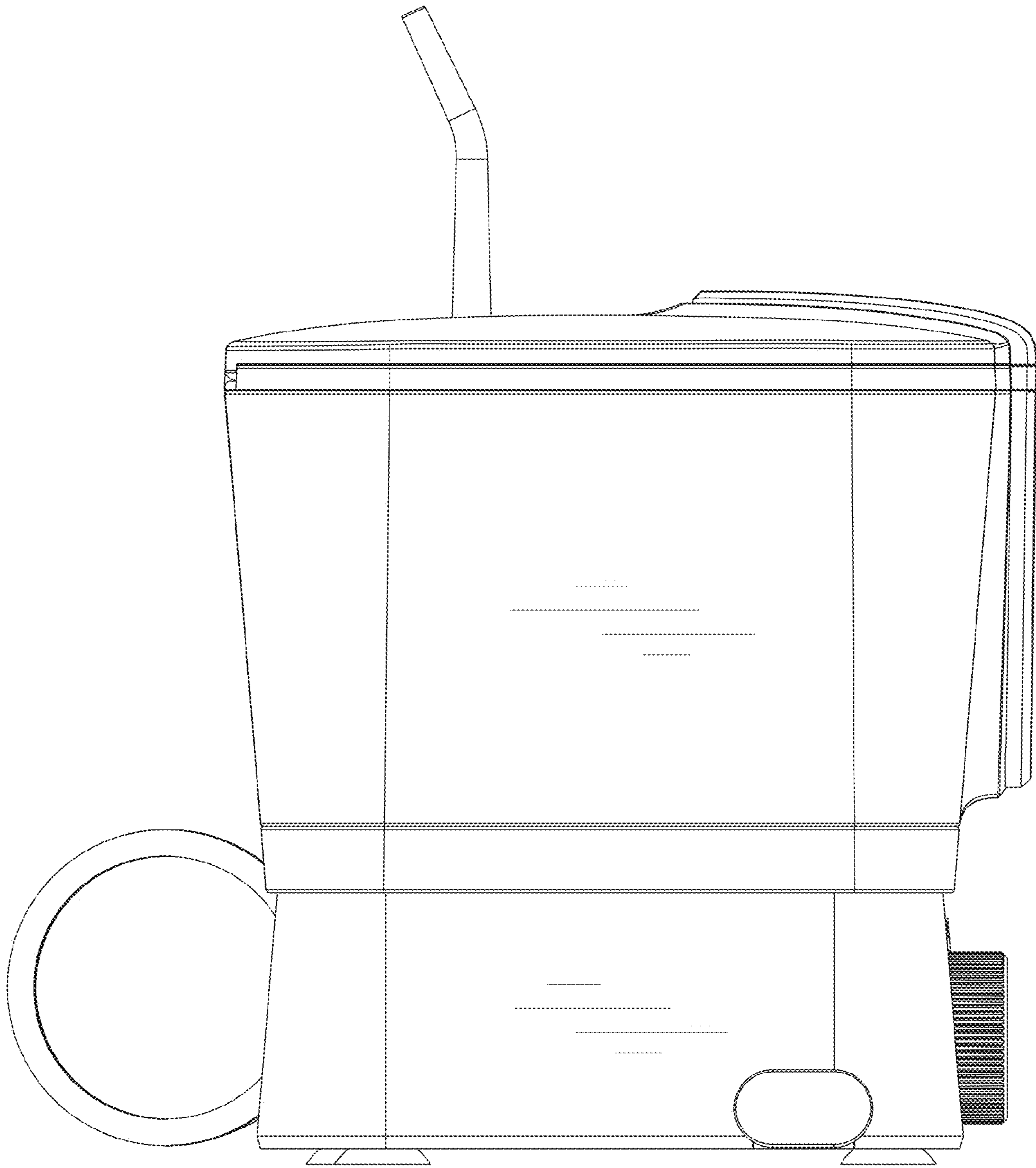


FIG. 4

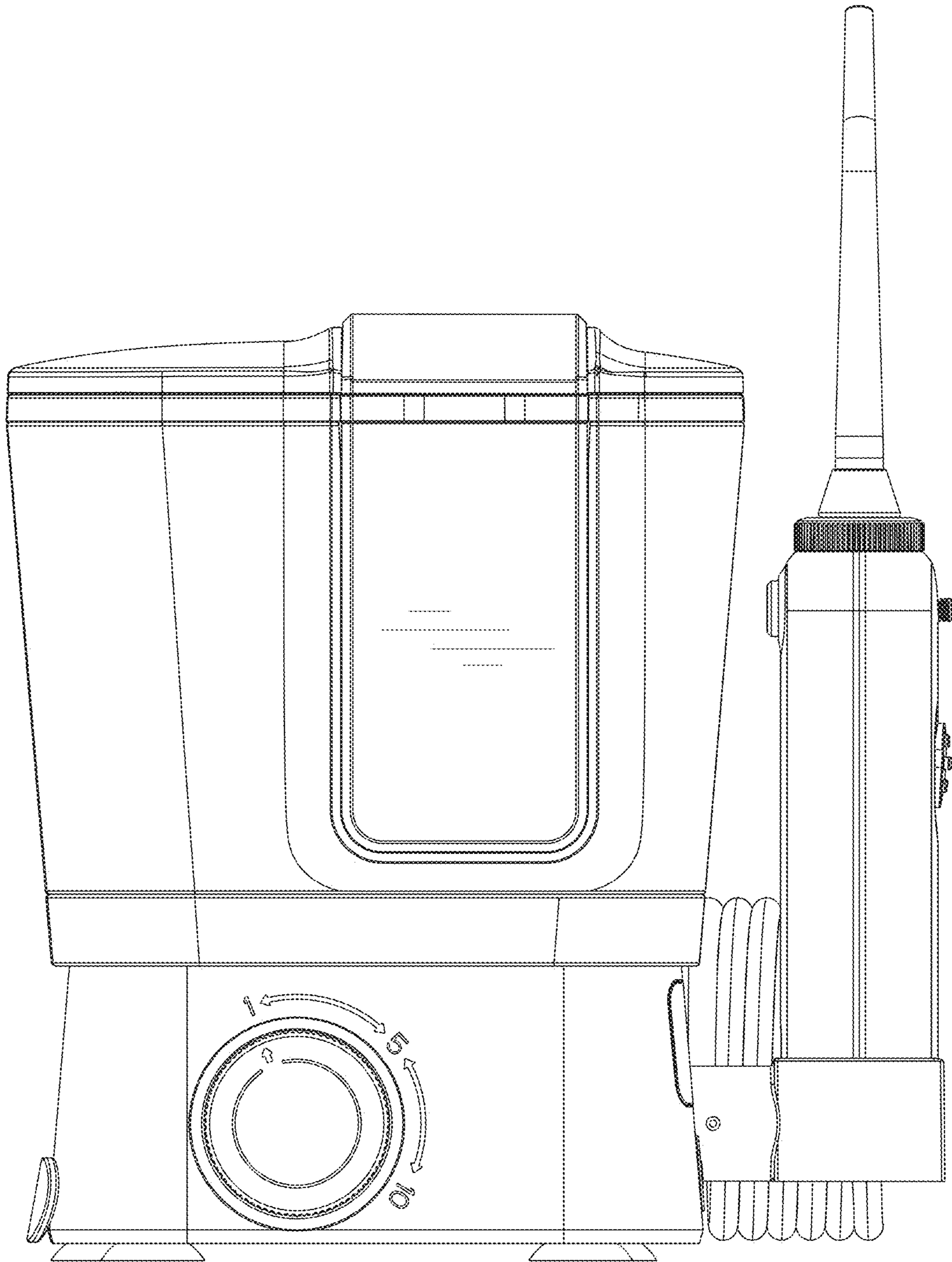


FIG. 5



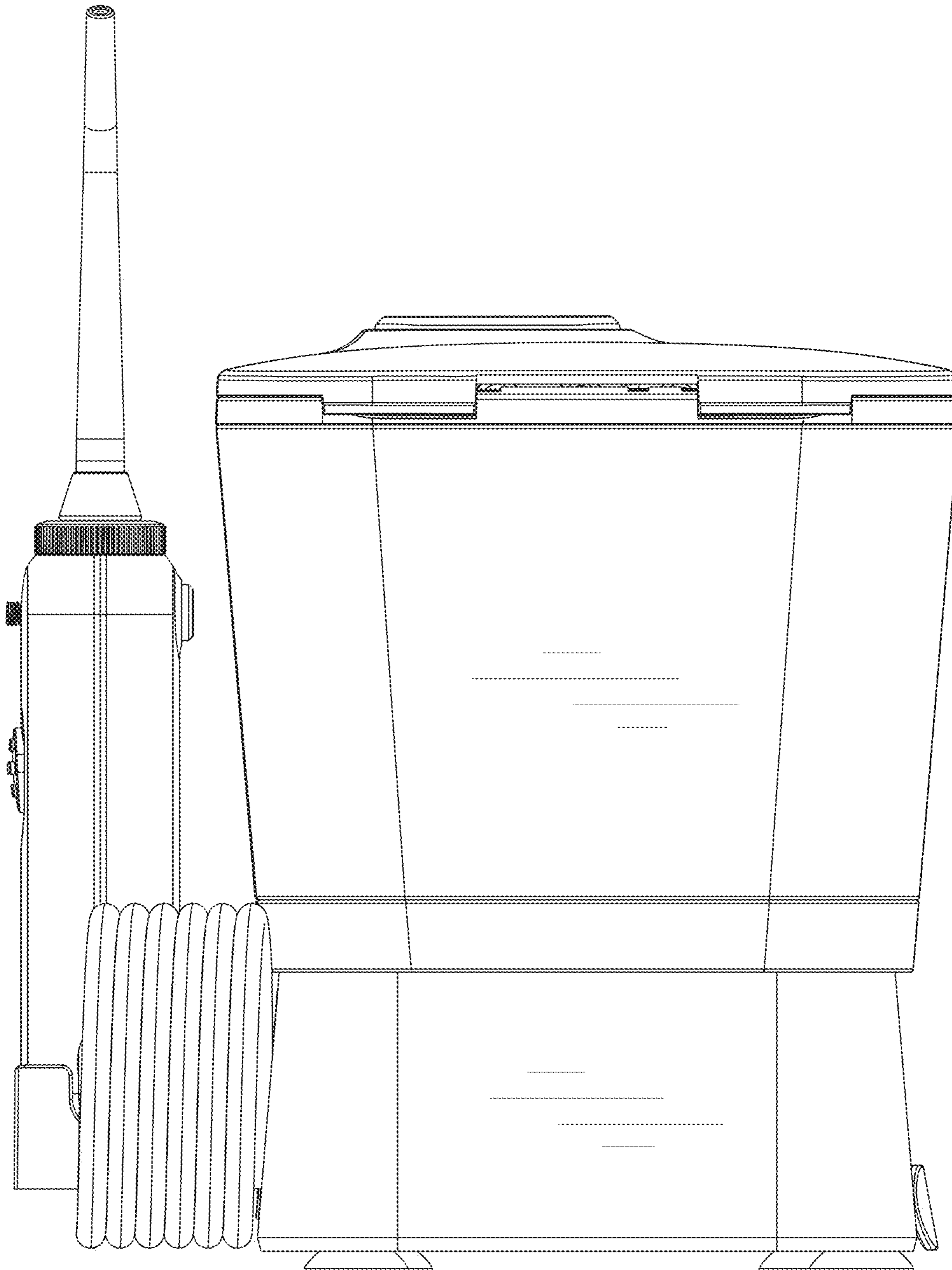


FIG. 6

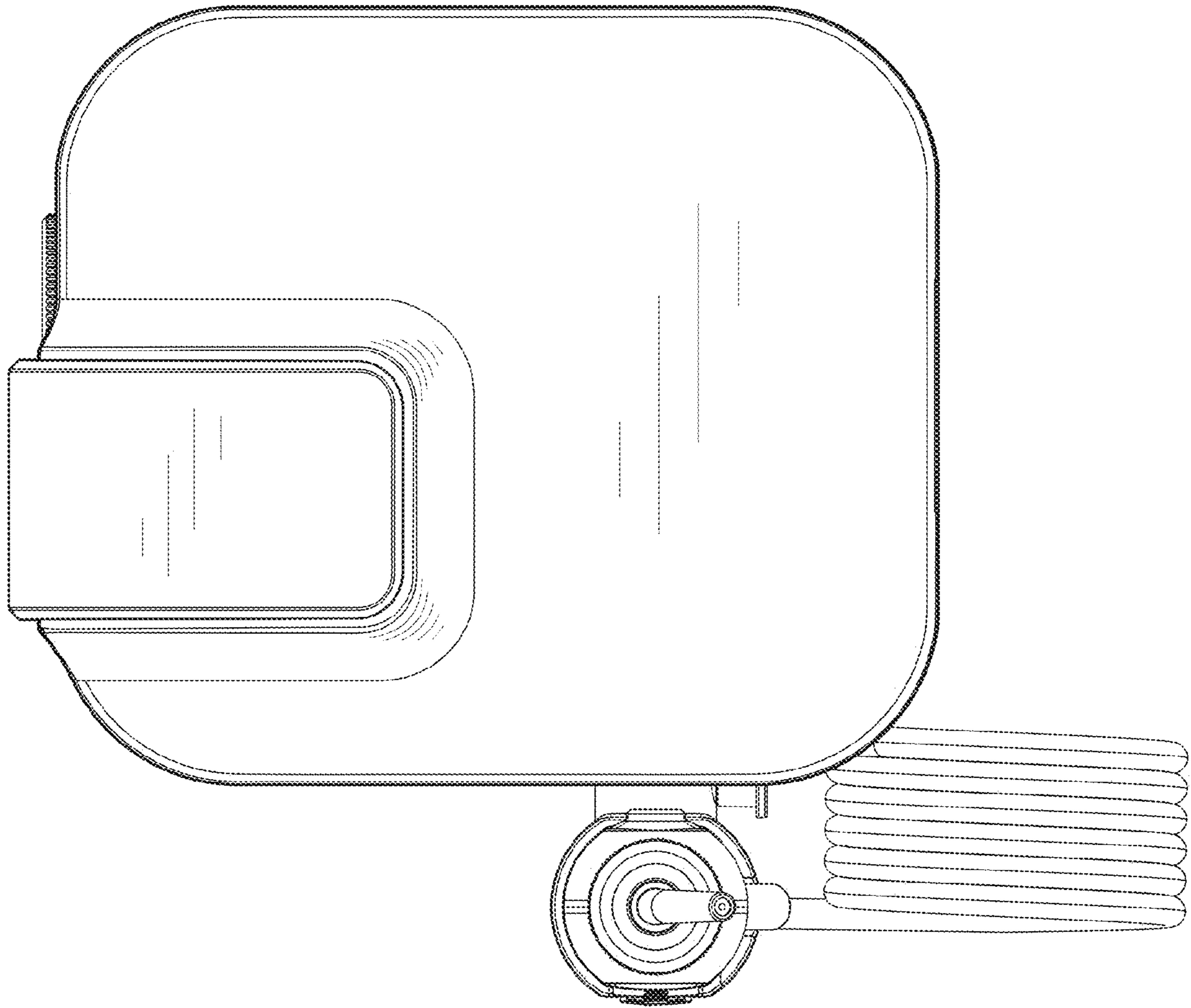


FIG. 7



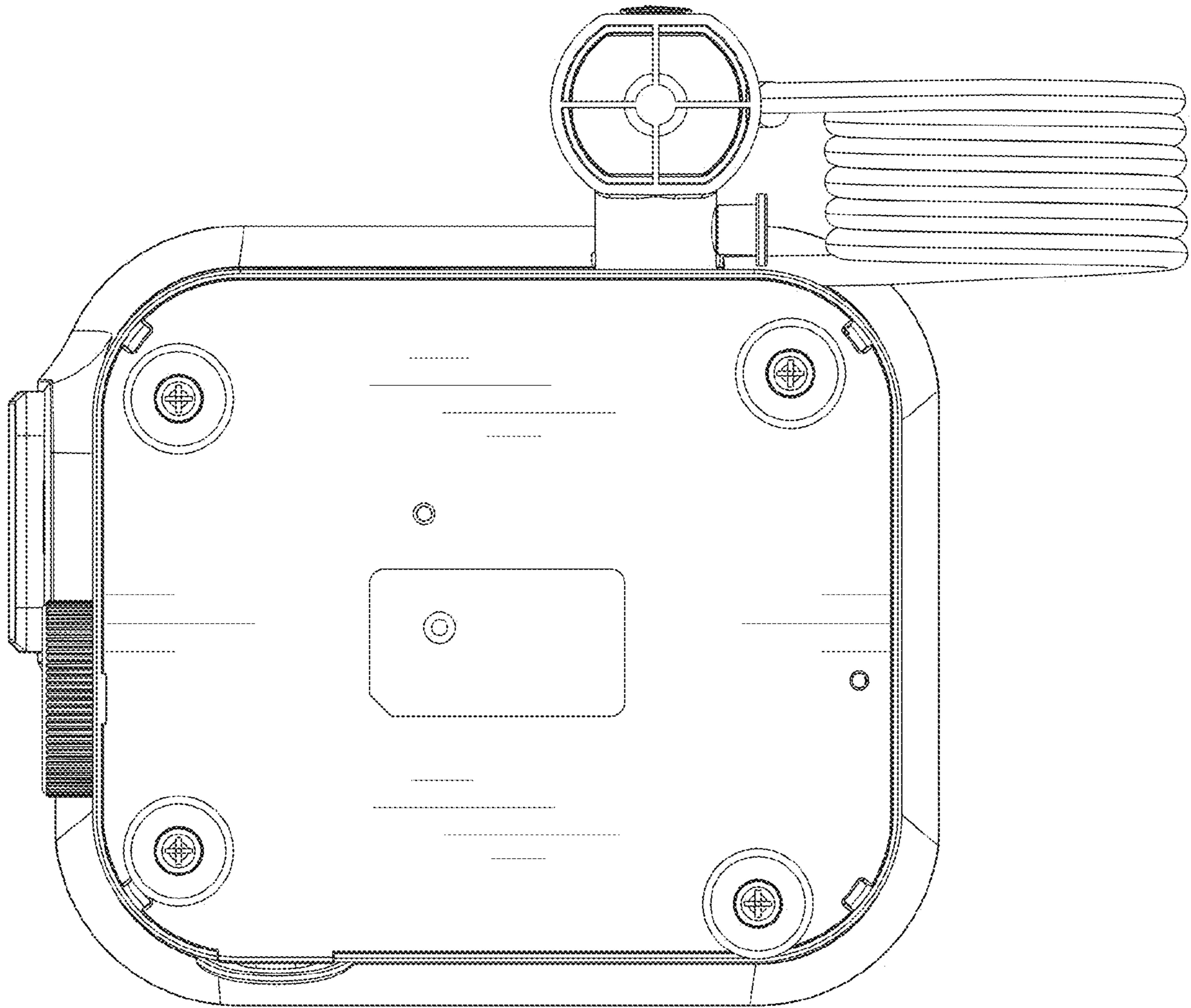


FIG. 8



FIG. 9