



US00D936209S

(12) **United States Design Patent**  
**Eves et al.**

(10) **Patent No.:** **US D936,209 S**

(45) **Date of Patent:** **\*\* Nov. 16, 2021**

(54) **CUSHION FOR PATIENT INTERFACE**

(71) Applicant: **ResMed Pty Ltd**, Bella Vista (AU)

(72) Inventors: **Matthew Eves**, Sydney (AU); **Lemmy Nga**, Sydney (AU); **Gerard Michael Rummery**, Woodford (AU); **Rupert Christian Scheiner**, Sydney (AU)

(73) Assignee: **ResMed Pty Ltd**, Bella Vista (AU)

(\*\*) Term: **15 Years**

(21) Appl. No.: **29/758,735**

(22) Filed: **Nov. 18, 2020**

**Related U.S. Application Data**

(62) Division of application No. 29/733,624, filed on May 5, 2020, which is a division of application No. (Continued)

(51) **LOC (13) Cl.** ..... **29-02**

(52) **U.S. Cl.**  
USPC ..... **D24/110.4**

(58) **Field of Classification Search**  
USPC ..... D24/110–110.6, 127, 129; D29/110  
CPC ..... A61M 16/0616; A61M 16/0633; A61M 16/06; A61M 16/0666; A61M 16/0683; A61M 16/0605; A61M 16/0622; A61M 16/0644; A61M 16/0875; A61M 16/0816; A61M 16/08; B63C 11/205; B63C 11/16; B63C 11/186; B63C 11/12

See application file for complete search history.

(56) **References Cited**

**U.S. PATENT DOCUMENTS**

D118,241 S \* 12/1939 Lehmborg ..... D24/110.1  
D377,089 S \* 12/1996 Starr ..... D24/110.1

(Continued)

**OTHER PUBLICATIONS**

Eves et al., Design U.S. Appl. No. 29/733,624, filed May 5, 2020, for “Patient Interface and/or Components Thereof,” (parent application).

*Primary Examiner* — Sheryl Lane

*Assistant Examiner* — Aula Soroush

(74) *Attorney, Agent, or Firm* — Nixon & Vanderhye P.C.

(57) **CLAIM**

The ornamental design for a cushion for patient interface, as shown and described.

**DESCRIPTION**

FIG. 1 is a front perspective view of a cushion for patient interface showing a first embodiment of our new design; FIG. 2 is an enlarged front perspective view of the cushion in isolation;

FIG. 3 is a front elevation view thereof;

FIG. 4 is a rear elevation view thereof;

FIG. 5 is a top plan view thereof;

FIG. 6 is a bottom plan view thereof;

FIG. 7 is a left side elevation view thereof;

FIG. 8 is a right side elevation view thereof;

FIG. 9 is a rear perspective view thereof;

FIG. 10 is a front perspective view of a cushion for patient interface showing a second embodiment of our new design; FIG. 11 is an enlarged front perspective view of the cushion in isolation;

FIG. 12 is a front elevation view thereof;

FIG. 13 is a rear elevation view thereof;

FIG. 14 is a top plan view thereof;

FIG. 15 is a bottom plan view thereof;

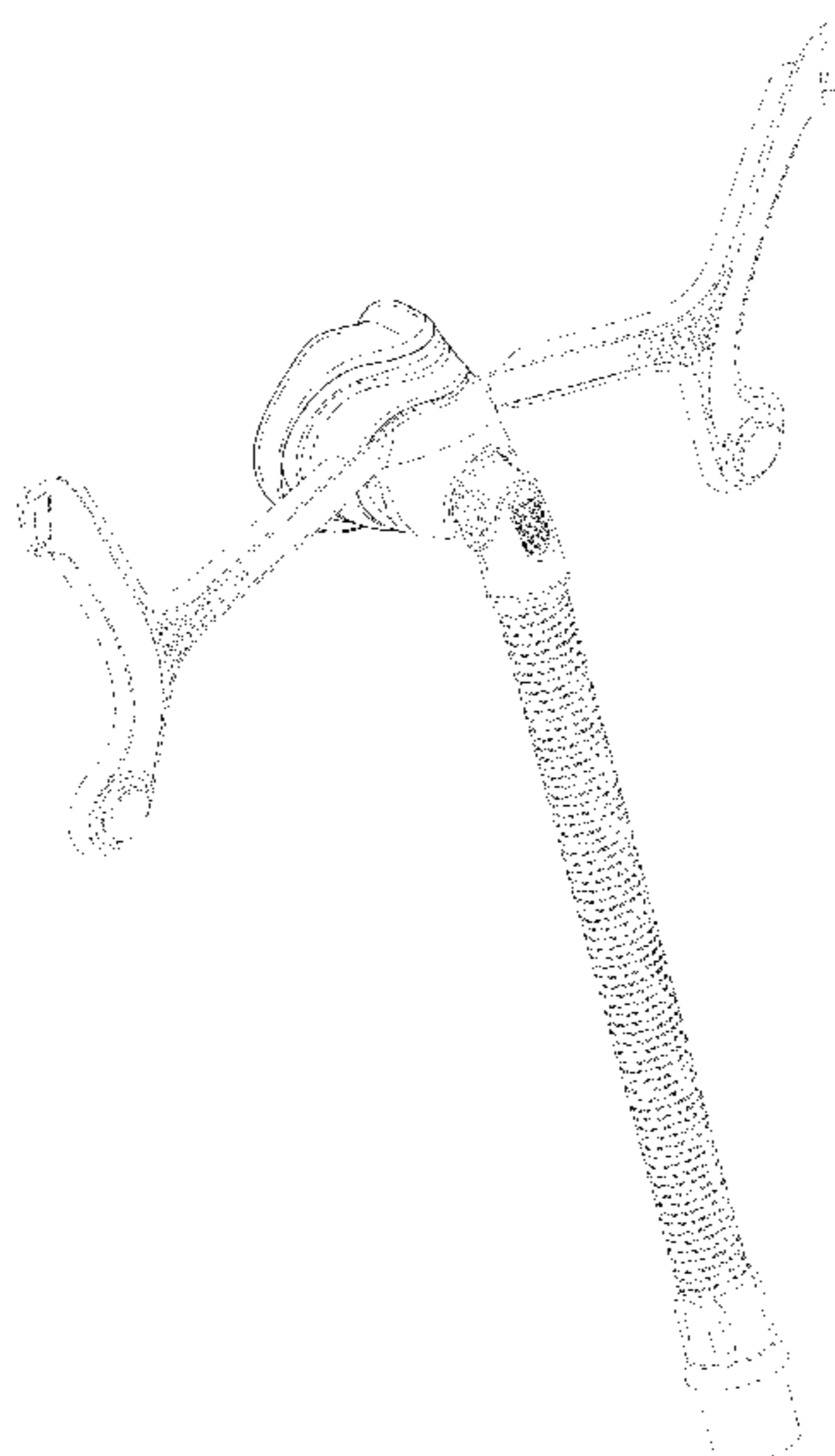
FIG. 16 is a left side elevation view thereof;

FIG. 17 is a right side elevation view thereof; and,

FIG. 18 is a rear perspective view thereof.

The broken lines in the drawings depict portions of the cushion for patient interface that form no part of the claimed design.

**1 Claim, 18 Drawing Sheets**



**Related U.S. Application Data**

29/581,907, filed on Oct. 24, 2016, now Pat. No. Des. 884,151.

(56)

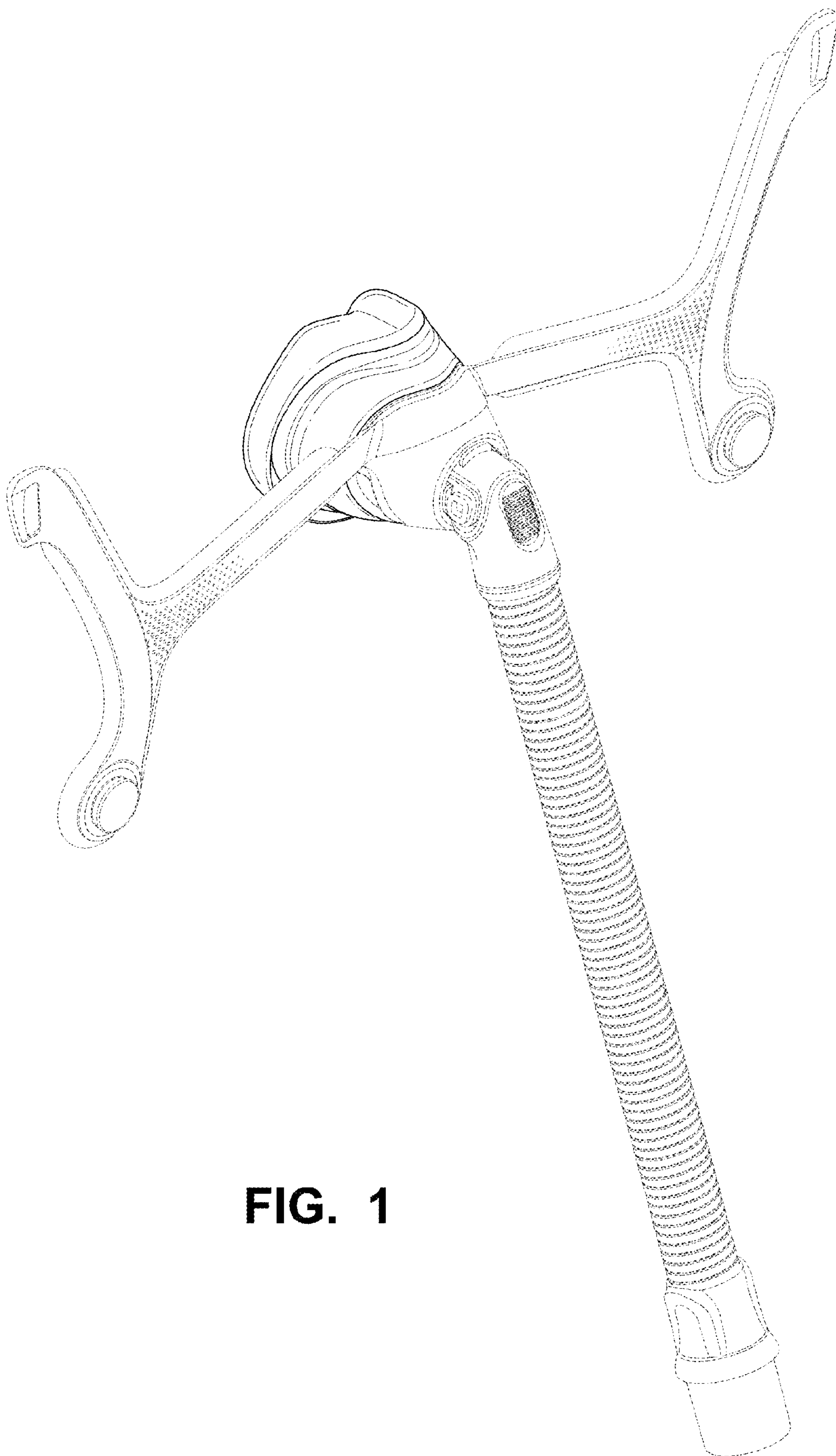
**References Cited**

U.S. PATENT DOCUMENTS

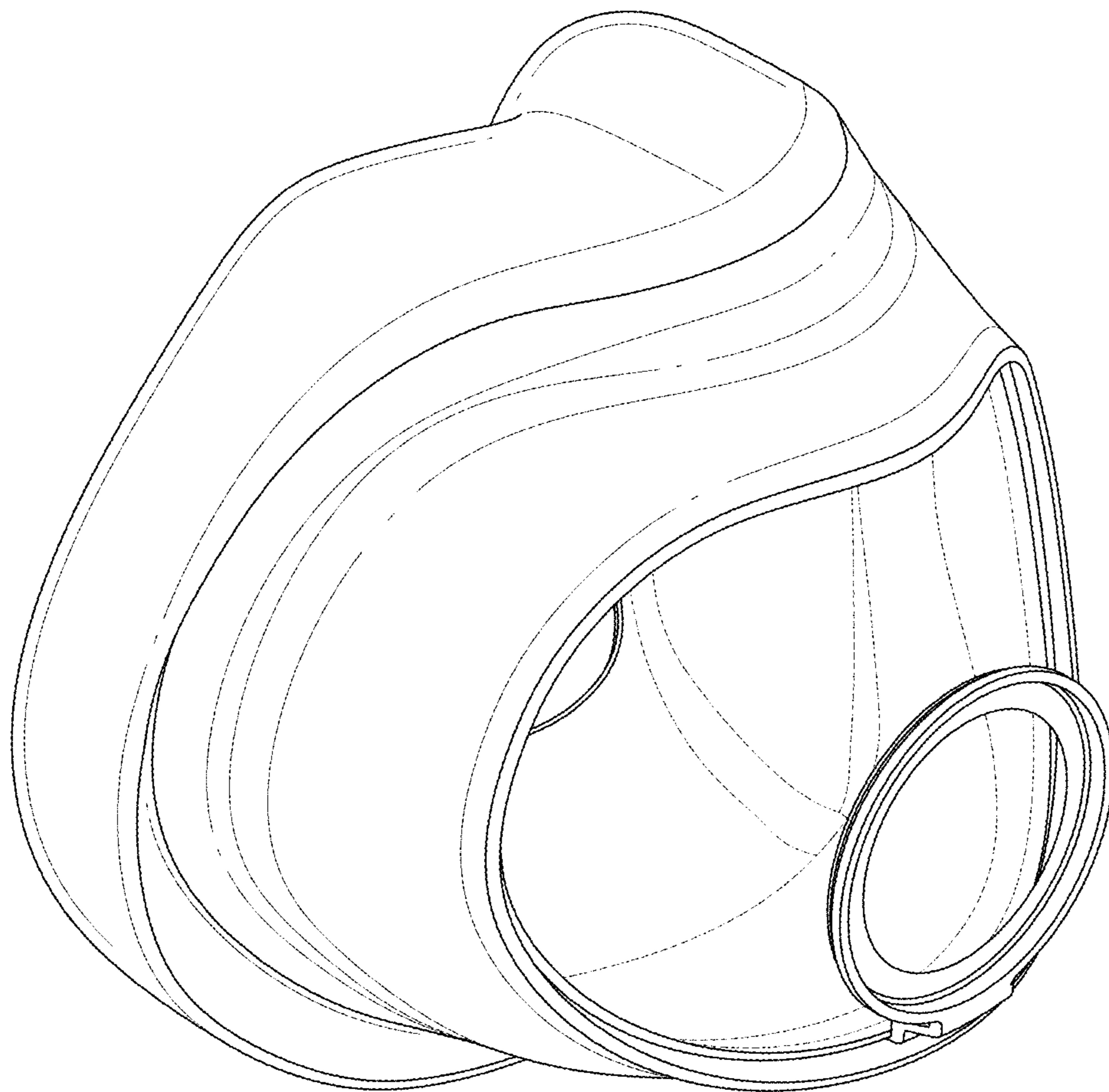
D428,988 S \* 8/2000 Smart ..... D24/110.1  
 D464,426 S \* 10/2002 Palkon ..... D24/110.1  
 D485,905 S 1/2004 Moore  
 D494,675 S \* 8/2004 Guney ..... D24/110.1  
 D507,348 S \* 7/2005 Moore ..... D24/110.1  
 D530,007 S \* 10/2006 Guney ..... D24/110.1  
 D582,545 S \* 12/2008 Omura ..... D24/110.1  
 D594,111 S \* 6/2009 Reid ..... D24/110.1  
 D597,201 S \* 7/2009 Brambilla ..... D24/110.1  
 D614,761 S \* 4/2010 Brambilla ..... D24/110.1  
 D614,763 S \* 4/2010 Maurer ..... G06K 7/10801  
 D24/110.1  
 D659,237 S 5/2012 Lubke  
 D682,419 S \* 5/2013 Clarke ..... D24/110.1  
 D692,554 S 10/2013 Siew  
 D706,412 S \* 6/2014 Henry ..... D24/110

D737,953 S 9/2015 Wells  
 D770,036 S 10/2016 Walls  
 D771,238 S \* 11/2016 Scheiner ..... D24/110.1  
 D794,772 S \* 8/2017 Cullen ..... D24/110.4  
 D835,776 S \* 12/2018 Veliss ..... D24/110.1  
 10,166,354 B2 \* 1/2019 Eifler ..... A61M 16/06  
 D851,750 S \* 6/2019 Collazo ..... D24/110.1  
 D863,544 S \* 10/2019 Collazo ..... D24/110.2  
 D873,992 S \* 1/2020 Cullen ..... D24/110.4  
 D884,151 S 5/2020 Eves et al.  
 2005/0011521 A1 \* 1/2005 Sprinkle ..... A61M 16/0683  
 128/206.21  
 2010/0313891 A1 12/2010 Veliss  
 2011/0146685 A1 6/2011 Allan  
 2012/0067349 A1 3/2012 Barlow  
 2012/0090622 A1 4/2012 Chang  
 2014/0000614 A1 1/2014 Chang  
 2014/0283843 A1 9/2014 Eves  
 2015/0151071 A1 6/2015 Von Moger  
 2016/0051784 A1 2/2016 Eury  
 2016/0074614 A1 3/2016 Huddart  
 2016/0082217 A1 3/2016 McLaren  
 2016/0151596 A1 6/2016 Slight  
 2016/0287830 A1 10/2016 Walls

\* cited by examiner

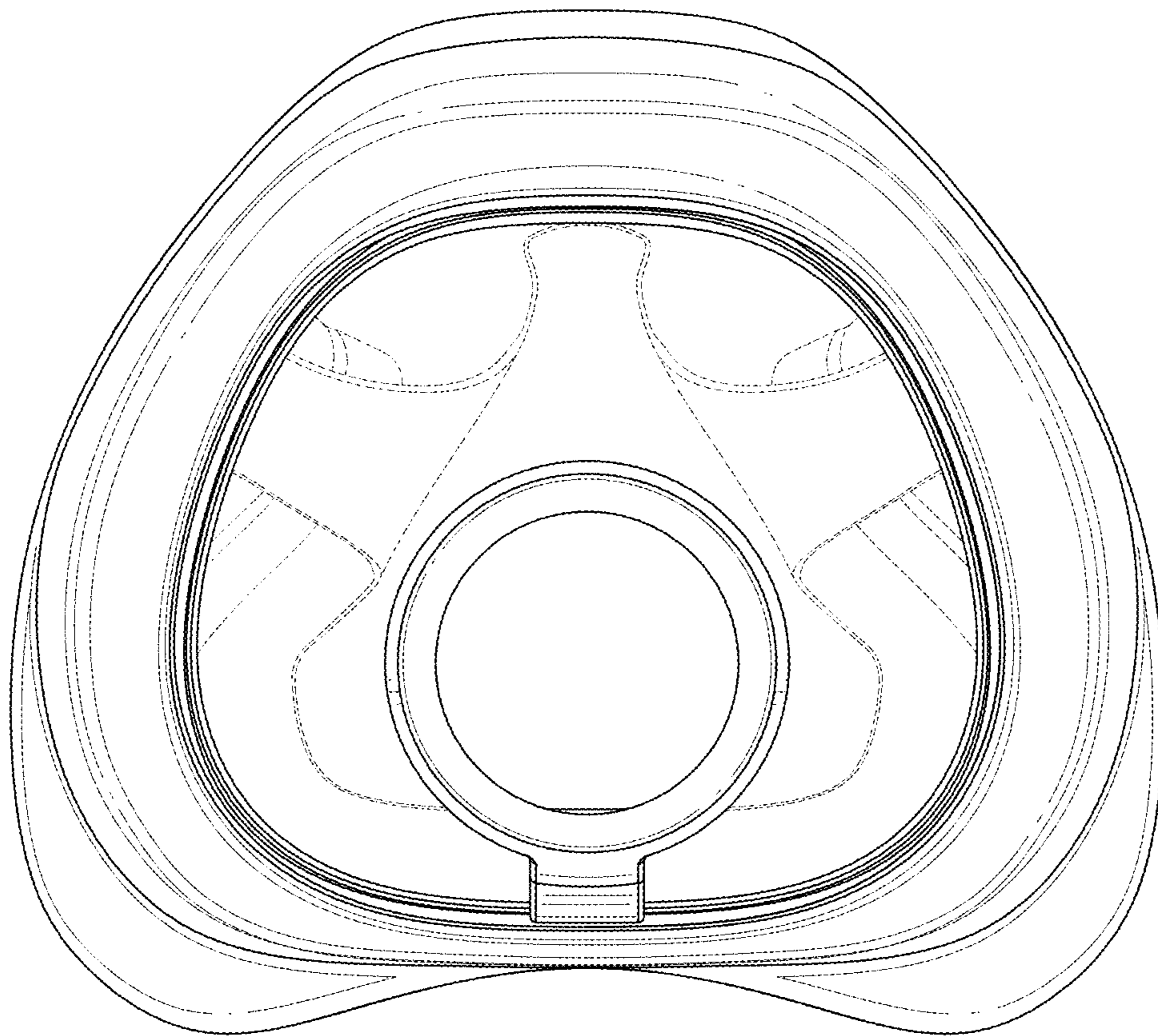


**FIG. 1**

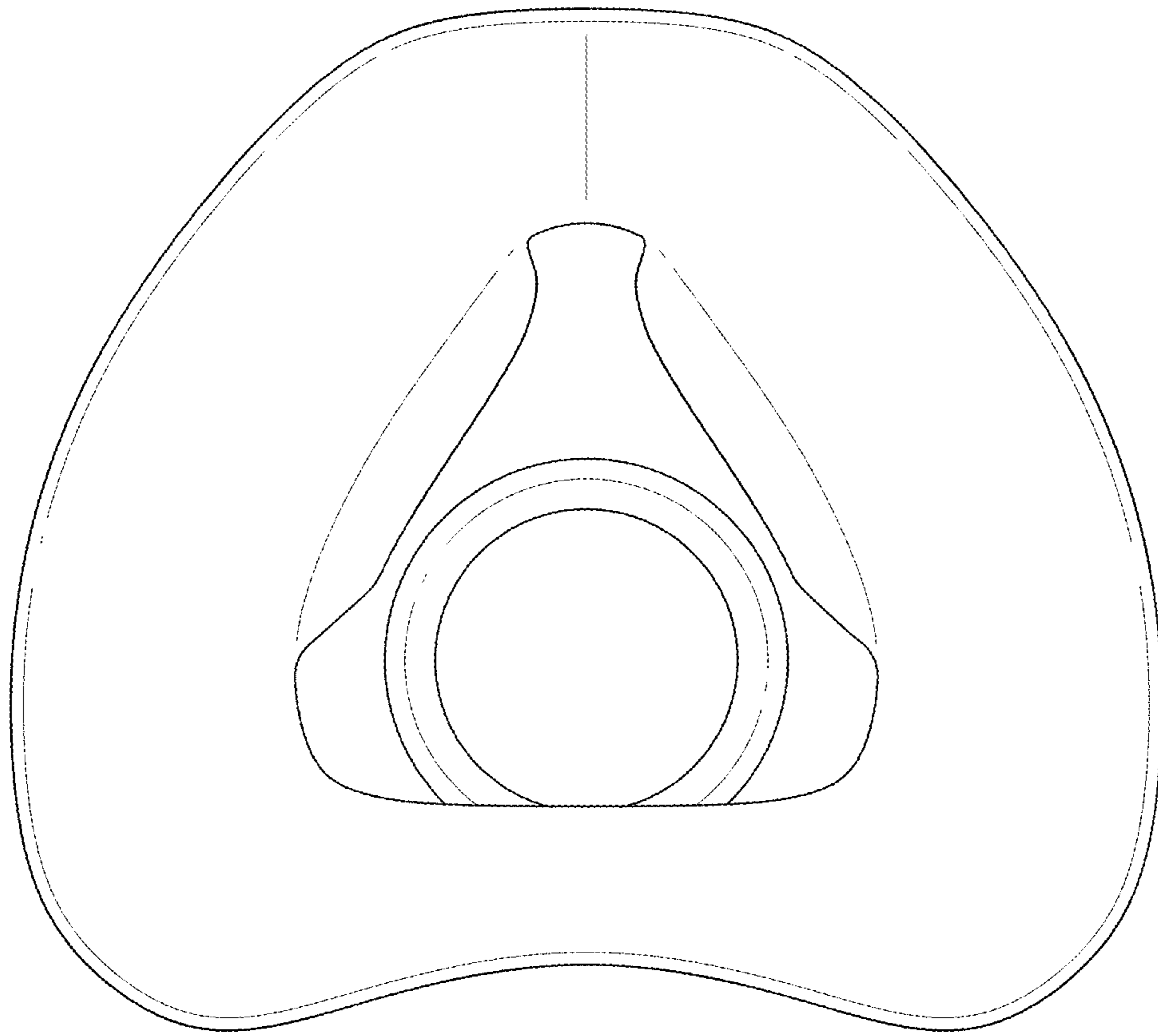


**FIG. 2**

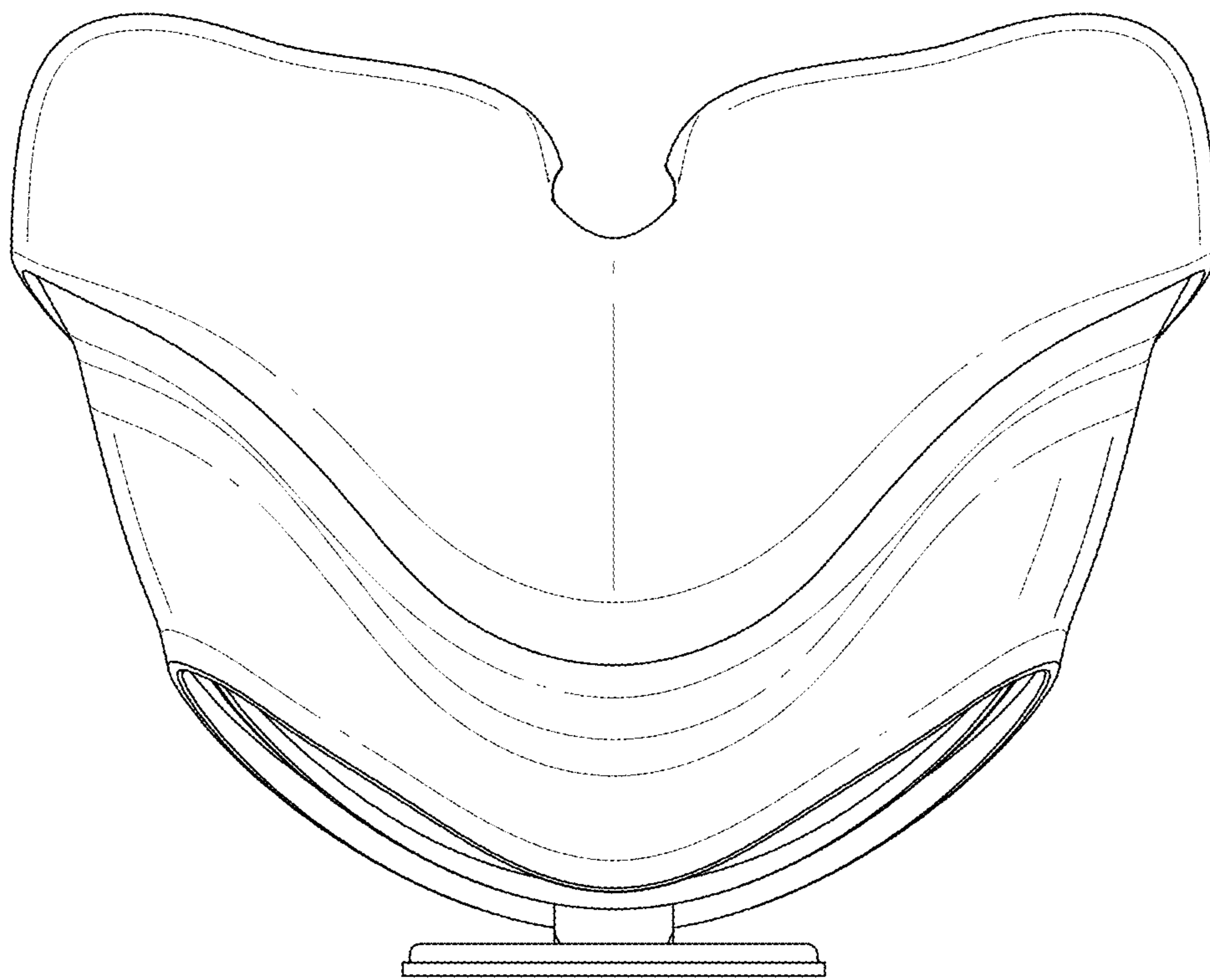




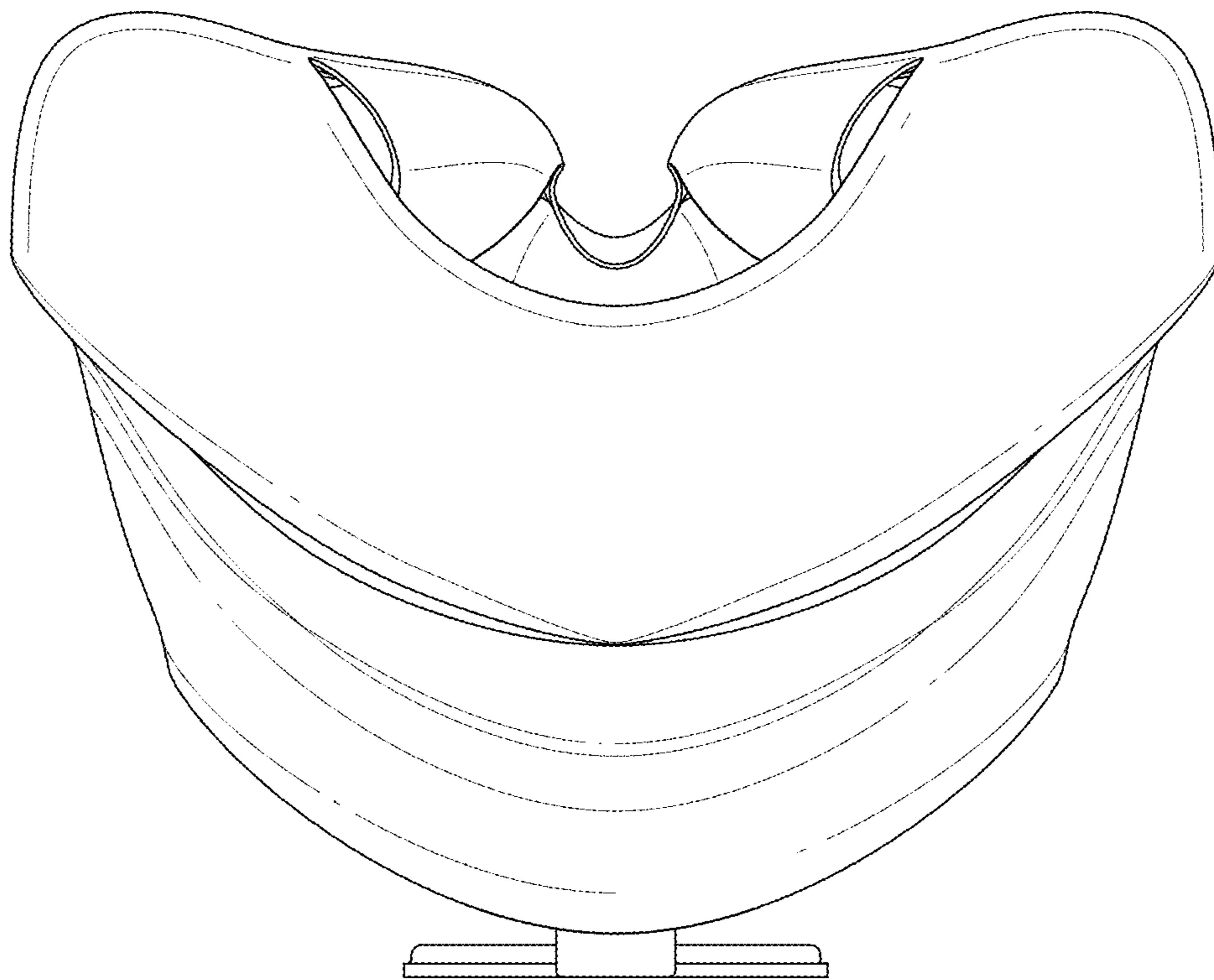
**FIG. 3**



**FIG. 4**

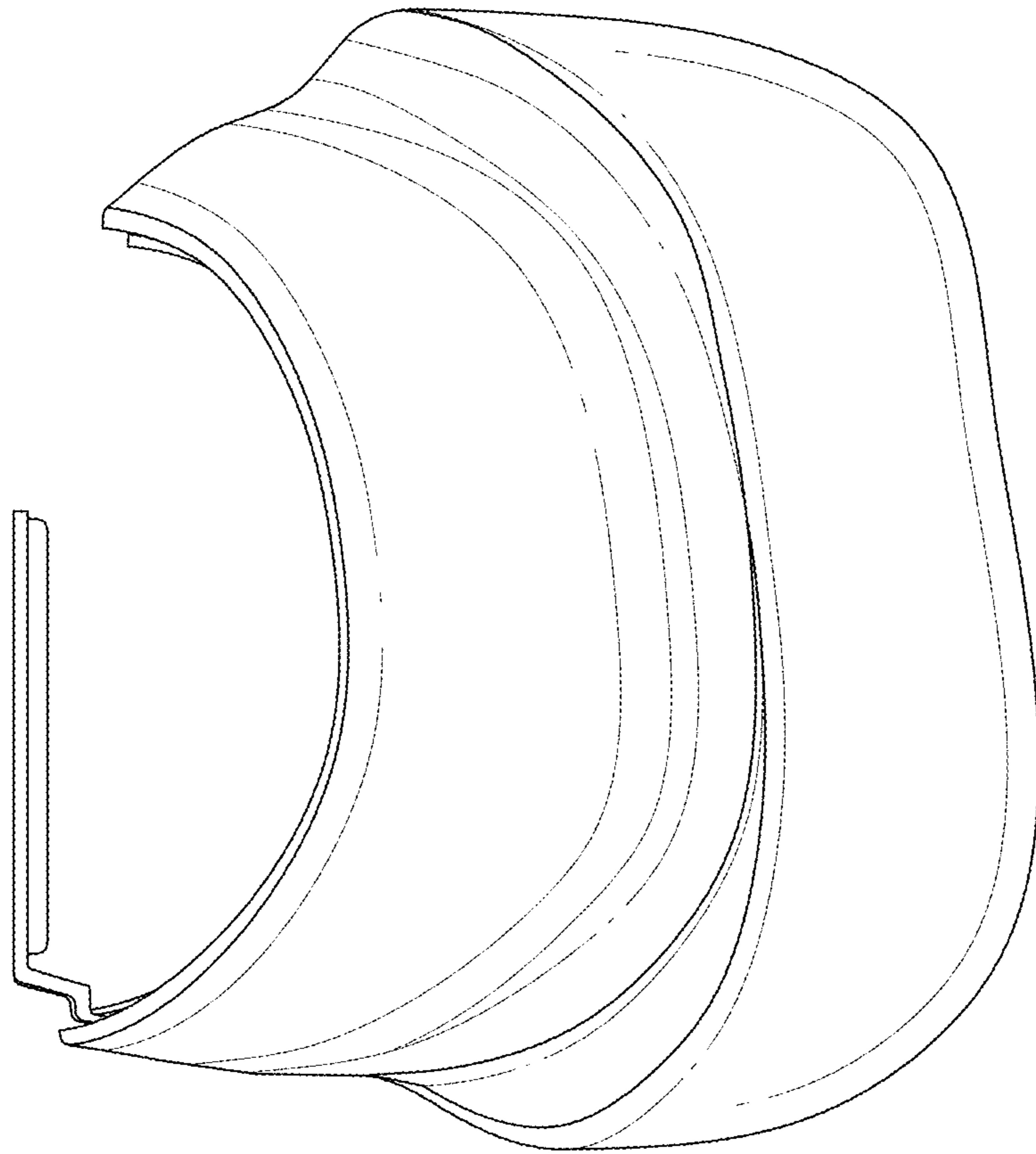


**FIG. 5**

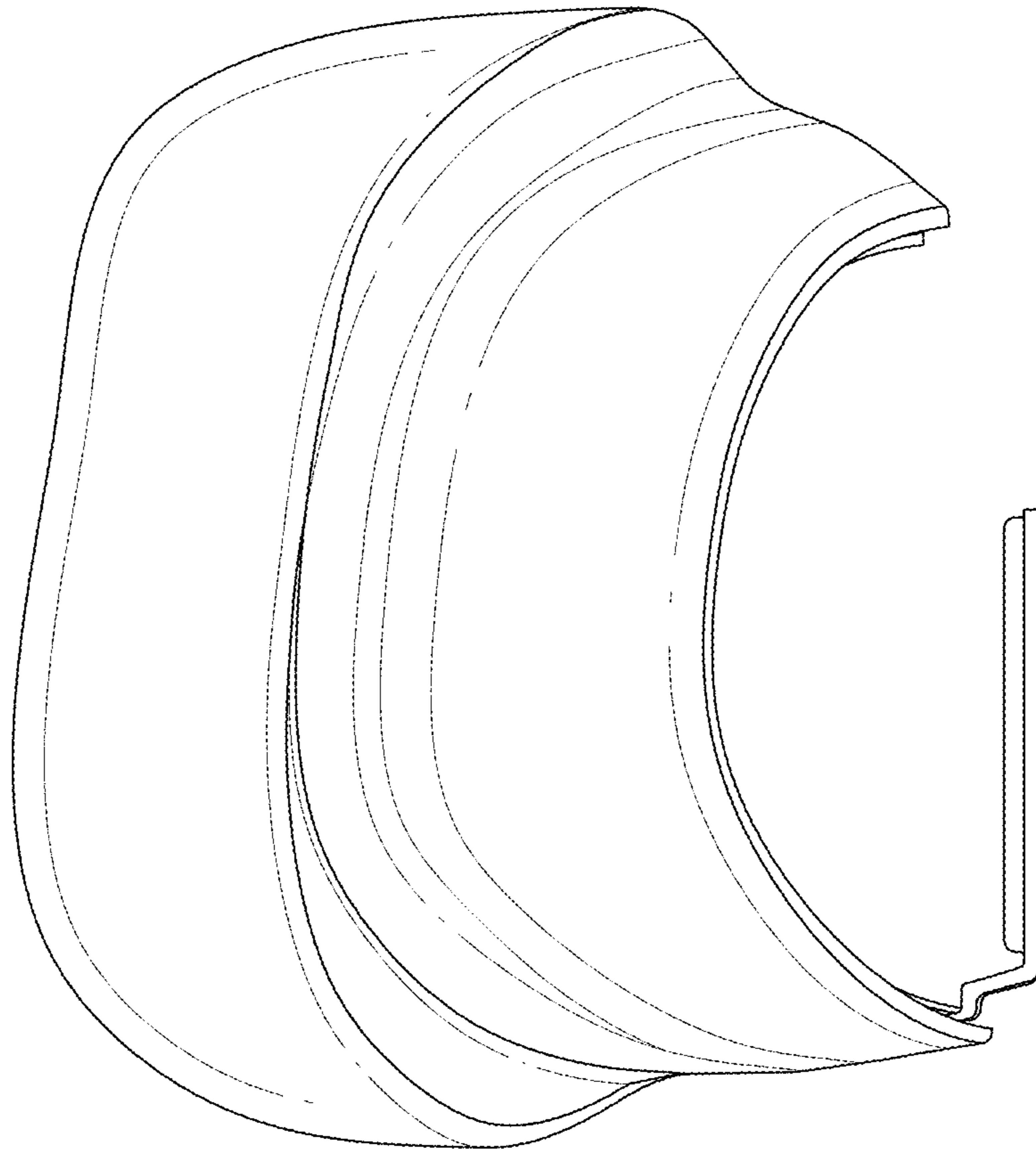


**FIG. 6**

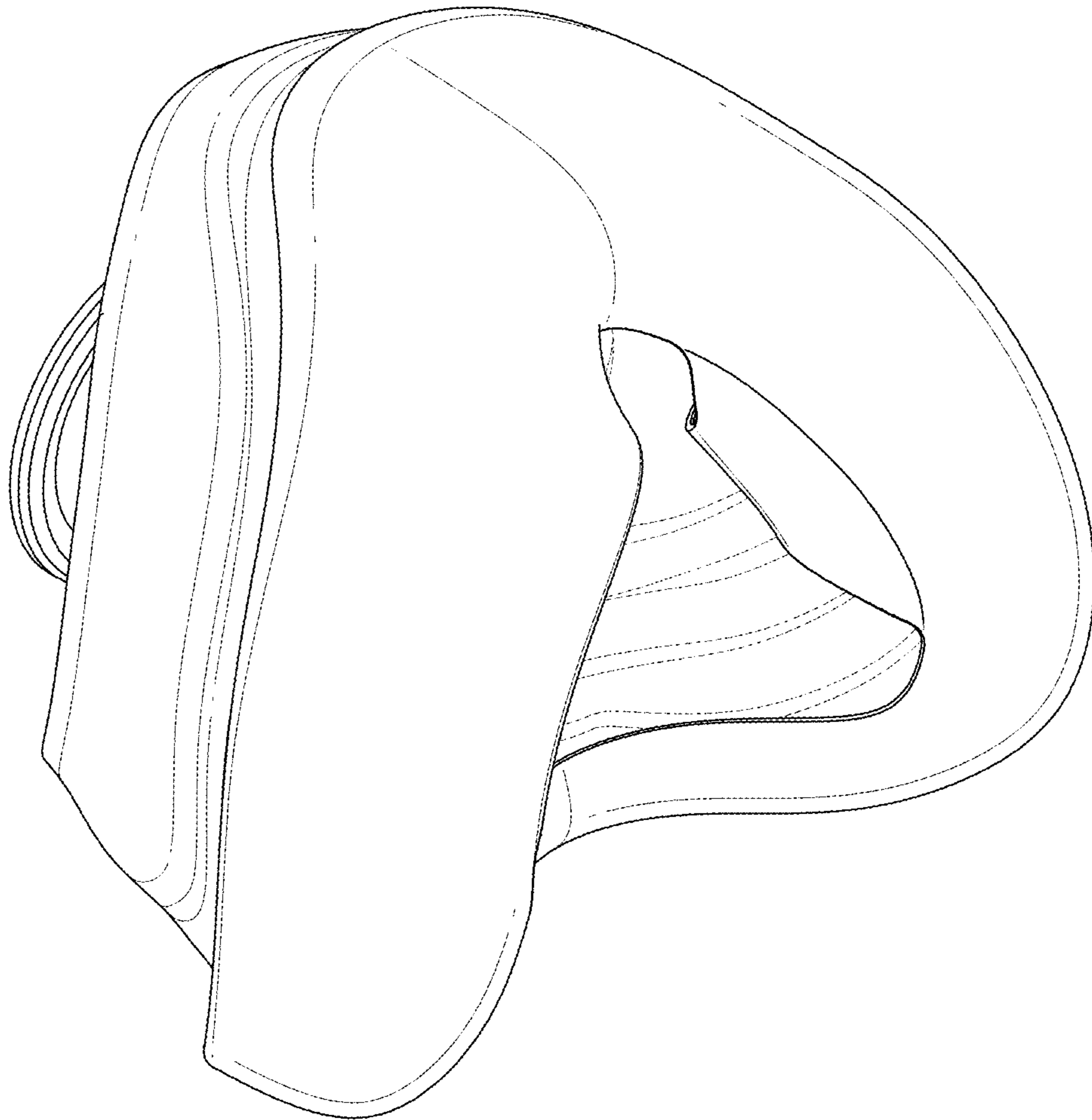




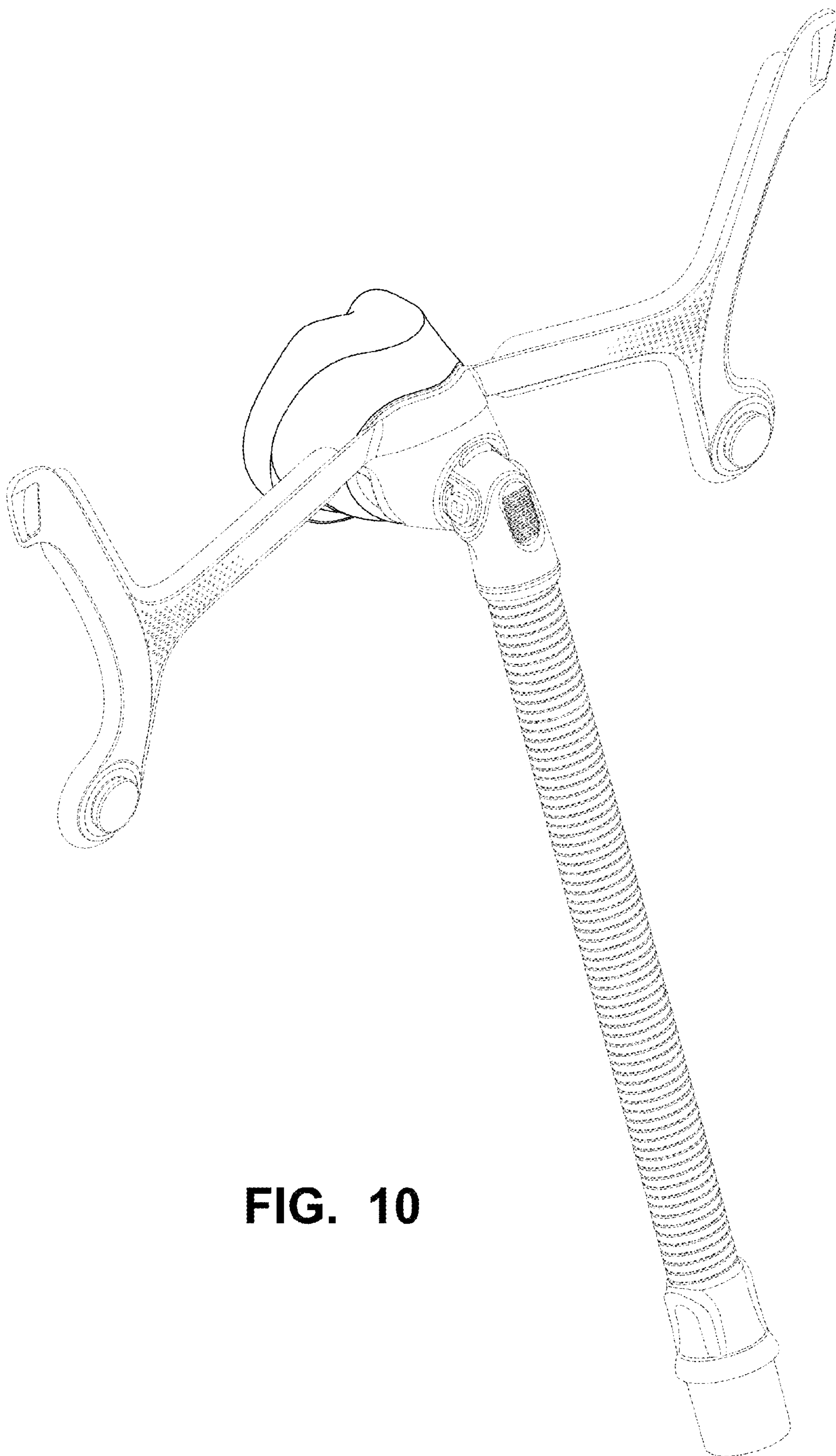
**FIG. 7**



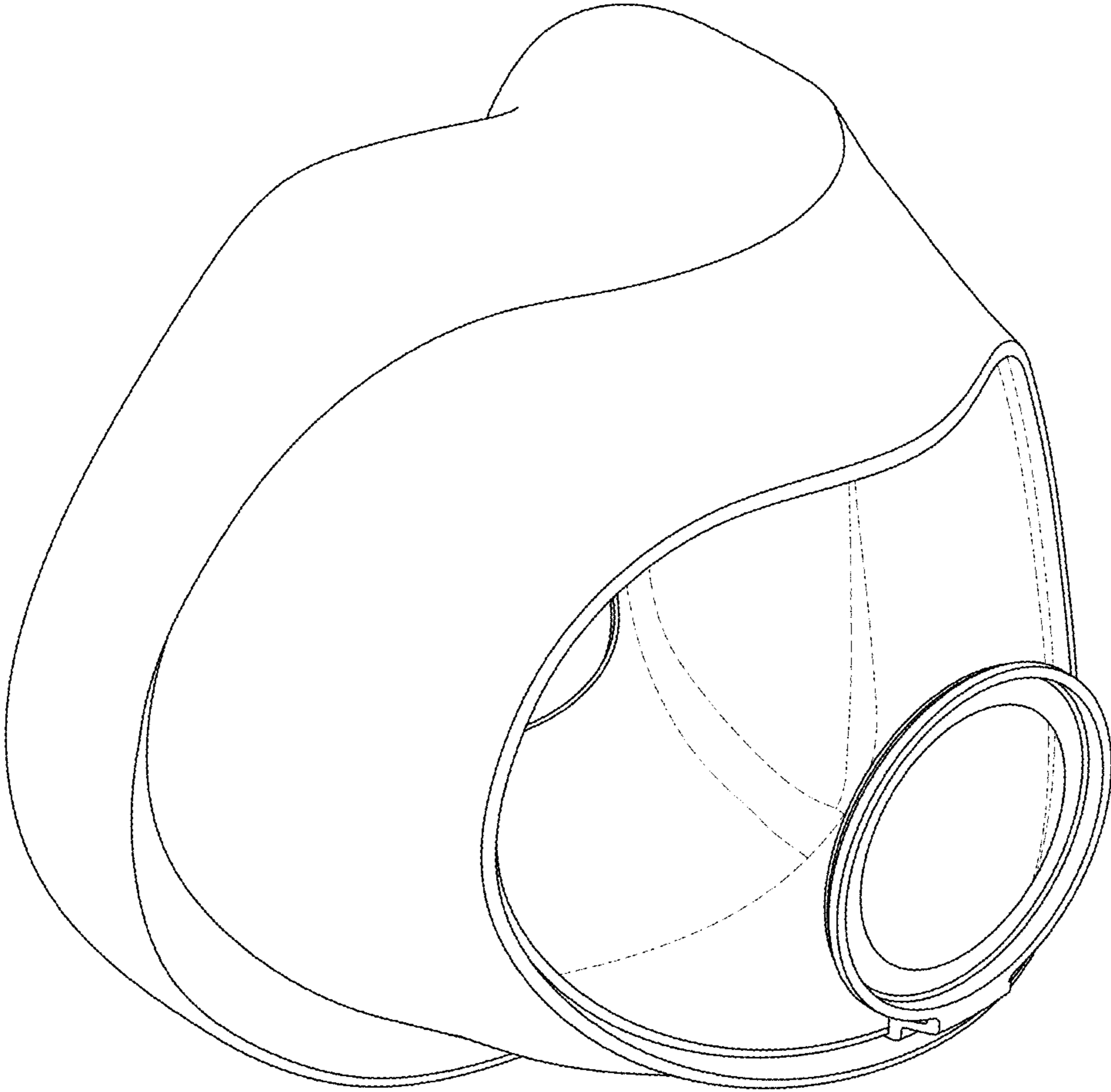
**FIG. 8**



**FIG. 9**

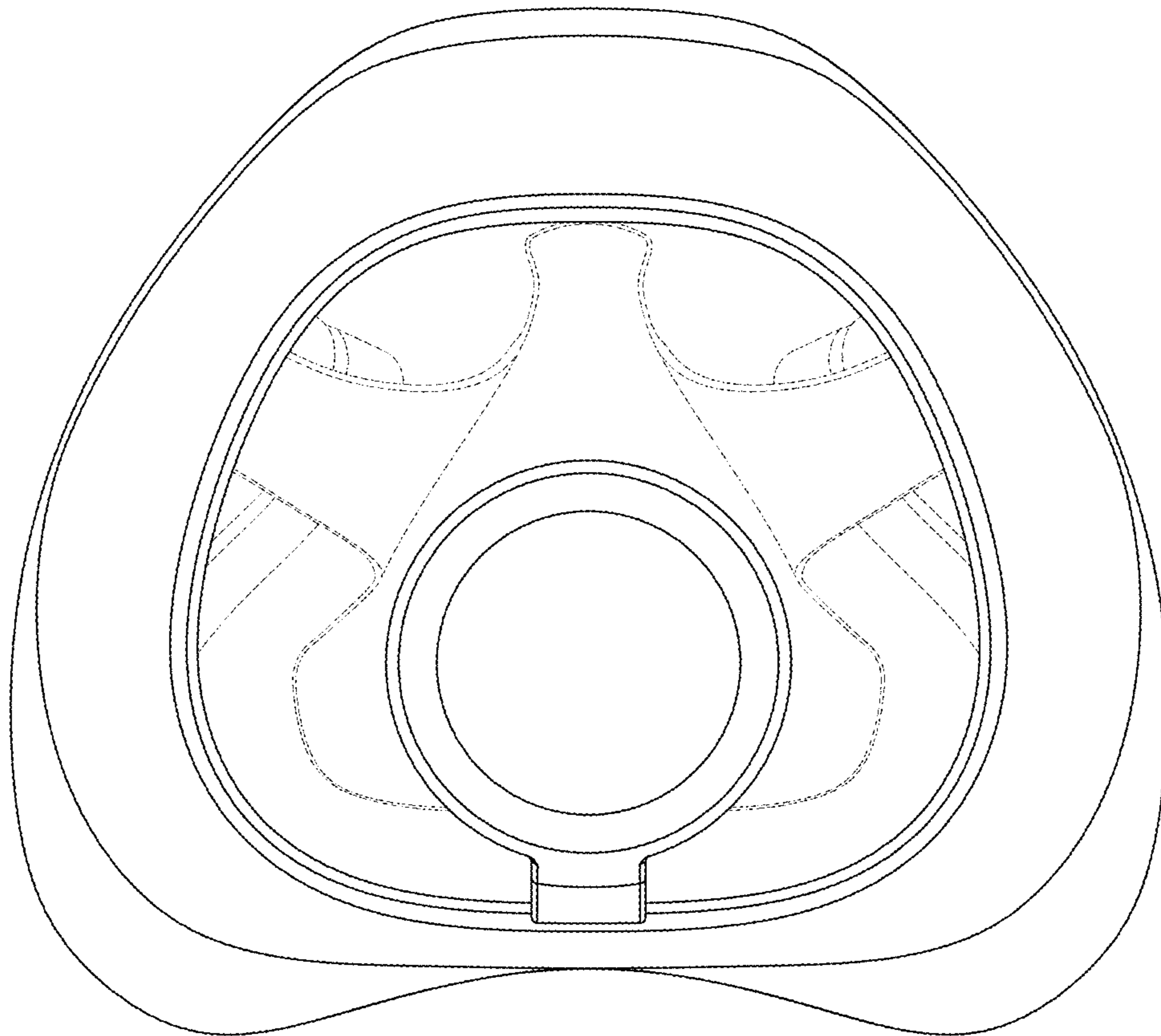


**FIG. 10**

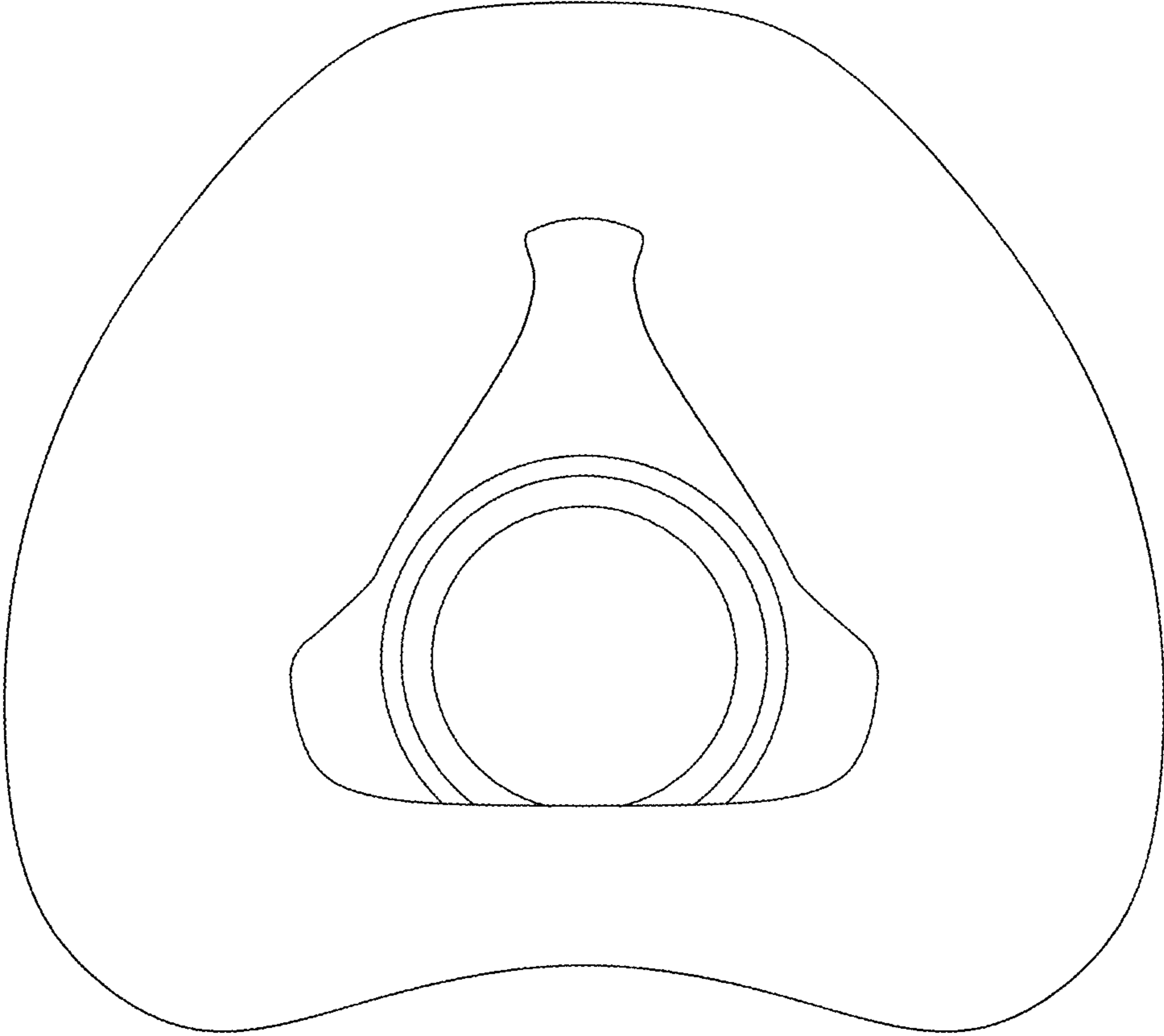


**FIG. 11**

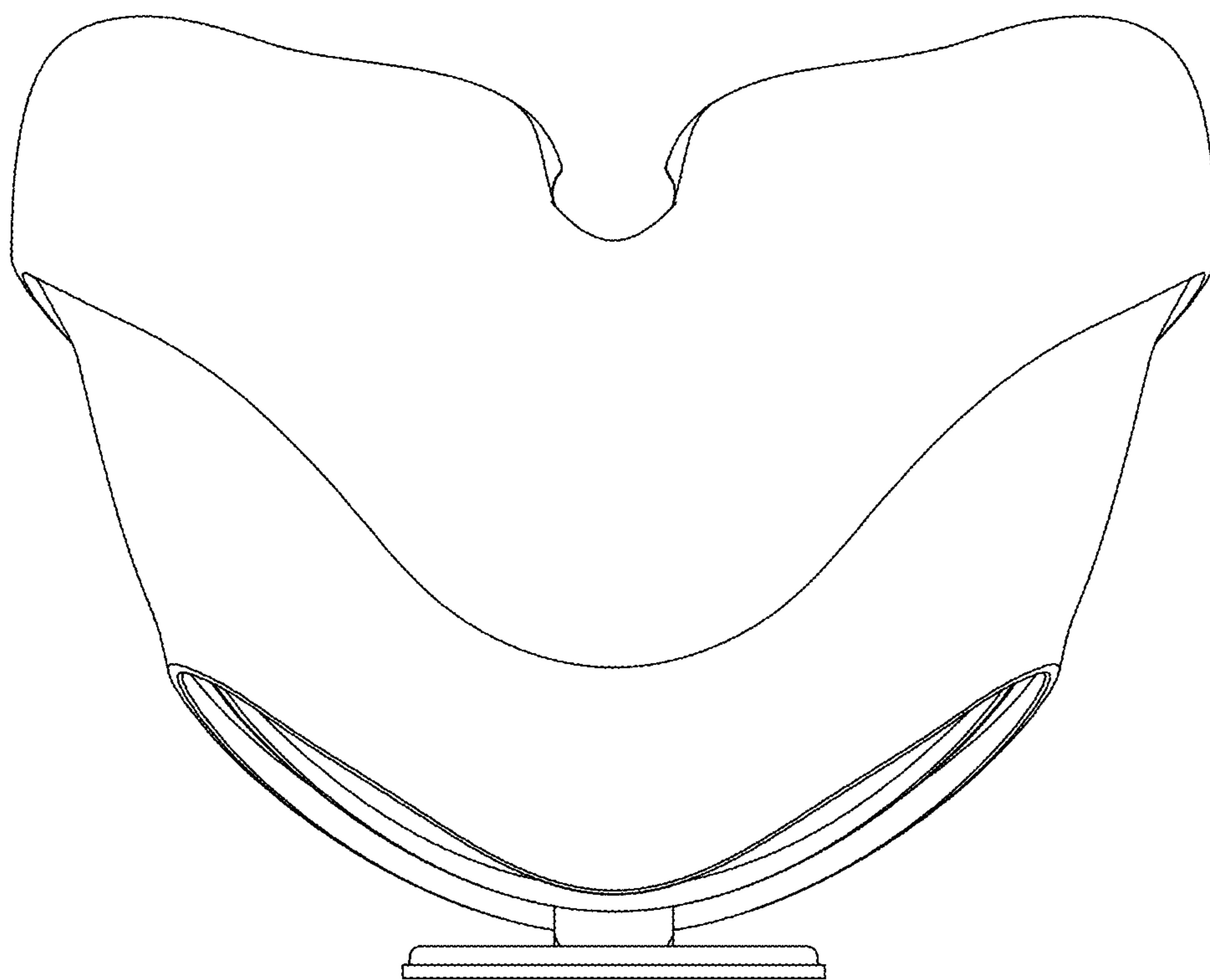




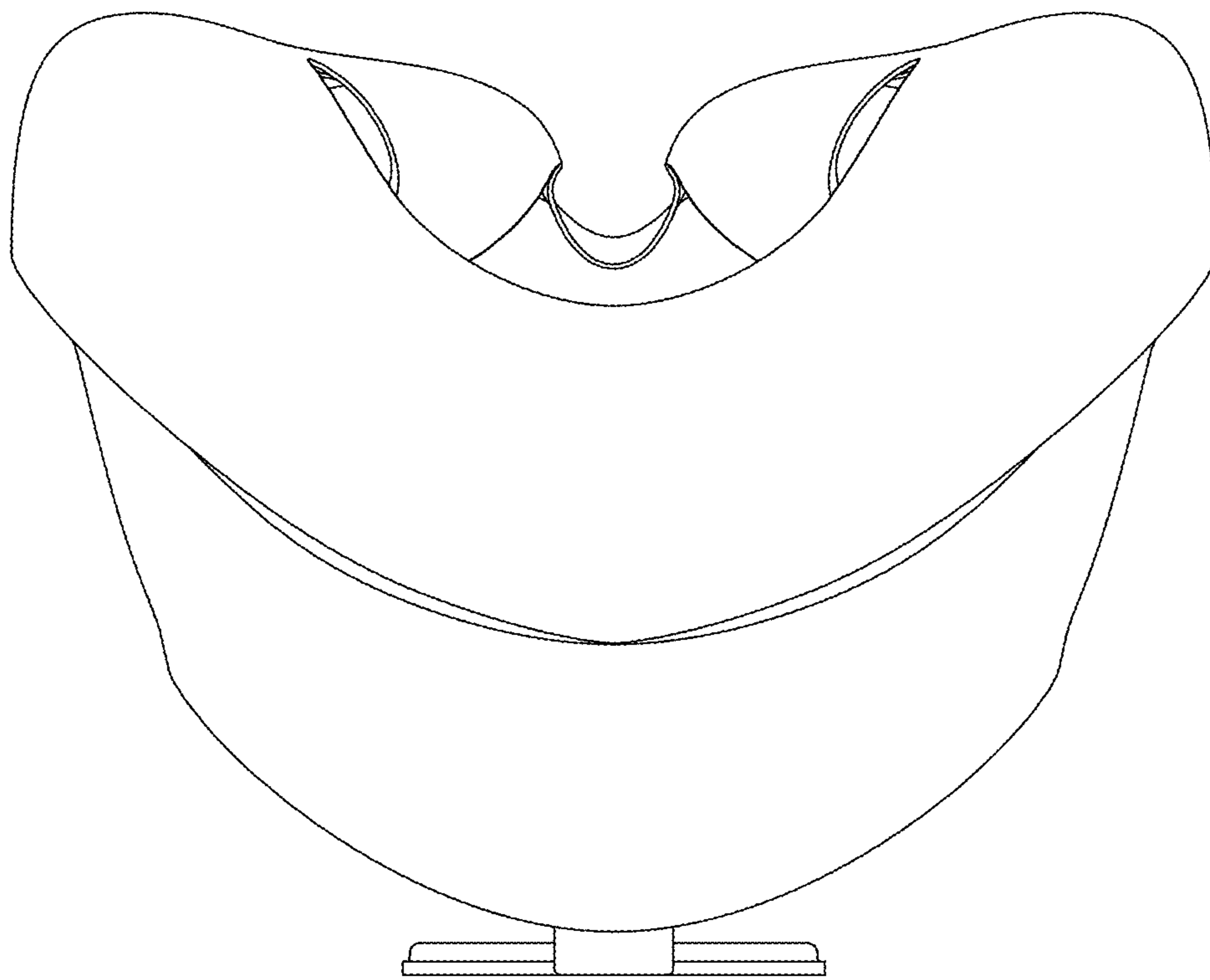
**FIG. 12**



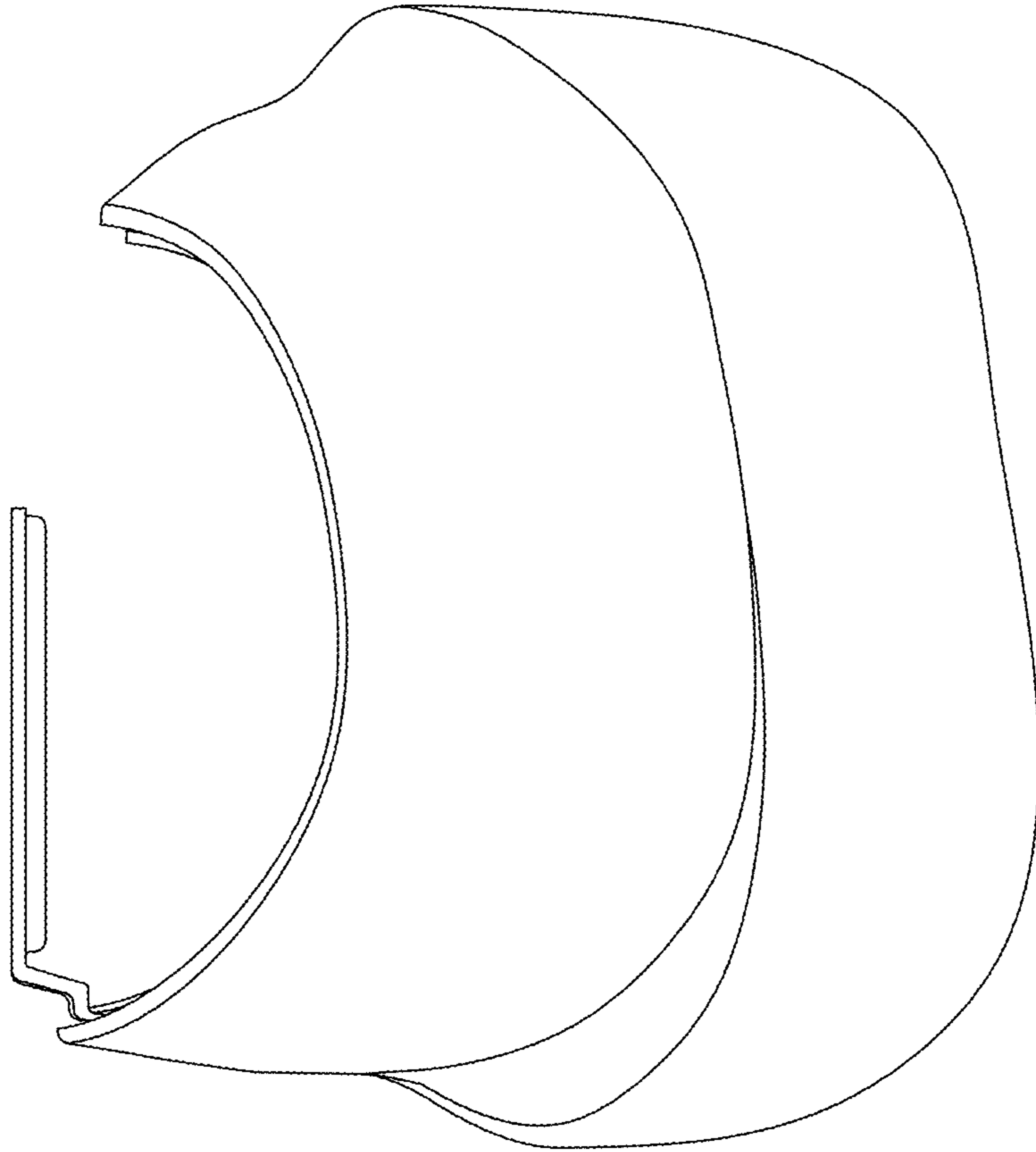
**FIG. 13**



**FIG. 14**

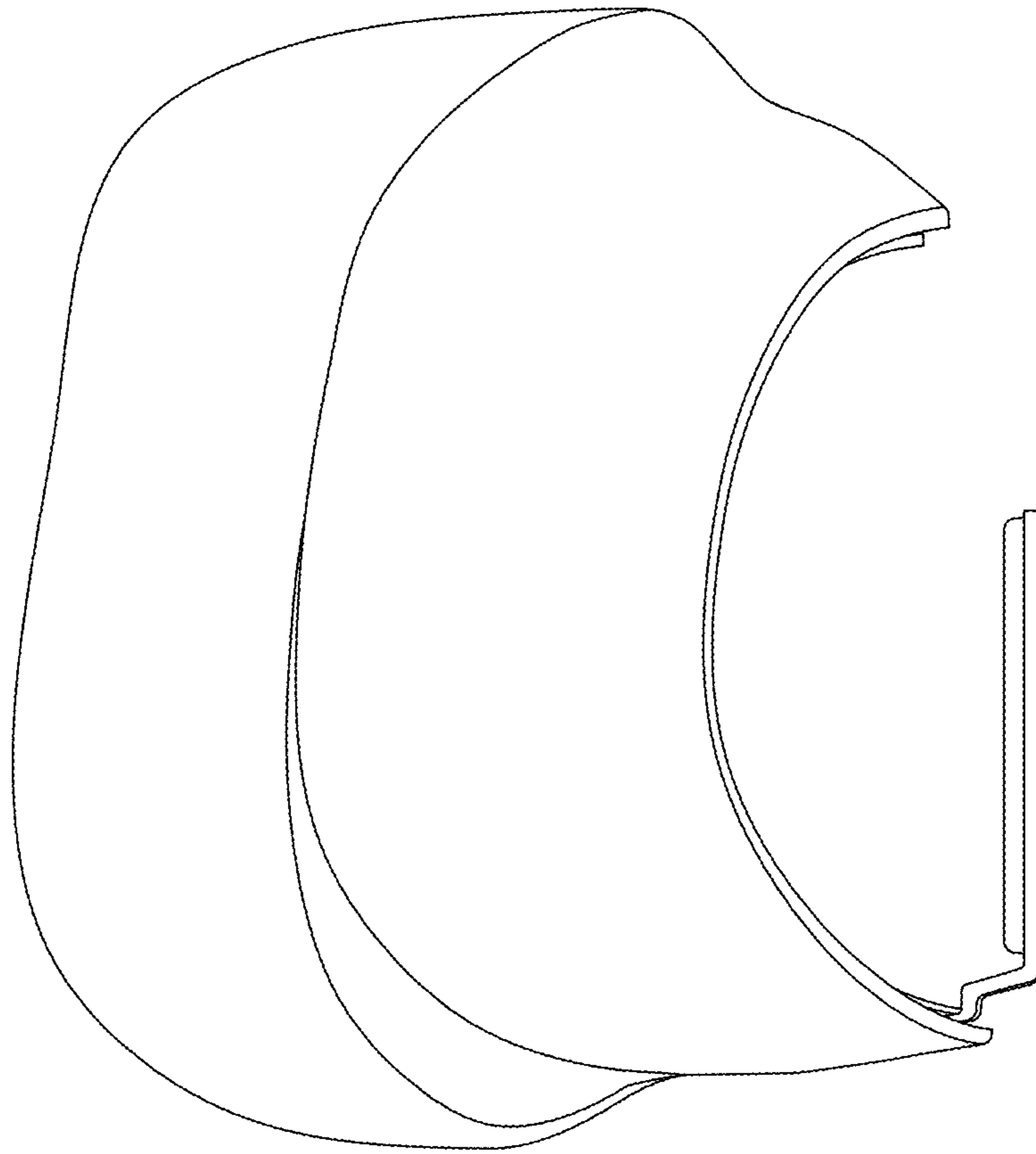


**FIG. 15**

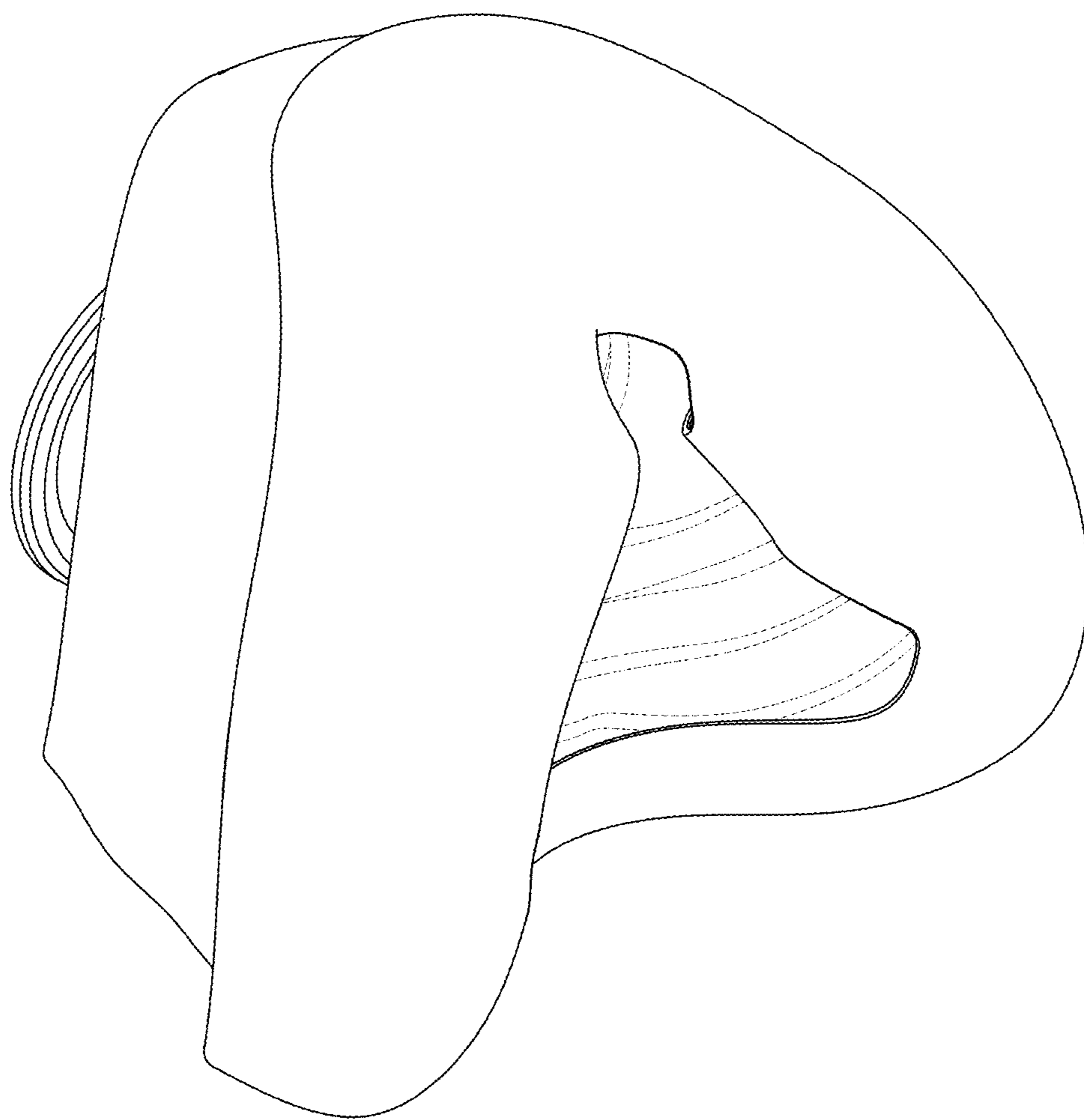


**FIG. 16**





**FIG. 17**



**FIG. 18**