



US00D936208S

(12) **United States Design Patent**
Bindhammer

(10) **Patent No.:** **US D936,208 S**

(45) **Date of Patent:** **** Nov. 16, 2021**

(54) **RESPIRATORY MASK**

(71) Applicant: **Markus Bindhammer**, Friedberg (DE)

(72) Inventor: **Markus Bindhammer**, Friedberg (DE)

(**) Term: **15 Years**

(21) Appl. No.: **35/509,370**

(22) Filed: **Apr. 1, 2020**

(80) **Hague Agreement Data**

Int. Filing Date: **Apr. 1, 2020**

Int. Reg. No.: **DM/207853**

Int. Reg. Date: **Apr. 1, 2020**

Int. Reg. Pub. Date: **May 15, 2020**

(51) **LOC (13) Cl.** **29-02**

(52) **U.S. Cl.**
USPC **D24/110.1; D29/108**

(58) **Field of Classification Search**
USPC D24/110-110.6, 127, 162, 164; D29/106,
D29/108, 122

CPC A61B 18/02; A62B 18/025; A62B 23/025;
A62B 7/10; A62B 9/02; A63B 23/18

See application file for complete search history.

(56) **References Cited**

U.S. PATENT DOCUMENTS

D294,410 S *	2/1988	Montesi	D24/110.1
D340,317 S *	10/1993	Cole	D24/110.1
D380,545 S *	7/1997	Nozaki	D24/110.1
D431,647 S *	10/2000	Henderson	D24/110.1
D440,302 S *	4/2001	Wolfe	D24/110.1
D473,299 S *	4/2003	Fecteau	D24/110.1
D566,835 S *	4/2008	Andrews	D24/110.1
D575,390 S *	8/2008	Scott	D24/110.1
D632,439 S *	2/2011	Lebel	D29/122
D645,956 S *	9/2011	Grimsley	D24/110.1
D697,199 S *	1/2014	Angadjivand	D24/110

D767,754 S *	9/2016	Danford	D24/110.1
D780,304 S *	2/2017	Veliss	D24/110.4
D811,581 S *	2/2018	Danford	D24/110.1
D820,974 S *	6/2018	Danford	D24/110.1
D821,568 S *	6/2018	Nilsson	D24/110.1
D822,289 S *	7/2018	O'Connell	D29/122
D838,836 S *	1/2019	Liu	D24/110.1
D843,562 S *	3/2019	Eitzman	D24/110.6
D870,390 S *	12/2019	Mao	D29/108
2015/0283410 A1 *	10/2015	Mueller	A62B 9/06 128/205.27
2017/0144000 A1 *	5/2017	Danford	A62B 9/02
2017/0258150 A1 *	9/2017	Abdulqader	A41D 13/1138

OTHER PUBLICATIONS

How do High-Altitude Training Masks Work? Dimok Training Mask, Phantom Athletics Training Mask, Training Mask 3.0, publication date Mar. 25, 2019, [online][site visited Apr. 6, 2021] URL: <https://hiconsumption.com/how-do-high-altitude-training-masks-work/> (Year: 2019).*

Reebok + Modla Flexweave Altitude Training Mask, publication date Jan. 9, 2018, [online][site visited Apr. 6, 2021] URL: <https://coolhunting.com/tech/reebok-modla-flexweave/> (Year: 2018).*

* cited by examiner

Primary Examiner — L. A. Grabenstetter

(57) **CLAIM**

The ornamental design for a respiratory mask, as shown and described.

DESCRIPTION

1. Respiratory mask

1.1 : Front

1.2 : Right

1.3 : Left

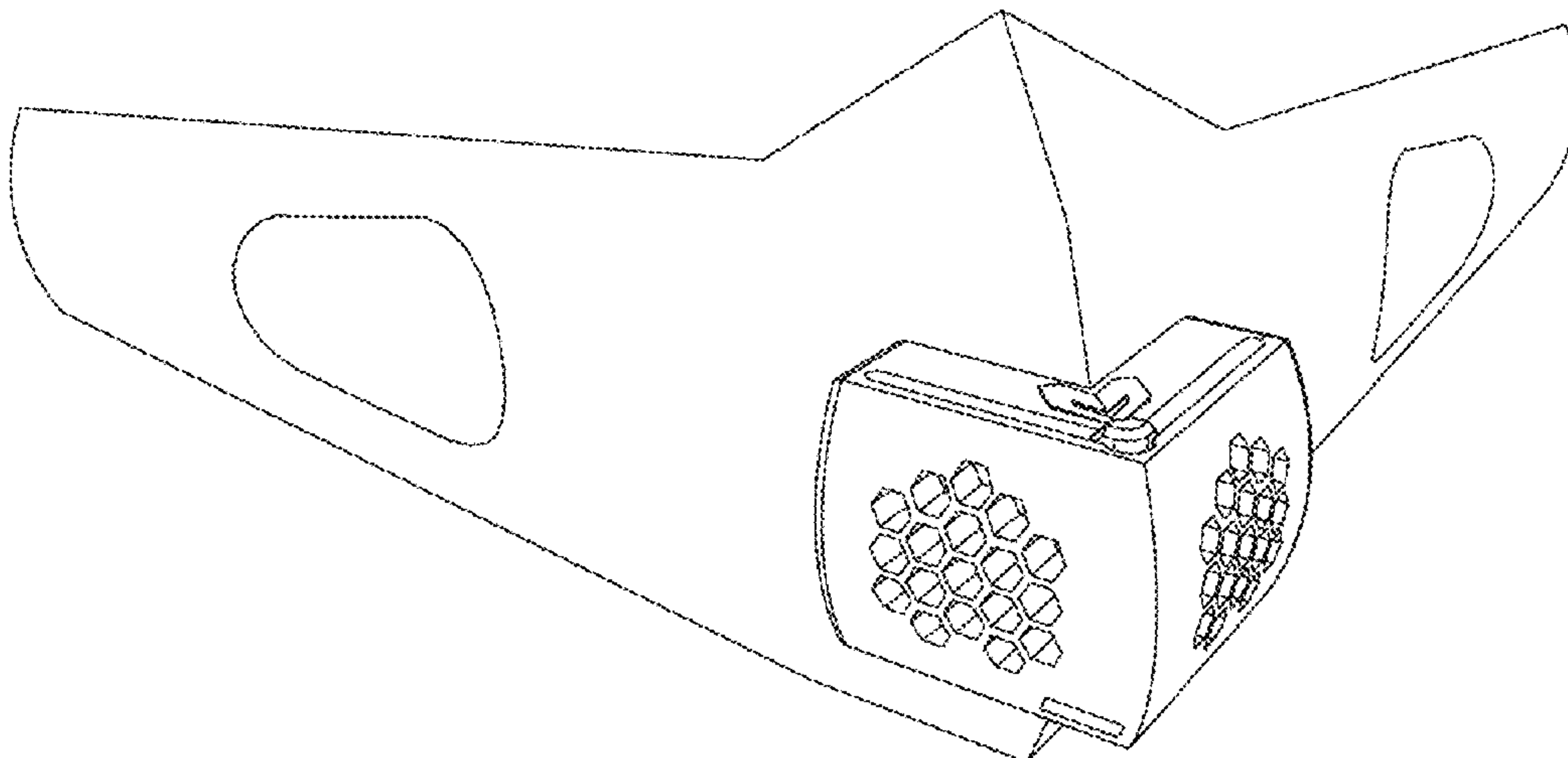
1.4 : Top

1.5 : Bottom

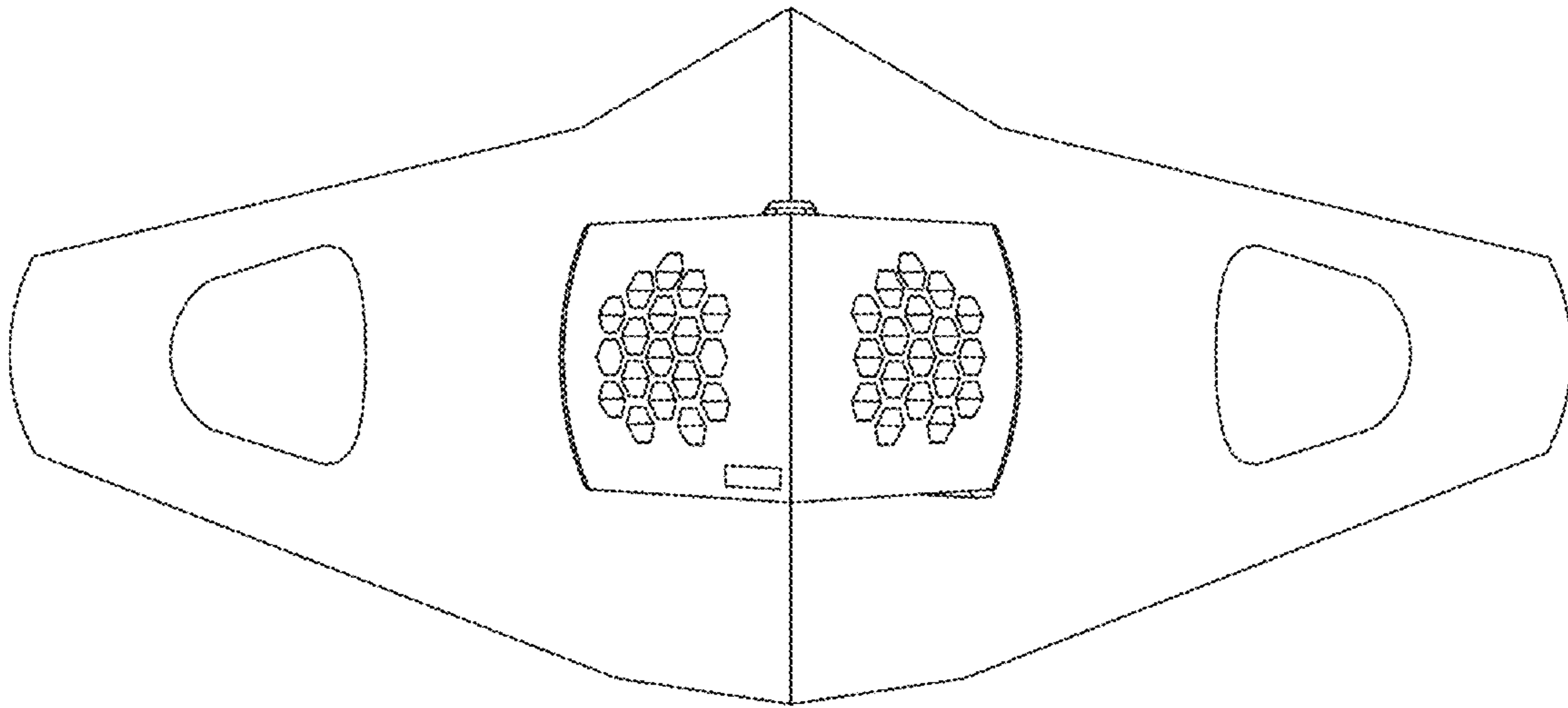
1.6 : Perspective

1 Claim, 3 Drawing Sheets

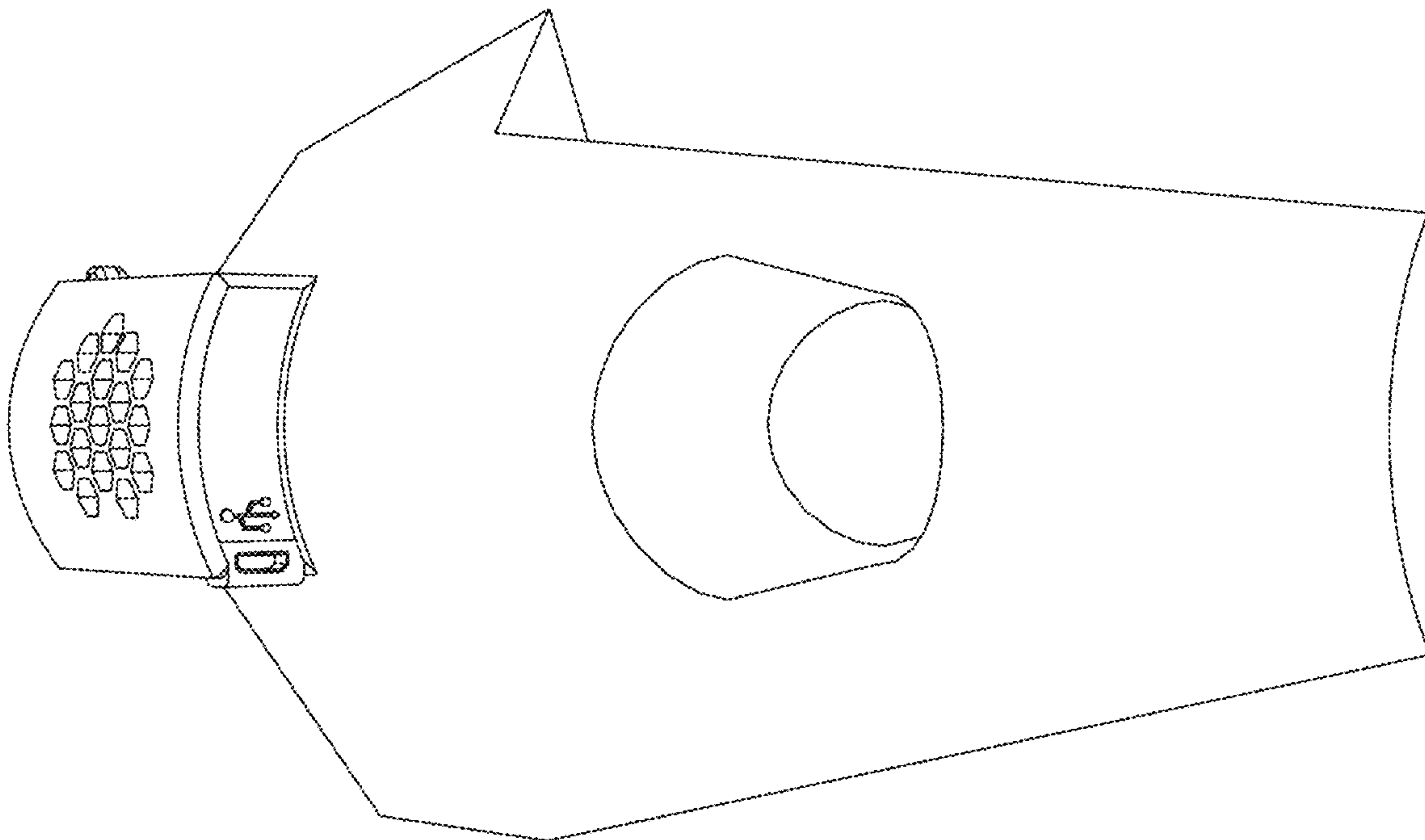
Perspective



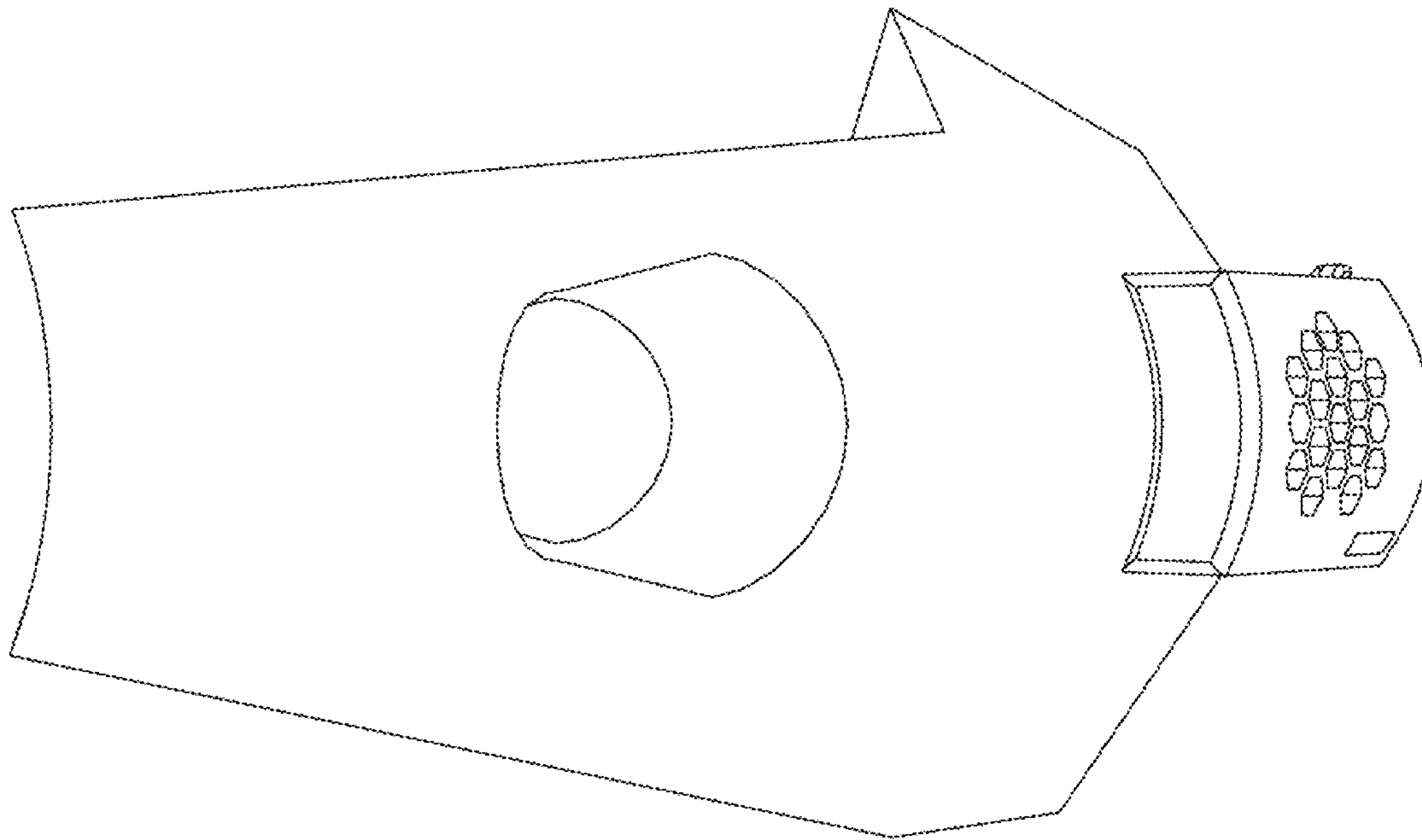
1.1
Front



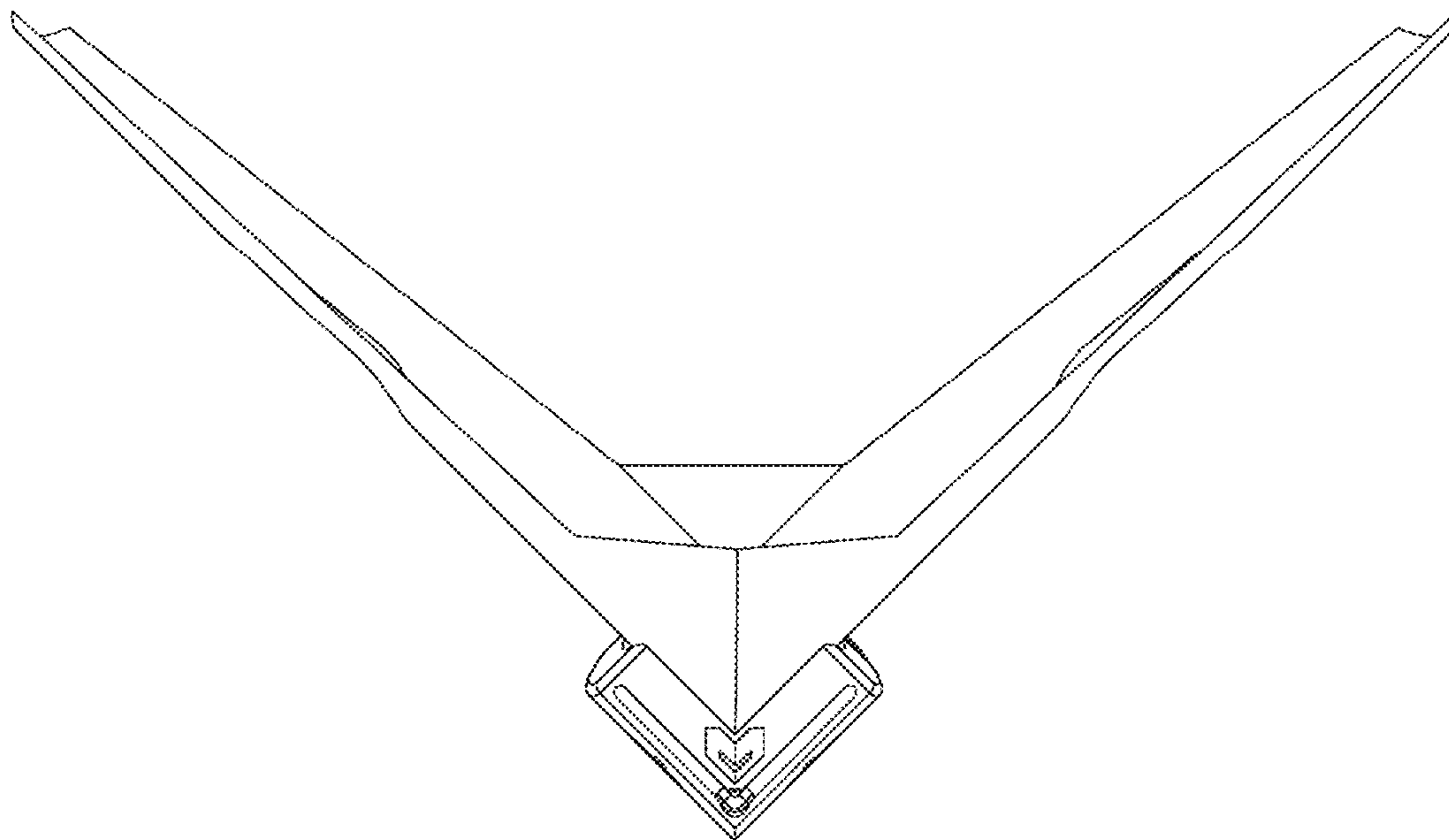
1.2
Right



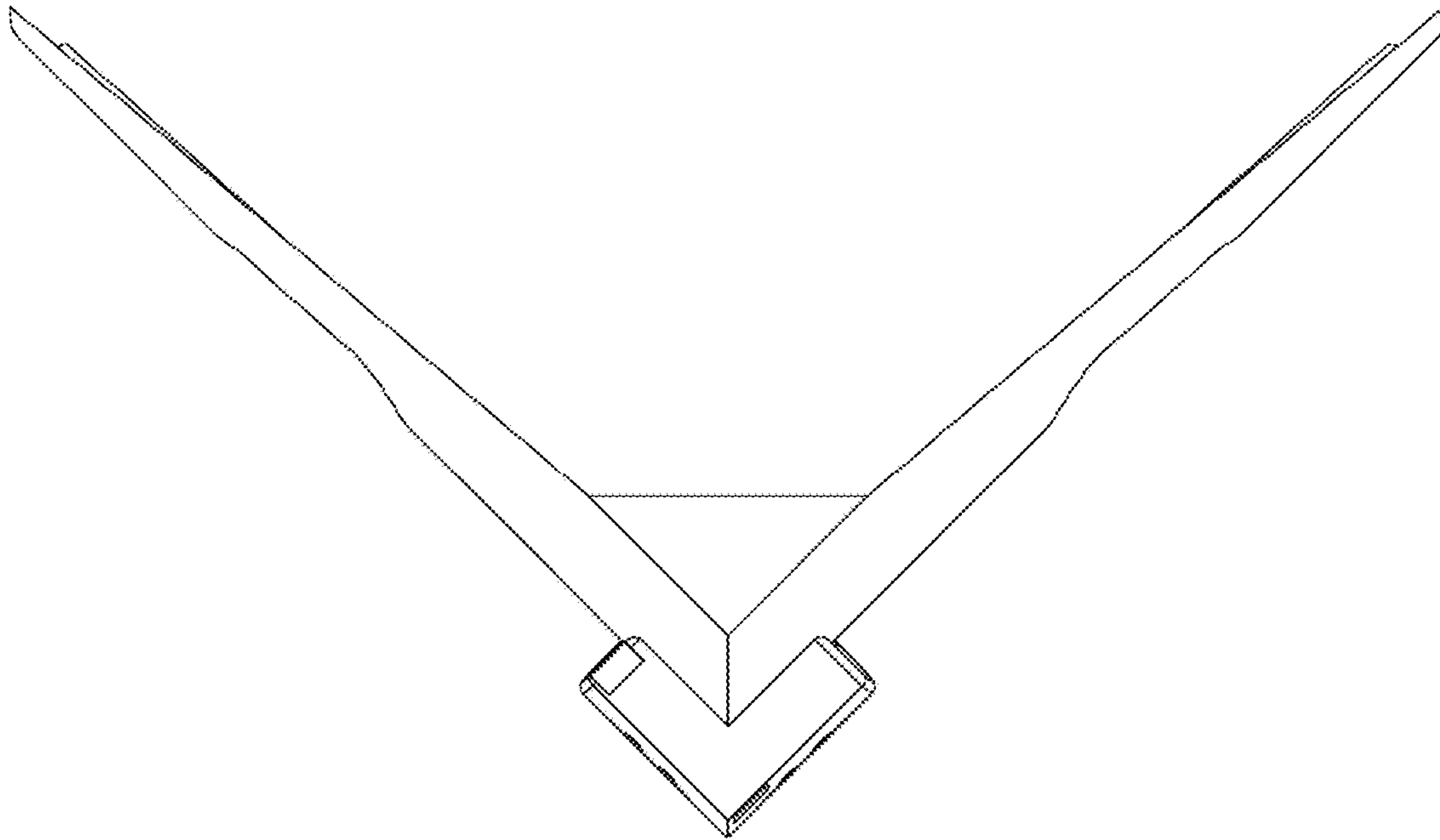
1.3
Left



1.4
Top



1.5
Bottom



1.6
Perspective

