



US00D936207S

(12) **United States Design Patent**
Mallady, Jr.

(10) **Patent No.:** **US D936,207 S**

(45) **Date of Patent:** **** Nov. 16, 2021**

(54) **PROTECTIVE FACE MASK**

(71) Applicant: **Roy C. Mallady, Jr.**, Atlanta, GA (US)

(72) Inventor: **Roy C. Mallady, Jr.**, Atlanta, GA (US)

(**) Term: **15 Years**

(21) Appl. No.: **29/734,037**

(22) Filed: **May 8, 2020**

(51) **LOC (13) Cl.** **29-02**

(52) **U.S. Cl.**
USPC **D24/110.1**

(58) **Field of Classification Search**

USPC D24/110, 110.1–110.4, 162; D29/102,
D29/105–108, 110

CPC . A41D 13/11; A41D 13/1107; A41D 13/1115;
A41D 13/113; A41D 13/1161; A41D
2400/52; A62B 23/025; A62B 18/025

See application file for complete search history.

(56) **References Cited**

U.S. PATENT DOCUMENTS

1,990,200	A *	2/1935	Nemzek	A41D 13/11 2/206
5,561,863	A *	10/1996	Carlson, II	A41D 13/1115 128/206.19
D400,674	S *	11/1998	Miura	D24/110.1
D642,258	S *	7/2011	Messier	D24/110.1
D642,259	S *	7/2011	Messier	D24/110.1
D693,062	S *	11/2013	Bowen	D29/108
D803,391	S *	11/2017	Reese	D24/110.1
D854,144	S *	7/2019	Bowen	D24/110.1
2014/0076334	A1 *	3/2014	Cheng	A61B 46/00 128/857
2016/0029716	A1 *	2/2016	Duncan	A41D 13/11 128/863
2018/0007982	A1 *	1/2018	Reese	A41D 31/14

* cited by examiner

Primary Examiner — Lilyana Bekic

Assistant Examiner — Lee D. Starr

(74) *Attorney, Agent, or Firm* — David L. King

(57) **CLAIM**

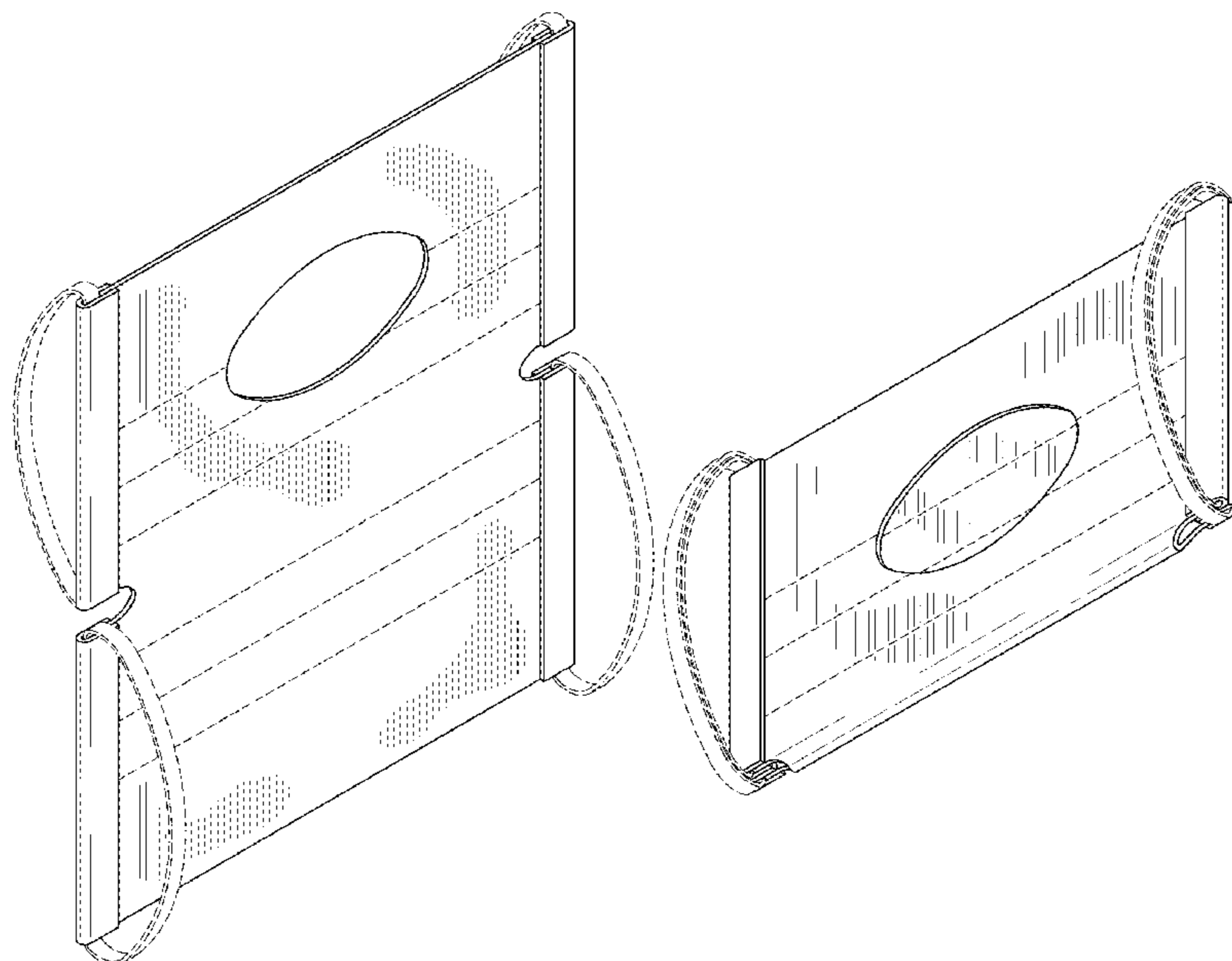
The ornamental design for a “protective face mask,” as shown and described.

DESCRIPTION

FIG. 1 is a top front left perspective view of a protective face mask in an open position showing my new design; FIG. 2 is a bottom rear left perspective view thereof; FIG. 3 is a front elevational view thereof; FIG. 4 is a rear elevational view thereof; FIG. 5 is a top plan view thereof; FIG. 6 is a bottom plan view thereof; FIG. 7 is a left side elevational view thereof; FIG. 8 is a right side elevational view thereof; FIG. 9 is a front left perspective view thereof, shown in a closed position on a wearer in an environment of use; FIG. 10 is a top front left perspective view of the protective face mask in a closed position; FIG. 11 is a bottom rear left perspective view thereof; FIG. 12 is a front elevational view thereof; FIG. 13 is a rear elevational view thereof; FIG. 14 is a top plan view thereof; FIG. 15 is a bottom plan view thereof; FIG. 16 is a left side elevational view thereof; and, FIG. 17 is a right side elevational view thereof.

The dash-dash broken line showing of the wearer in FIG. 9 depicts environmental subject matter that forms no part of the claimed design. The short dash-short dash-long dash broken lines in FIG. 9 depict a boundary of the environment and form no part of the claimed design. All other broken lines in the drawings depict portions of the protective face mask that form no part of the claimed design.

1 Claim, 9 Drawing Sheets



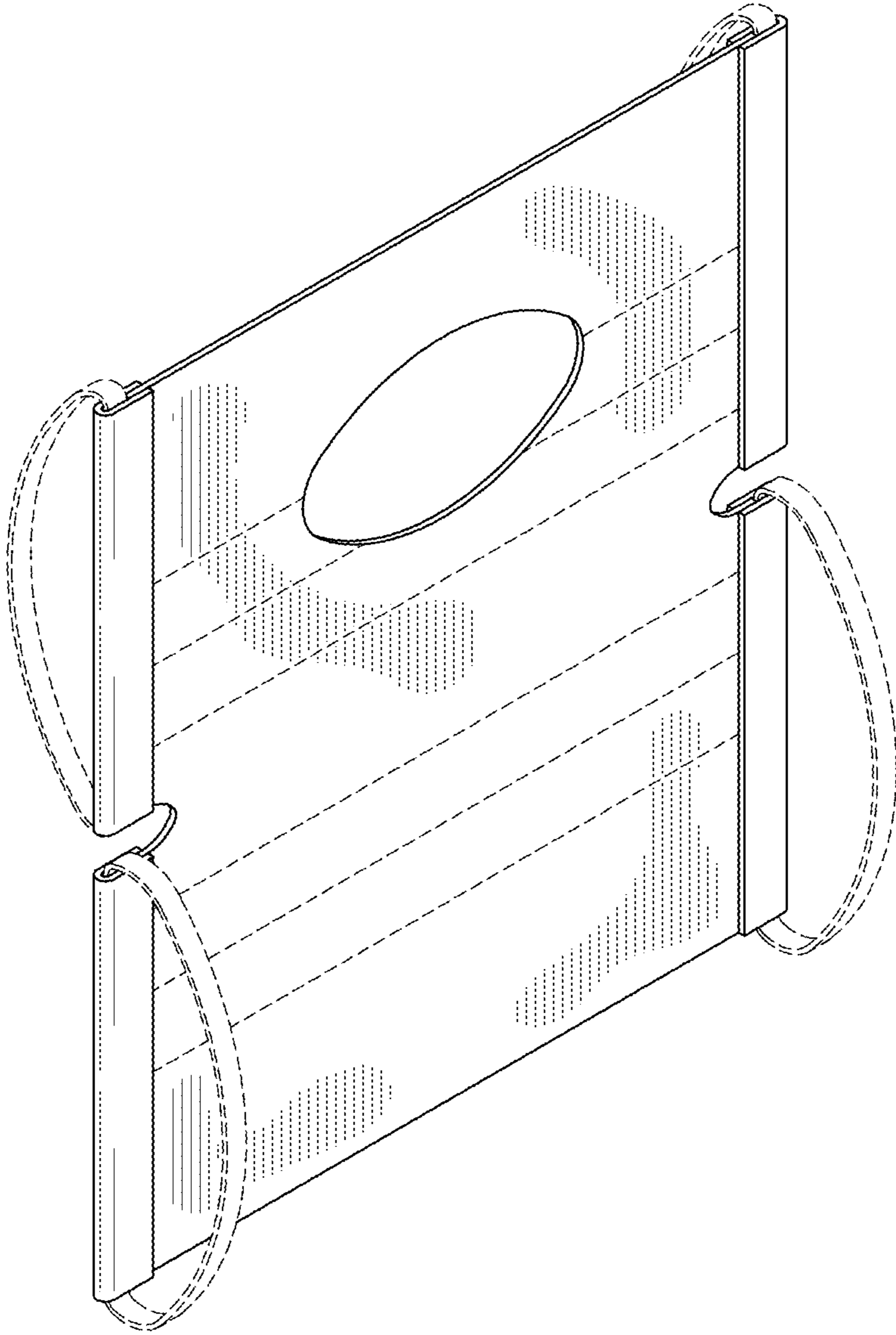


FIG. 1

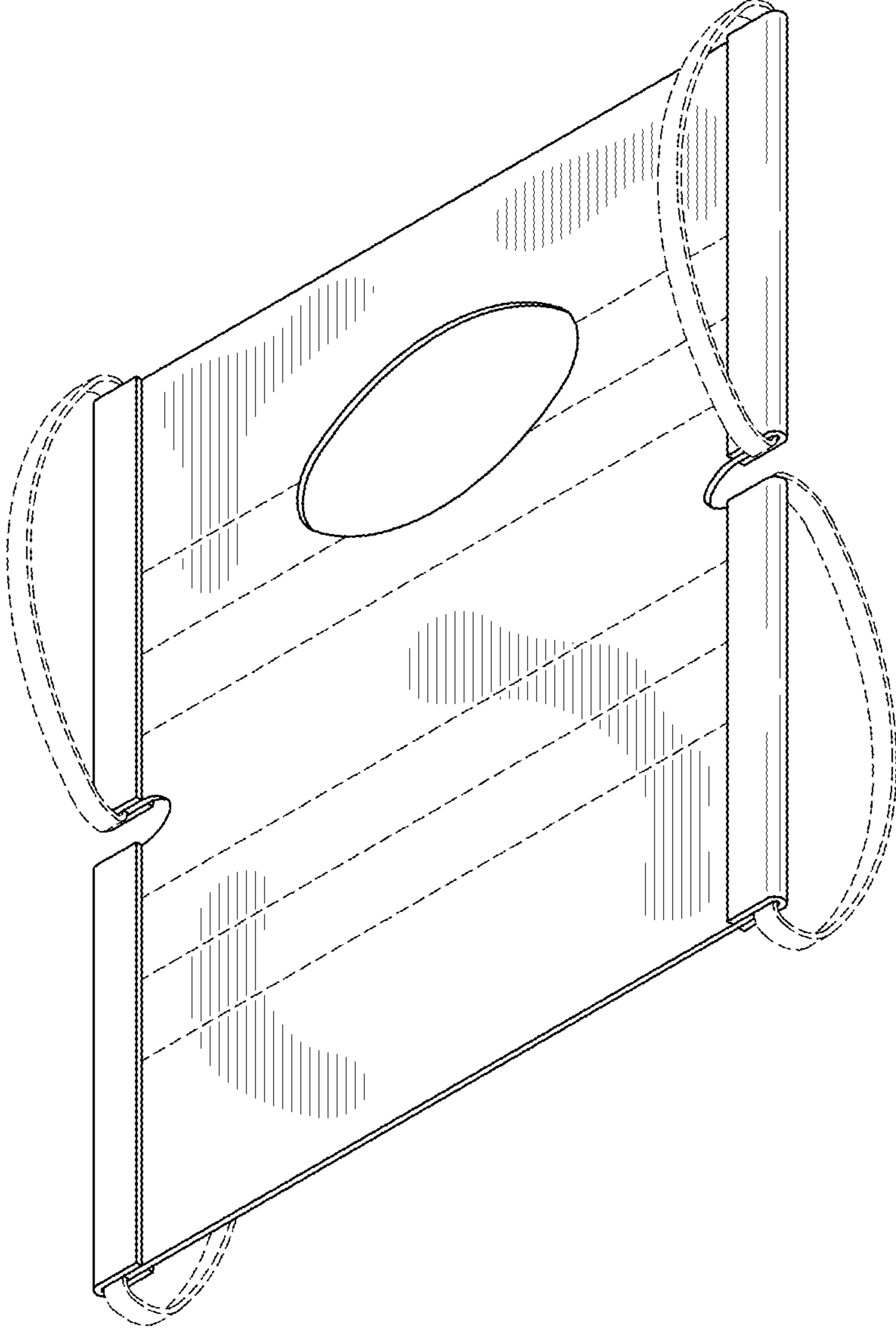


FIG. 2

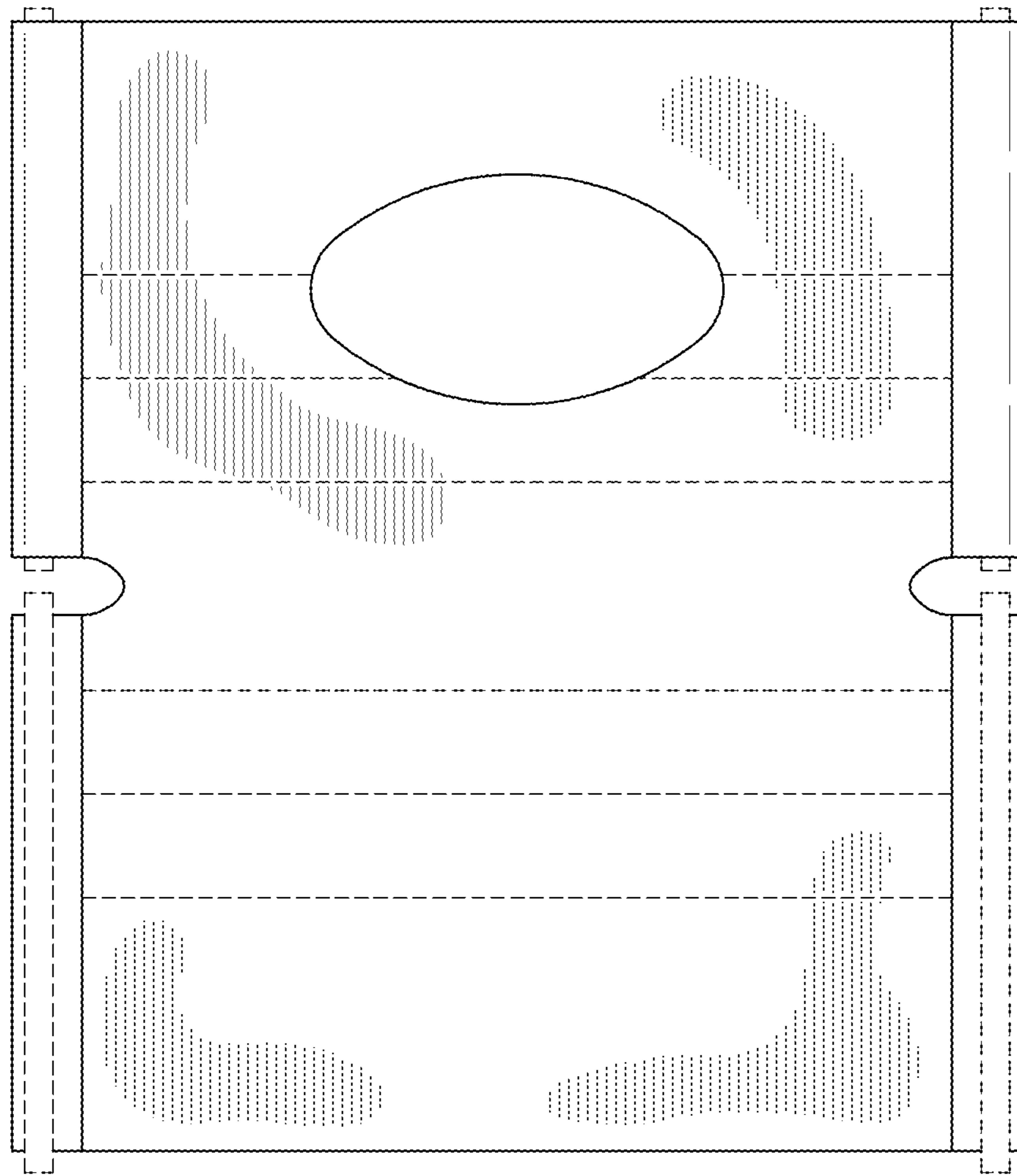


FIG. 3

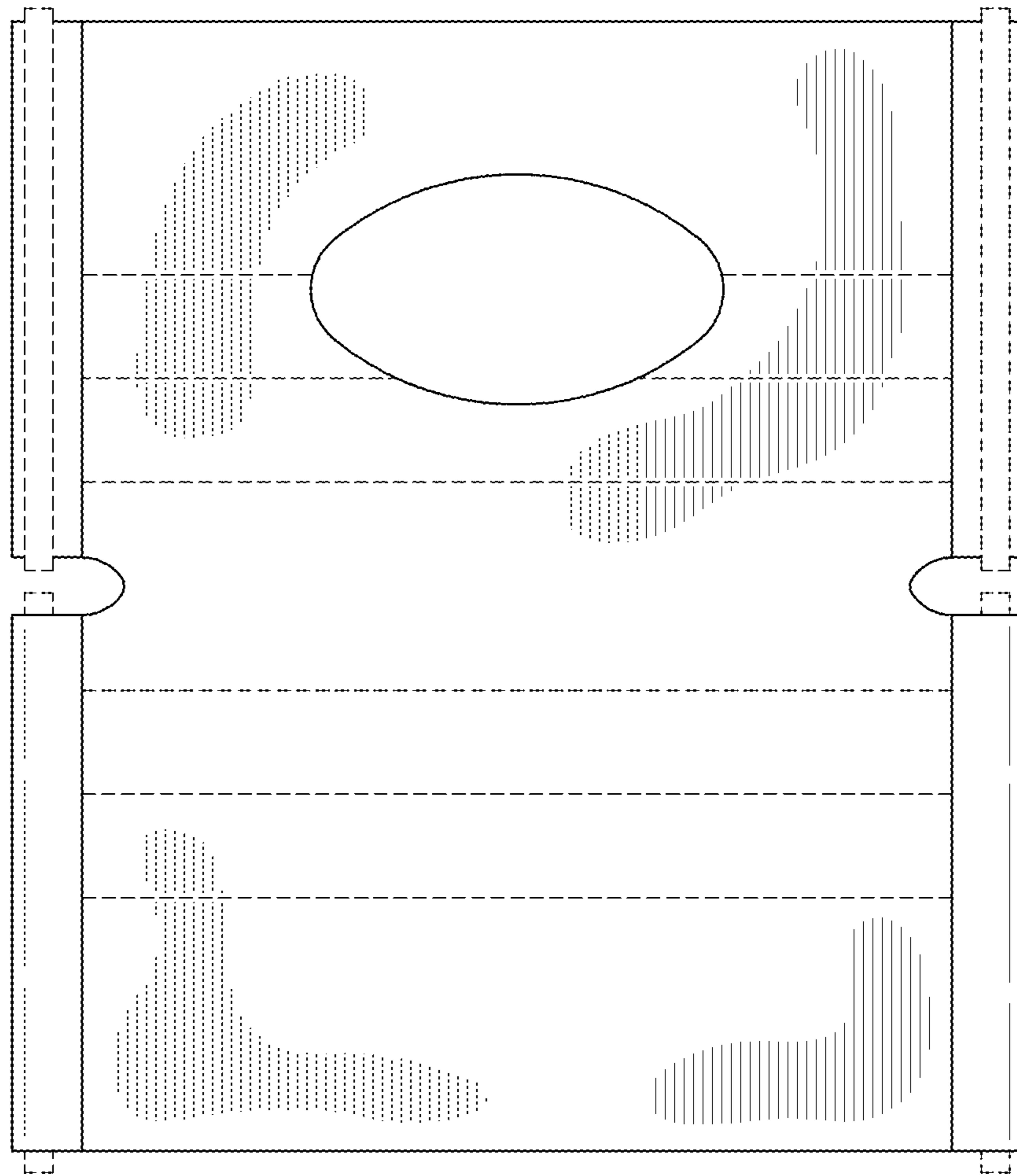


FIG. 4

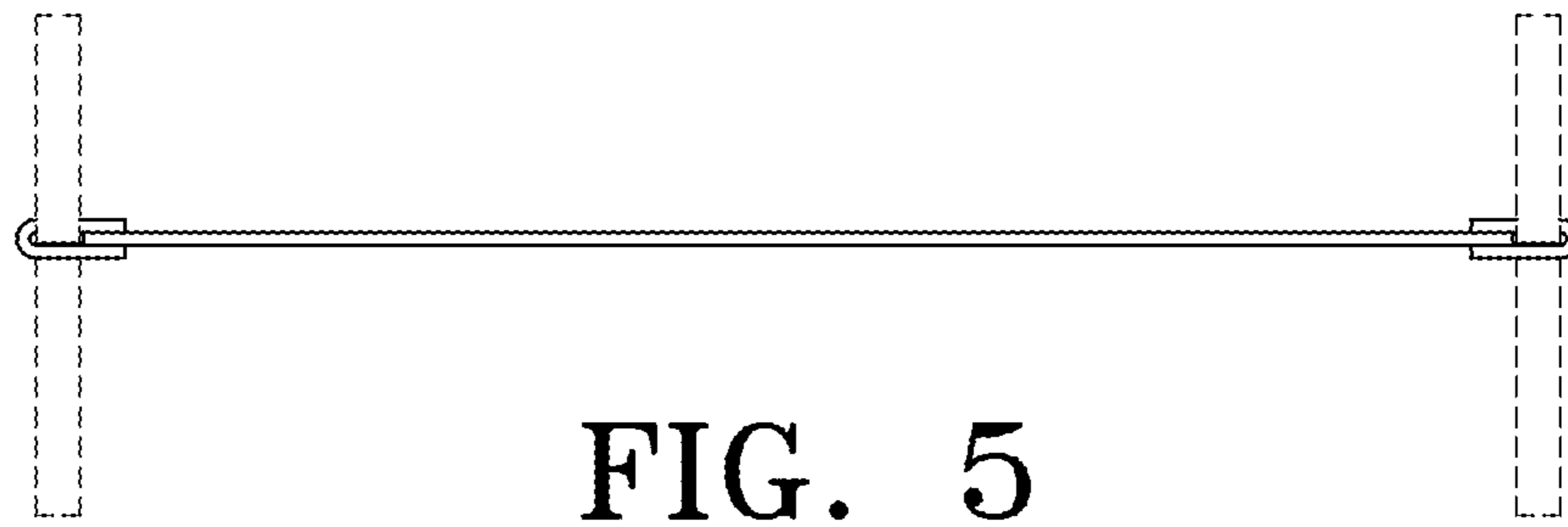


FIG. 5

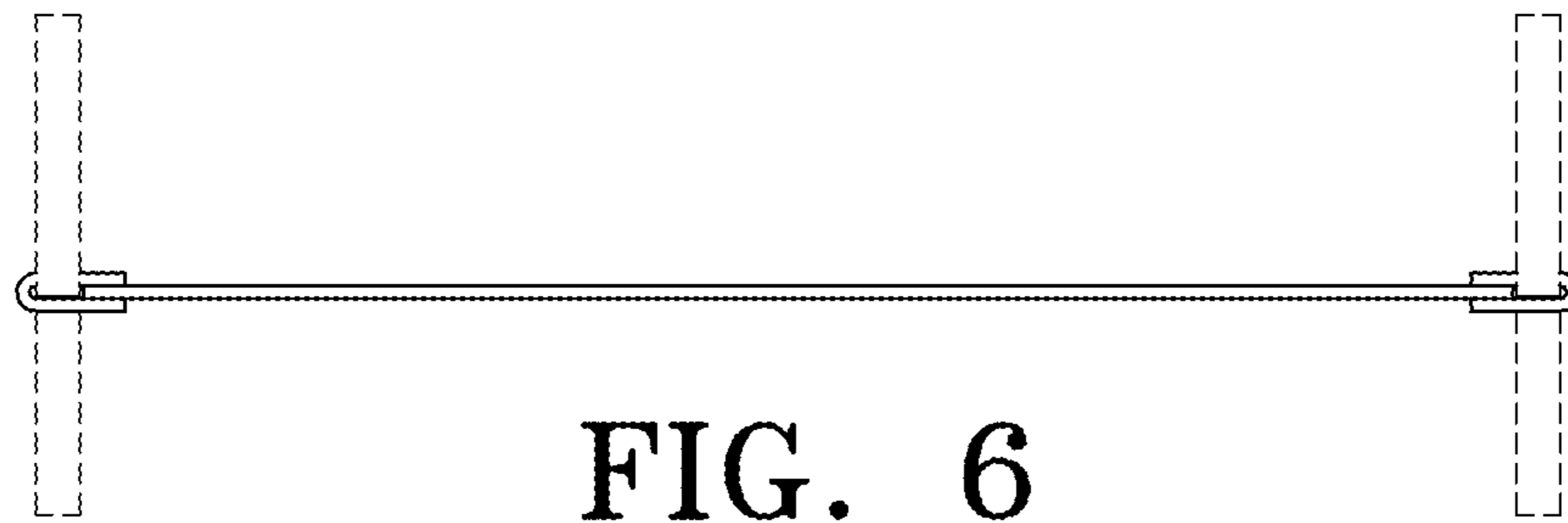


FIG. 6

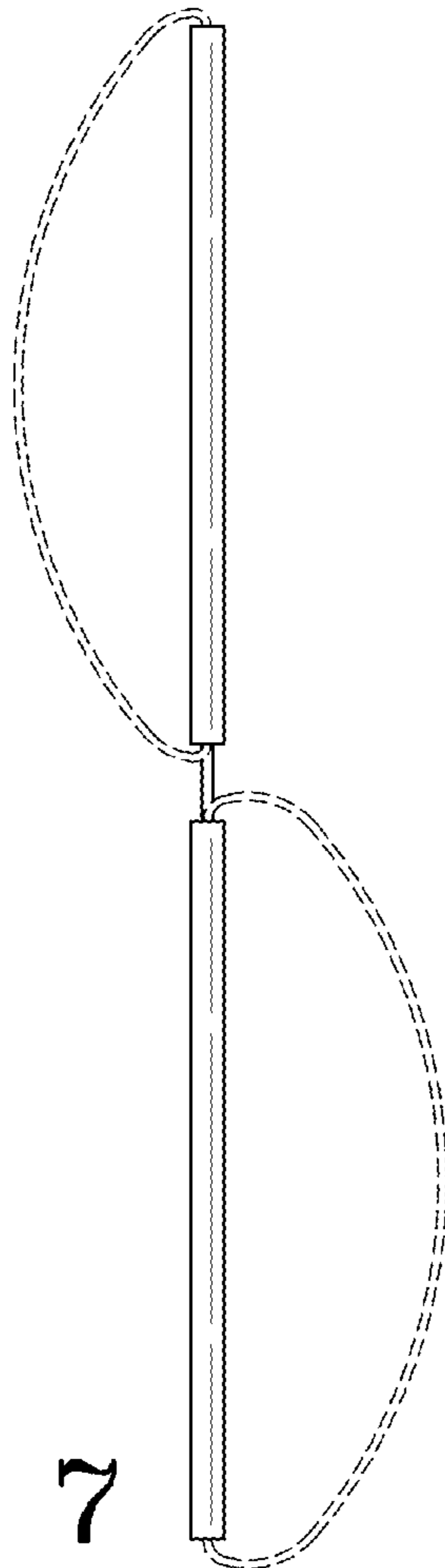


FIG. 7

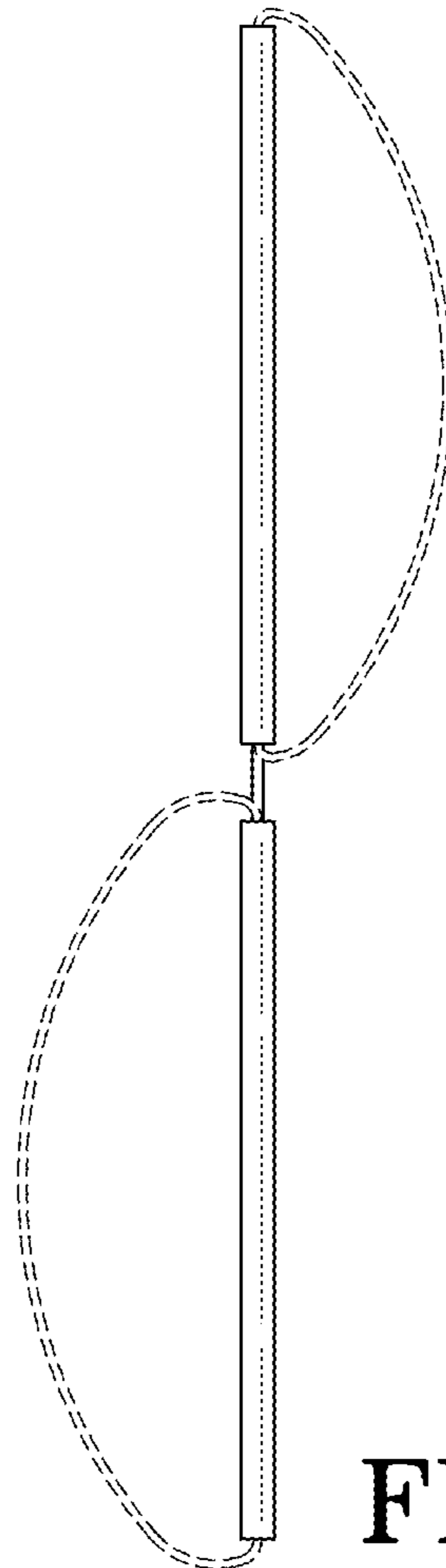


FIG. 8

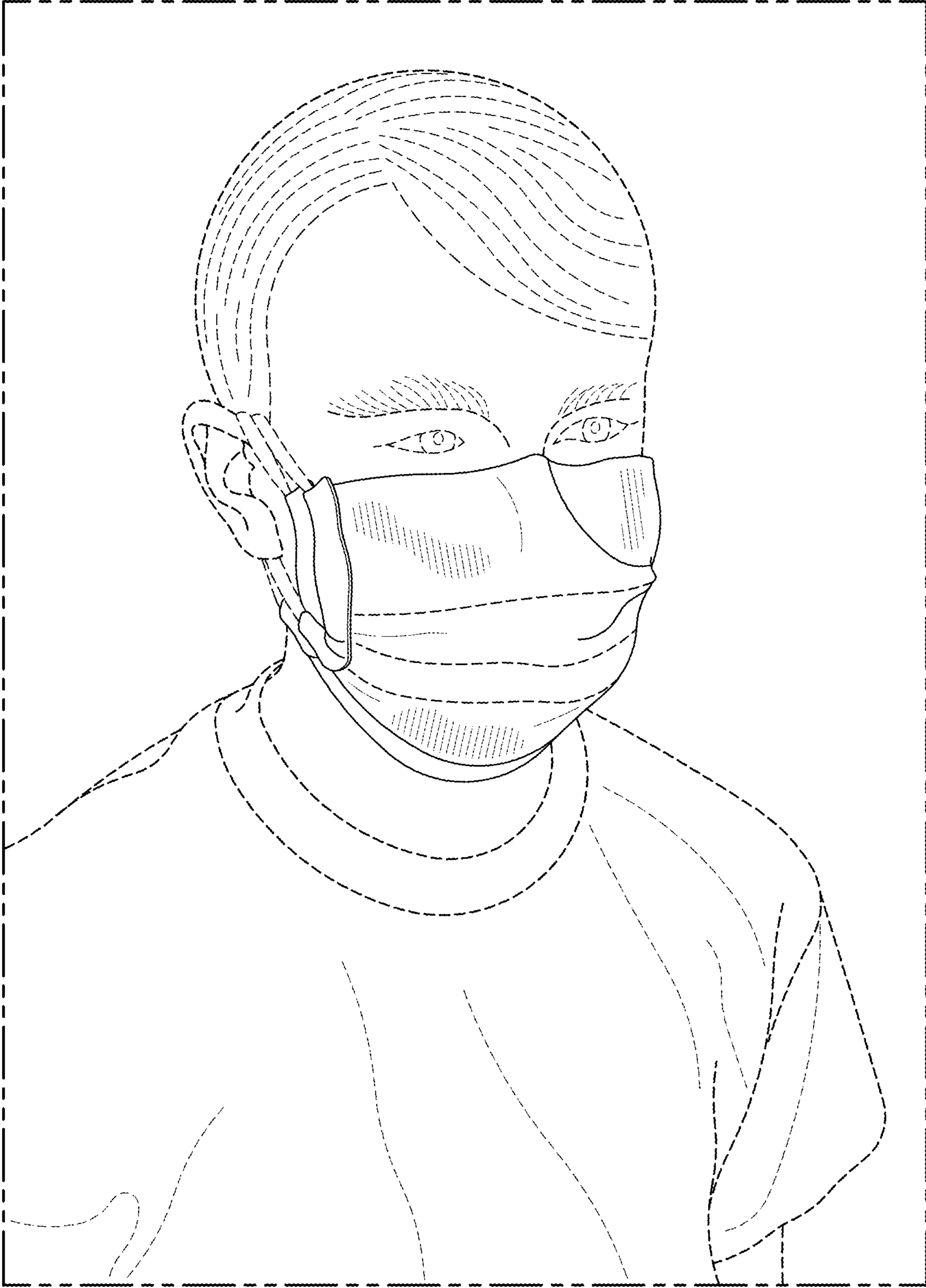


FIG. 9

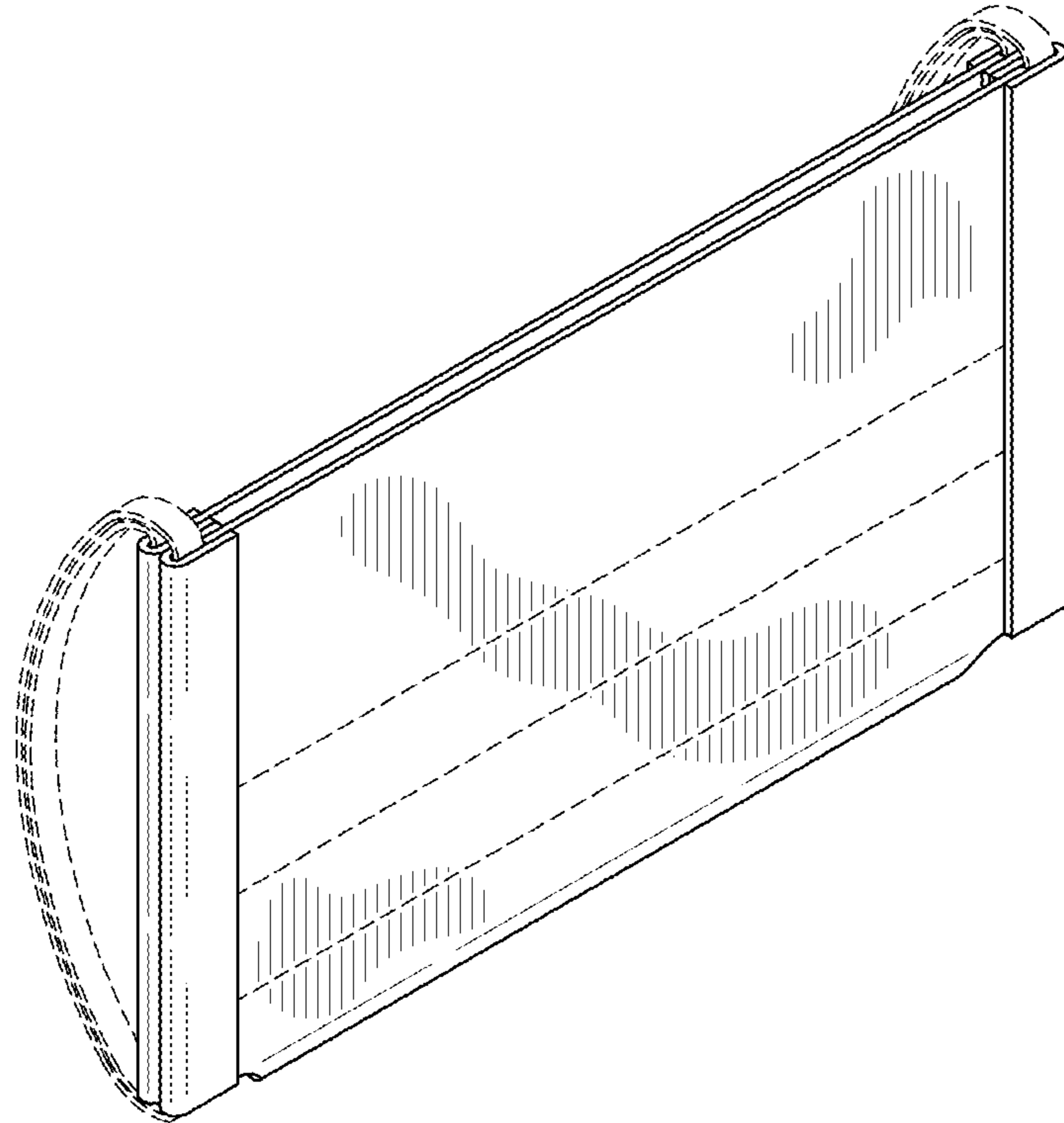


FIG. 10

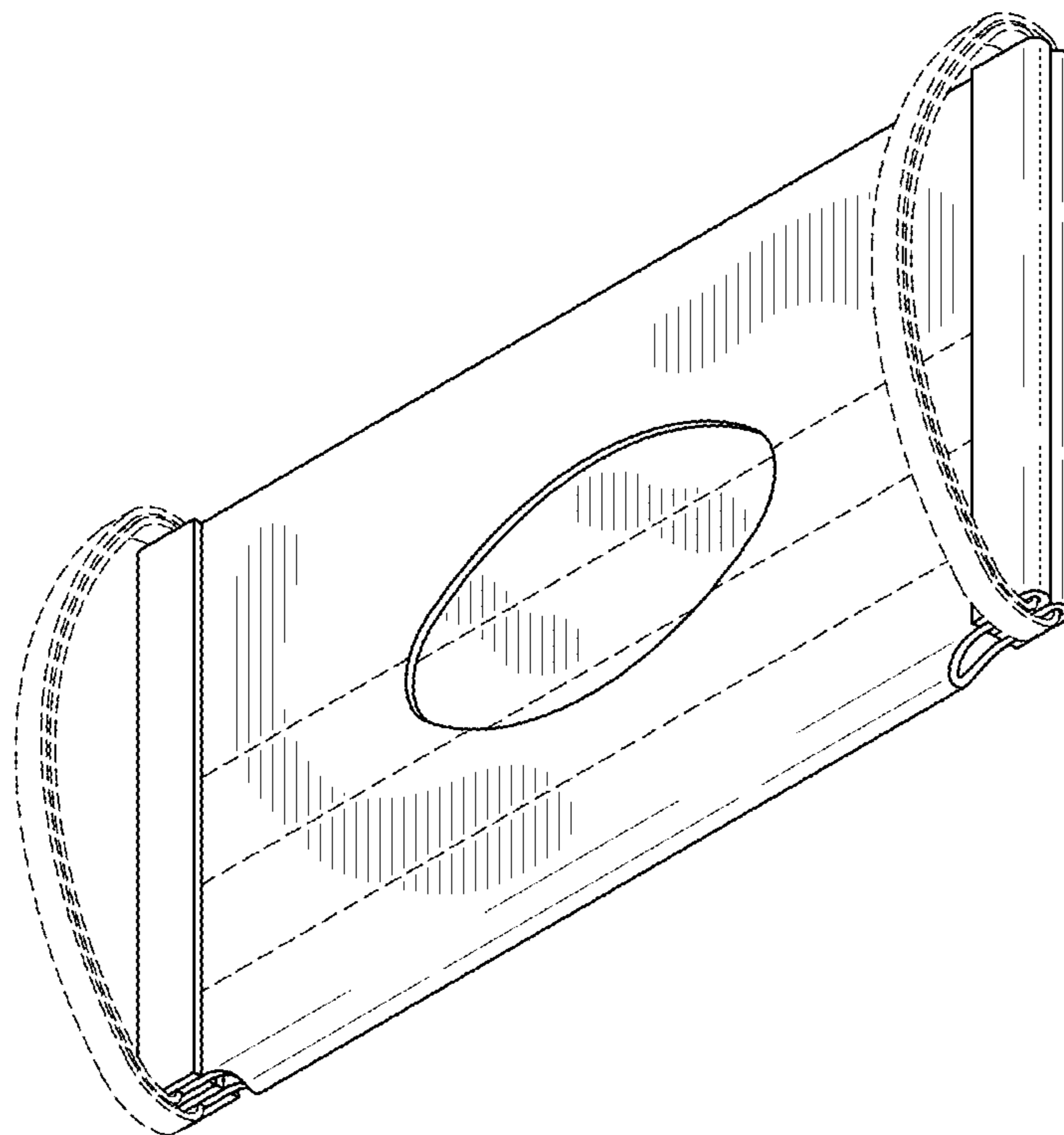


FIG. 11

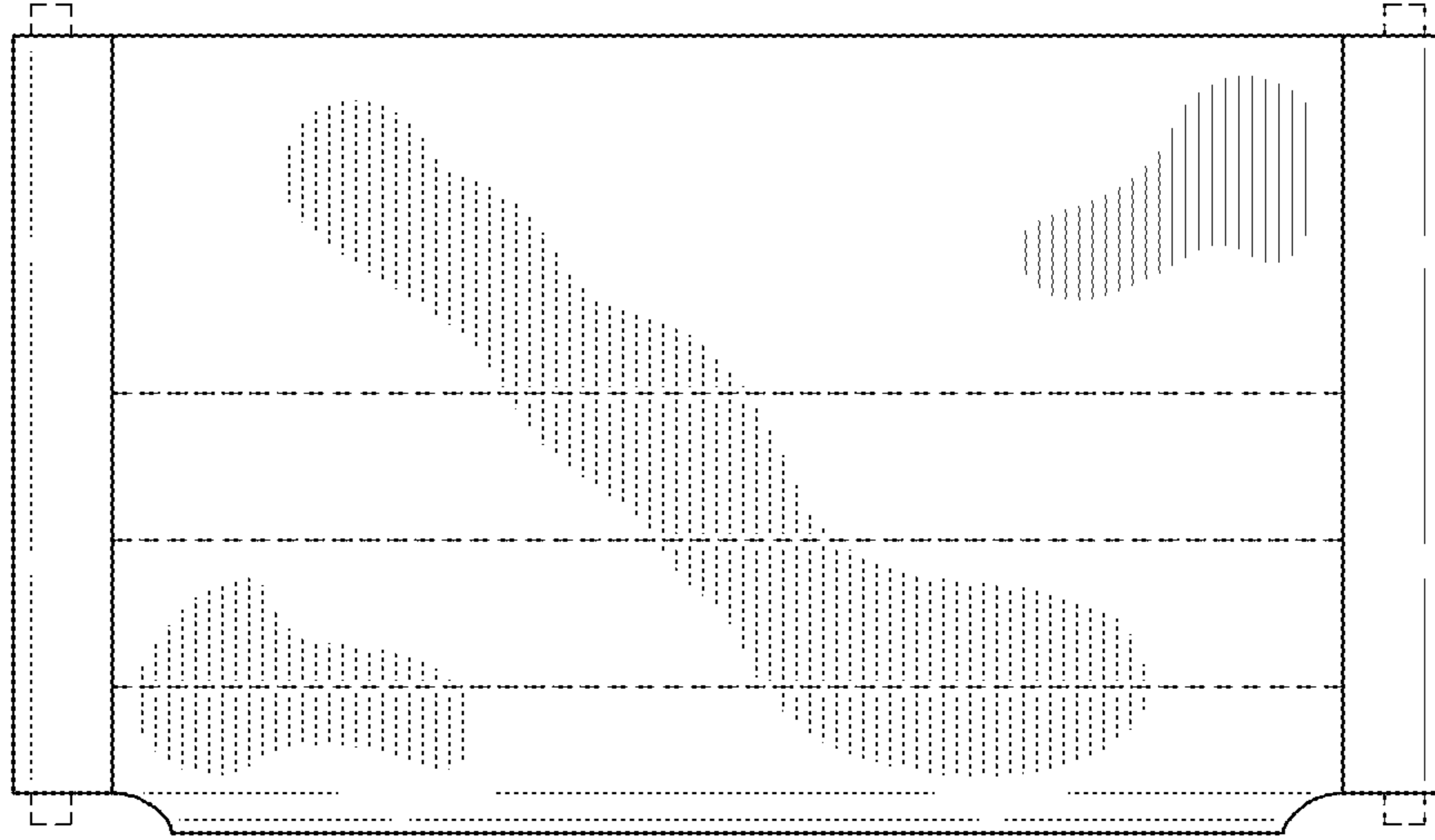


FIG. 12

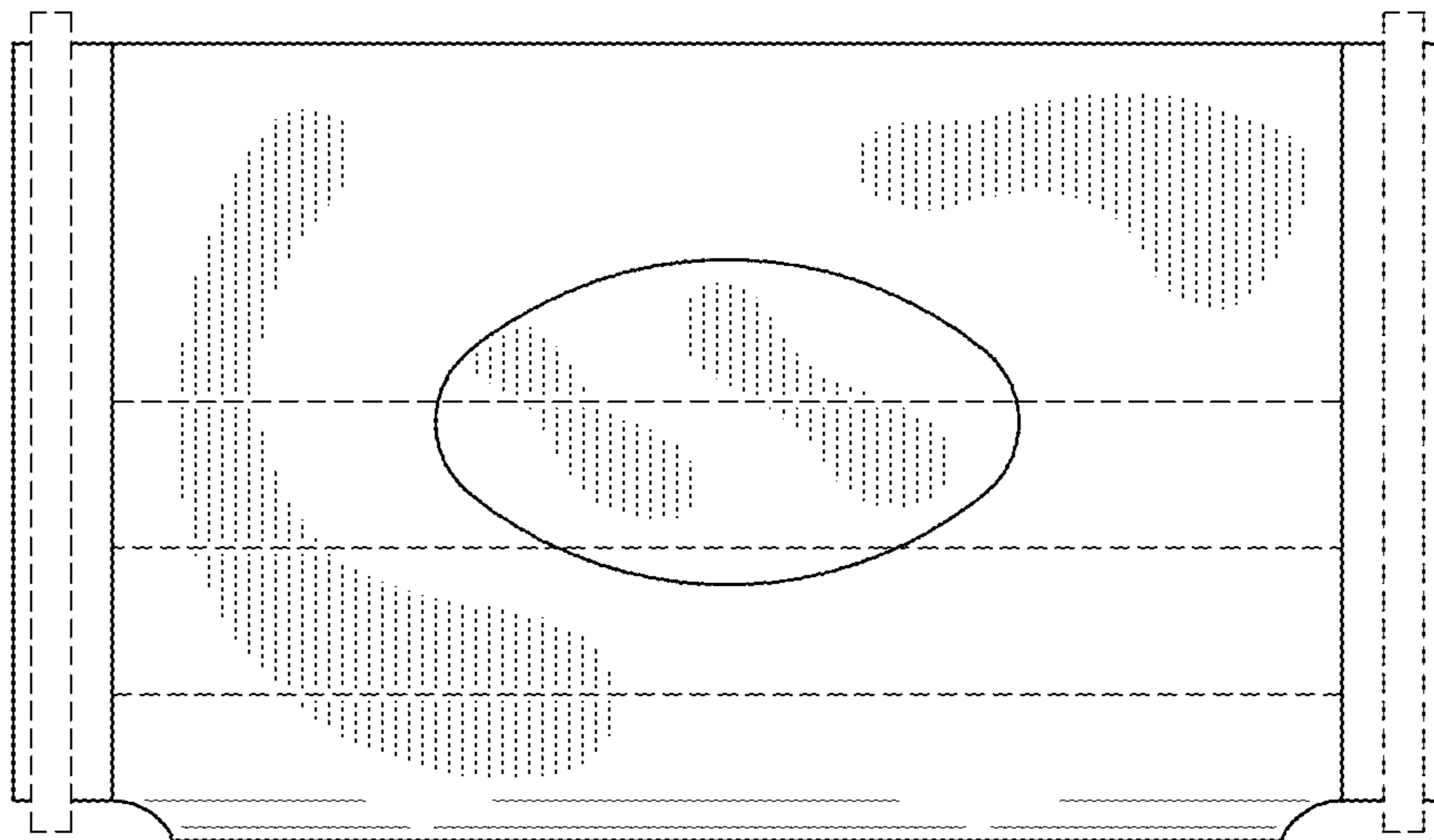


FIG. 13



FIG. 14

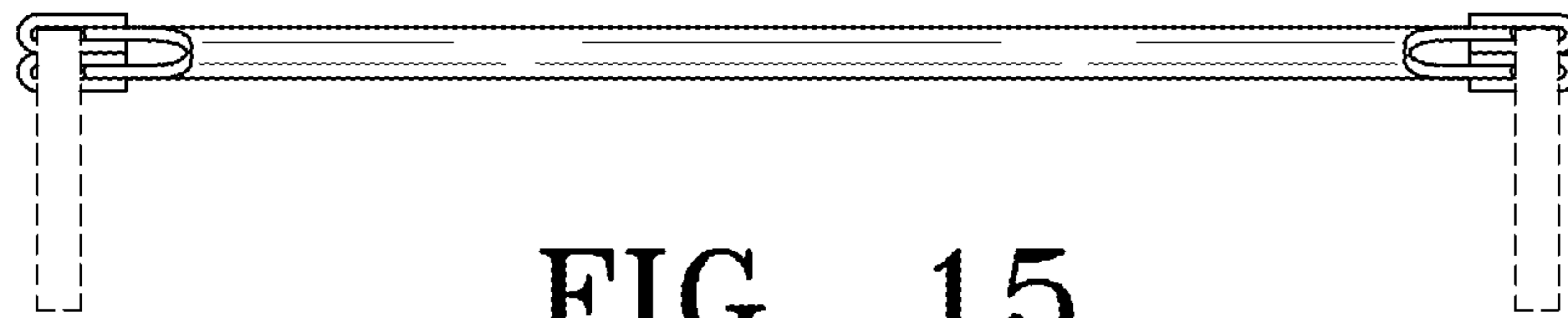


FIG. 15

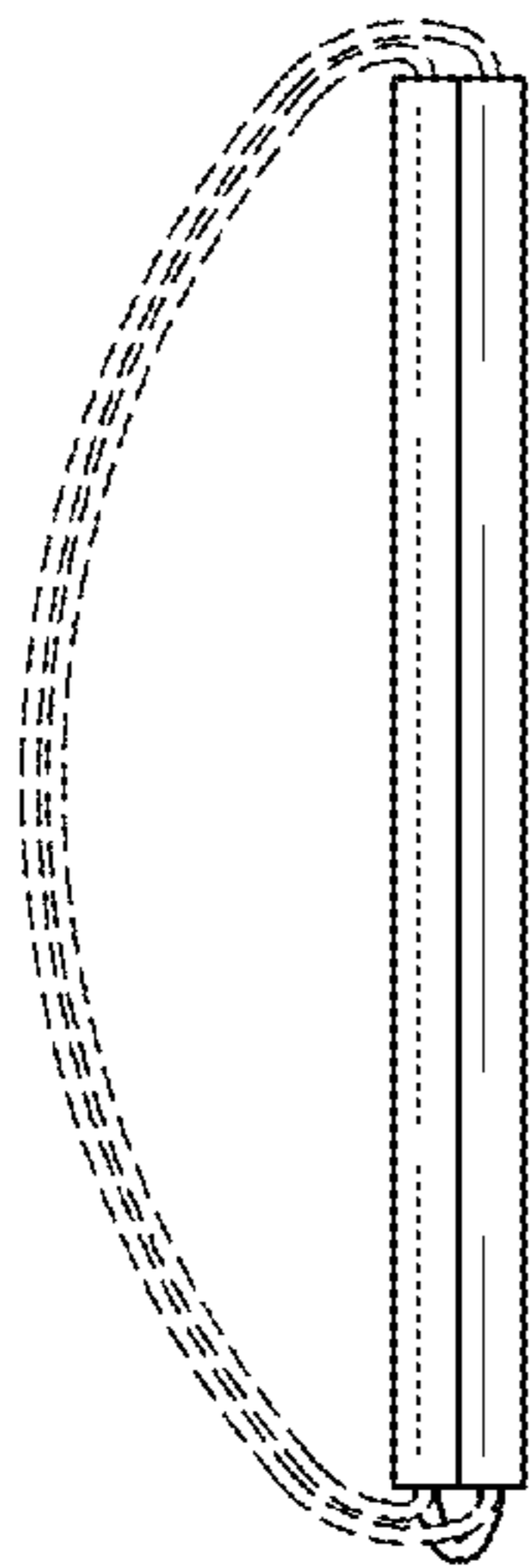


FIG. 16

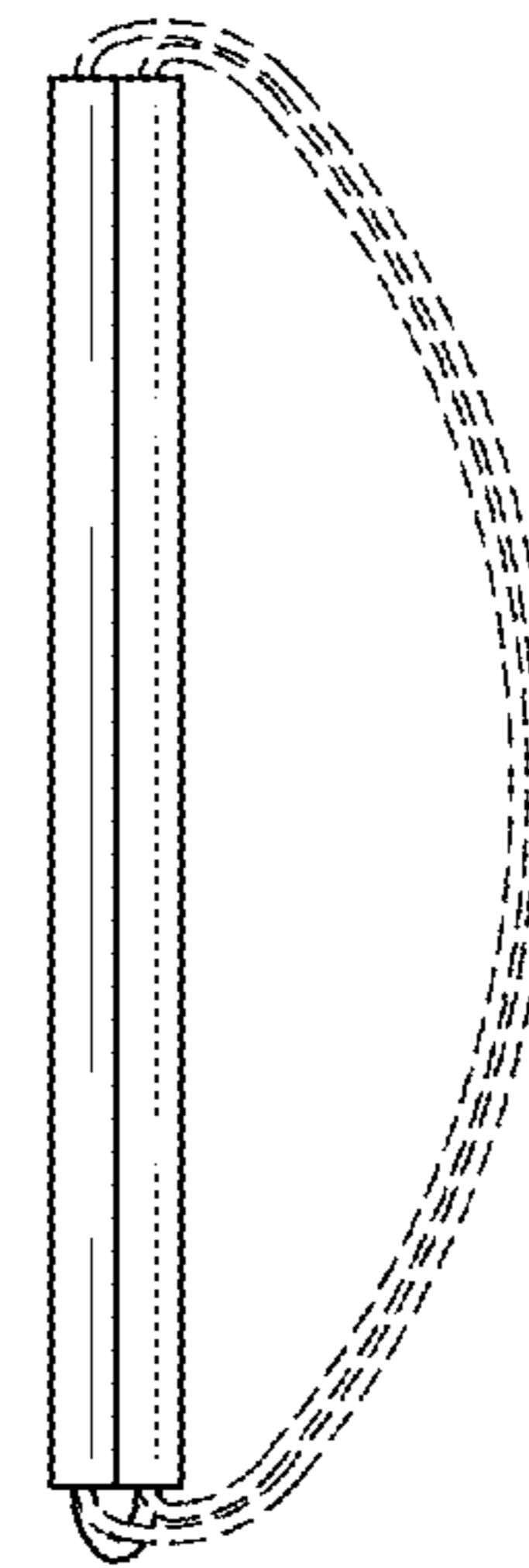


FIG. 17