



US00D936205S

(12) **United States Design Patent** (10) **Patent No.:** **US D936,205 S**
Casiello et al. (45) **Date of Patent:** **** Nov. 16, 2021**

- (54) **IMPLANTABLE PORT**
- (71) Applicant: **ANGIODYNAMICS, INC.**, Latham, NY (US)
- (72) Inventors: **Damon Casiello**, Worcester, MA (US); **James Steven Kenny**, Queensbury, NY (US); **Maura Pinard**, Lowell, MA (US)
- (73) Assignee: **ANGIODYNAMICS, INC.**, Latham, NY (US)
- (**) Term: **15 Years**
- (21) Appl. No.: **29/765,001**
- (22) Filed: **Jan. 5, 2021**

D650,475 S	12/2011	Smith et al.	
D676,955 S	2/2013	Orome	
D682,416 S	5/2013	Trebella	
10,307,581 B2	6/2019	Hibdon	
2004/0204692 A1	10/2004	Eliassen	
2006/0100592 A1	5/2006	Eliassen	
2006/0178647 A1	8/2006	Stats	
2007/0073250 A1	3/2007	Schneiter	
2007/0233018 A1	10/2007	Bizup	
2007/0282308 A1	12/2007	Bell	
2009/0024098 A1*	1/2009	Bizup A61M 39/04 604/288.02
2009/0204072 A1	8/2009	Amin	
2010/0042073 A1	2/2010	Oster	
2010/0063451 A1	3/2010	Gray	
2010/0268165 A1	10/2010	Maniar	
2011/0092921 A1*	4/2011	Beling A61M 39/0208 604/288.02
2011/0118677 A1	5/2011	Wiley	

(Continued)

Related U.S. Application Data

- (63) Continuation of application No. 29/622,264, filed on Oct. 16, 2017, now Pat. No. Des. 908,204.
- (51) **LOC (13) Cl.** **24-01**
- (52) **U.S. Cl.**
USPC **D24/108**
- (58) **Field of Classification Search**
USPC D24/107-108, 111-114, 133, 127, 186, D24/129-130, 155
CPC A61M 39/0208; A61M 39/0247; A61M 5/178; A61M 5/20; A61M 5/31; A61M 5/3146; A61M 5/3129; A61M 5/3148
See application file for complete search history.

References Cited

U.S. PATENT DOCUMENTS

D337,637 S	7/1993	Tucker
D546,440 S	7/2007	Burnside
D556,153 S	11/2007	Burnside
D574,950 S	8/2008	Zawacki et al.
D595,892 S	7/2009	Smith et al.
D612,479 S	3/2010	Zawacki et al.

Primary Examiner — Sheryl Lane
Assistant Examiner — Aula Soroush
(74) *Attorney, Agent, or Firm* — Heslin Rothenberg Farley & Mesiti P.C.

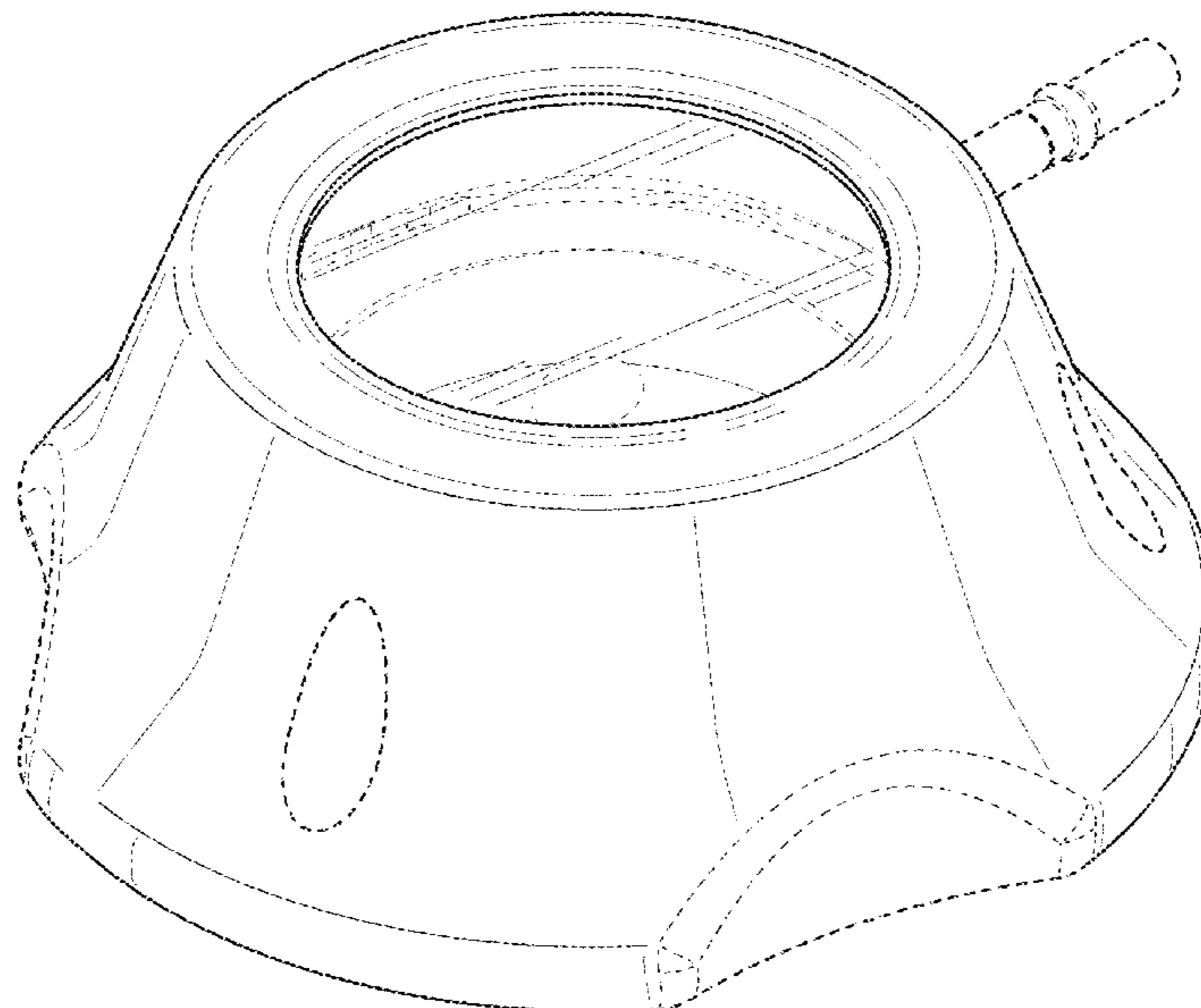
(57) **CLAIM**

The ornamental design for an implantable port, as shown and described.

DESCRIPTION

FIG. 1 is a perspective view of an implantable port comprising the new design;
FIG. 2 is front view thereof;
FIG. 3 is a back view thereof;
FIG. 4 is a right side view thereof;
FIG. 5 is a left side view thereof;
FIG. 6 is a top view thereof; and,
FIG. 7 is a bottom view thereof.
The broken lines depict portions of the implantable port that form no part of the claimed design.

1 Claim, 5 Drawing Sheets



(56)

References Cited

U.S. PATENT DOCUMENTS

2011/0160673 A1* 6/2011 Magalich A61M 39/0208
604/175

2011/0288502 A1 11/2011 Hibdon

* cited by examiner

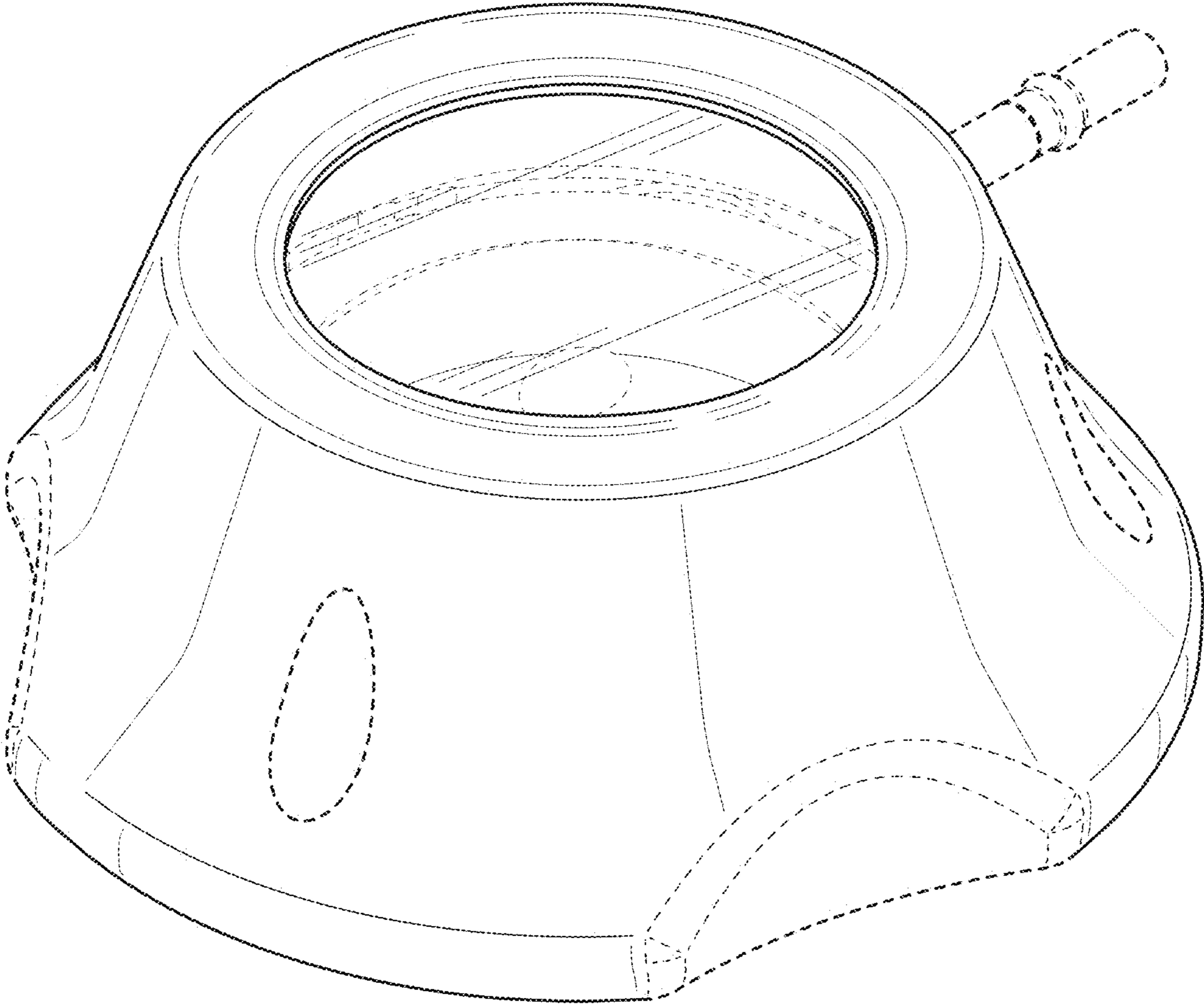


FIG. 1

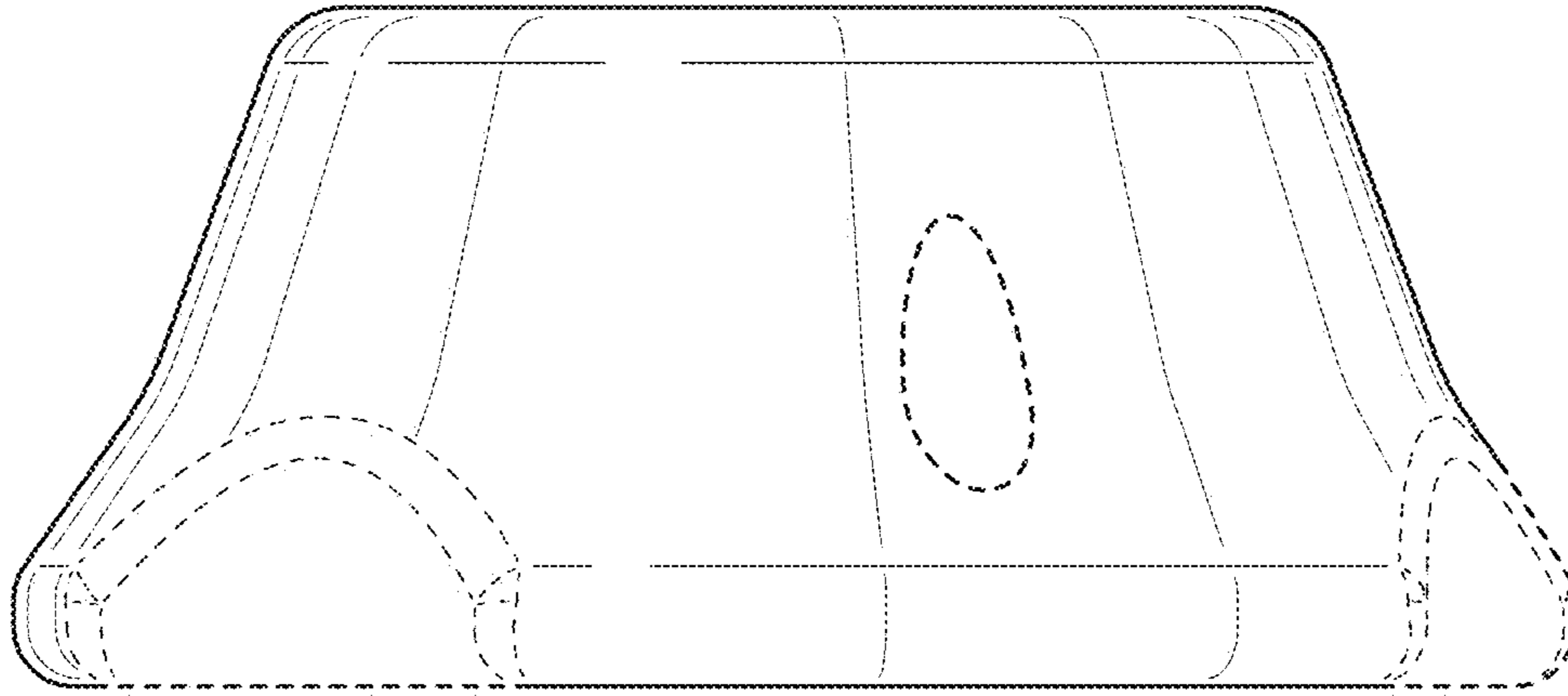


FIG. 2

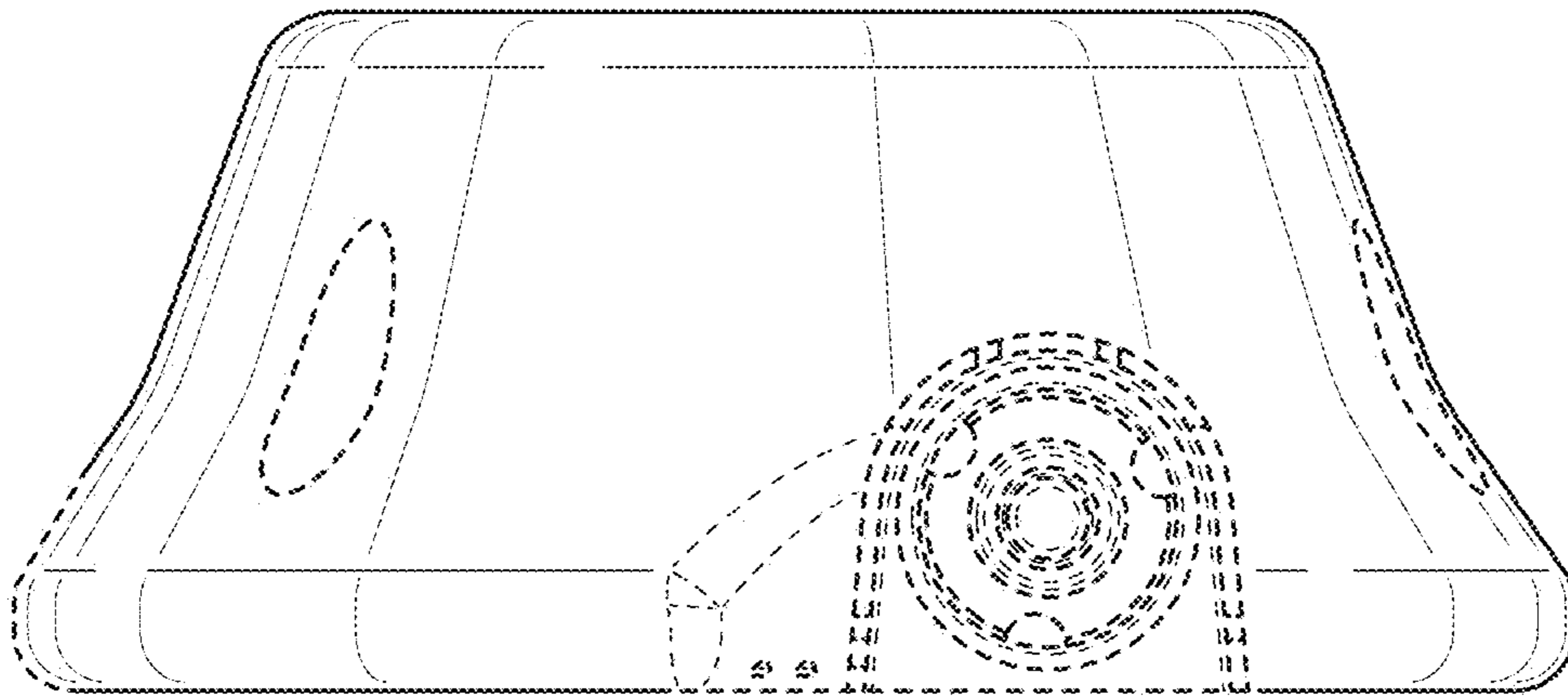


FIG. 3

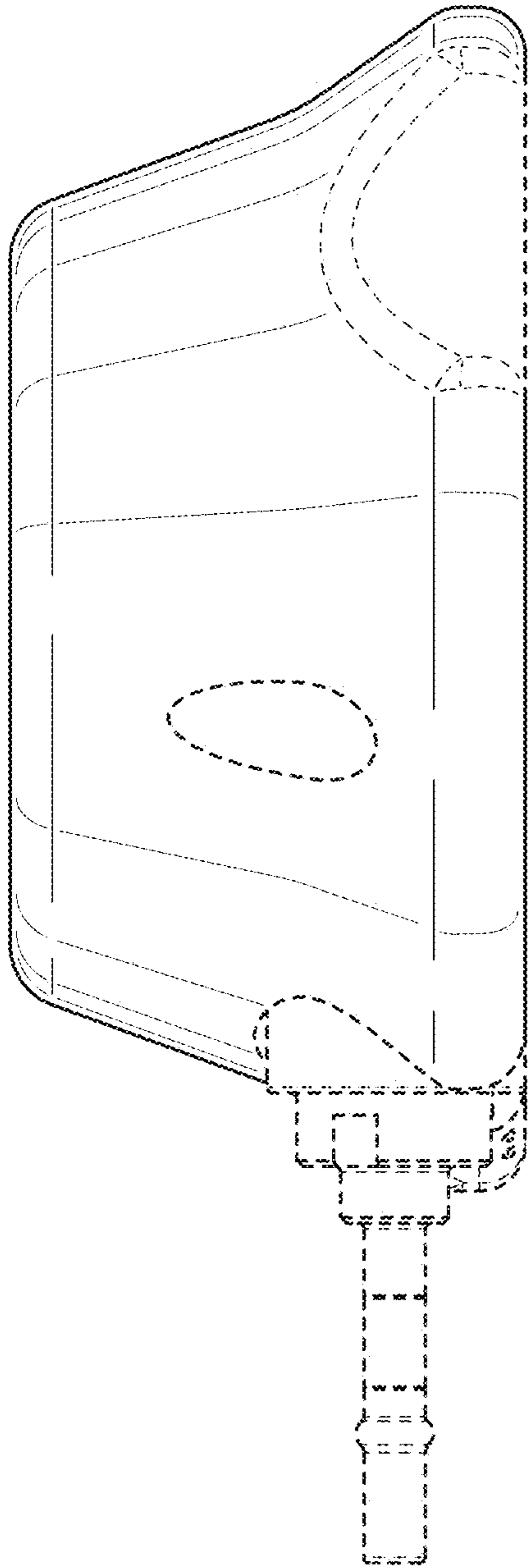


FIG. 4

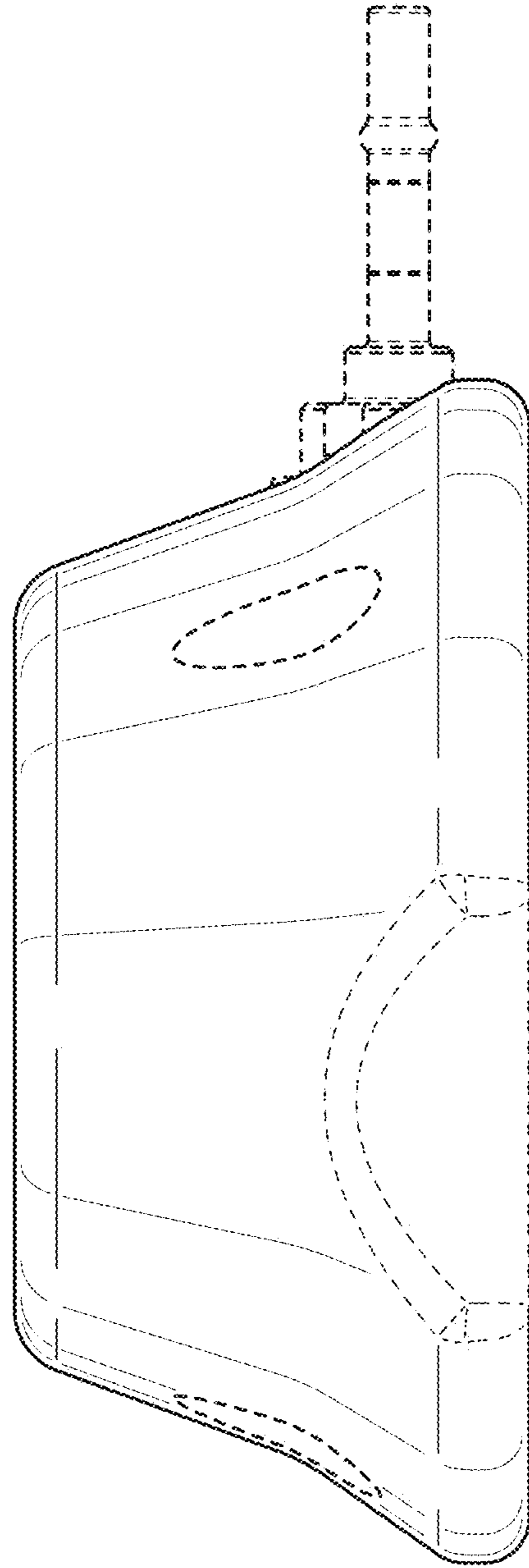


FIG. 5

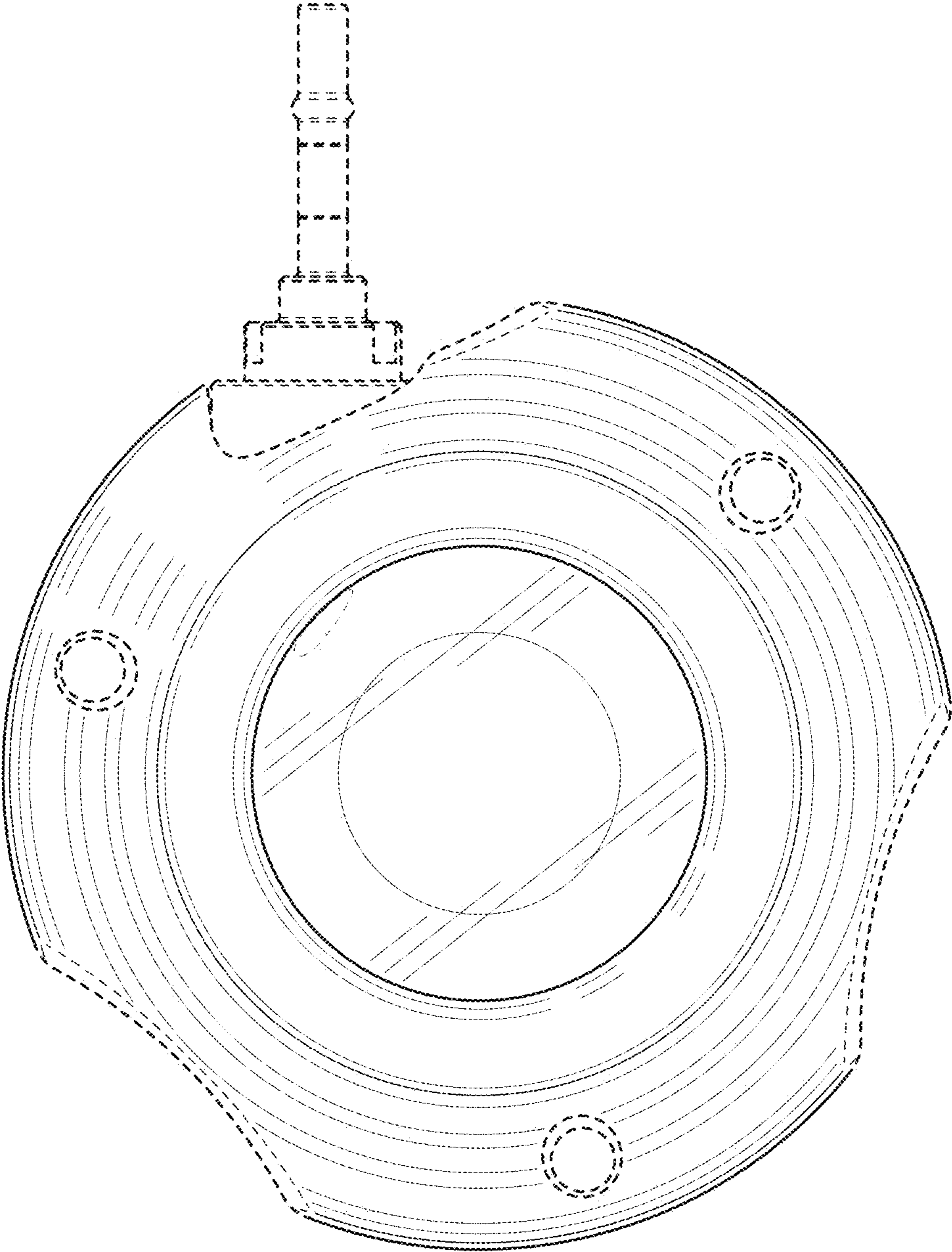


FIG. 6

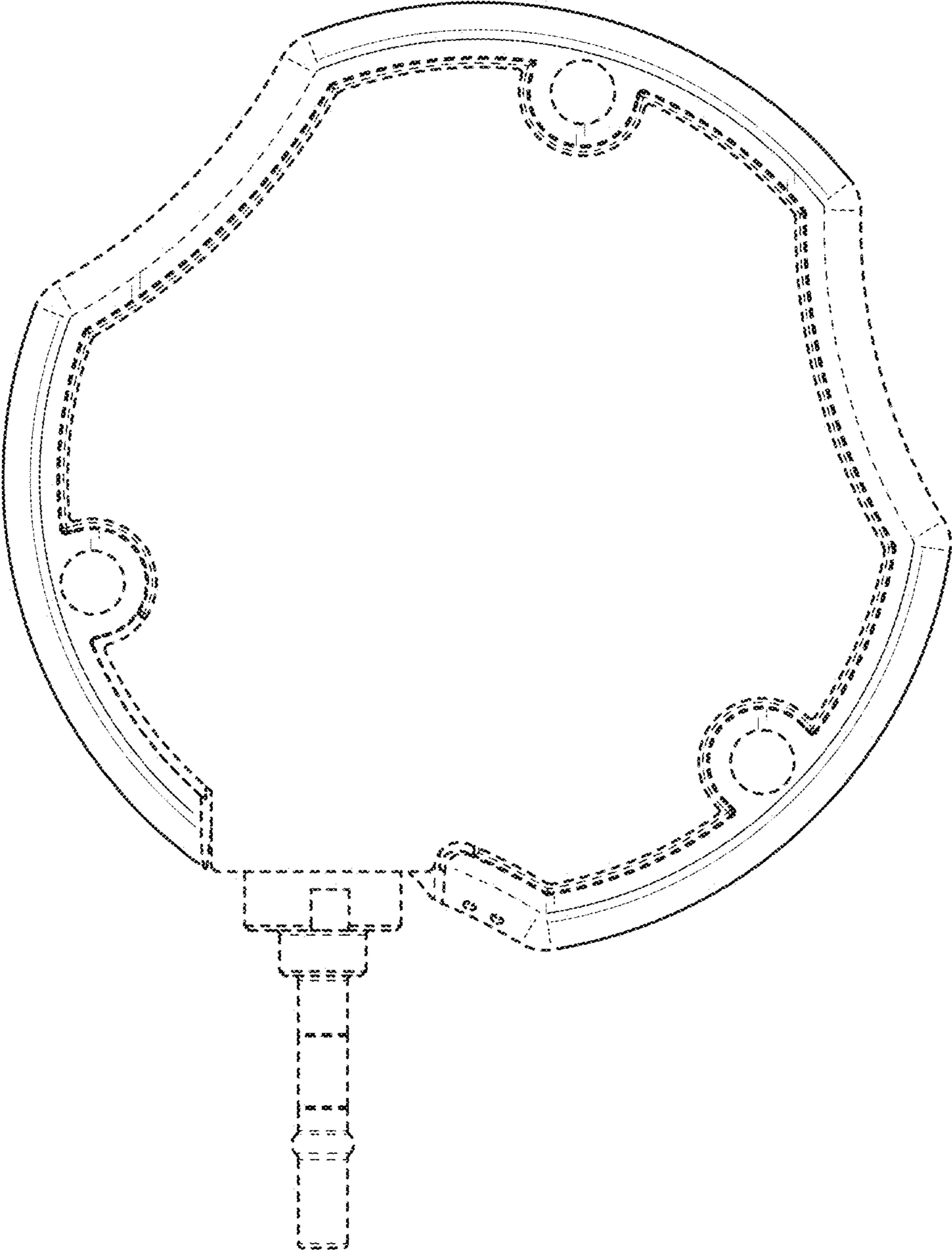


FIG. 7