



US00D936203S

(12) **United States Design Patent**
He et al.

(10) **Patent No.:** **US D936,203 S**

(45) **Date of Patent:** **** Nov. 16, 2021**

(54) **BLOWER**

(71) Applicant: **THE WEST RIVER INDUSTRY CO., LTD.**, Jiangmen (CN)

(72) Inventors: **Xiangming He**, Jiangmen (CN);
Guanglian Lin, Jiangmen (CN)

(73) Assignee: **THE WEST RIVER INDUSTRY CO., LTD.**, Jiangmen (CN)

(**) Term: **15 Years**

(21) Appl. No.: **29/652,348**

(22) Filed: **Jul. 24, 2020**

(51) **LOC (13) Cl.** **23-04**

(52) **U.S. Cl.**
USPC **D23/383**

(58) **Field of Classification Search**
USPC D23/370, 381, 382, 383, 386, 387, 393,
D23/411, 412; D32/15
CPC .. F04D 29/4226; F04D 29/281; F04D 29/441;
F04D 25/06; F04D 25/08; F04D 25/082
See application file for complete search history.

(56) **References Cited**

U.S. PATENT DOCUMENTS

D152,778 S * 2/1949 Fox D23/370
D566,823 S * 4/2008 Lewis D23/383
D594,962 S * 6/2009 Lewis D23/383
D636,863 S * 4/2011 Isoda D23/370

D687,137 S * 7/2013 Nemes D23/332
D835,774 S * 12/2018 Shapiro D23/383
D836,766 S * 12/2018 He D23/383
D837,360 S * 1/2019 Cui D23/383
D869,633 S * 12/2019 He D23/383
D869,634 S * 12/2019 He D23/383
2019/0128281 A1* 5/2019 He F04D 25/068
2020/0072498 A1* 3/2020 He F04D 13/06
2020/0072499 A1* 3/2020 He F04D 17/162

* cited by examiner

Primary Examiner — Sharon S Oum

(74) *Attorney, Agent, or Firm* — Innovation Capital Law Group, LLP; Vic Lin

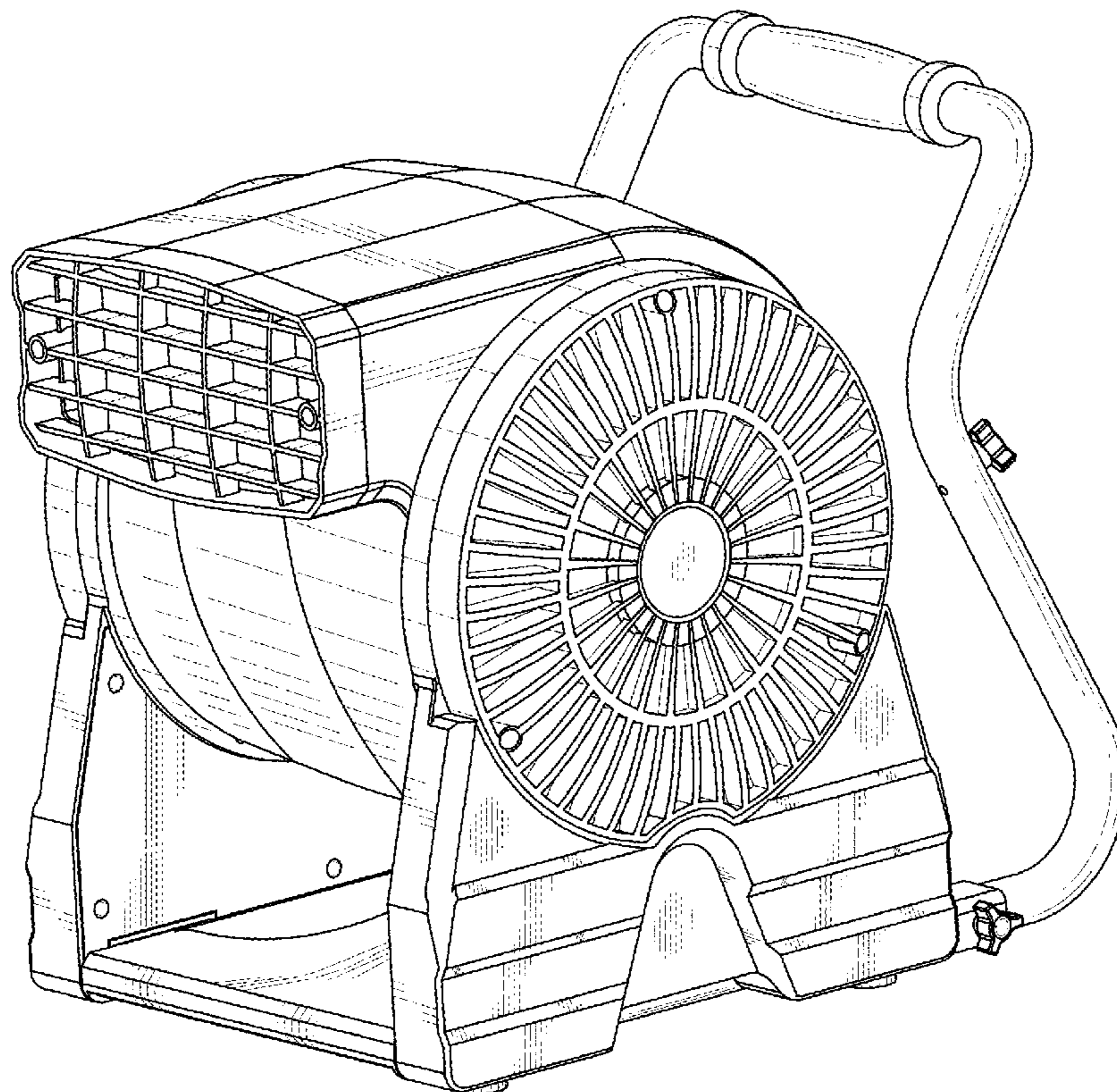
(57) **CLAIM**

The ornamental design for a blower, as shown and described.

DESCRIPTION

FIG. 1 is a front elevation view of a blower, showing our new design;
FIG. 2 is a rear elevation view thereof;
FIG. 3 is a right elevation view thereof;
FIG. 4 is a left elevation view thereof;
FIG. 5 is a top plan view thereof;
FIG. 6 is a bottom plan view thereof;
FIG. 7 is a top perspective view thereof; and,
FIG. 8 is a bottom perspective view thereof.

1 Claim, 8 Drawing Sheets



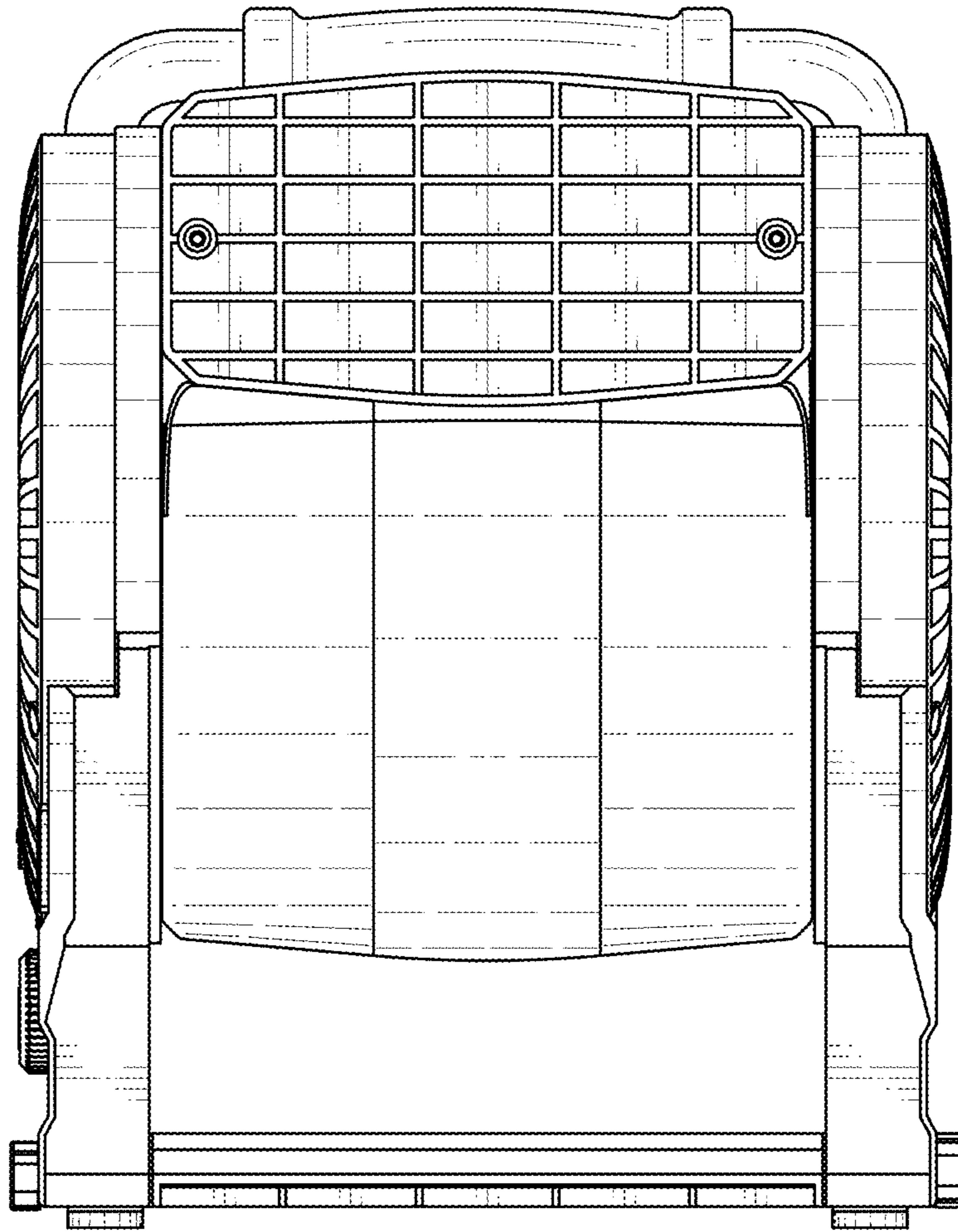


FIG. 1

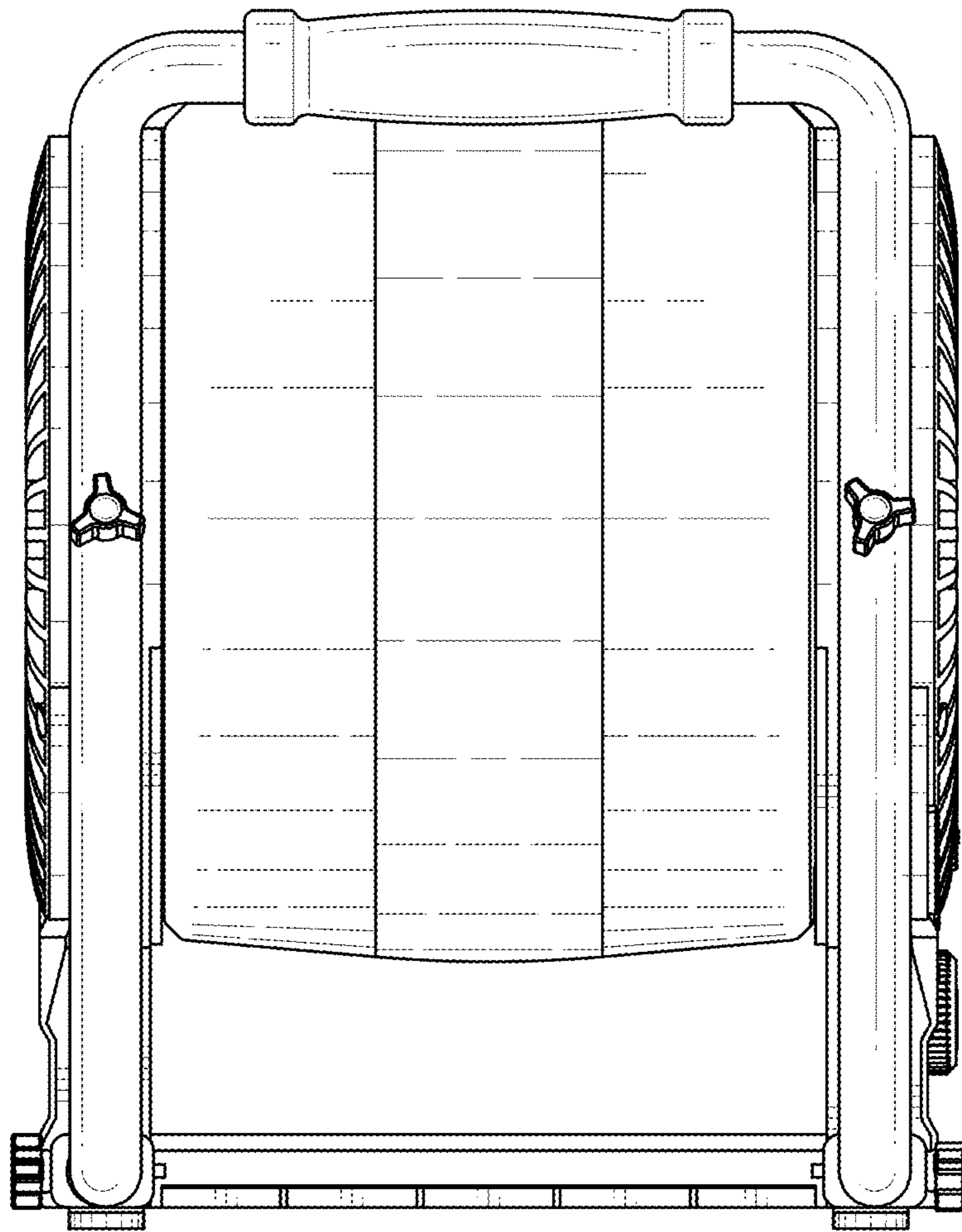


FIG. 2

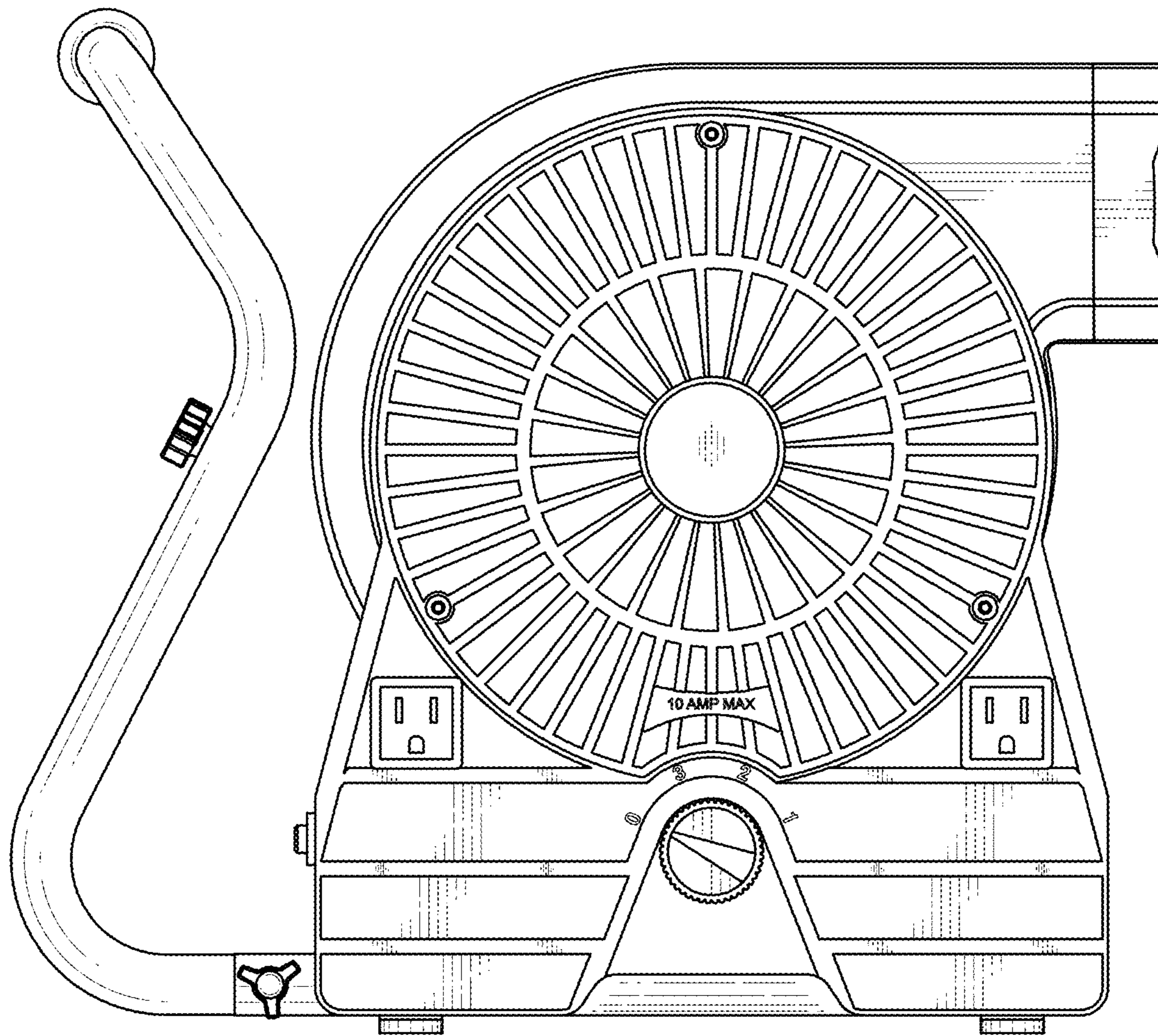


FIG. 3

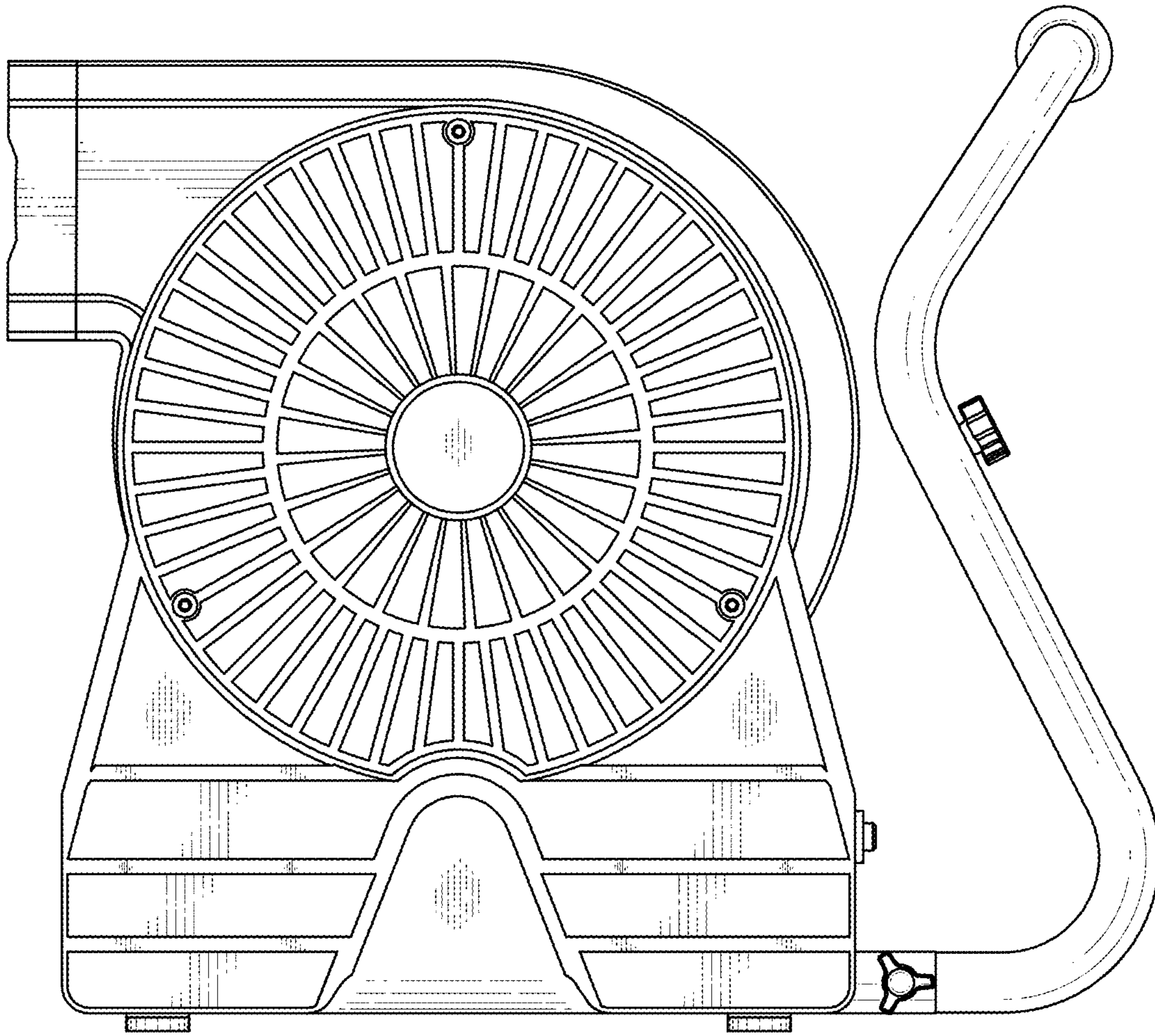


FIG. 4

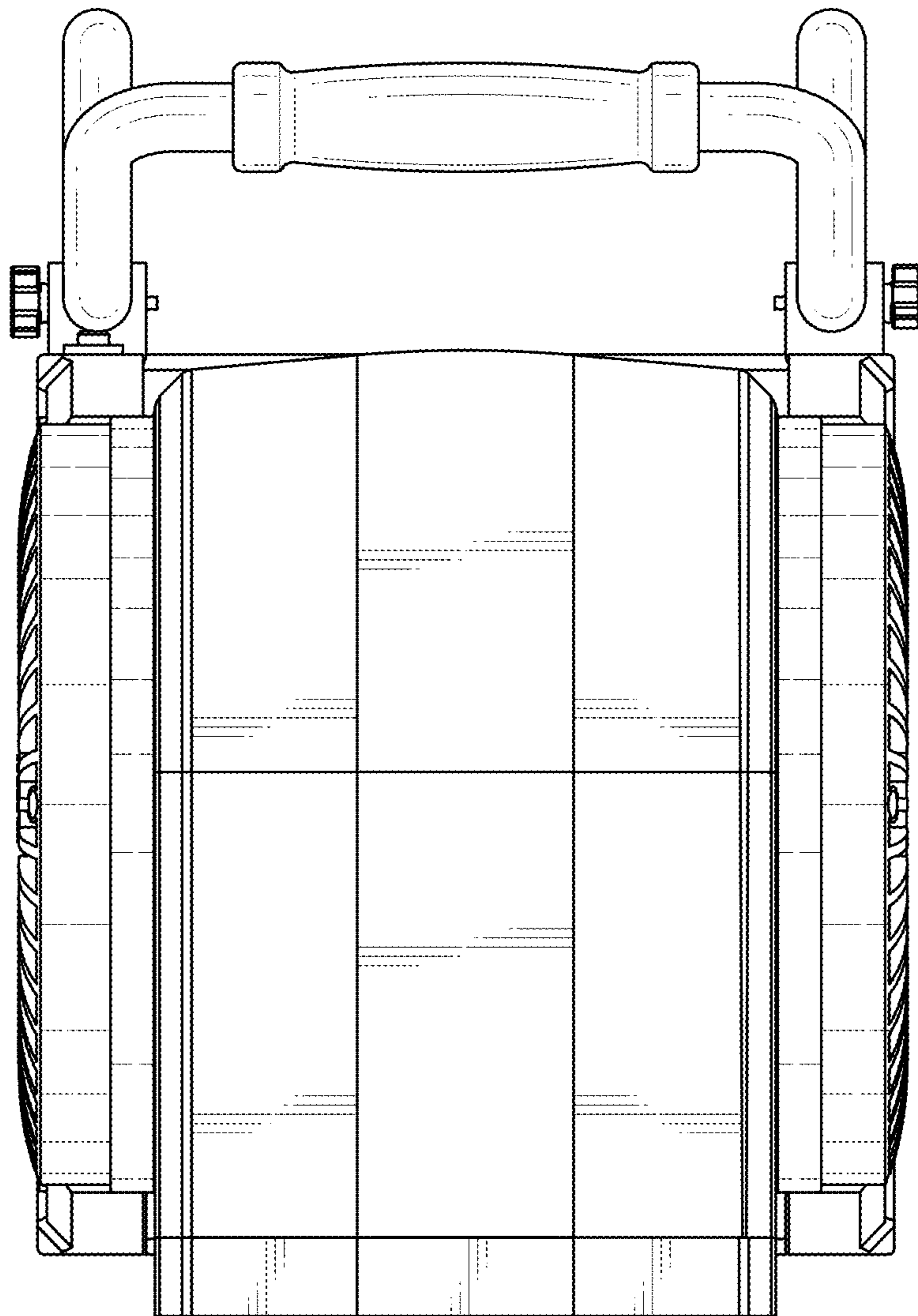


FIG. 5

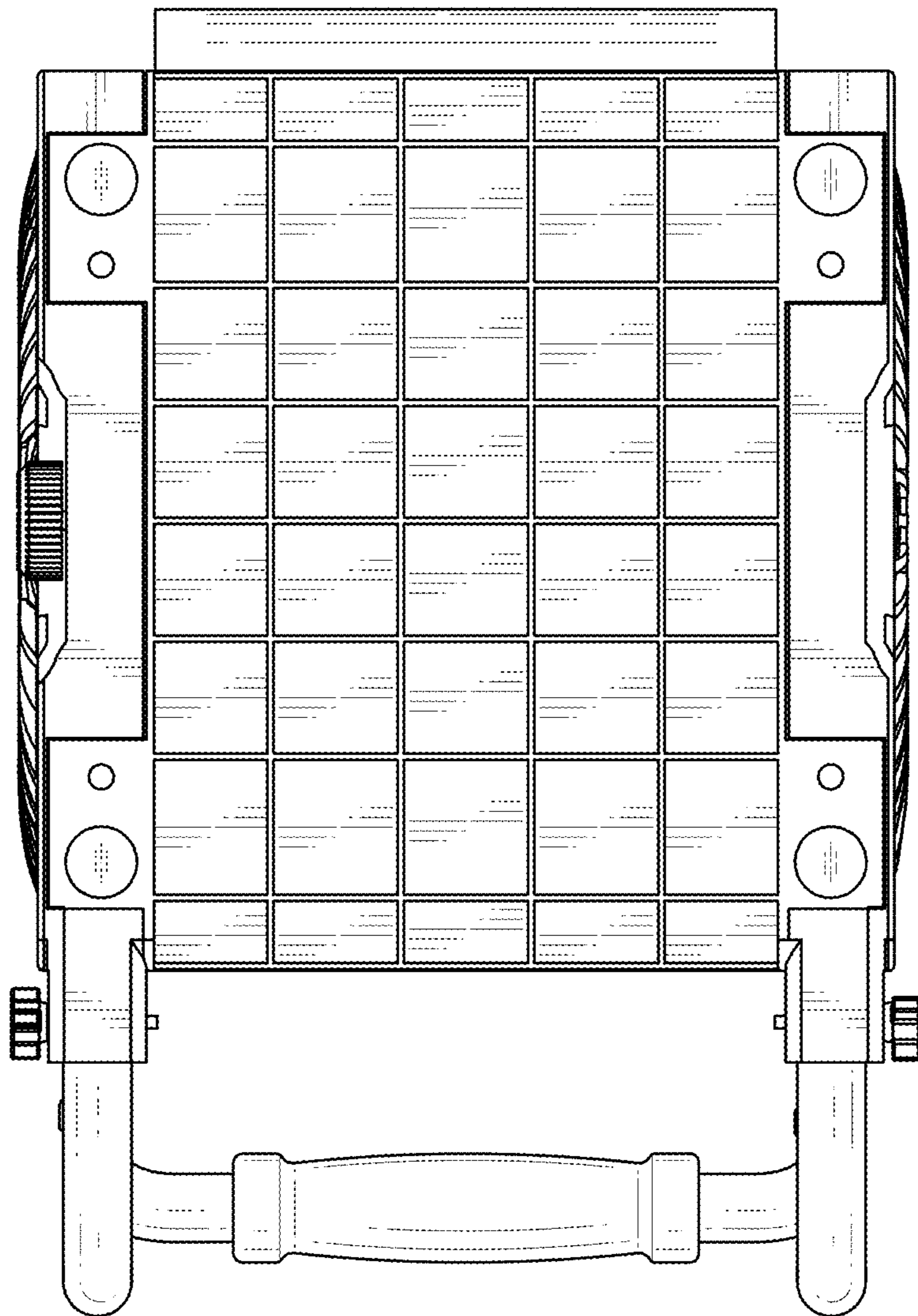


FIG. 6

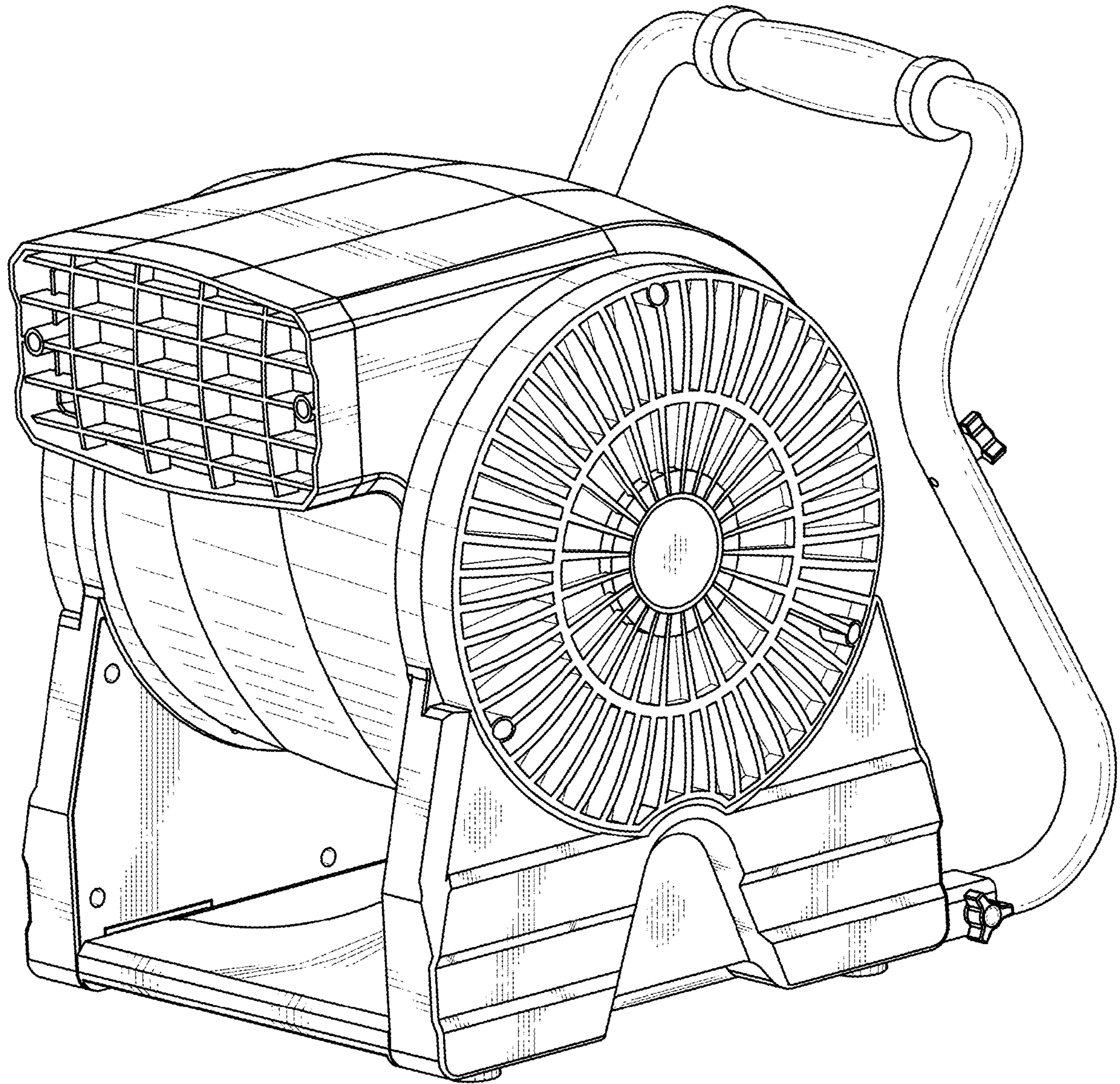


FIG. 7

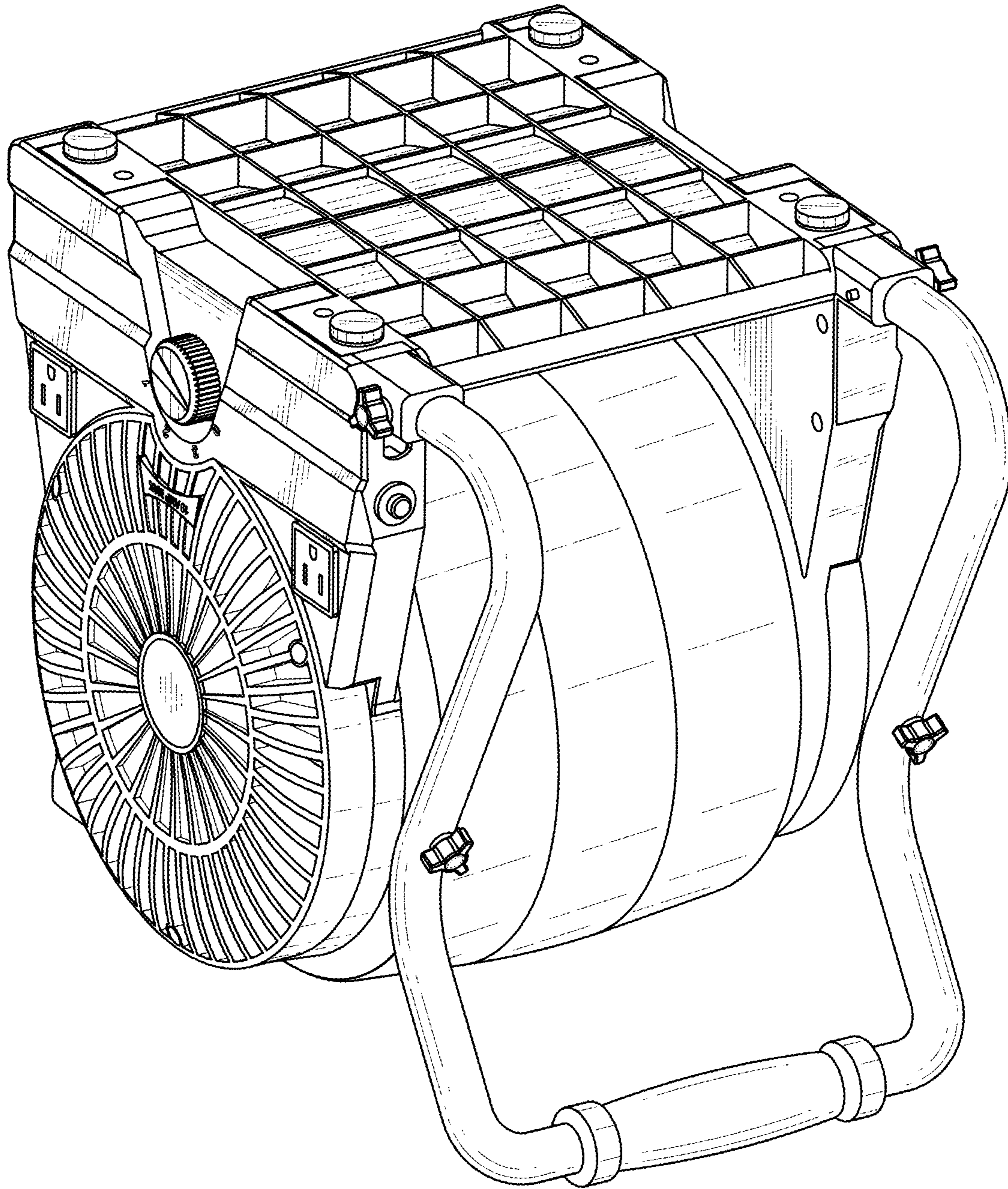


FIG. 8