



US00D936202S

(12) **United States Design Patent** (10) **Patent No.:** **US D936,202 S**
McRoberts et al. (45) **Date of Patent:** **** Nov. 16, 2021**

- (54) **CEILING FAN**
- (71) Applicant: **Hunter Fan Company**, Memphis, TN (US)
- (72) Inventors: **Claire Bernice McRoberts**, Memphis, TN (US); **Patrick R. O’Connell**, Germantown, TN (US)
- (73) Assignee: **Hunter Fan Company**, Memphis, TN (US)
- (**) Term: **15 Years**
- (21) Appl. No.: **29/706,318**
- (22) Filed: **Sep. 19, 2019**
- (51) **LOC (13) Cl.** **23-04**
- (52) **U.S. Cl.**
USPC **D23/377**
- (58) **Field of Classification Search**
USPC D23/370, 377, 379, 385, 411, 413;
D26/59
CPC F04D 25/088; F04D 29/38; F04D 29/384;
F04D 29/386; F21V 33/0096
See application file for complete search history.

- D788,283 S 5/2017 Busta
 - D789,511 S 6/2017 Wang
 - D795,411 S 8/2017 Wang
 - D799,667 S 10/2017 Wang
 - D800,891 S * 10/2017 McRoberts D23/377
 - D804,629 S 12/2017 McRoberts et al.
 - D805,174 S * 12/2017 Guthrie D23/377
 - D805,175 S * 12/2017 Haggar D23/377
- (Continued)

OTHER PUBLICATIONS

<https://modernfan.com/fan/velo/>, The Modern Fan Co, Velo Ceiling Fan, Images, Blades, Lighting, Controls & more, accessed Jun. 26, 2018.

(Continued)

Primary Examiner — Sharon S Oum
(74) *Attorney, Agent, or Firm* — McGarry Bair PC

(57) **CLAIM**

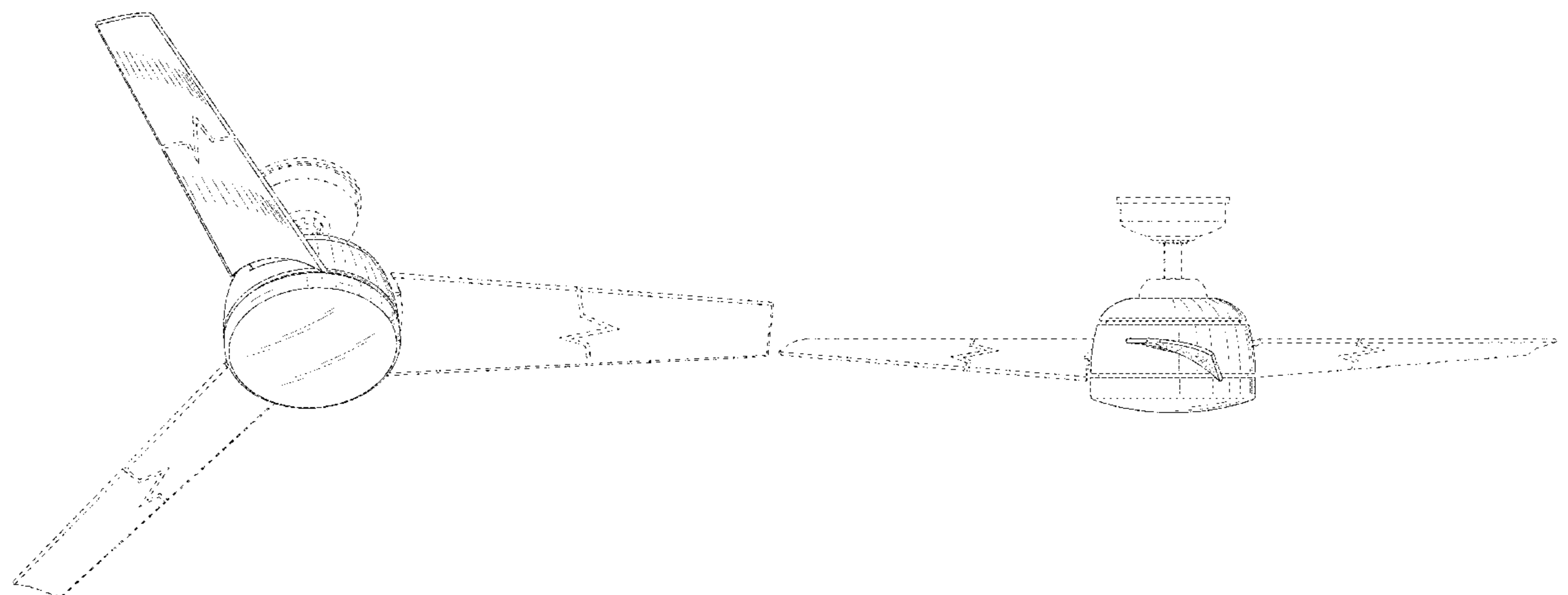
The ornamental design for a ceiling fan, as shown and described.

DESCRIPTION

FIG. 1 is a top perspective view of a ceiling fan, showing our new design;
FIG. 2 is a bottom perspective view thereof;
FIG. 3 is a top view thereof;
FIG. 4 is a bottom view thereof;
FIG. 5 is a front view thereof;
FIG. 6 is a rear view thereof;
FIG. 7 is a right side view thereof; and,
FIG. 8 is a left side view thereof.
Portions of the ceiling fan shown in broken lines form no part of the claimed design. Jagged break lines represent broken away symbols and form no part of the claimed design. The appearance of any portion of the ceiling fan blades between jagged break lines forms no part of the claimed design.

1 Claim, 8 Drawing Sheets

- (56) **References Cited**
U.S. PATENT DOCUMENTS
- D377,975 S 2/1997 Young
- D386,257 S 11/1997 Liu
- D402,075 S * 12/1998 Hudak D26/88
- D490,182 S * 5/2004 Benensohn D26/79
- D571,035 S * 6/2008 Yu D26/89
- D627,874 S 11/2010 Pan
- D632,381 S * 2/2011 Davenport D23/377
- D707,336 S 6/2014 Pan
- D739,001 S * 9/2015 Crisa’ D23/372
- D744,084 S 11/2015 Wang
- D782,644 S 3/2017 Wang
- D783,796 S 4/2017 Badarello et al.
- D785,156 S 4/2017 Wang



(56)

References Cited

U.S. PATENT DOCUMENTS

D810,915 S	2/2018	Guthrie et al.	
D810,917 S	2/2018	Holmes	
D825,052 S *	8/2018	Guthrie	D23/411
D872,252 S *	1/2020	McRoberts	D23/377
D874,635 S *	2/2020	Holmes	D23/377
D875,914 S *	2/2020	Hagggar	D23/377
D882,748 S *	4/2020	Hagggar	D23/377
D890,321 S *	7/2020	Holmes	D23/377
D900,301 S *	10/2020	Hagggar	D23/411

OTHER PUBLICATIONS

<https://www.hunterfan.com/ceiling-fans/commerce-outdoor-54-inch-fam734>, Hunter Fan, Commerce Outdoor 54 inch Ceiling Fan, Item No. 59187, accessed Jun. 26, 2018.
<http://www.kingoffans.com/%23/products/ceilingFans>, King of Fans, Windward II, Model No. 55296, accessed Jun. 26, 2018.

<https://www.hunterfan.com/ceiling-fans/colby-outdoor-52-inch-fam804>, Hunter Fan, Colby Outdoor 52 inch Ceiling Fan, Item No. 59074, accessed Jun. 26, 2018.
<http://www.homedepot.com/p/Hampton-Bay-Industrial-60-in-Brushed-Steel-Indoor-Energy-Star-Ceiling-Fan-52869/202670136>, Hampton Bay, Industrial 60 in. Indoor Brushed Steel Ceiling Fan with Wall Control, Model No. 52869, accessed Jun. 26, 2018.
<https://ceilingfans.emerson.com/en/shop/fan/fans-s-contemporary/midway-eco-fan-p-cf955l>, EMERSON, Midway Eco 54" Ceiling Fan, Model No. CF955L, accessed Jun. 26, 2018.
<https://www.minkagroup.net/f543l-ka.html>, MINKA-AIRE, Swept 56" 4-Blade LED Ceiling Fan in Kocoa Finish with Kocoa Blades and an Etched Lens, Model No. F543L-KA, accessed Jun. 26, 2018.
<http://ceilingfans.emerson.com/shop/en/fan/fans-s-emerson-fans/fans-s-contemporary/loft-fan-p-cf765>, Emerson, Loft 60" Blade span, Model No. CF765, accessed Jun. 26, 2018.
<http://www.kichler.com/products/product/60-inch-rana-fan-ni-310155ni.aspx>, Kichler, Rana Collection, 60 Inch Rana Fan NI, Model No. 310155NI, accessed Jun. 26, 2018.

* cited by examiner

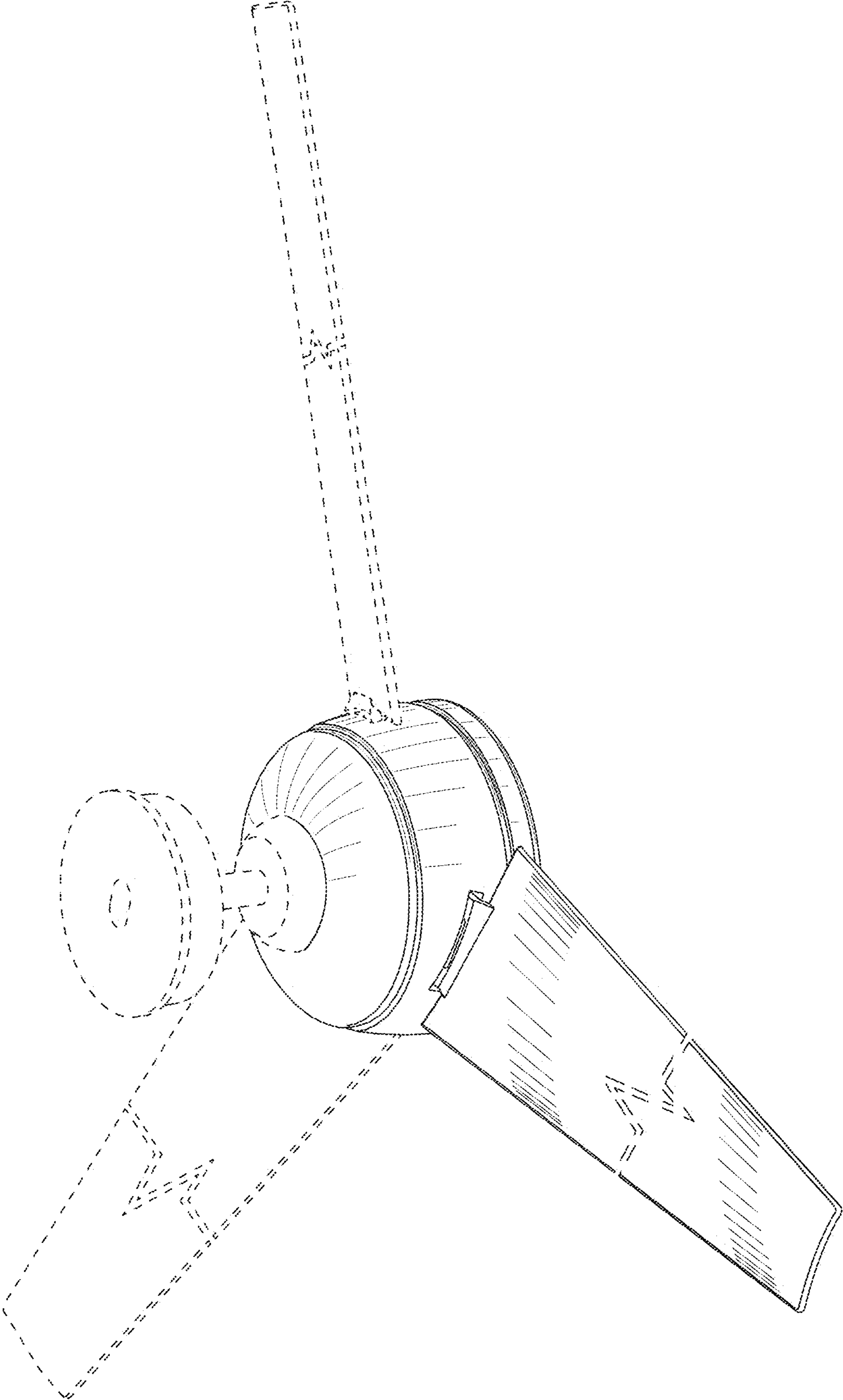


FIG. 1

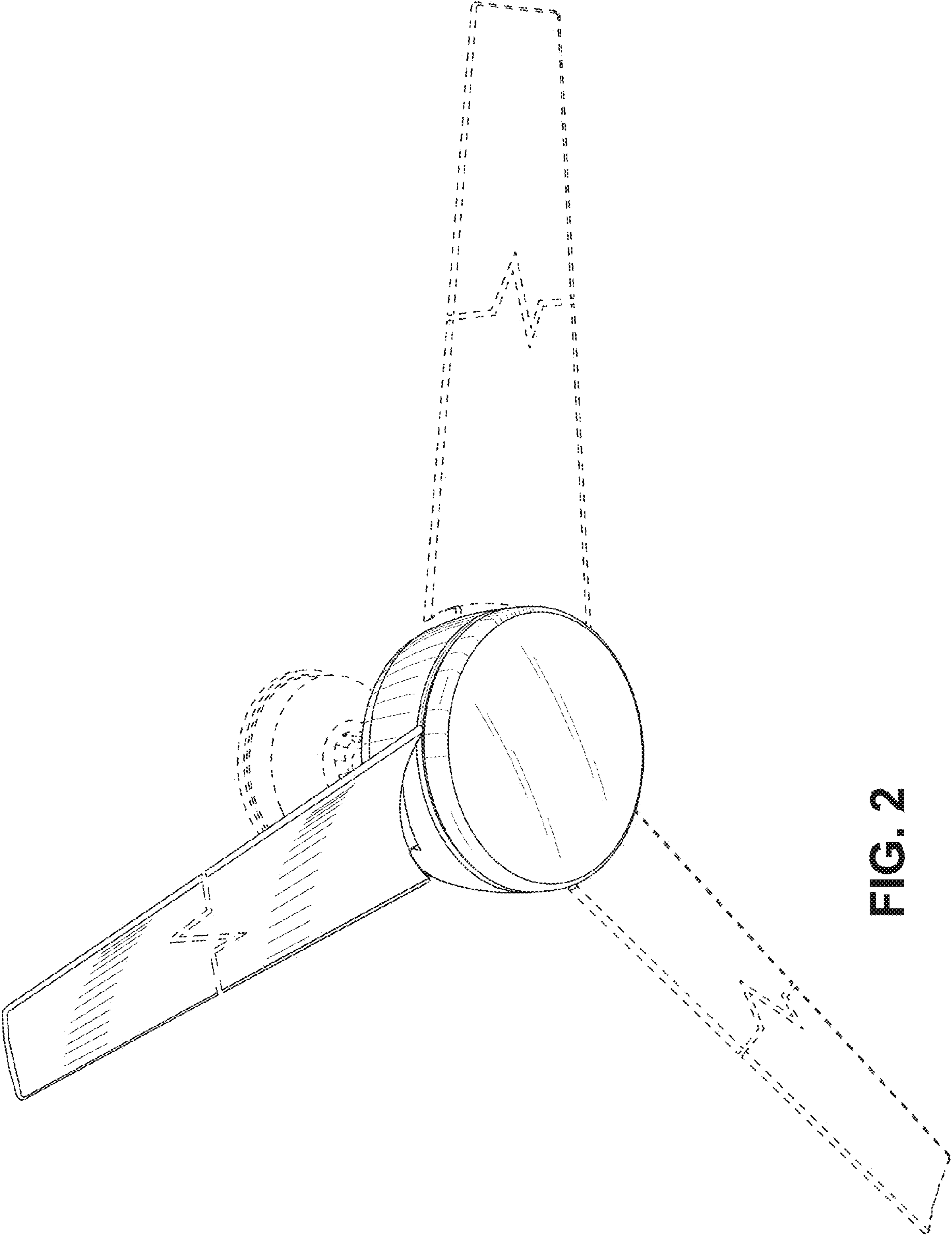


FIG. 2

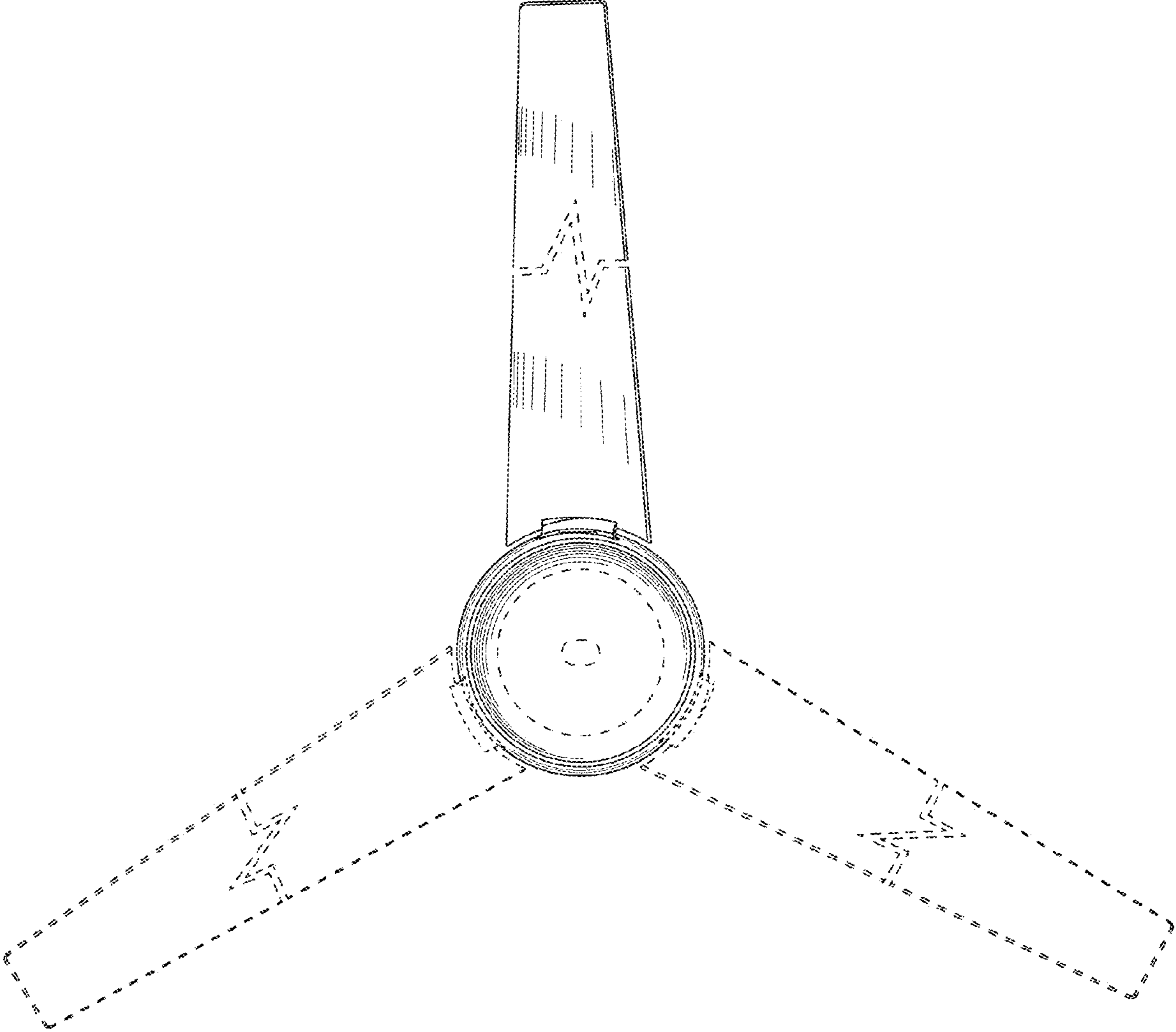


FIG. 3

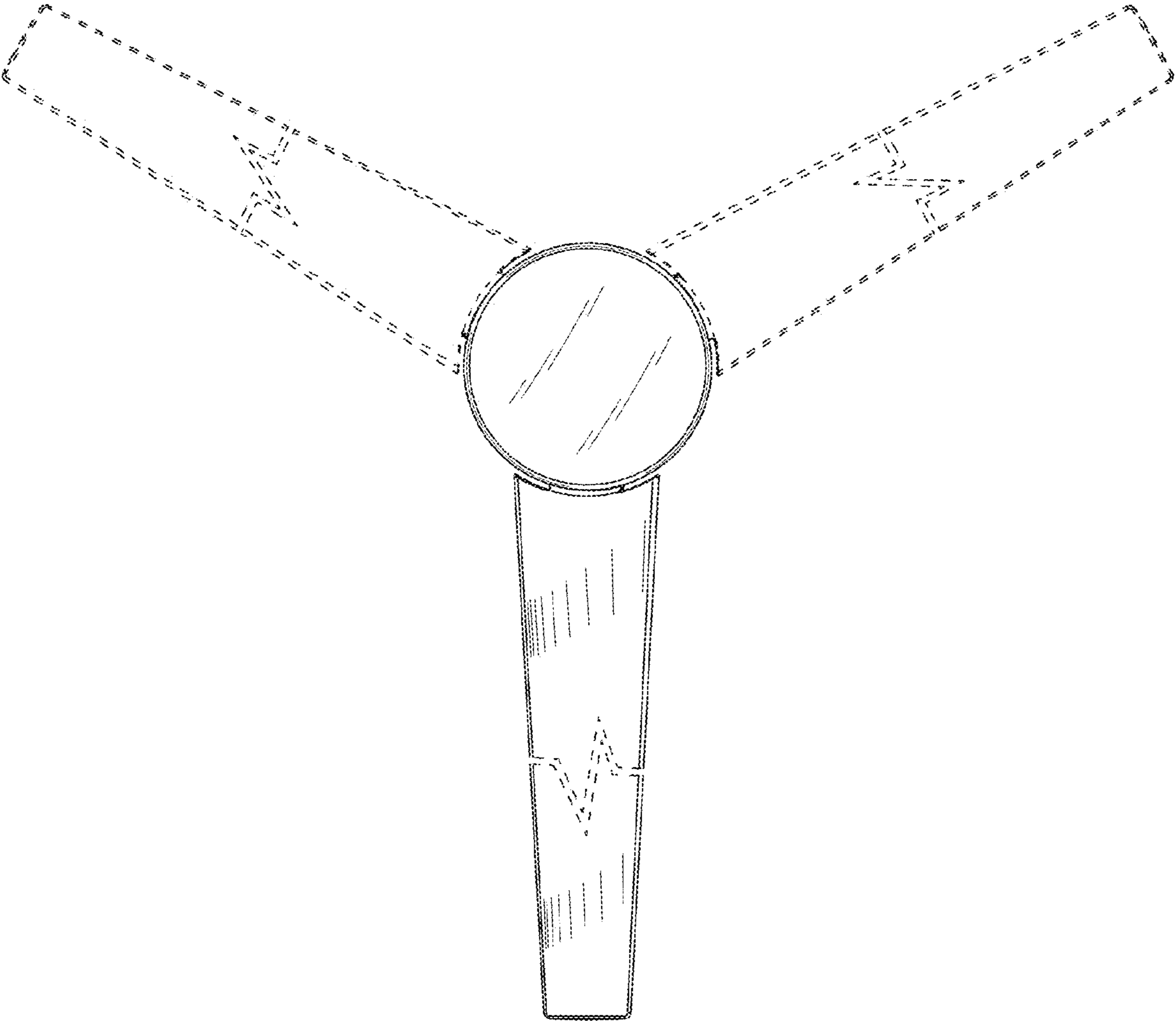


FIG. 4

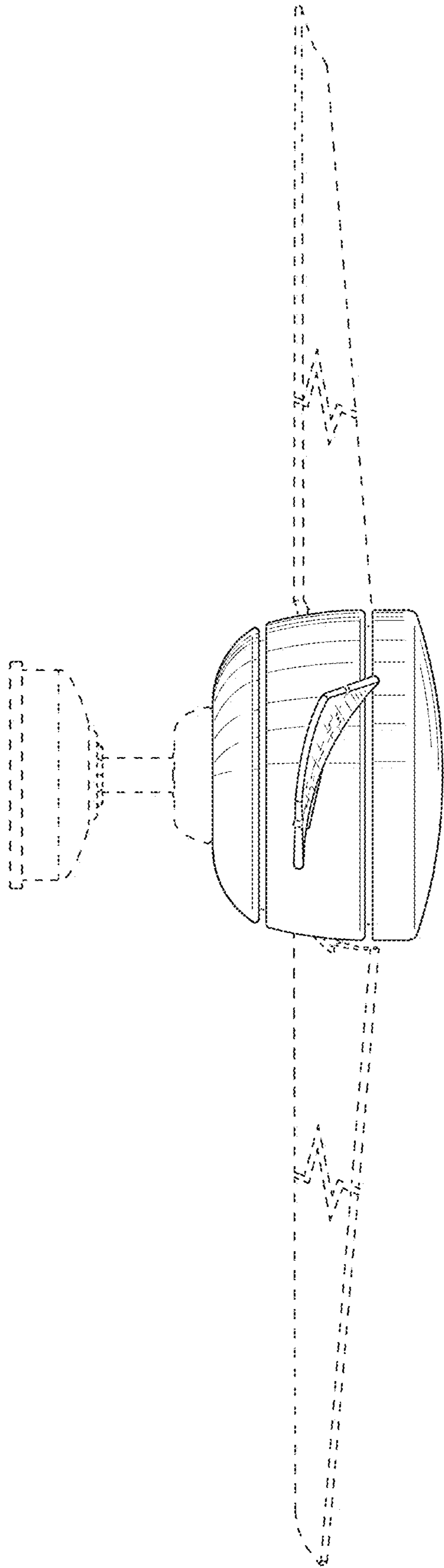


FIG. 5

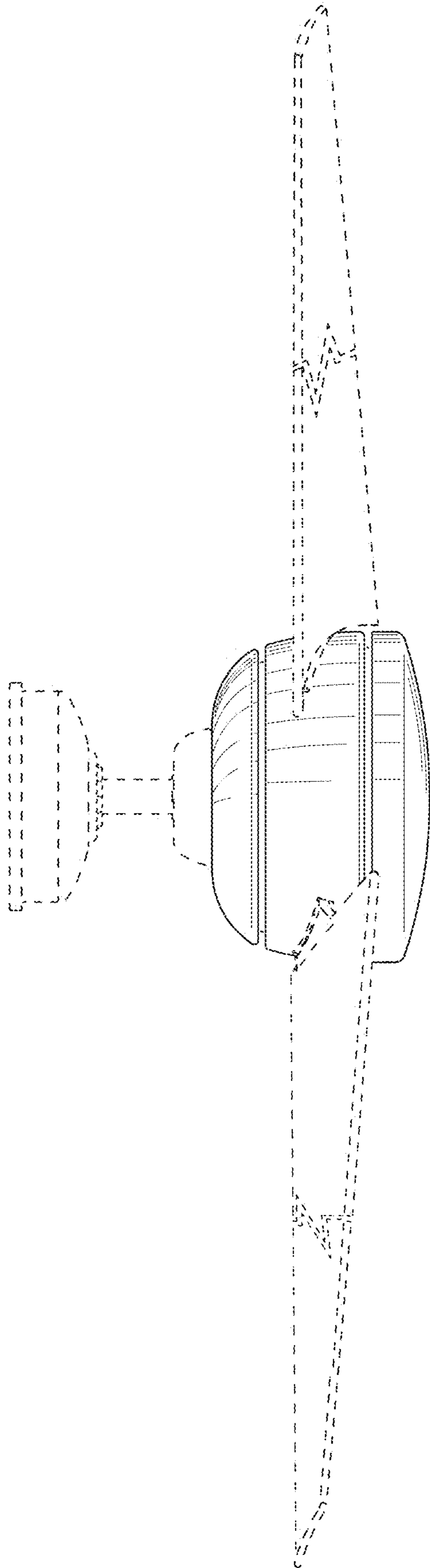


FIG. 6

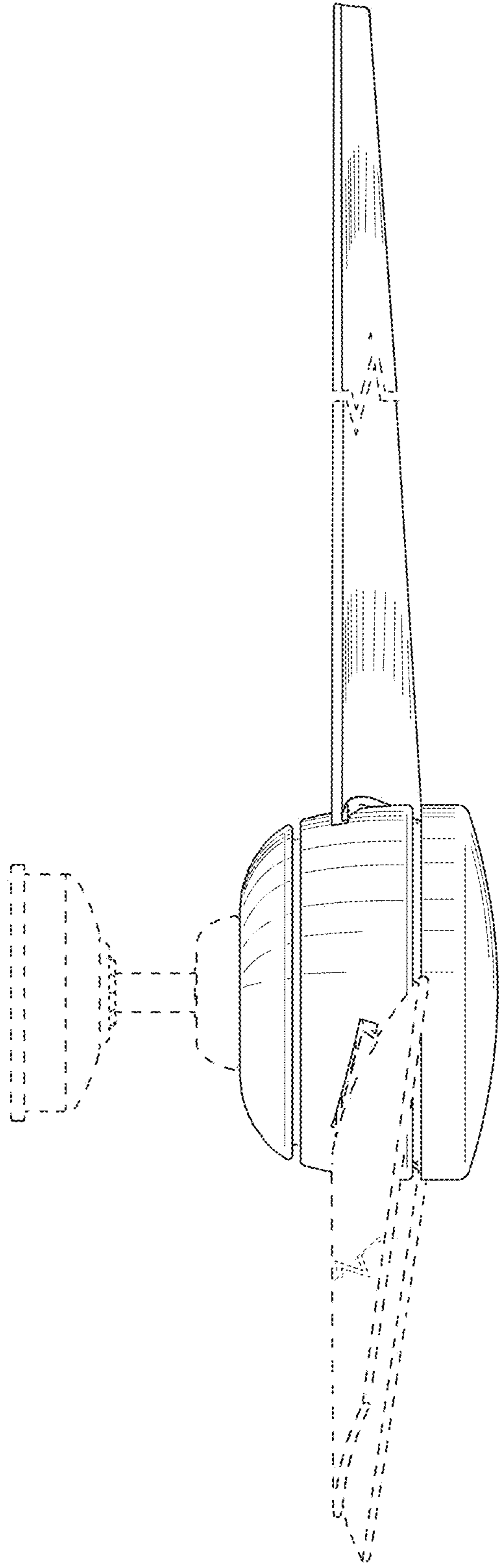


FIG. 7

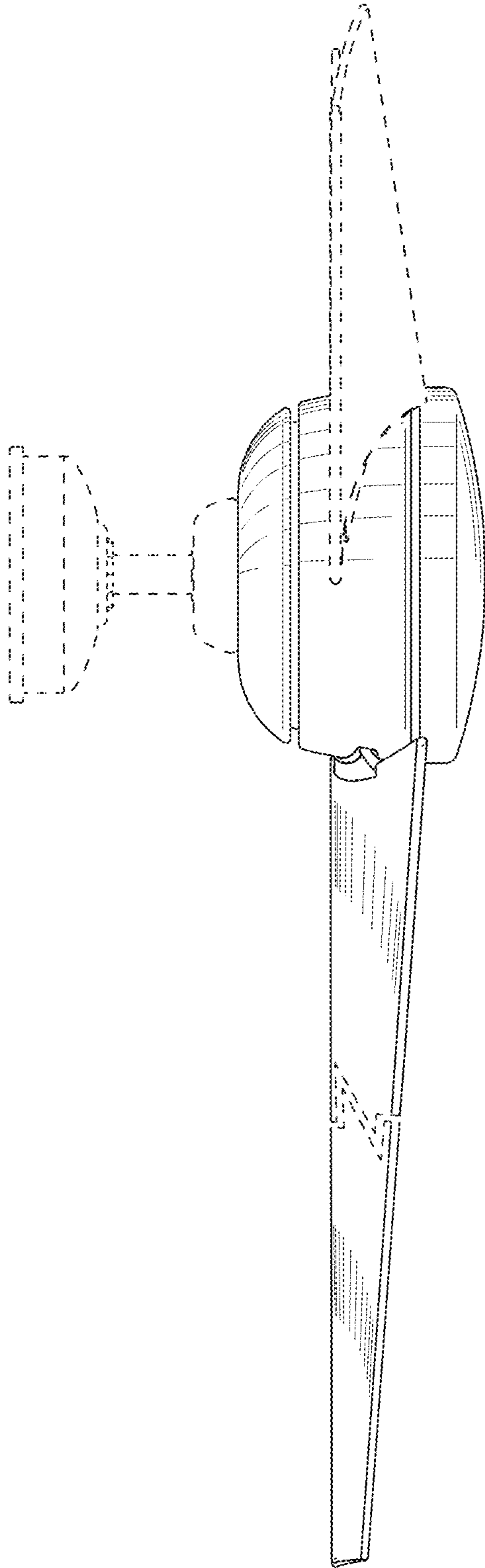


FIG. 8