



US00D936201S

(12) **United States Design Patent**  
**Bar-Zeev et al.**

(10) **Patent No.:** **US D936,201 S**

(45) **Date of Patent:** **\*\* Nov. 16, 2021**

(54) **SMART FILTER FOR AIR PURIFICATION  
DEVICE WITH AIR QUALITY  
MANAGEMENT SYSTEM**

(71) Applicant: **AURA SMART AIR LTD.**, Azur (IL)

(72) Inventors: **Omri Bar-Zeev**, Tel Aviv-Jaffa (IL);  
**Boaz Zemer**, Giv'atayim (IL); **Shir  
Hechter**, Tel Aviv-Jaffa (IL)

(\*\*) Term: **15 Years**

(21) Appl. No.: **35/510,141**

(22) Filed: **Jul. 8, 2020**

(80) **Hague Agreement Data**

Int. Filing Date: **Jul. 8, 2020**

Int. Reg. No.: **DM/209685**

Int. Reg. Date: **Jul. 8, 2020**

Int. Reg. Pub. Date: **Aug. 21, 2020**

(51) **LOC (13) Cl.** ..... **23-04**

(52) **U.S. Cl.**  
USPC ..... **D23/365**

(58) **Field of Classification Search**  
USPC ..... D23/209, 235, 341, 358, 363, 364, 365  
CPC ..... F24F 13/085; F01M 13/025; F02M  
35/10013; Y10S 116/25  
See application file for complete search history.

(56) **References Cited**

**U.S. PATENT DOCUMENTS**

D29,884 S	*	12/1898	Kahn	.....	D23/386
D351,650 S	*	10/1994	Vavra	.....	D23/365
D399,554 S	*	10/1998	Tsuji	.....	D23/411
D407,808 S	*	4/1999	Nepsund	.....	D23/365
D410,064 S	*	5/1999	Hunter	.....	D23/209
D464,721 S	*	10/2002	Rock	.....	D23/365
D508,119 S	*	8/2005	Shayan	.....	D23/209
D534,253 S	*	12/2006	Sandman	.....	D23/269

D551,336 S	*	9/2007	Haggkvist	.....	D23/386
D665,491 S	*	8/2012	Goel	.....	D23/386
D666,273 S	*	8/2012	Shi	.....	D23/207
D668,751 S	*	10/2012	Fitton	.....	D23/365
D676,952 S	*	2/2013	Hiner	.....	D23/377
D698,017 S	*	1/2014	Modesto	.....	D23/365
D708,728 S	*	7/2014	Yoo	.....	D23/364
D726,877 S	*	4/2015	Trent	.....	D23/233
D745,957 S	*	12/2015	Pan	.....	D23/411
D759,195 S	*	6/2016	Tanida	.....	D23/209
D765,827 S	*	9/2016	Bowen	.....	D23/393
D857,868 S	*	8/2019	Combs	.....	D23/365
D859,623 S	*	9/2019	Hyon	.....	D23/356
D872,846 S	*	1/2020	Jessup	.....	D23/364
D873,387 S	*	1/2020	Vogtner	.....	D23/261
D873,400 S	*	1/2020	Nykowski	.....	D23/364
D886,951 S	*	6/2020	Peterson	.....	D23/233
D907,755 S	*	1/2021	Choi	.....	D23/365
D914,187 S	*	3/2021	Bink	.....	D23/365

(Continued)

*Primary Examiner* — Mojtaba Tehrani

(57) **CLAIM**

The ornamental design for a smart filter for air purification device with air quality management system, as shown and described.

**DESCRIPTION**

1. Smart filter for air purification device with air quality management system

1.1 : Front

1.2 : Top

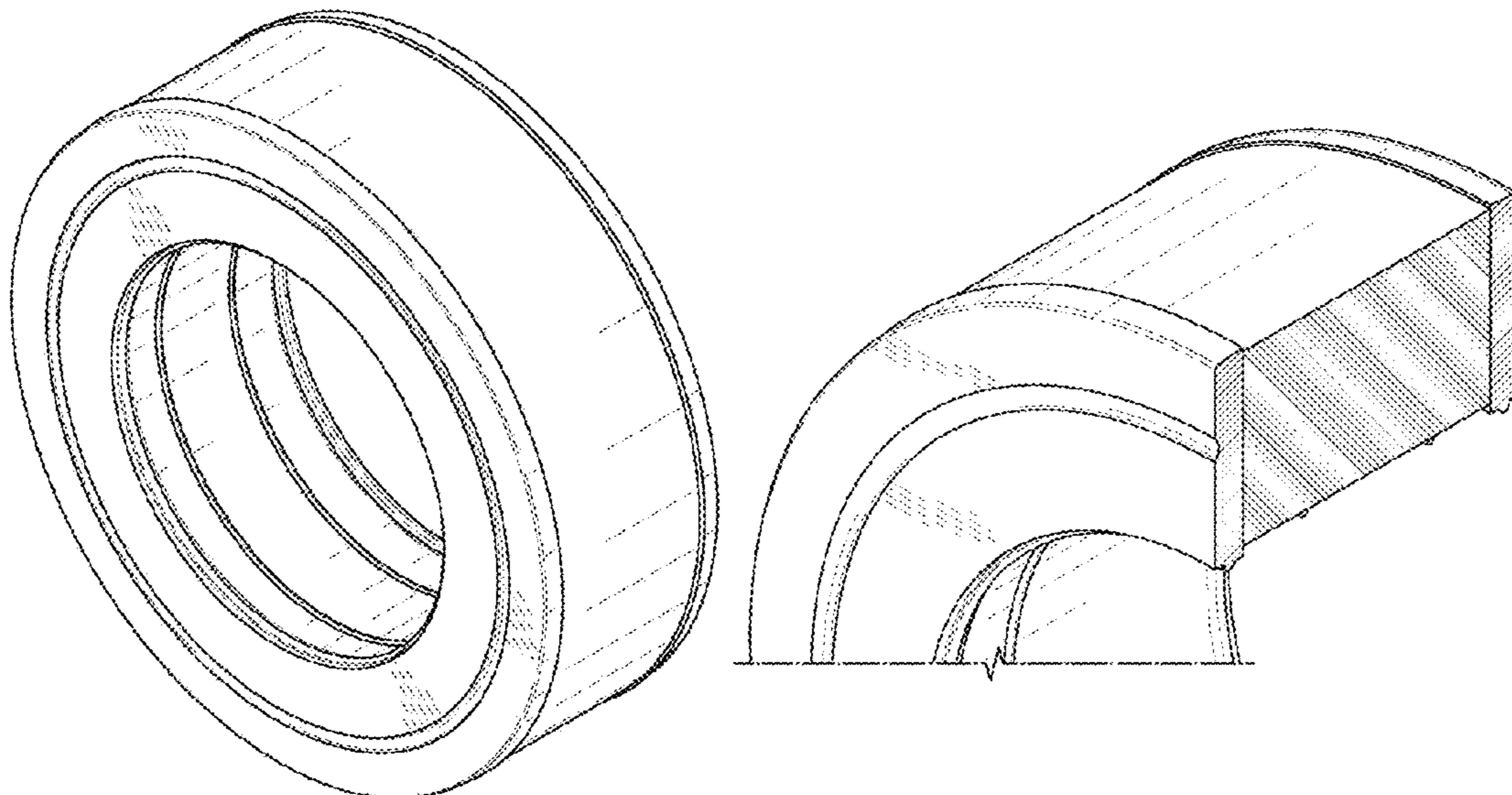
1.3 : Perspective

1.4 : Partial cross-sectional perspective view.

The shadings in the reproductions represent contours only and do not illustrate an ornamentation or decoration on the surface of the product; the front view, back view, left side view and right side view are identical; the top view and bottom view are identical.

The dash-dot broken line in view 1.4 discloses bounds of the partial view only and forms no part of the claimed design.

**1 Claim, 4 Drawing Sheets**



(56)

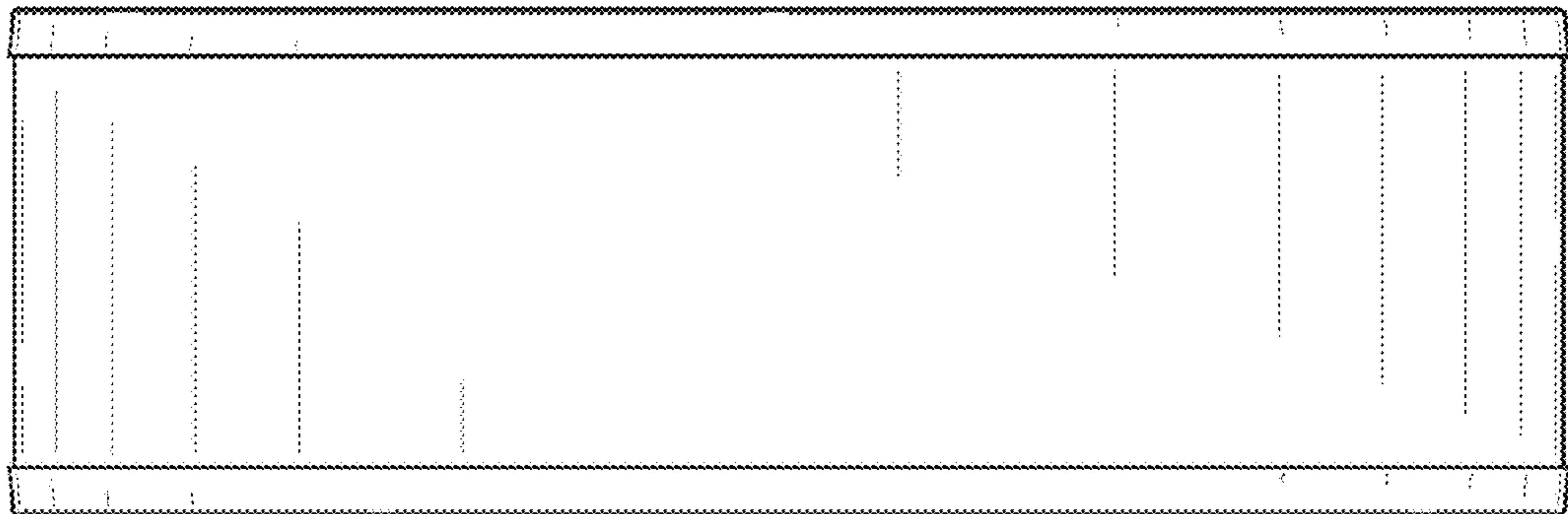
**References Cited**

U.S. PATENT DOCUMENTS

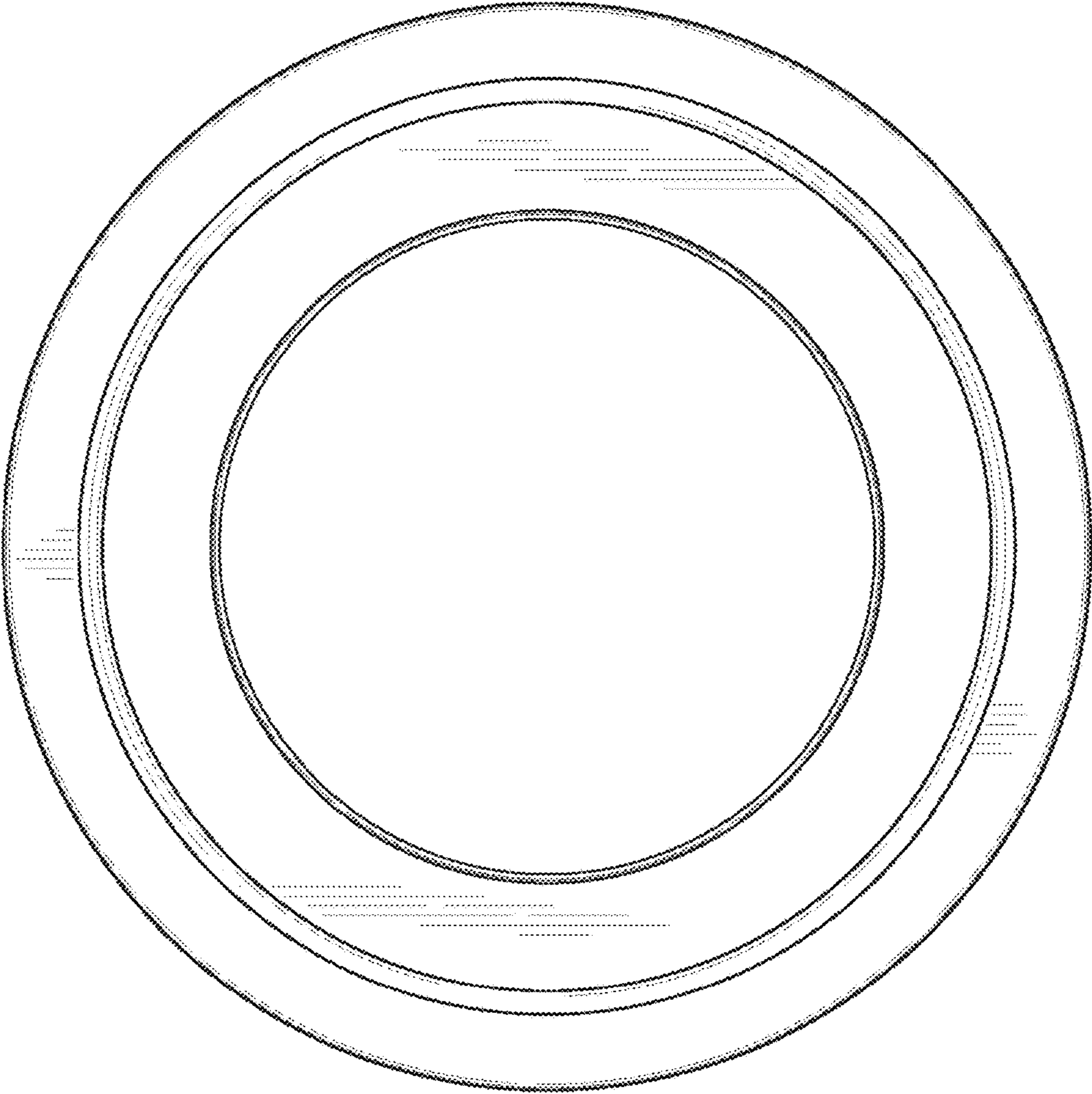
D927,672 S \* 8/2021 Trask ..... D23/365  
D928,301 S \* 8/2021 Hanson ..... D23/365

\* cited by examiner

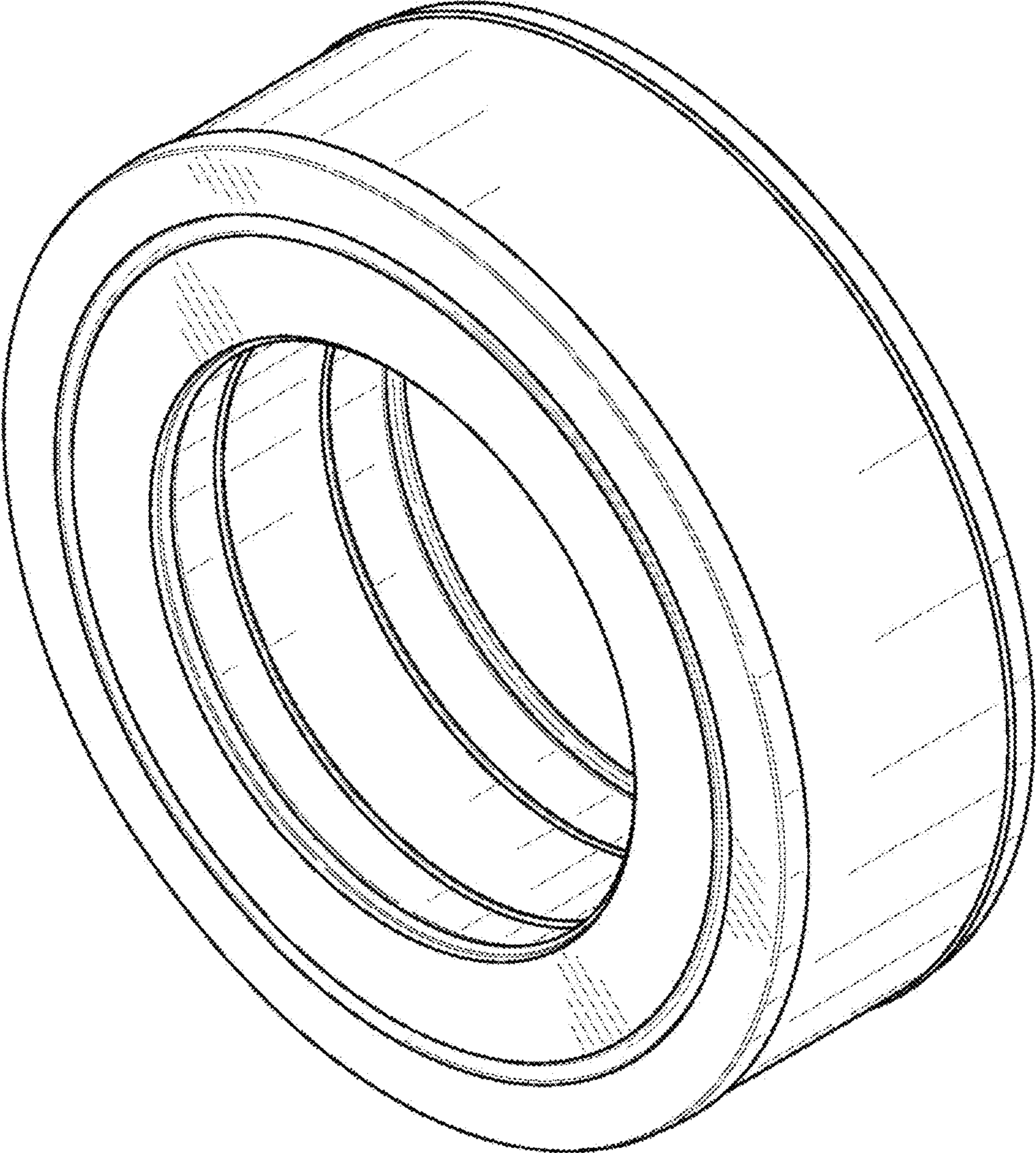
1.1



1.2



1.3



1.4

