



US00D936198S

(12) **United States Design Patent** (10) **Patent No.:** **US D936,198 S**
Eide (45) **Date of Patent:** **** Nov. 16, 2021**

(54) **OZONE PLATE FOR AN AIR PURIFICATION DEVICE**

(71) Applicant: **DBG GROUP INVESTMENTS, LLC**,
Dallas, TX (US)

(72) Inventor: **Andrew Eide**, Rockwall, TX (US)

(73) Assignee: **DBG GROUP INVESTMENTS, LLC**,
Dallas, TX (US)

(**) Term: **15 Years**

(21) Appl. No.: **29/721,679**

(22) Filed: **Jan. 22, 2020**

(51) **LOC (13) Cl.** **23-04**

(52) **U.S. Cl.**
USPC **D23/363**

(58) **Field of Classification Search**
USPC D23/332-333, 335, 352, 355-365, 369;
D5/2, 34, 56, 58, 99, 5, 8, 37
CPC B01D 46/0002; B01D 46/10; F02M 35/10;
F02M 35/04; F02M 35/024
See application file for complete search history.

(56) **References Cited**

U.S. PATENT DOCUMENTS

- D281,526 S * 11/1985 Cenefels D23/335
- D425,189 S * 5/2000 Gillingham B01D 46/0002
D23/355
- D449,100 S * 10/2001 Sundet D23/365
- D483,845 S * 12/2003 Arato D23/365
- D544,216 S * 6/2007 Prestridge D5/47
- D605,274 S * 12/2009 Kawano D23/365
- D657,513 S * 4/2012 Wildeman D32/40
- D679,792 S * 4/2013 Hollingsworth D23/365
- D688,047 S * 8/2013 Hong D5/58
- D697,722 S * 1/2014 Shanbhag D5/47
- D705,411 S * 5/2014 Enstrom D23/365
- D725,254 S * 3/2015 Roblin D23/365
- D732,153 S * 6/2015 Sanocki D23/365

- D738,999 S * 9/2015 Funnell, II B01D 46/0002
D23/365
- D831,157 S * 10/2018 Kronk B01D 39/2065
D23/209
- D831,182 S * 10/2018 Gregerson B01D 46/0005
D23/365
- D835,769 S * 12/2018 Yamaguchi D23/365
- D841,340 S * 2/2019 Chadwick D5/54
- D875,909 S * 2/2020 Gregerson D23/365
- D906,503 S * 12/2020 Rubin D23/365
- D914,864 S * 3/2021 Roblin D23/365

(Continued)

FOREIGN PATENT DOCUMENTS

CN 305511159 * 1/2019

OTHER PUBLICATIONS

Echo Ozone Plate found on Jul. 16, 2021 at <https://www.amazon.com/Ozone-Plates-Ecoquest-Living-Alpine/dp/B002YPGRO2/> (Year: 2014).*

(Continued)

Primary Examiner — Karen S Acker
Assistant Examiner — Jonathan E Fiencke
(74) *Attorney, Agent, or Firm* — Workman Nydegger

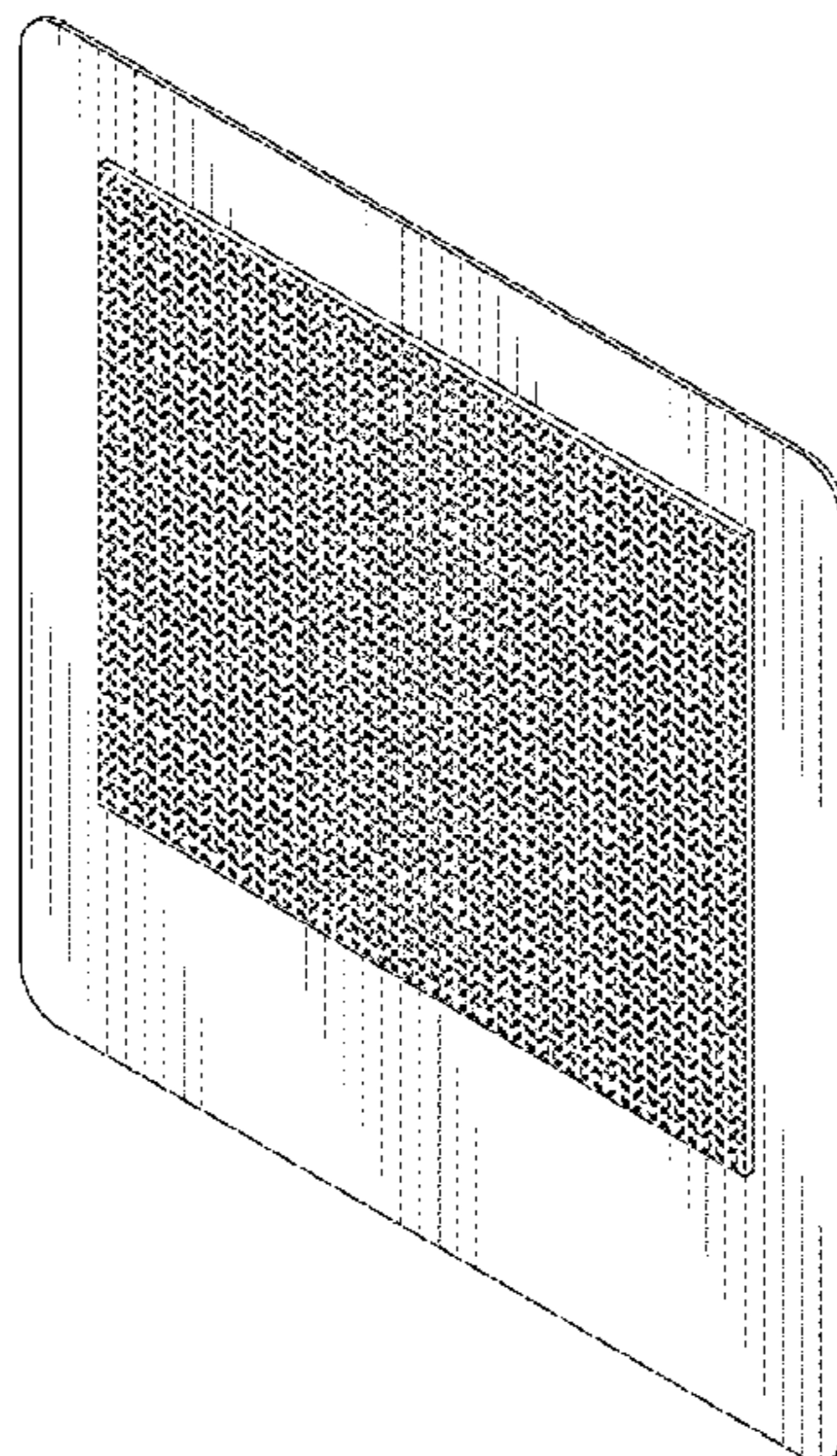
(57) **CLAIM**

The ozone plate for an air purification device, as shown and described.

DESCRIPTION

FIG. 1 illustrates a perspective view of an ozone plate showing the new design;
FIG. 2 illustrates a front elevation view thereof;
FIG. 3 illustrates a rear elevation view thereof;
FIG. 4 illustrates a top plan view thereof;
FIG. 5 illustrates a bottom plan view thereof;
FIG. 6 illustrates a right side elevation view thereof; and,
FIG. 7 illustrates a left side elevation view thereof.

1 Claim, 3 Drawing Sheets



(56)

References Cited

U.S. PATENT DOCUMENTS

2005/0284116 A1* 12/2005 Duffy B01D 46/521
55/497
2017/0274313 A1* 9/2017 Wall B01D 46/2414
2018/0361291 A1* 12/2018 Tenda B01D 46/0002
2019/0015768 A1* 1/2019 Aiderman B01D 46/521
2019/0046909 A1* 2/2019 Haas B01D 46/0002
2019/0247775 A1* 8/2019 Schuld B01D 46/0002
2020/0139381 A1* 5/2020 Hu B03C 3/64
2021/0162331 A1* 6/2021 Oelsner B01D 39/2065
2021/0187425 A1* 6/2021 Gregerson B01D 46/0005

OTHER PUBLICATIONS

Ivation Ozone Plate found on Jul. 2, 2021 at <https://www.amazon.com/Ivation-Replacement-IVAOZAP04-Purifier-Generator/dp/B07B3YPYV8/> (Year: 2019).*

Odorstop Ozone Plate found on Jul. 2, 2021 at <https://www.amazon.com/OdorStop-Ceramic-Plates-Generators-3-Pack/dp/B01LX2K4CH/> (Year: 2014).*

* cited by examiner

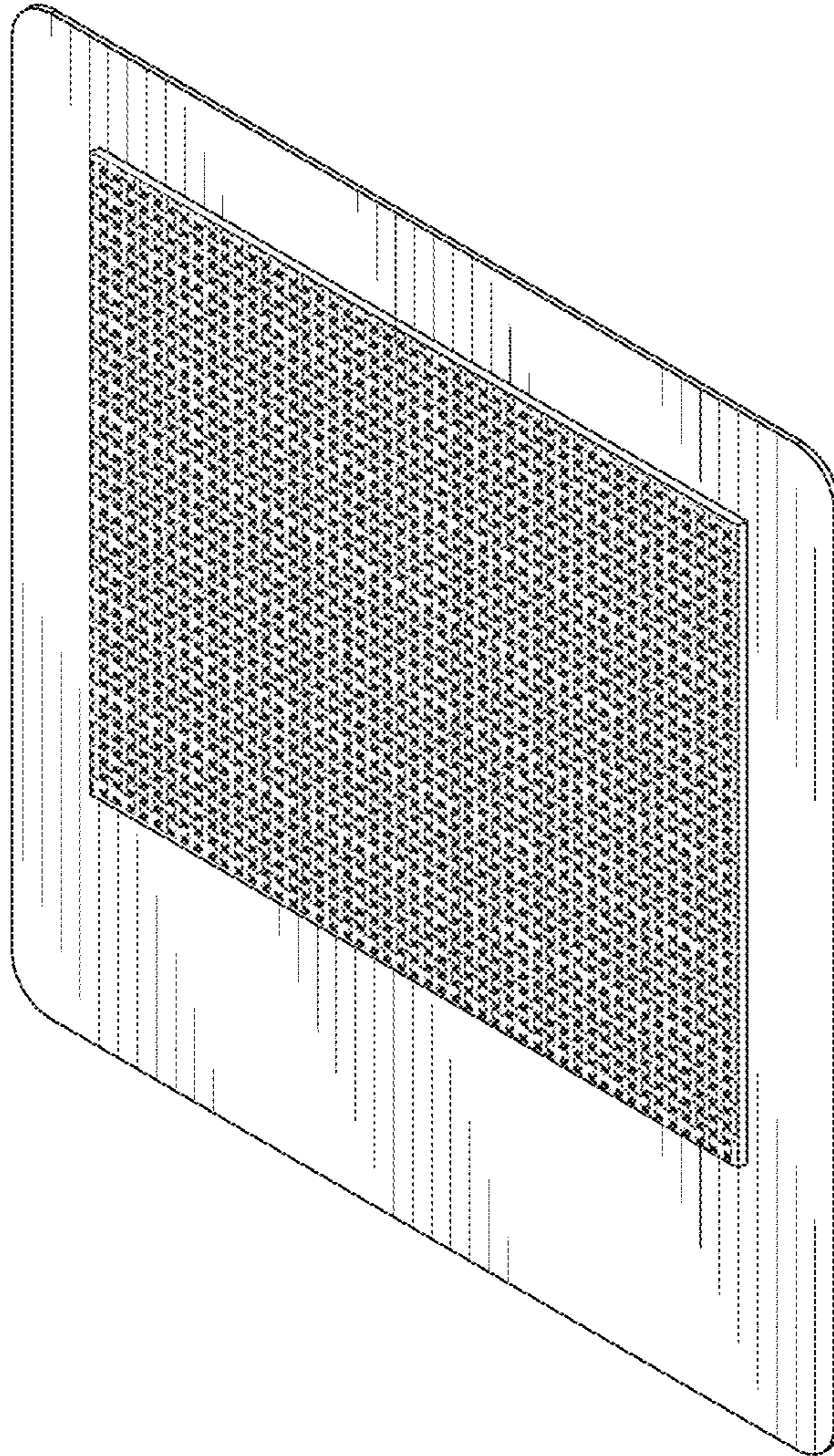


FIG. 1

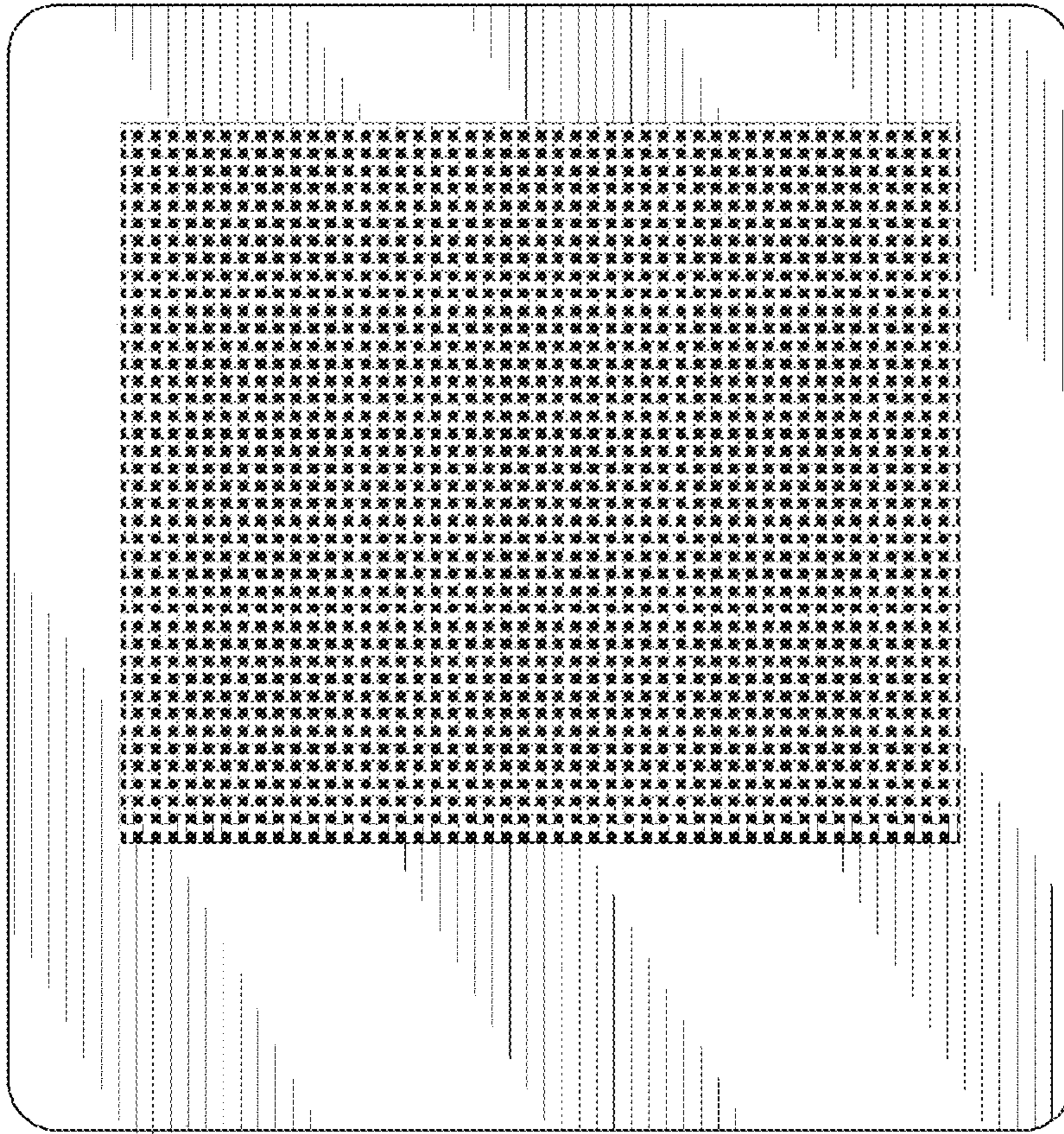


FIG. 2

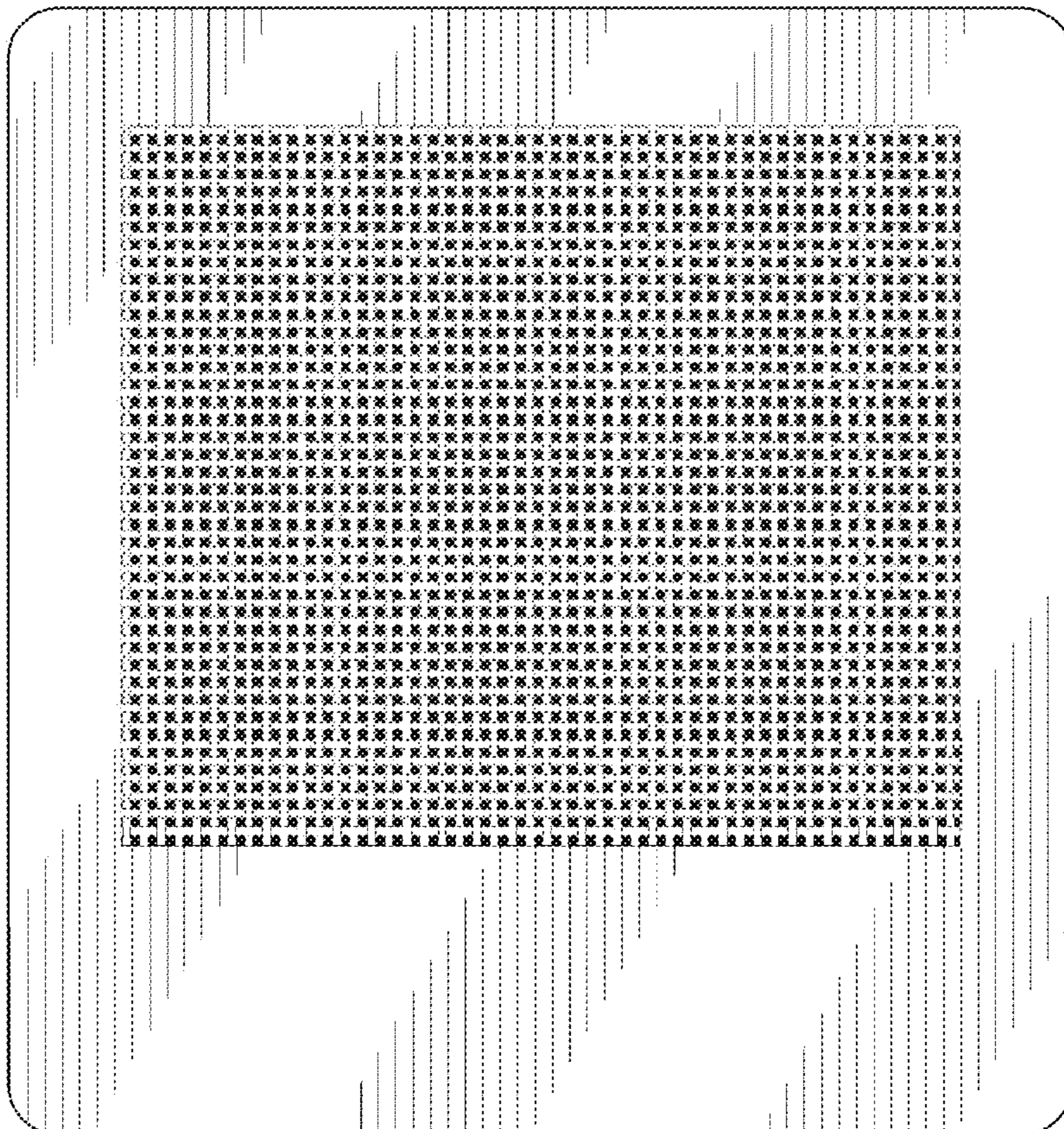


FIG. 3



FIG. 4

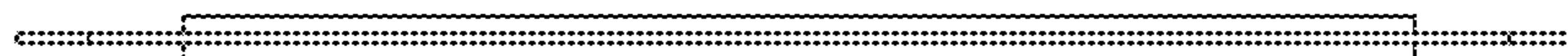


FIG. 5

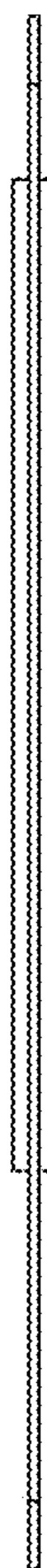


FIG. 6



FIG. 7