



US00D936196S

(12) **United States Design Patent** (10) **Patent No.:** **US D936,196 S**
Xu (45) **Date of Patent:** **** Nov. 16, 2021**

(54) **HUMIDIFIER**
(71) Applicant: **ShenZhen TopSharp Precision Electronics Co., Ltd., Shenzhen (CN)**
(72) Inventor: **Wenlong Xu, Shenzhen (CN)**
(73) Assignee: **SHENZHEN TOPSHARP PRECISION ELECTRONICS CO., LTD., Shenzhen (CN)**

D906,500 S * 12/2020 Seo A61M 16/16
D23/356
D912,791 S * 3/2021 Herweck D23/355
D916,262 S * 4/2021 Wang B01D 67/0095
D23/356
2002/0058003 A1* 5/2002 Falkman A61L 9/16
422/275

(Continued)

FOREIGN PATENT DOCUMENTS

KR 301077892.0000 * 11/2019

OTHER PUBLICATIONS

Carefusion found on Jun. 16, 2021 at <https://www.healthproductsforyou.com/p-cardinal-health-airlife-empty-nebulizer.html> (Year: 2019).*

Primary Examiner — Karen S Acker
Assistant Examiner — Jonathan E. Fiencke

(**) Term: **15 Years**
(21) Appl. No.: **29/721,016**
(22) Filed: **Jan. 17, 2020**

(30) **Foreign Application Priority Data**
Aug. 2, 2019 (CN) 201930418768.4
(51) **LOC (13) Cl.** **23-04**
(52) **U.S. Cl.**
USPC **D23/356**
(58) **Field of Classification Search**
USPC D23/332-333, 335, 352, 355-365, 369
CPC .. A61L 9/16; A61L 9/22; B01D 47/00; B01D
47/027; B01D 2221/02; B01D 2259/4508;
F24F 3/16; F24F 13/28
See application file for complete search history.

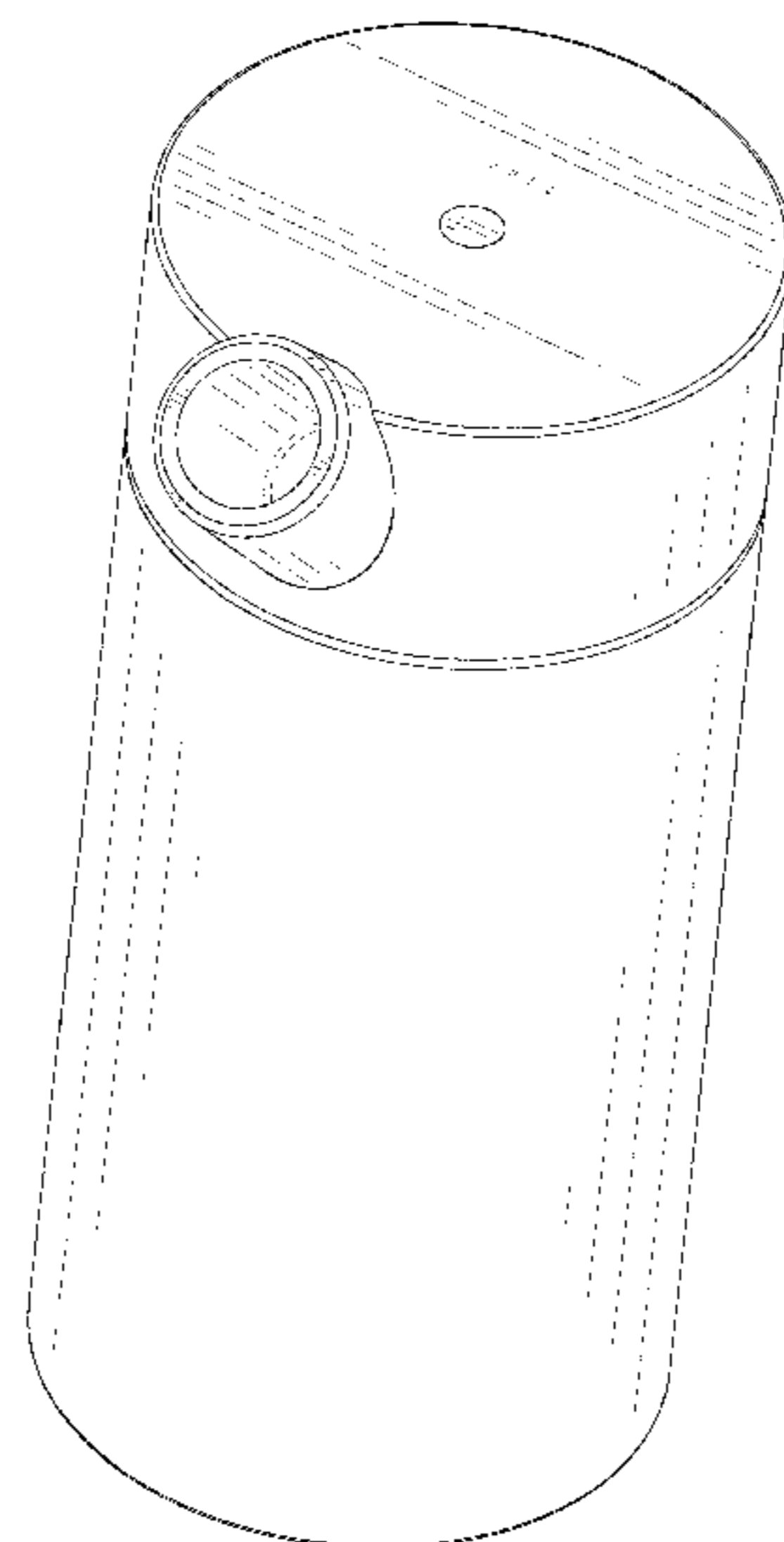
(57) **CLAIM**
The ornamental design for a humidifier, as shown and described.

DESCRIPTION

FIG. 1 is a perspective view of a humidifier showing my new design;
FIG. 2 is another perspective view thereof;
FIG. 3 is a front elevational view thereof;
FIG. 4 is a rear elevational view thereof;
FIG. 5 is a left side elevational view thereof;
FIG. 6 is a right side elevational view thereof;
FIG. 7 is a top plan view thereof; and,
FIG. 8 is a bottom plan view thereof.
The broken lines in the drawings depict portions of the humidifier that form no part of the claimed design. The oblique shading lines in the FIGS. 2 and 4 are included to denote the transparent quality of surface planes on the humidifier.

(56) **References Cited**
U.S. PATENT DOCUMENTS
D402,024 S * 12/1998 Dudley D23/365
6,050,552 A * 4/2000 Loescher A61M 16/16
128/203.26
6,189,870 B1 * 2/2001 Withall A61M 16/16
128/203.12
D482,767 S * 11/2003 Dudley D23/365
D496,720 S * 9/2004 Dudley D15/5
D504,943 S * 5/2005 Dudley D15/5
D847,323 S * 4/2019 Gan D23/356
D849,218 S * 5/2019 Liang A61M 16/16
D23/356

1 Claim, 8 Drawing Sheets



(56)

References Cited

U.S. PATENT DOCUMENTS

2021/0154624 A1* 5/2021 Oh B01D 67/0095

* cited by examiner

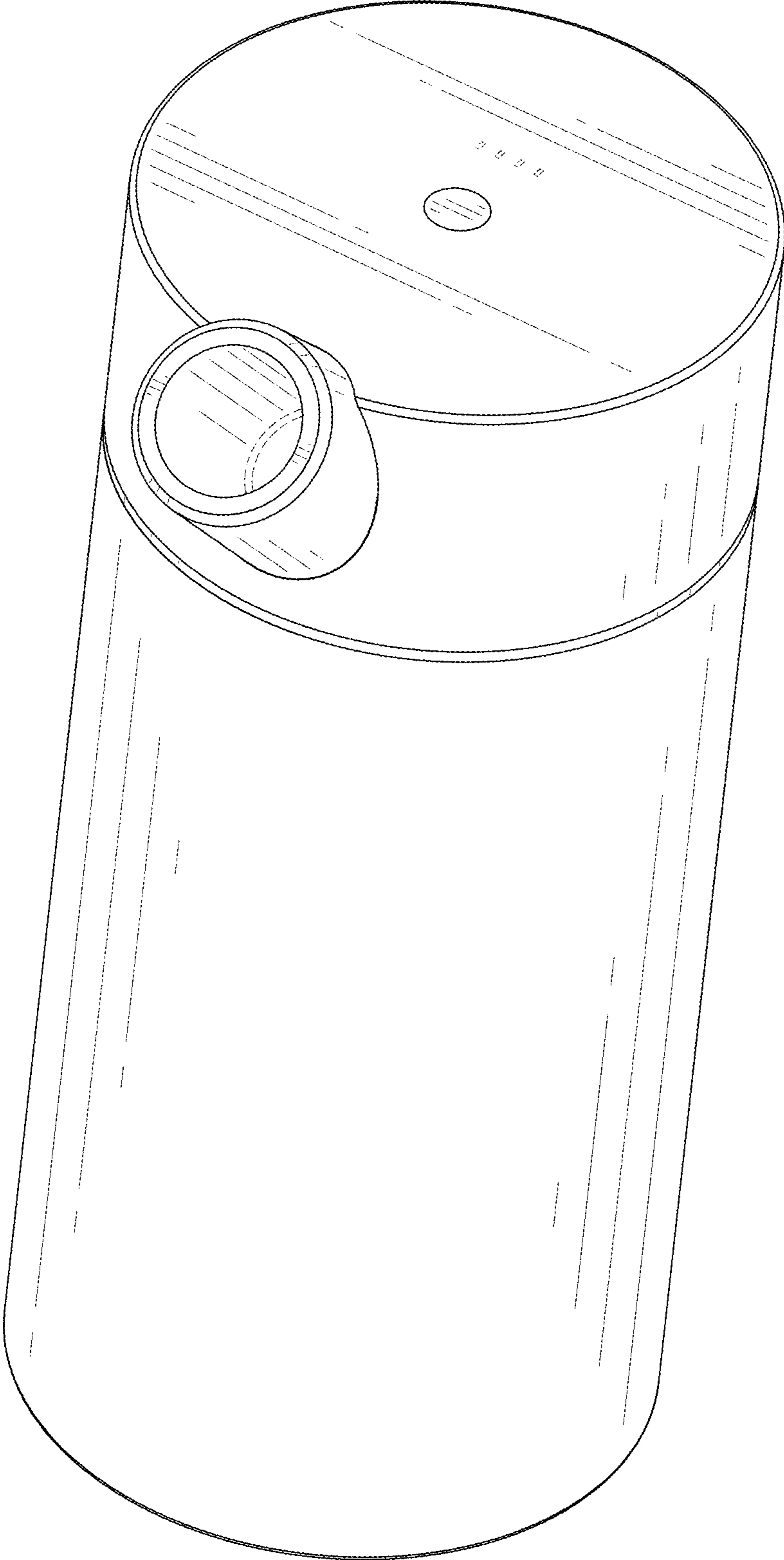


FIG. 1

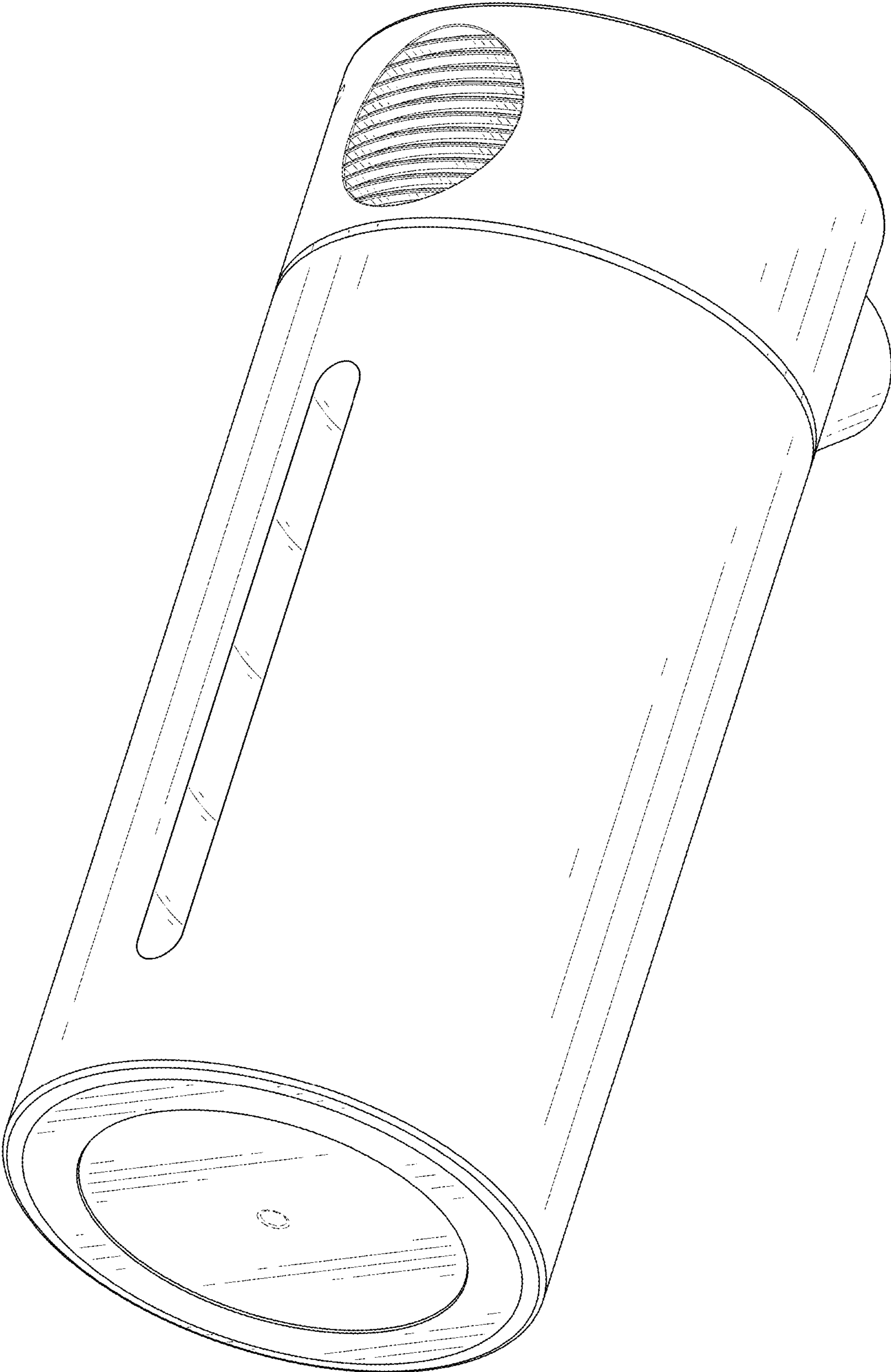


FIG. 2

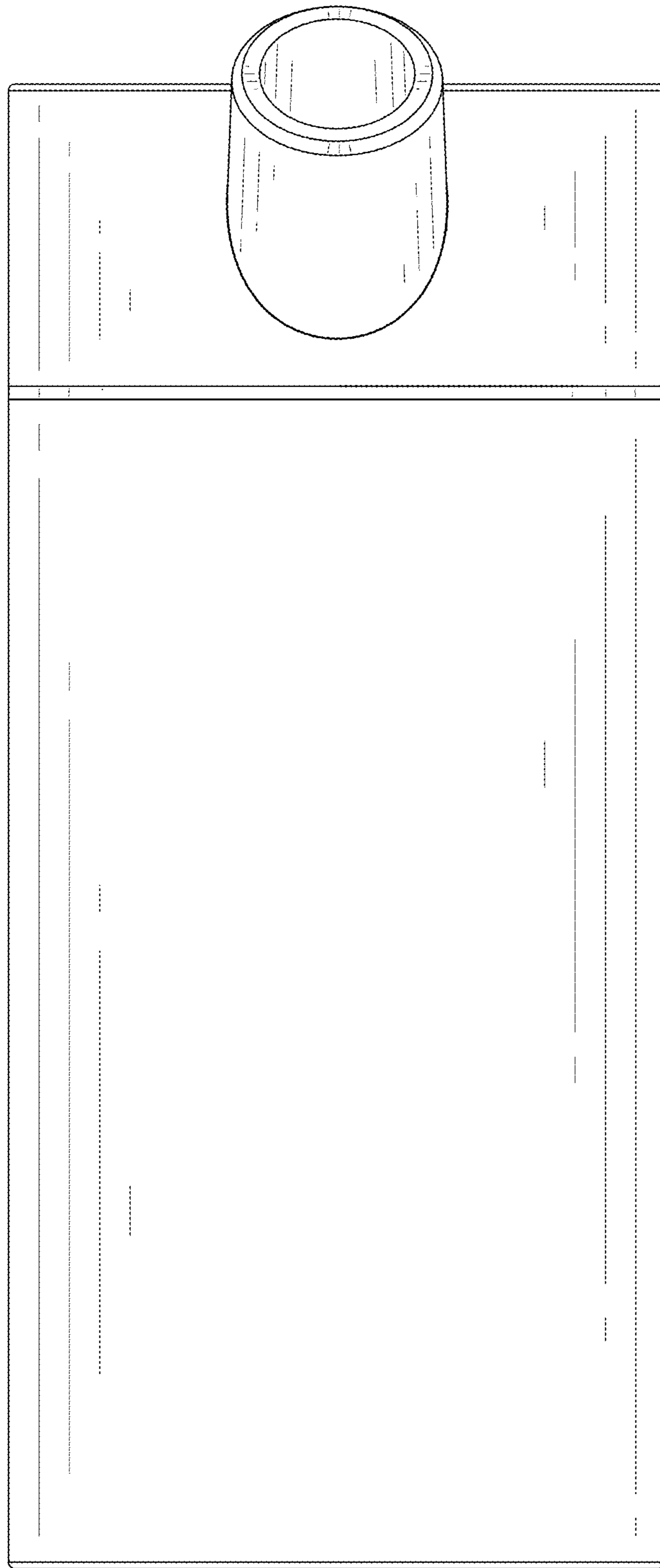


FIG. 3

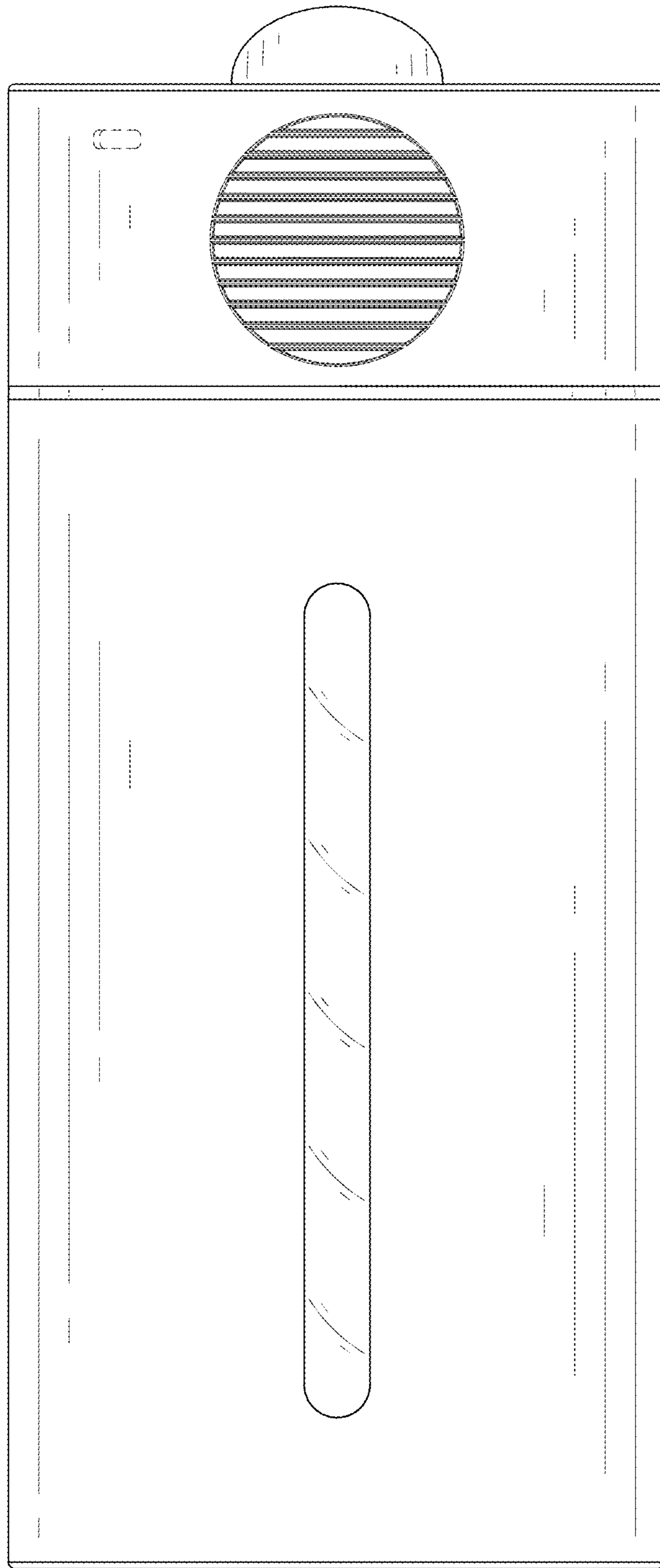


FIG. 4

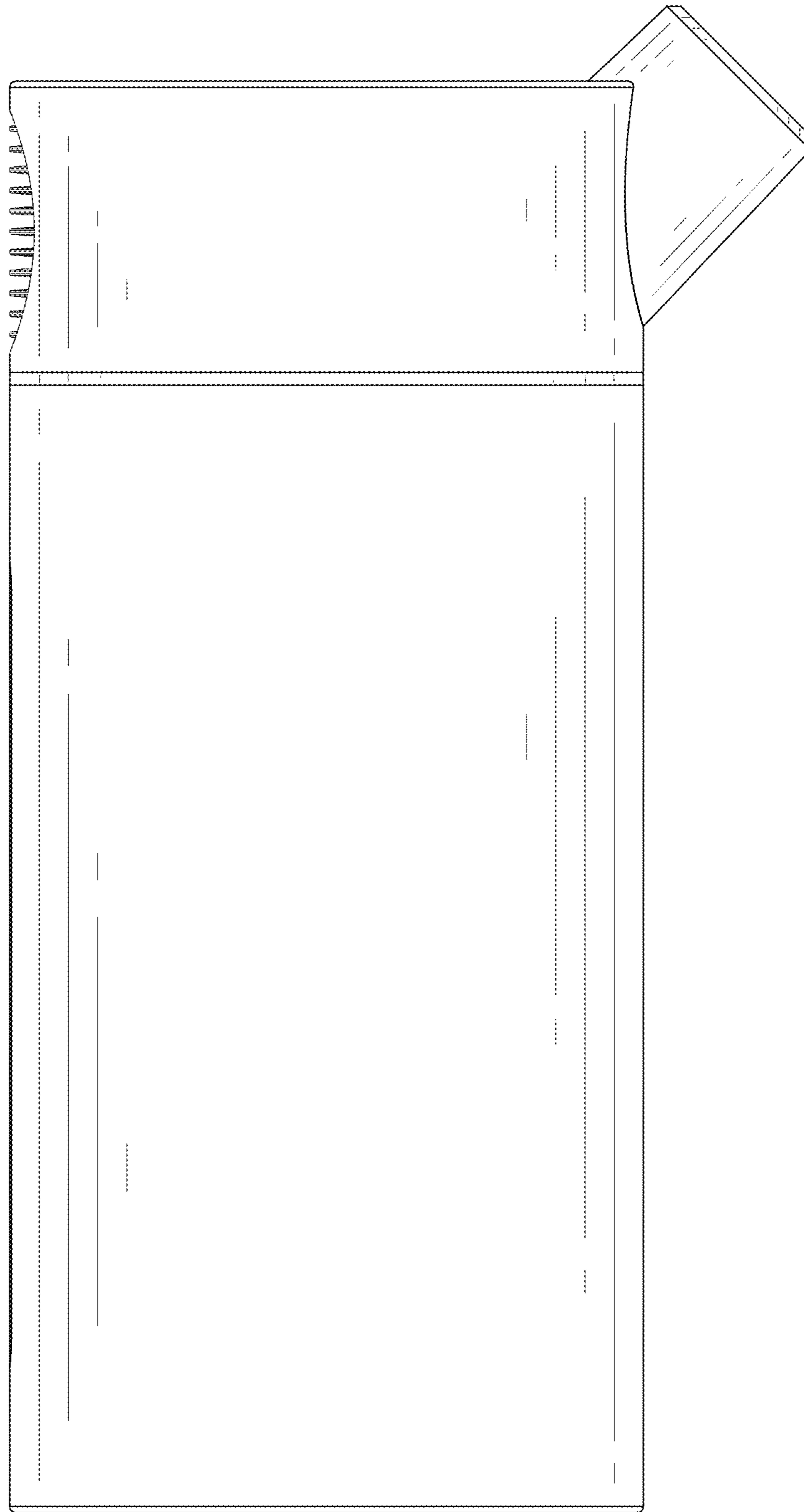


FIG. 5

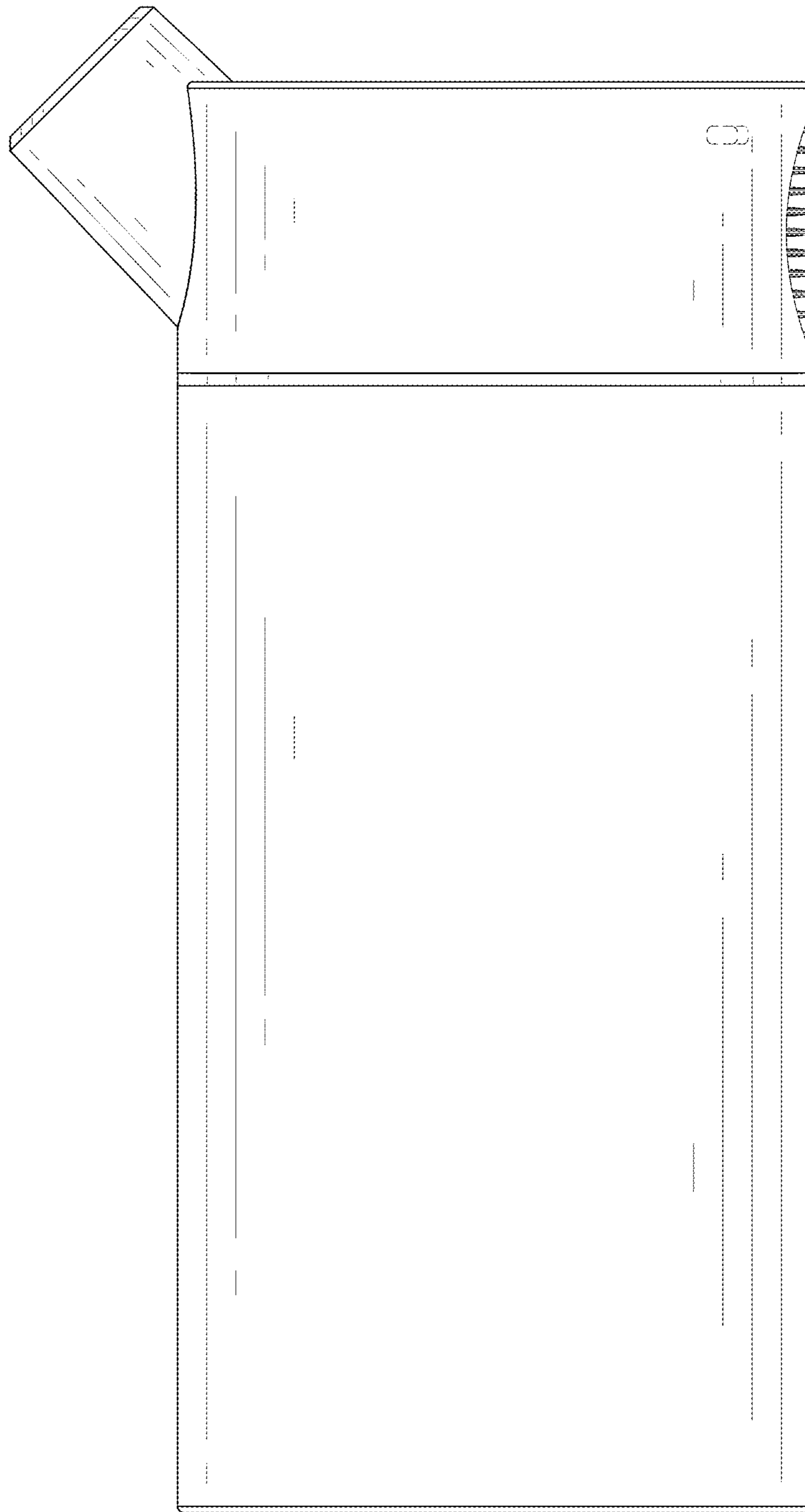


FIG. 6

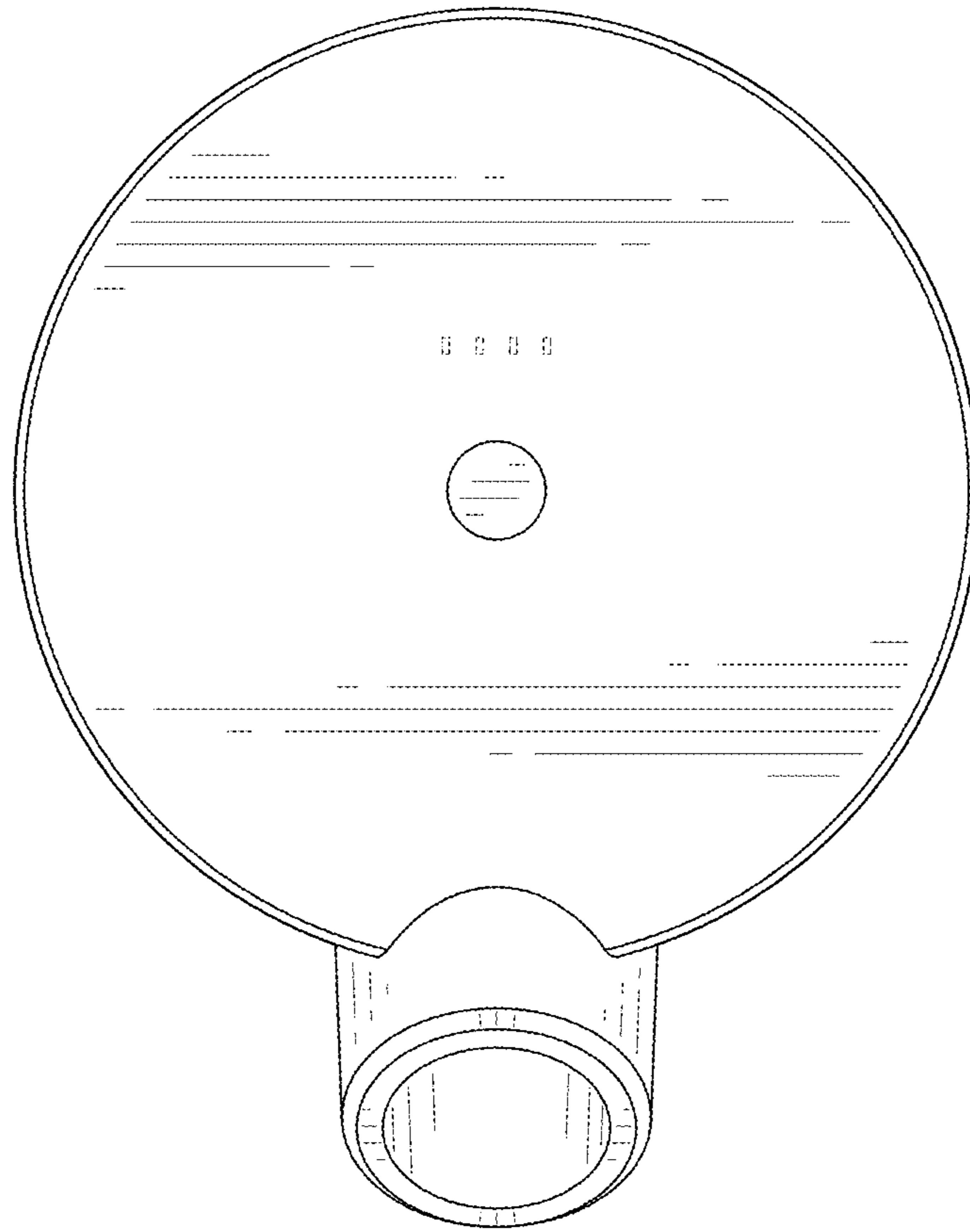


FIG. 7

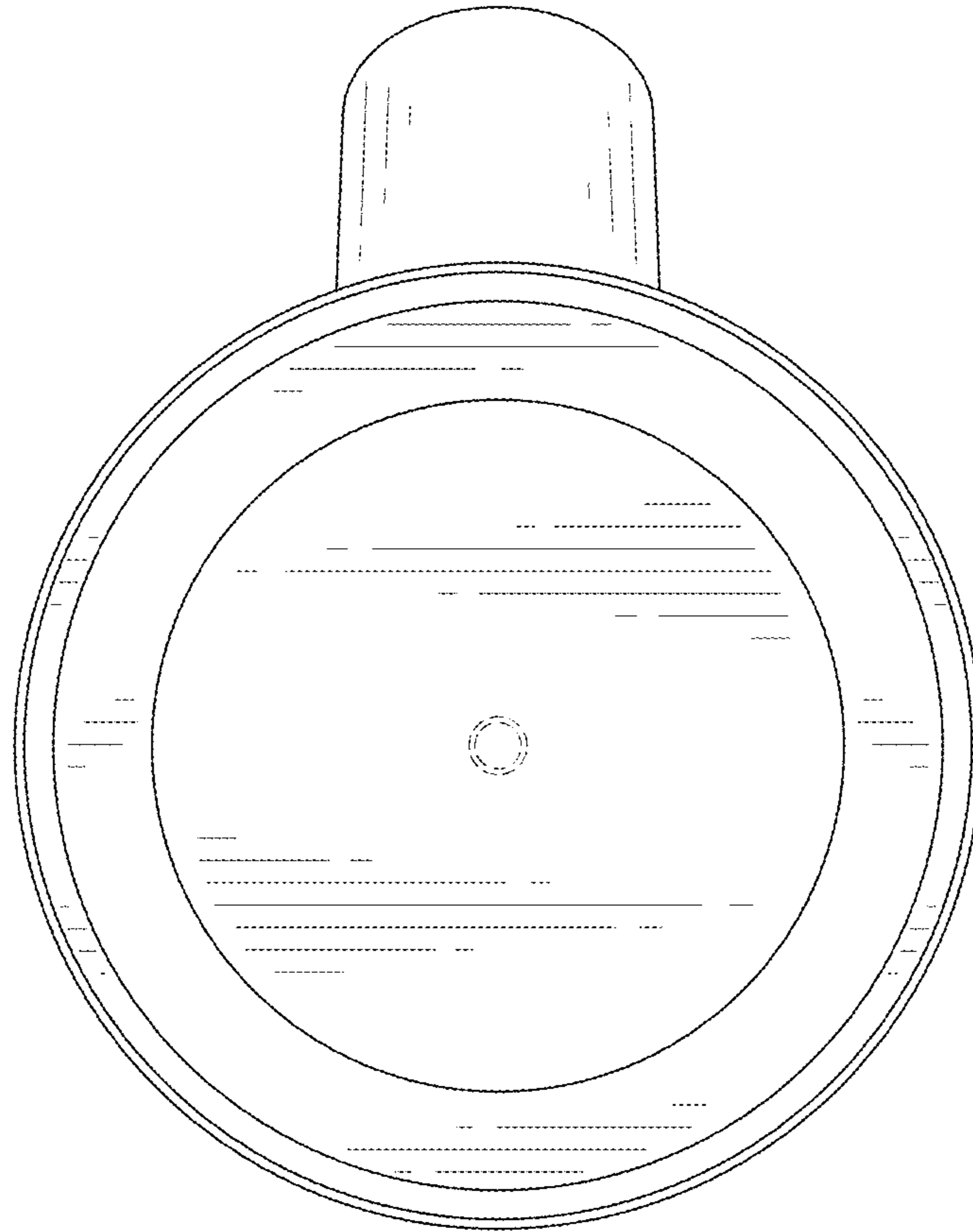


FIG. 8