



US00D936195S

(12) **United States Design Patent** (10) **Patent No.:** **US D936,195 S**
Muderlak (45) **Date of Patent:** **** Nov. 16, 2021**

(54) **DISPENSER**

(71) Applicant: **Xela Innovations, LLC**, Glendale, WI (US)

(72) Inventor: **Todd J. Muderlak**, Whitefish Bay, WI (US)

(73) Assignee: **Xela Innovations, LLC**, Glendale, WI (US)

(**) Term: **15 Years**

(21) Appl. No.: **29/710,795**

(22) Filed: **Oct. 25, 2019**

(51) **LOC (13) Cl.** **23-04**

(52) **U.S. Cl.**
USPC **D23/355; D23/366**

(58) **Field of Classification Search**
USPC D23/209, 355, 356, 358, 359, 360, 364, D23/365, 366, 367; D14/133, 134, 165, D14/168, 188, 497
CPC . A61L 9/03; A61L 9/012; A61L 9/015; A61L 9/037
See application file for complete search history.

(56) **References Cited**

U.S. PATENT DOCUMENTS

4,166,087 A	8/1979	Cline et al.
4,383,951 A	5/1983	Palson
4,931,258 A	6/1990	Zlotnik et al.
5,114,625 A	5/1992	Gibson
5,249,718 A	10/1993	Muderlak
5,297,734 A	3/1994	Toda
5,449,117 A	9/1995	Muderlak et al.
5,657,926 A	8/1997	Toda
5,673,825 A	10/1997	Chen
6,039,212 A	3/2000	Singh
6,293,474 B1	9/2001	Helf et al.
6,341,732 B1	1/2002	Martin et al.
6,450,419 B1	9/2002	Martens, III et al.

D468,715 S *	1/2003	Cuvelier	D14/168
7,157,057 B2	1/2007	Gohil		
7,244,398 B2	7/2007	Kotary et al.		
7,389,943 B2	6/2008	Jaworski		
7,469,844 B2	12/2008	Conway et al.		
D611,132 S *	3/2010	Borgi	D23/355
7,691,336 B2	4/2010	Westring		
D617,435 S *	6/2010	Lou	D23/355

(Continued)

FOREIGN PATENT DOCUMENTS

DE	9402313	3/1994
EP	0365770	5/1990

(Continued)

OTHER PUBLICATIONS

Purleve Dispenser reference [Aug. 20, 2021] found online [Aug. 20, 2021]—<https://www.purleve.com/air-care-systems-home-page/>.*

(Continued)

Primary Examiner — John A Voytek
(74) *Attorney, Agent, or Firm* — SmithAmundsen LLC

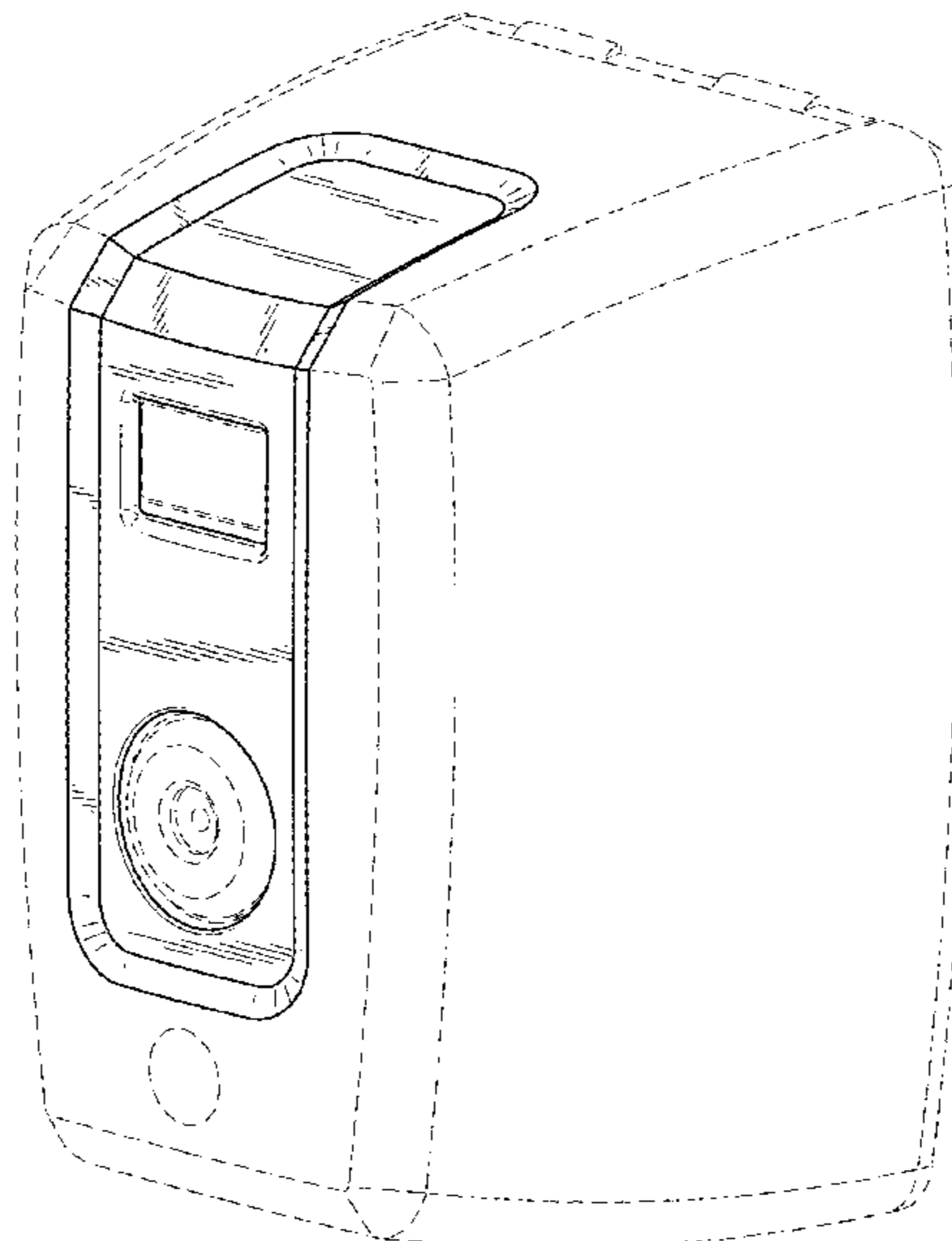
(57) **CLAIM**

The ornamental design for a dispenser, as shown and described.

DESCRIPTION

FIG. 1 is a perspective view of the dispenser; FIG. 2 is a front elevational view of the dispenser; FIG. 3 is a rear elevational view of the dispenser; FIG. 4 is a bottom view of the dispenser; FIG. 5 is a top view of the dispenser; and, FIG. 6 is a right side elevational view of the dispenser; the left side being a mirror image thereof. The features shown in broken lines in FIGS. 1-6 illustrate environmental features that form no part of the claimed design.

1 Claim, 6 Drawing Sheets



(56)

References Cited

U.S. PATENT DOCUMENTS

7,922,104 B2 4/2011 Zlotnik et al.
 8,157,188 B2 4/2012 Duston et al.
 D682,409 S * 5/2013 Bartolucci D23/366
 D686,655 S * 7/2013 Aries D18/34.5
 D707,339 S * 6/2014 Garbusi D23/366
 8,889,082 B2 11/2014 Muderak et al.
 8,931,713 B2 1/2015 Muderlak et al.
 D790,466 S * 6/2017 Lin D13/112
 9,827,343 B2 11/2017 Lima et al.
 D861,146 S * 9/2019 Dingle D23/359
 D873,672 S * 1/2020 Park D9/687
 D910,808 S * 2/2021 Russell D23/202
 D918,368 S * 5/2021 Wheeler D23/364
 D921,900 S * 6/2021 Verma D24/164
 11,089,915 B2 * 8/2021 Muderlak A47K 5/1217
 2004/0226962 A1 11/2004 Mazursky et al.
 2004/0265189 A1 12/2004 Schwarz
 2005/0002834 A1 1/2005 Gohil
 2005/0087260 A1 4/2005 Marszalec et al.
 2005/0285538 A1 12/2005 Jaworski et al.
 2006/0153744 A1 * 7/2006 Thompson A61L 9/122
 422/122
 2006/0163376 A1 7/2006 Lakatos et al.
 2006/0180143 A1 8/2006 Lind et al.
 2007/0036673 A1 2/2007 Selander
 2007/0235555 A1 10/2007 Helf et al.
 2008/0060119 A1 3/2008 Pinizzotto
 2008/0173705 A1 7/2008 Girard et al.

2009/0151061 A1 6/2009 Chen
 2010/0147972 A1 6/2010 Lakatos et al.
 2011/0253819 A1 * 10/2011 Aries B02C 23/04
 241/100
 2012/0187217 A1 7/2012 Maget et al.
 2013/0034444 A1 2/2013 Muderlak et al.
 2014/0064713 A1 3/2014 Niemiec et al.
 2014/0115767 A1 * 5/2014 Muderlak A61L 2/18
 4/226.1
 2018/0043048 A1 2/2018 Sidawi et al.
 2018/0304288 A1 10/2018 Casper et al.
 2021/0121024 A1 4/2021 Muderlak et al.

FOREIGN PATENT DOCUMENTS

EP	2113259	11/2009
EP	2564878	3/2013
WO	2012/175972	12/2012
WO	2013/063690	5/2013

OTHER PUBLICATIONS

PCT/US2019/058171 International Search Report and Written Opinion of the International Searching Authority dated Jul. 22, 2020 (14 pages).
 Final Office Action from the US Patent and Trademark Office for U.S. Appl. No. 16/664,148 dated Feb. 8, 2021 (8 pages).
 Office Action from the US Patent and Trademark Office for U.S. Appl. No. 16/664,148 dated Sep. 21, 2020 (8 pages).

* cited by examiner

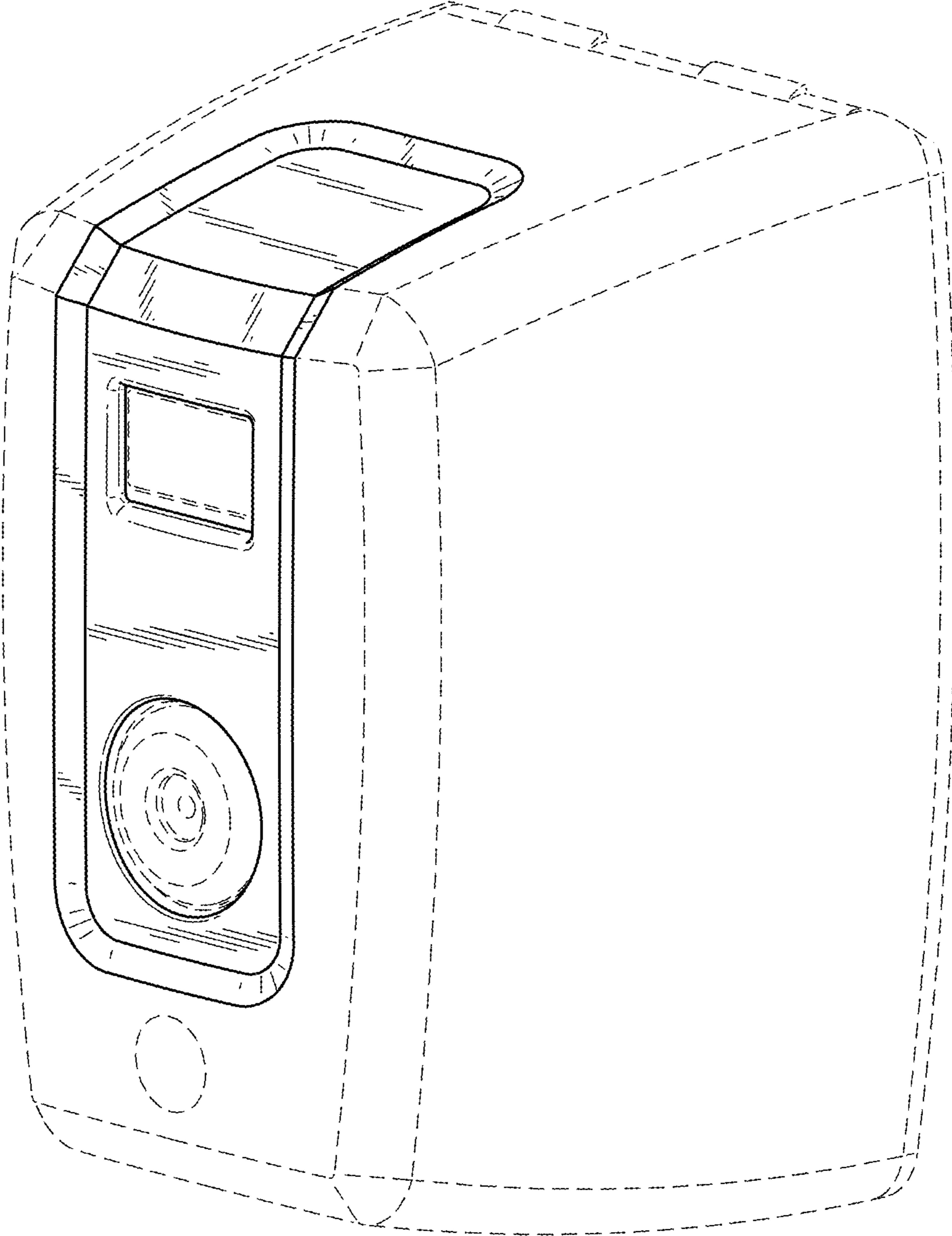


FIG. 1

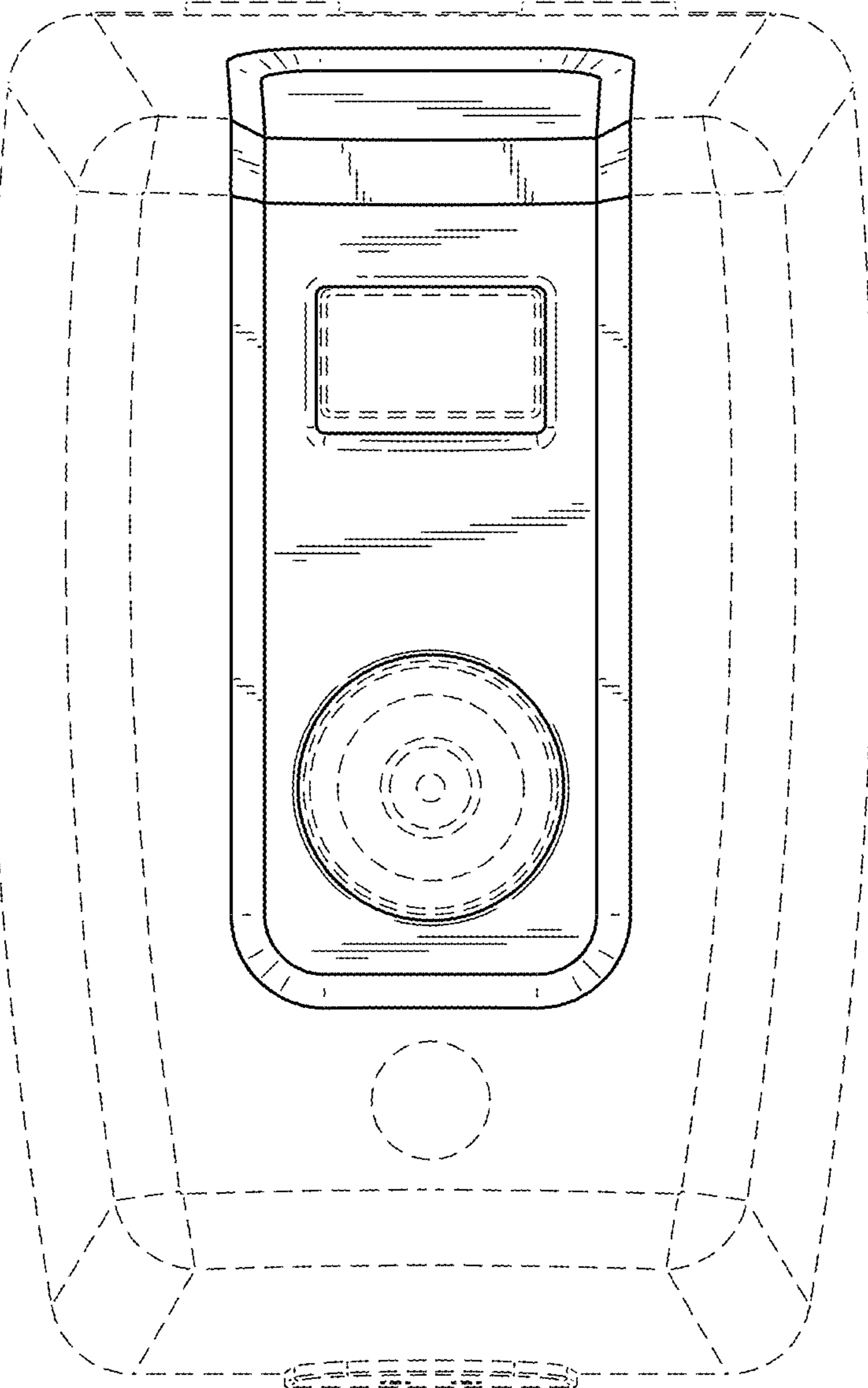


FIG. 2

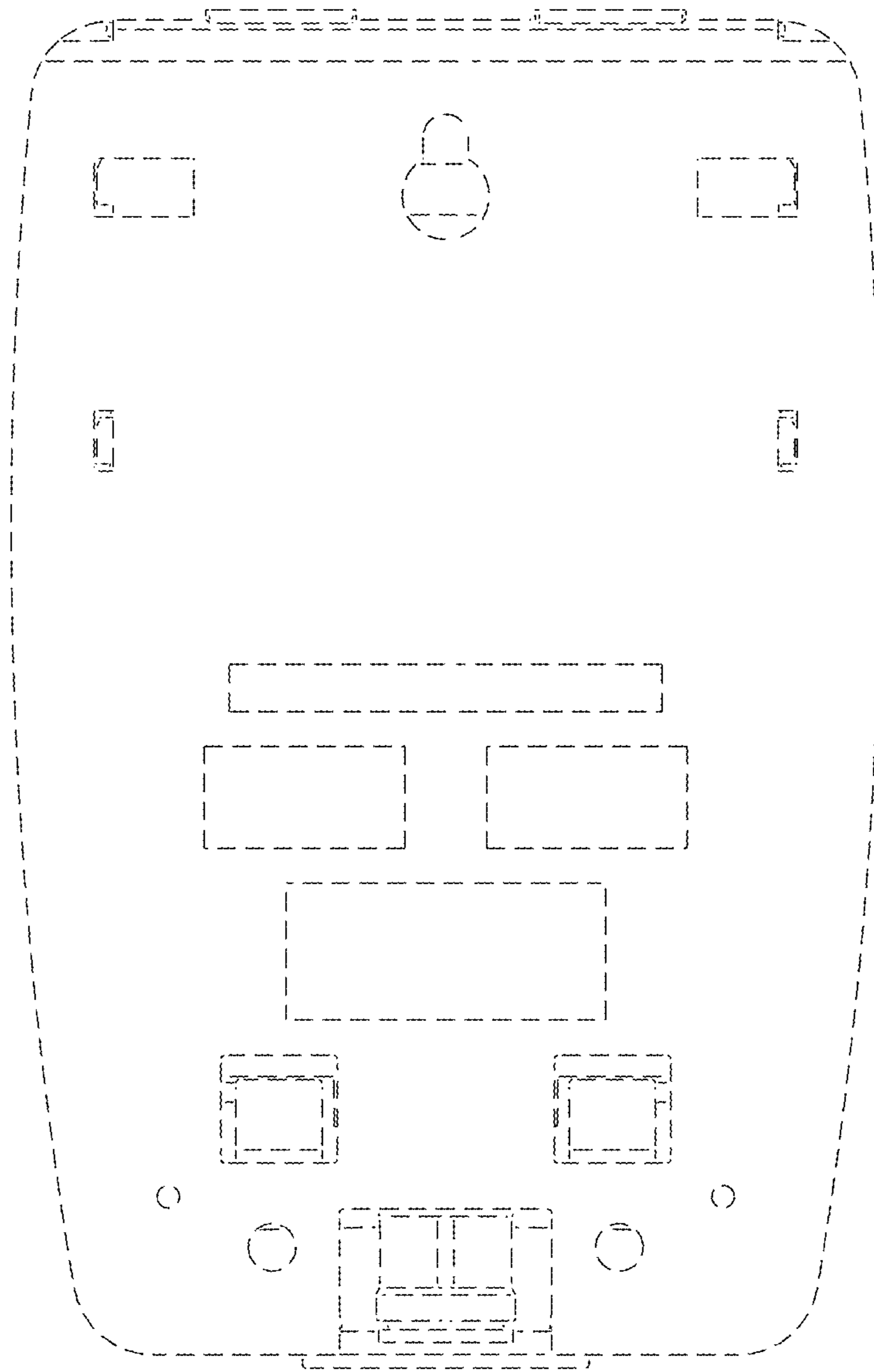


FIG. 3

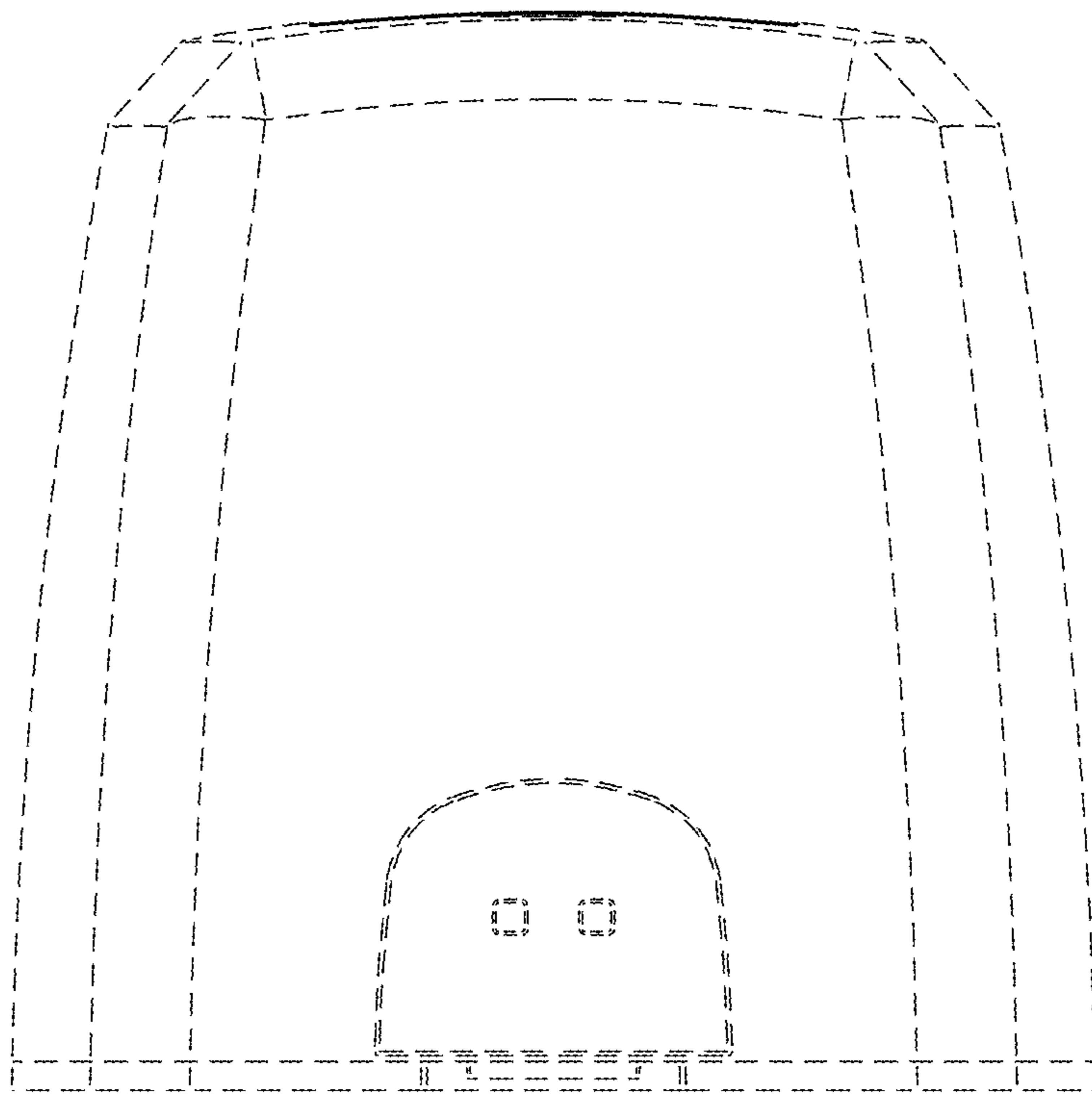


FIG. 4

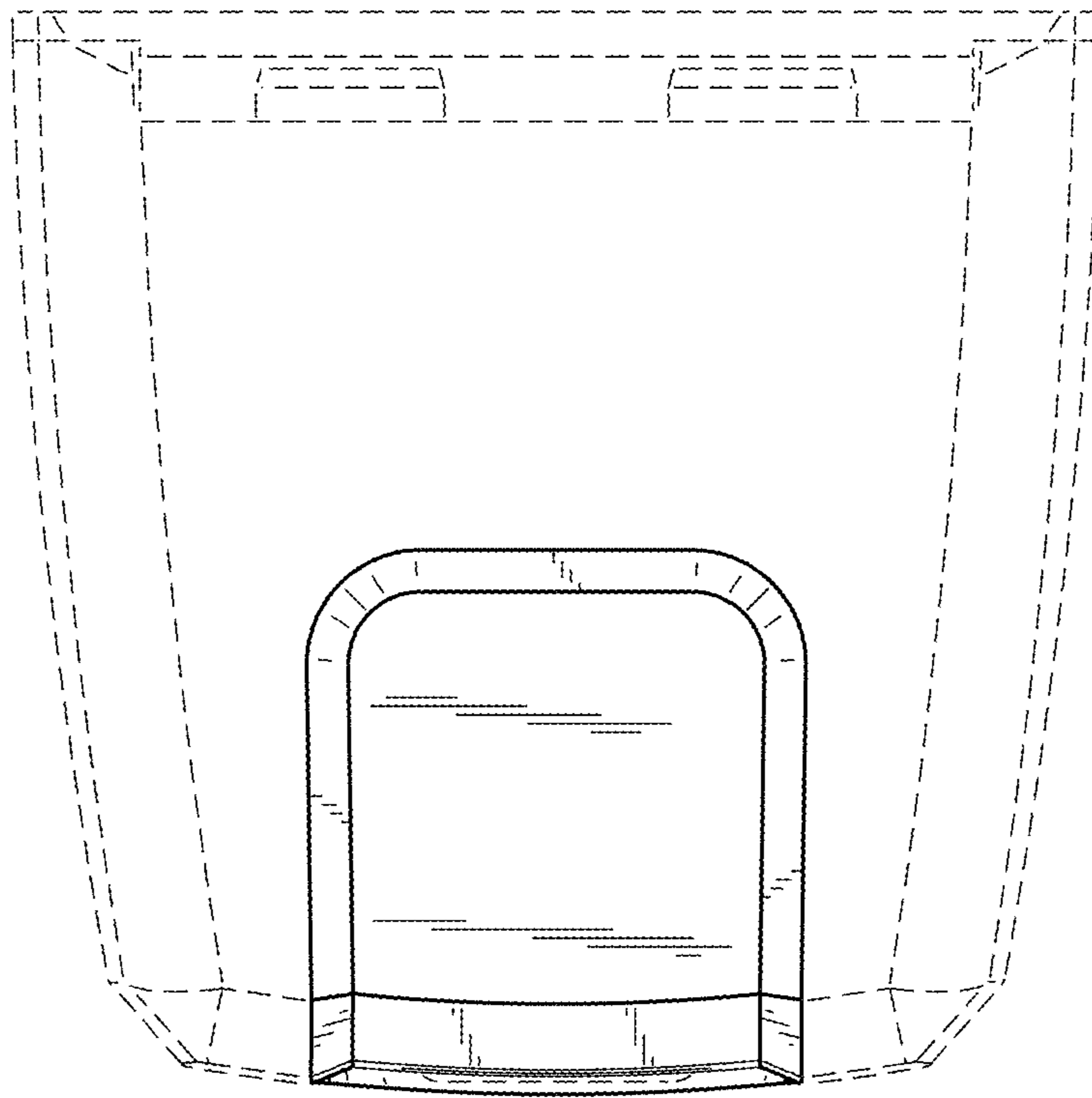


FIG. 5

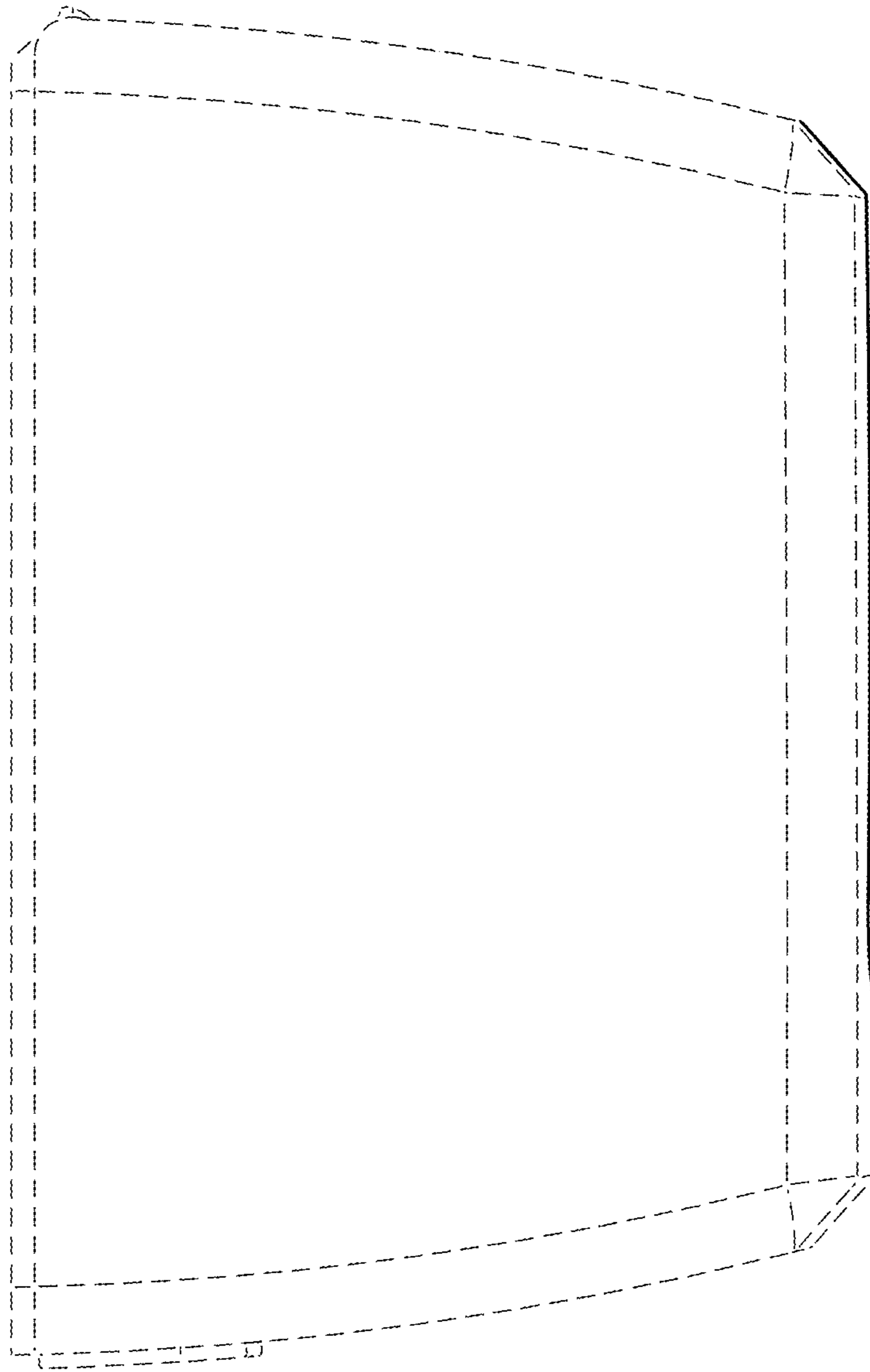


FIG. 6